



US00D778547S

(12) **United States Design Patent** (10) **Patent No.:** **US D778,547 S**  
**Sunness et al.** (45) **Date of Patent:** **\*\* Feb. 14, 2017**

(54) **CURVED THICK HAT BRIM**

FOREIGN PATENT DOCUMENTS

(71) Applicant: **ThiiK LLC**, Scarsdale, NY (US)

KR 200451806 1/2011

(72) Inventors: **Brooke Danielle Sunness**, Scarsdale, NY (US); **Bob Robert Sunness**, Scarsdale, NY (US); **Alex John Monroe**, Toms River, NJ (US)

OTHER PUBLICATIONS

Sunness, Brooke Danielle; U.S. Patent Application entitled: Hat With Thick Brim Face having U.S. Appl. No. 14/745,807, filed Jun. 22, 2015, 42 pgs.

(73) Assignee: **THIIK LLC**, Scarsdale, NY (US)

(Continued)

(\*\*) Term: **15 Years**

*Primary Examiner* — Karen E. Eldridge Powers

*Assistant Examiner* — Jasmine Mlinarcik

(21) Appl. No.: **29/526,981**

(74) *Attorney, Agent, or Firm* — Taylor English Duma LLP

(22) Filed: **May 14, 2015**

(51) **LOC (10) Cl.** ..... **02-03**

(52) **U.S. Cl.**

USPC ..... **D2/893**

(58) **Field of Classification Search**

USPC ..... D2/865, 866, 872, 876, 878, 879, 882, D2/883, 884, 886, 887, 888, 891, 892, 893, 895

CPC ..... A42B 1/00; A42B 1/004; A42B 1/006; A42B 1/02; A42B 1/062; A42B 1/066; A42B 1/20; A42B 1/201; A42B 1/22; A42B 1/24; A42B 1/248; A42C 5/02; A42C 5/04

See application file for complete search history.

(57) **CLAIM**

We claim the ornamental design for a curved thick hat brim, as shown and described.

**DESCRIPTION**

FIG. 1 is a perspective view of the claimed design. FIG. 2 is a front elevation view thereof. FIG. 3 is a rear elevation view thereof. FIG. 4 is a left-side elevation view thereof. FIG. 5 is a right-side elevation view thereof. FIG. 6 is a top plan view thereof. FIG. 7 is a bottom plan view thereof; and, FIG. 8 is a perspective view of the claimed design as worn by a user in one embodiment.

The features shown in broken lines, including the broken-line text on the brim, the rows of broken lines on the top surface of the brim, and the cap portion of the hat, illustrate environmental structure that forms no part of the claimed design. In FIG. 8, the broken lines illustrating a person are included to assist in showing how the design may appear when worn and form no part of the claimed design.

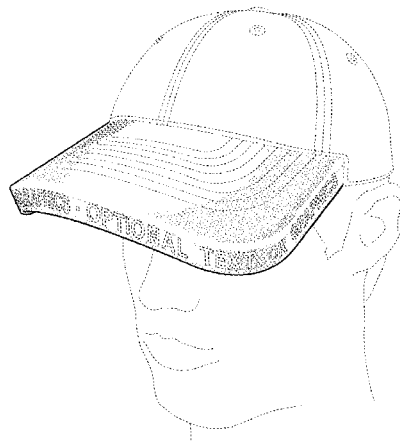
(56) **References Cited**

U.S. PATENT DOCUMENTS

2,088,930 A 8/1937 Schwarz  
3,346,876 A \* 10/1967 Hutton ..... A42B 1/062  
2/10  
4,914,755 A 4/1990 Motley  
4,982,449 A 1/1991 Finkelstein  
D384,793 S \* 10/1997 Brown ..... D2/866  
5,701,607 A 12/1997 Kaiser  
5,704,070 A 1/1998 Stogner  
D401,738 S \* 12/1998 Scerbo ..... D2/882  
D405,239 S \* 2/1999 Kostinko ..... D2/882  
5,865,333 A \* 2/1999 Wolfe ..... A42B 1/004  
206/8

(Continued)

**1 Claim, 5 Drawing Sheets**



(56)

References Cited

U.S. PATENT DOCUMENTS

5,983,398 A \* 11/1999 Kronenberger ..... A42B 1/06  
2/181  
D417,334 S \* 12/1999 Wands ..... D2/893  
6,370,696 B1 \* 4/2002 Kronenberger ..... A42B 1/248  
2/175.1  
6,588,021 B2 7/2003 Kronenberger  
RE38,394 E \* 1/2004 Morse ..... A42B 1/248  
2/195.1  
D492,094 S \* 6/2004 Park ..... D2/893  
D499,231 S \* 12/2004 Toppel ..... D2/882  
D521,713 S 5/2006 Cho  
7,073,206 B2 7/2006 Yan  
7,178,173 B2 2/2007 Kronenberger  
D566,380 S \* 4/2008 Galvan ..... D2/882  
D592,834 S \* 5/2009 Keiser ..... D2/884  
7,581,261 B2 \* 9/2009 Cho ..... A42B 1/062  
2/183  
D635,743 S \* 4/2011 Johnson ..... D2/882  
D637,797 S \* 5/2011 Kim ..... D2/893  
D654,251 S \* 2/2012 Alkas-Shamoun ..... D2/882  
8,550,651 B2 10/2013 Waters  
D702,928 S \* 4/2014 White ..... D2/882  
D709,675 S \* 7/2014 Cho ..... D2/882  
D712,635 S \* 9/2014 Rivas ..... D2/882  
D716,528 S \* 11/2014 Badish ..... D2/882  
8,973,166 B1 3/2015 Engle  
D732,803 S \* 6/2015 Popovich ..... D2/893  
9,179,720 B1 \* 11/2015 Bonadio, Jr. .... A41D 27/08  
D774,734 S 12/2016 Sunness et al.  
2002/0042941 A1 4/2002 Grundy  
2004/0194192 A1 10/2004 Cho  
2005/0172380 A1 8/2005 Turkington  
2007/0022517 A1 \* 2/2007 Kronenberger ..... A42B 1/004  
2/195.1  
2009/0119819 A1 \* 5/2009 Thompson ..... A42B 1/002  
2/209.13  
2010/0064419 A1 3/2010 Lee  
2012/0297522 A1 11/2012 Treger et al.  
2014/0338098 A1 11/2014 Kelly et al.  
2014/0338103 A1 11/2014 Tsai

OTHER PUBLICATIONS

Sunness, Brooke Danielle; U.S. Design Patent Application entitled:

Hat With Flat Thick Brim having U.S. Appl. No. 29/526,972, filed May 14, 2015, 6 pgs.  
Sunness, Brooke Danielle; U.S. Design Patent Application entitled: Hat With Curved Thick Brim having U.S. Appl. No. 29/526,975, filed May 14, 2015, 6 pgs.  
Sunness, Brooke Danielle; U.S. Design Patent Application entitled: Flat Thick Hat Brim having U.S. Appl. No. 29/526,980, filed May 14, 2015, 6 pgs.  
Article entitled: "Baseball Cap", located at <http://www.madehow.com/Volume-4/Baseball-Cap.html>, accessed on May 20, 2015, 5 pgs.  
Thread2Head; Article entitled "Customized Cap Bill", located at <http://thread2head.com/?p=421>, accessed on Apr. 16, 2015, 2 pgs.  
Sunness, Bob Robert; International Search Report and Written Opinion for Application No. PCT/US15/60794, filed Nov. 16, 2015, mailed Jan. 28, 2016, 8 pgs.  
Sunness, Bob Robert; PCT Application entitled: Hat With Thick Brim Face having U.S. Appl. No. PCT/US15/60794, filed Nov. 16, 2015, 42 pgs.  
On Scene, Inc. Base Ball Hats/Caps. Archived copy from Feb. 25, 2015 [retrieved on Jan. 7, 2016] Retrieved from the Internet: <URL: <https://web.archive.org/web/20150225044400/http://www.onsceneinc.com/baseball-hats-caps/>> entire document, 9 pgs.  
THiiK, LLC; Office Action for Canadian Application No. 165,332, filed Nov. 13, 2015, mailed Feb. 9, 2016, 4 pgs.  
Sunness, Brooke Danielle; Applicant Initiated Interview Summary for U.S. Appl. No. 29/526,972, filed May 14, 2015, mailed Apr. 15, 2016, 4 pgs.  
Sunness, Brooke Danielle; Non-Final Office Action for U.S. Appl. No. 29/526,972, filed May 14, 2015, mailed Mar. 23, 2016, 15 pgs.  
Sunness, Brooke Danielle; Office Action for Canadian design application No. 168,935, filed Nov. 13, 2015, mailed Jul. 19, 2016, 2 pgs.  
Sunness, Brooke Danielle; Notice of Allowance for U.S. Appl. No. 29/526,972, filed May 14, 2015, mailed Oct. 6, 2016; 19 pgs.  
Sunness, Brooke Danielle; Non-Final Office Action for U.S. Appl. No. 29/526,975, filed May 14, 2015, mailed Sep. 7, 2016; 18 pgs.  
Sunness, Brooke Danielle; Ex Parte Quayle Action for U.S. Appl. No. 29/526,980, filed May 14, 2015, mailed Sep. 9, 2016, 17 pgs.  
Sunness, Brooke Danielle; Issue Notification for U.S. Appl. No. 29/526,972, filed May 14, 2015, mailed Dec. 7, 2016; 1 pg.  
Sunness, Brooke Danielle; Notice of Allowance for U.S. Appl. No. 29/526,975, filed May 14, 2015, mailed Dec. 20, 2016, 9 pgs.  
Sunness, Brooke Danielle; Notice of Allowance for U.S. Appl. No. 29/526,980, filed May 14, 2015, mailed Dec. 5, 2016; 7 pgs.

\* cited by examiner

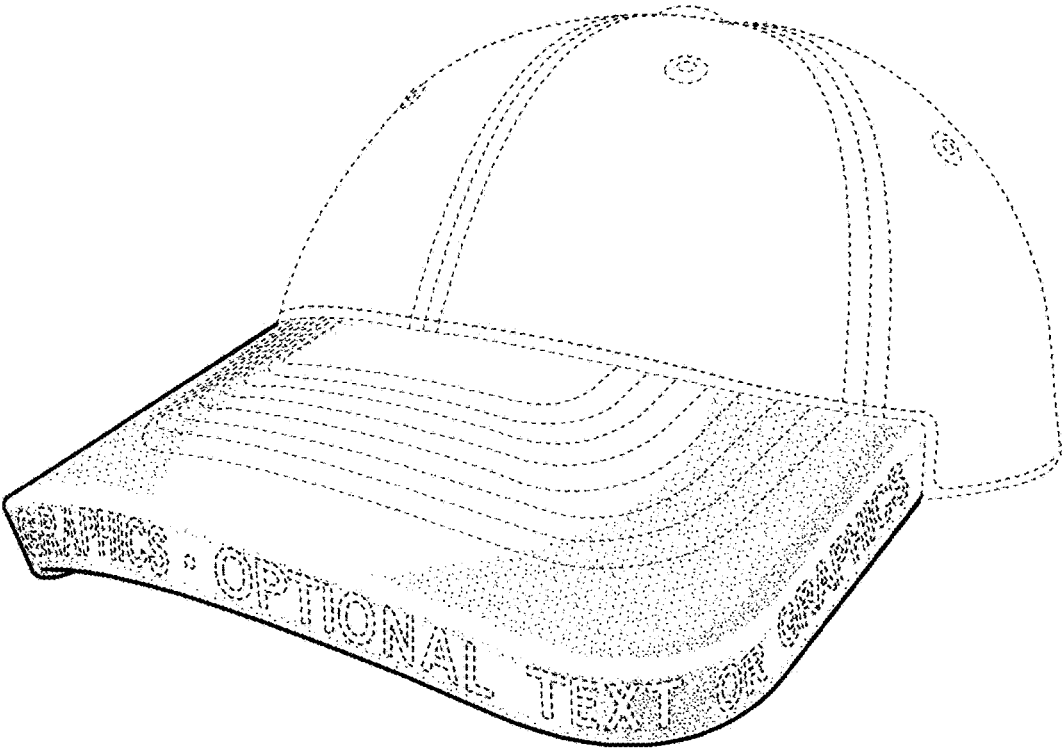


FIG. 1

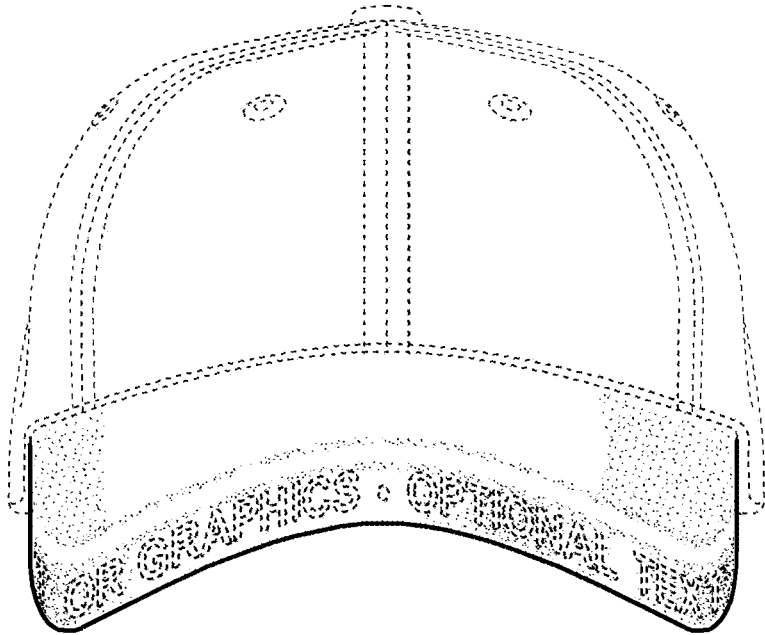


FIG. 2

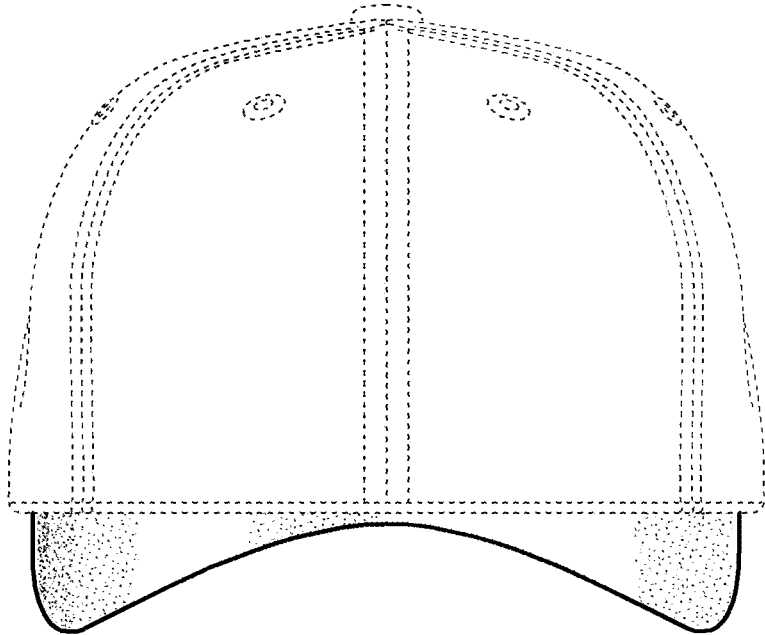


FIG. 3

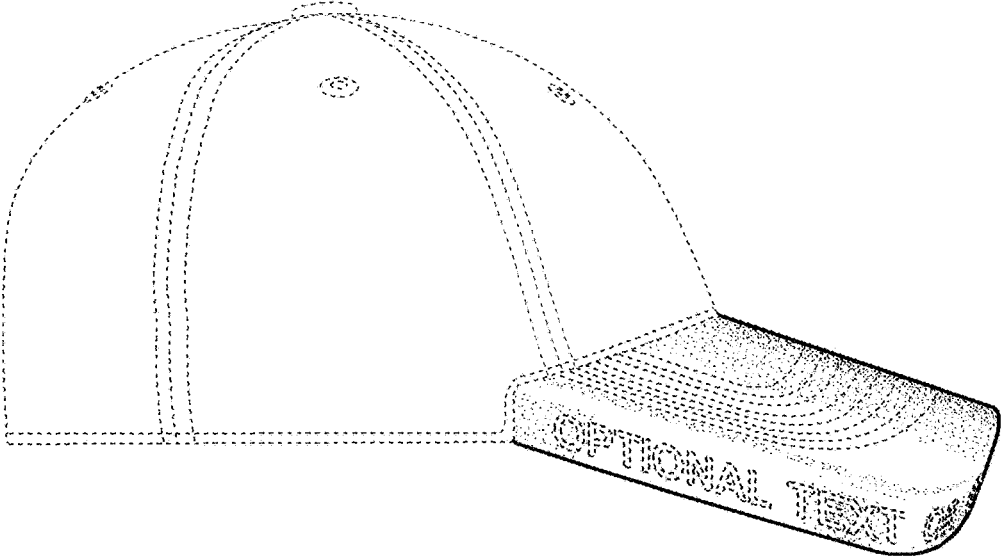


FIG. 4

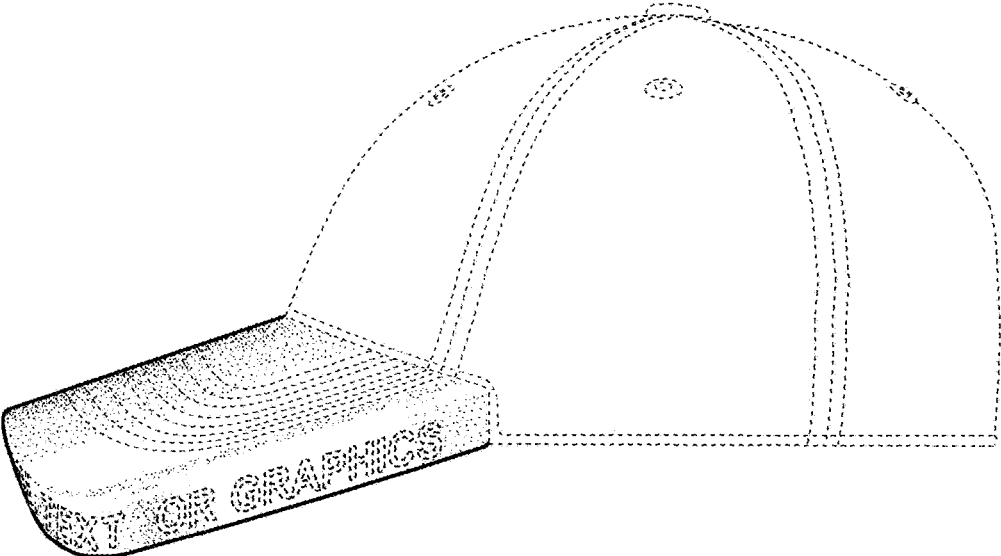
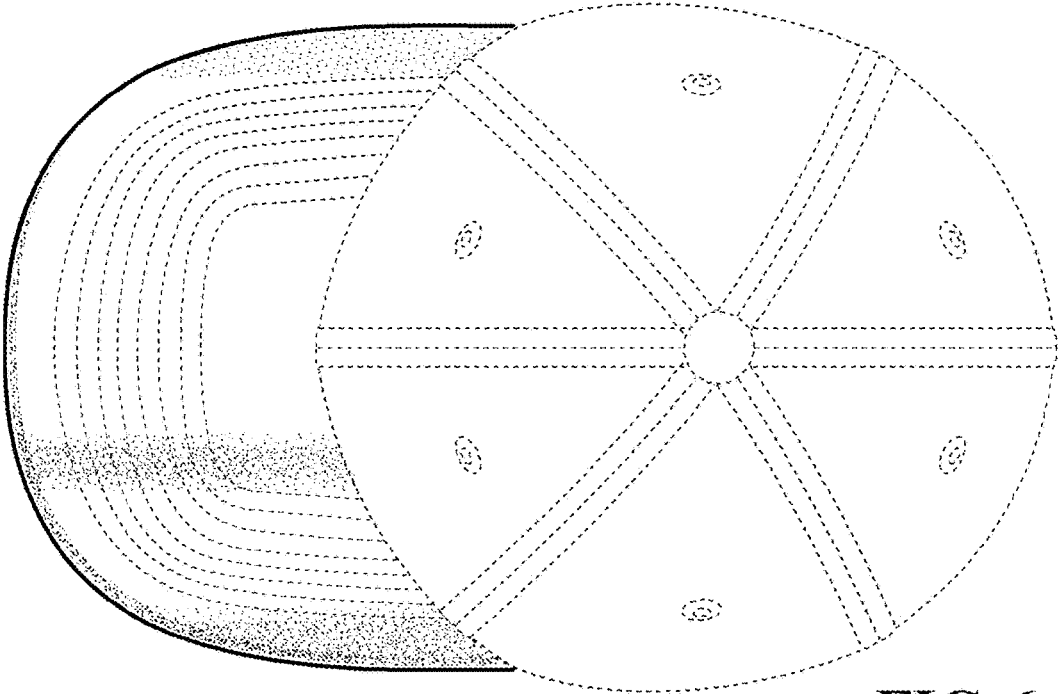
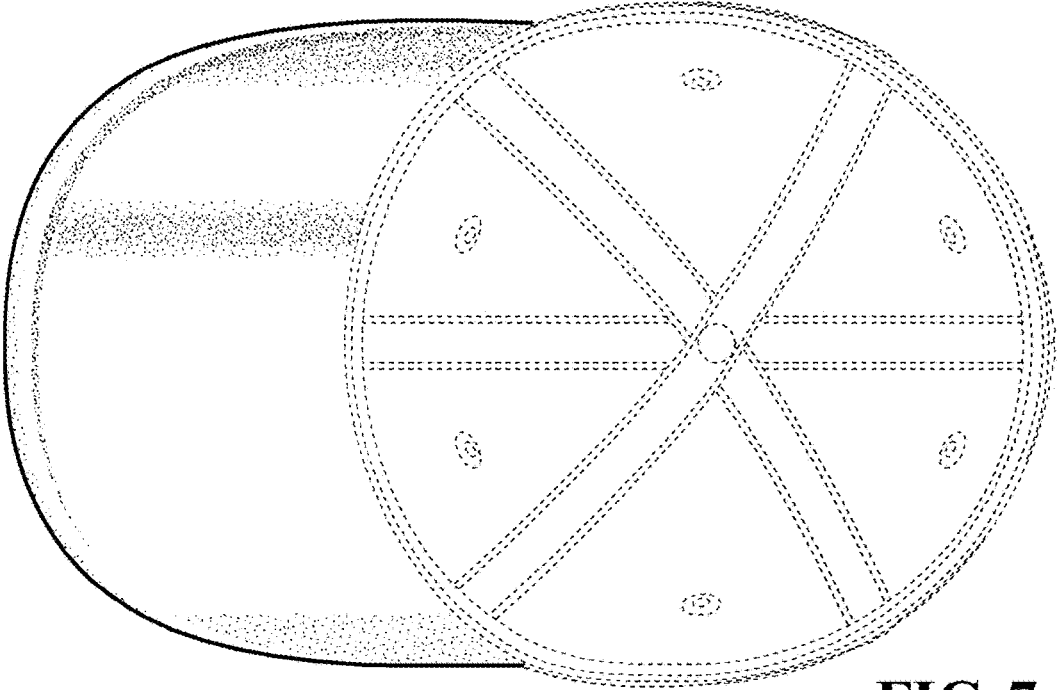


FIG. 5



**FIG. 6**



**FIG. 7**

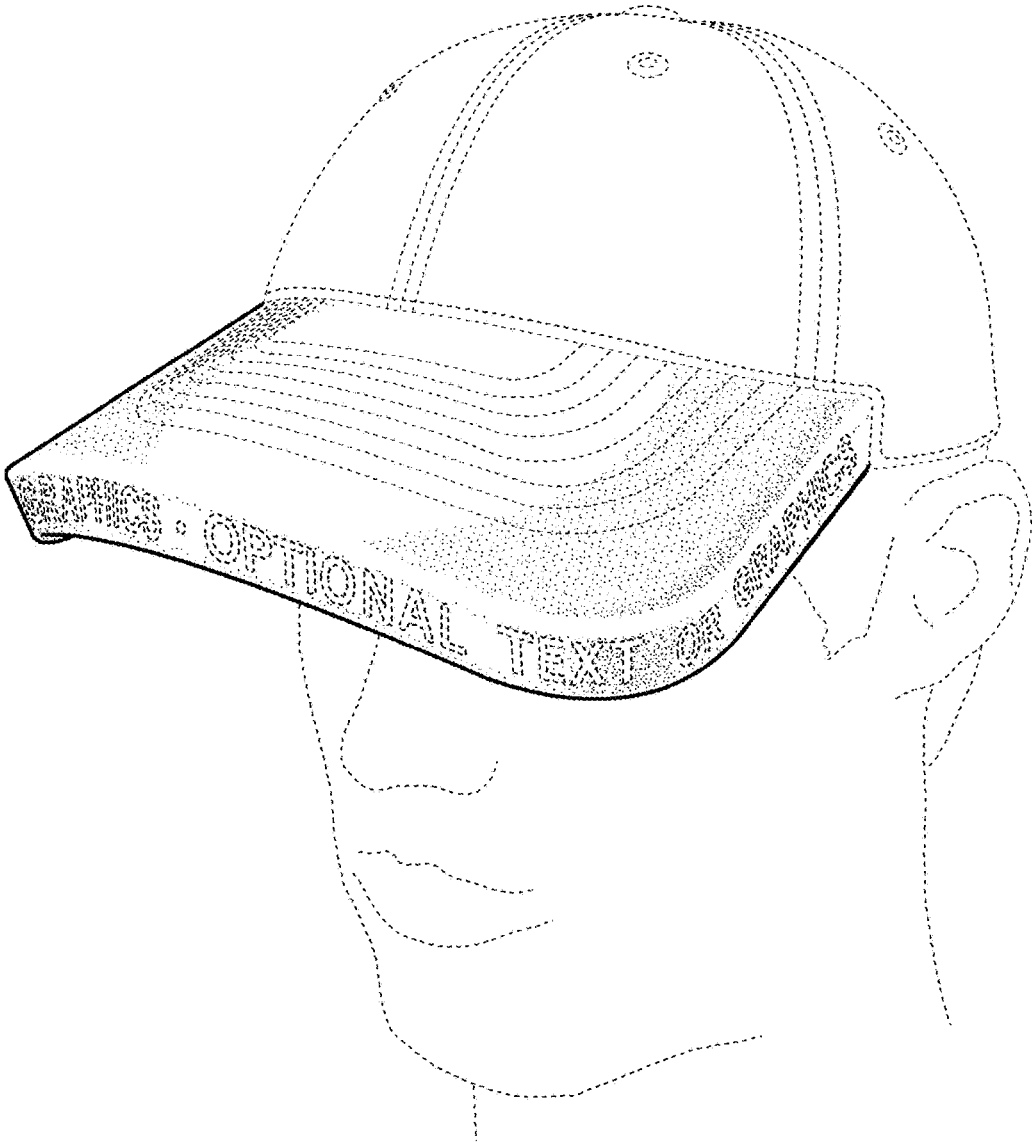


FIG. 8