



(12) **United States Design Patent**
Bjerke et al.

(10) **Patent No.:** **US D952,697 S**
(45) **Date of Patent:** **** May 24, 2022**

- (54) **BUCKET SHROUD**
- (71) Applicant: **Caterpillar Inc.**, Peoria, IL (US)
- (72) Inventors: **Nathan Bjerke**, Peoria, IL (US);
Thomas Marshall Congdon, Dunlap, IL (US)
- (73) Assignee: **Caterpillar Inc.**, Peoria, IL (US)

4,047,312 A 9/1977 Stepe
 D251,431 S 3/1979 Klett et al.
 4,231,173 A 11/1980 Davis
 D284,010 S 5/1986 Voyce
 4,980,980 A 1/1991 Schadov et al.
 5,016,365 A 5/1991 Robinson
 5,088,214 A 2/1992 Jones
 D329,243 S 9/1992 Robinson
 (Continued)

(**) Term: **15 Years**

(21) Appl. No.: **29/785,347**

(22) Filed: **May 25, 2021**

Related U.S. Application Data

- (63) Continuation of application No. 29/708,298, filed on Oct. 4, 2019, now Pat. No. Des. 927,561.
- (51) **LOC (13) Cl.** **15-03**
- (52) **U.S. Cl.**
USPC **D15/29**
- (58) **Field of Classification Search**
USPC D15/11, 28, 29, 32; D32/53, 53.1, 54
CPC A01B 15/02; E02F 9/28; E02F 9/2825;
E02F 9/2833; E02F 9/2858; E02F 9/2808;
E02F 9/2841; E02F 3/36; E02F 9/285;
E02F 3/8152; E02F 3/40
See application file for complete search history.

(56) **References Cited**

U.S. PATENT DOCUMENTS

1,959,847 A 5/1934 Van Buskirk
 2,256,488 A 9/1941 Murtaugh
 3,079,710 A 3/1963 Larsen et al.
 3,653,133 A 4/1972 Black et al.
 3,664,044 A 5/1972 Hahn
 D228,936 S 10/1973 Dahlberg et al.
 D241,264 S 8/1976 Dahlberg et al.
 D242,274 S 11/1976 Dahlberg et al.
 D245,780 S 9/1977 Dahlberg et al.

FOREIGN PATENT DOCUMENTS

AU 139678 7/1999
 AU 143089 7/2000
 (Continued)

OTHER PUBLICATIONS

CAT Shroud <https://parts.cat.com/en/catcorp/339-0310> (Year: 2021).
 (Continued)

Primary Examiner — Michelle E. Wilson
Assistant Examiner — Richard E Yenchesky
 (74) *Attorney, Agent, or Firm* — Saidman Design Law Group

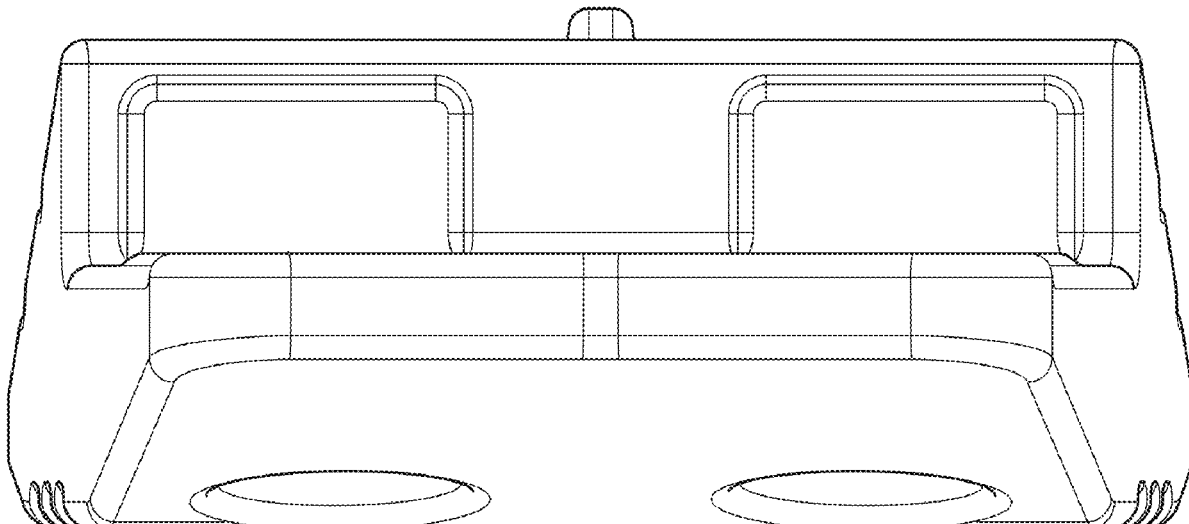
(57) **CLAIM**

The ornamental design for a bucket shroud, as shown and described.

DESCRIPTION

FIG. 1 is a perspective view of a bucket shroud showing our new design;
 FIG. 2 is a front view thereof;
 FIG. 3 is a rear view thereof;
 FIG. 4 is a left side view thereof;
 FIG. 5 is a right side view thereof;
 FIG. 6 is a top view thereof; and,
 FIG. 7 is a bottom view thereof.

1 Claim, 5 Drawing Sheets



(56)

References Cited

U.S. PATENT DOCUMENTS

D336,476 S 6/1993 Garman
 D339,593 S 9/1993 Johansson
 D365,109 S 12/1995 Robinson et al.
 D365,577 S 12/1995 Ruvang
 5,515,625 A 5/1996 Keigley
 5,553,409 A 9/1996 Irving
 D378,006 S 2/1997 Clendenning
 D381,484 S 7/1997 Clendenning
 5,709,043 A 1/1998 Jones et al.
 5,765,301 A 6/1998 Clendenning
 D406,153 S 2/1999 Holzer et al.
 D417,877 S 12/1999 Launder et al.
 6,047,487 A 4/2000 Clendenning
 6,230,424 B1 5/2001 Renski et al.
 6,385,871 B1 5/2002 Quarfordt
 D458,614 S 6/2002 Esterhuysen et al.
 6,457,268 B1 10/2002 Perry et al.
 6,457,269 B1 10/2002 Esterhuysen et al.
 D478,599 S 8/2003 Zaayman et al.
 6,735,891 B2 5/2004 Pallas Moreno et al.
 6,745,503 B1 6/2004 Pallas Moreno et al.
 6,952,892 B1 10/2005 Bierwith
 6,990,760 B1 1/2006 Zaayman et al.
 6,993,861 B2 2/2006 Carpenter et al.
 D522,536 S 6/2006 Oh
 7,080,470 B2 7/2006 Jones
 D537,846 S 3/2007 Block
 D541,311 S 4/2007 Oh
 7,219,454 B2 5/2007 Maher
 7,266,914 B2 9/2007 Grant
 D554,157 S 10/2007 Renski
 D554,159 S 10/2007 Boggs et al.
 7,275,338 B2 10/2007 LaHood
 D562,356 S 2/2008 Watanabe
 D567,825 S 4/2008 Clendenning et al.
 D567,826 S 4/2008 Clendenning et al.
 D567,827 S * 4/2008 Clendenning D15/29
 7,367,144 B2 5/2008 Jones et al.
 D576,644 S 9/2008 Clendenning et al.
 7,451,558 B2 11/2008 Jones
 D602,505 S 10/2009 Ruvang
 D623,671 S 9/2010 Bolyard
 7,793,444 B2 9/2010 Jones
 D624,943 S * 10/2010 Gibbon D15/29
 D631,490 S * 1/2011 Drager D15/32
 D643,049 S 8/2011 Nickels et al.
 8,024,874 B2 9/2011 McClanahan et al.
 D656,522 S 3/2012 Elliott et al.
 8,347,530 B2 1/2013 Clendenning et al.
 D676,065 S 2/2013 Attwood et al.
 D676,066 S 2/2013 Attwood et al.
 D676,067 S 2/2013 Attwood et al.
 D676,465 S 2/2013 Attwood et al.
 D678,361 S 3/2013 Attwood et al.
 8,572,870 B2 11/2013 Kudo et al.
 D706,307 S * 6/2014 Renski D15/28
 D706,312 S 6/2014 Renski et al.
 D706,840 S * 6/2014 Renski D15/29
 D707,264 S * 6/2014 Renski D15/29
 8,925,220 B2 * 1/2015 Stangeland E02F 9/2825
 37/452
 D727,367 S * 4/2015 Renski D15/28
 D727,369 S * 4/2015 Renski D15/29
 D728,635 S * 5/2015 Kunz D15/29
 D728,636 S * 5/2015 Kunz D15/29
 D728,637 S * 5/2015 Kunz D15/29
 D741,375 S * 10/2015 Hooijmans D15/28
 D741,918 S * 10/2015 Hooijmans D15/28
 D749,147 S * 2/2016 Kunz D15/29
 9,260,839 B2 * 2/2016 Kunz E02F 9/2833
 D751,610 S 3/2016 Serrurier et al.
 9,315,972 B2 4/2016 Anisy et al.
 9,404,240 B2 * 8/2016 Kunz E02F 9/2883
 D766,994 S * 9/2016 Kunz D15/32
 D767,647 S * 9/2016 Kunz D15/32

D769,946 S * 10/2016 Kunz D15/32
 D774,566 S * 12/2016 Balan D15/29
 D775,241 S * 12/2016 Balan D15/29
 9,518,379 B2 12/2016 Kunz
 D775,673 S * 1/2017 Balan D15/29
 D779,566 S * 2/2017 Cronk D15/29
 D788,182 S 5/2017 Serrurier et al.
 9,644,348 B2 * 5/2017 Balan E02F 9/2825
 D790,601 S * 6/2017 Balan D15/29
 D790,603 S * 6/2017 Balan D15/29
 D790,604 S 6/2017 Balan et al.
 D790,605 S * 6/2017 Balan D15/29
 D790,606 S * 6/2017 Balan D15/29
 D797,162 S * 9/2017 Kunz D15/32
 D797,163 S * 9/2017 Kunz D15/32
 D801,397 S * 10/2017 Balan D15/29
 D805,112 S * 12/2017 Serrurier D15/29
 D805,562 S * 12/2017 Serrurier D15/29
 D806,139 S * 12/2017 Serrurier D15/29
 D806,140 S * 12/2017 Serrurier D15/29
 D806,141 S * 12/2017 Serrurier D15/29
 D806,142 S * 12/2017 Serrurier D15/29
 D806,759 S * 1/2018 Serrurier D15/29
 9,856,629 B1 * 1/2018 Kunz G06F 30/00
 9,970,181 B2 5/2018 Kunz
 D832,309 S * 10/2018 Balan D15/29
 D832,310 S * 10/2018 Balan D15/29
 D842,345 S 3/2019 Kunz
 D842,346 S 3/2019 Bjerke et al.
 D842,347 S 3/2019 Bjerke et al.
 D857,762 S 8/2019 Kunz
 D858,584 S 9/2019 Balan et al.
 D873,306 S * 1/2020 Bjerke D15/29
 D882,644 S * 4/2020 Bjerke D15/29
 D882,645 S * 4/2020 Bjerke D15/29
 D882,646 S * 4/2020 Bjerke D15/29
 D901,550 S * 11/2020 Bjerke D15/29
 D901,551 S * 11/2020 Bjerke D15/29
 D901,552 S * 11/2020 Bjerke D15/29
 D924,940 S * 7/2021 Sinn D15/28
 D924,941 S * 7/2021 Sinn D15/28
 D924,942 S * 7/2021 Sinn D15/29
 D928,848 S * 8/2021 Bjerke D15/29
 D928,849 S * 8/2021 Bjerke D15/29
 2003/0024139 A1 2/2003 Jones et al.
 2004/0107608 A1 6/2004 Meyers et al.
 2004/0216335 A1 11/2004 Jones
 2006/0117613 A1 6/2006 Jones et al.
 2007/0204490 A1 9/2007 Jones et al.
 2008/0092413 A1 * 4/2008 McClanahan E02F 9/2841
 37/451
 2009/0282711 A1 11/2009 Naher et al.
 2012/0304508 A1 12/2012 Guimaraes et al.
 2013/0008062 A1 1/2013 Guimaraes et al.
 2013/0185964 A1 7/2013 Anisy et al.
 2013/0318840 A1 12/2013 Ollinger, IV et al.
 2014/0082976 A1 3/2014 Vicq et al.
 2014/0082977 A1 3/2014 Pilon
 2014/0173949 A1 6/2014 Karlsson et al.
 2015/0211215 A1 7/2015 Dallard et al.
 2015/0247306 A1 * 9/2015 Kunz E02F 9/2883
 37/455
 2016/0356024 A1 12/2016 Gandy et al.
 2017/0073938 A1 * 3/2017 Bjerke E02F 9/2883
 2018/0363274 A1 * 12/2018 Kunz E02F 9/2891
 2018/0363275 A1 12/2018 Kunz

FOREIGN PATENT DOCUMENTS

CL 199502068 10/1996
 CL 199800391 11/1998
 CL 199901193 9/1999
 CL 199900223 11/1999
 CL 199901457 11/1999
 CL 199901583 6/2000
 CL 200501785 7/2005
 CL 200503115 9/2006
 CL 200503116 9/2006
 CL 200602263 5/2007

(56)

References Cited

FOREIGN PATENT DOCUMENTS

| | | |
|----|-----------|---------|
| CL | 200800173 | 8/2008 |
| CL | 200800174 | 8/2008 |
| CL | 200802524 | 1/2009 |
| CL | 200801735 | 5/2009 |
| CL | 200801764 | 7/2009 |
| CL | 201000618 | 11/2010 |
| CL | 201000739 | 12/2010 |
| CL | 201200732 | 3/2012 |
| CL | 201200733 | 3/2012 |
| CL | 201200291 | 11/2012 |
| CL | 201302335 | 8/2013 |
| CL | 201400896 | 8/2014 |
| CL | 201503078 | 4/2016 |
| CL | 201700123 | 5/2017 |
| CL | 201700124 | 5/2017 |
| CL | 201701496 | 3/2018 |
| CL | 201701497 | 3/2018 |
| CL | 201701498 | 3/2018 |
| CL | 201701499 | 3/2018 |
| CL | 201900855 | 6/2018 |

| | | |
|----|----------------|--------|
| CL | 201800157 | 7/2018 |
| CL | 201800175 | 8/2018 |
| CL | 201900854 | 6/2019 |
| CL | 201900856 | 6/2019 |
| CL | 201901234 | 7/2019 |
| EM | 006367660-0001 | 4/2019 |
| EM | 006367702-0001 | 4/2019 |
| EM | 006434288-0001 | 5/2019 |
| WO | 2007/016719 | 2/2007 |

OTHER PUBLICATIONS

CAT Shroud <https://parts.cat.com/en/catcorp/edge-protection-shrouds/128-5927> (Year: 2021).
 U.S. Appl. No. 62/148,992, filed Apr. 17, 2015. (Unpublished).
 U.S. Appl. No. 62/149,077, filed Apr. 17, 2015. (Unpublished).
 U.S. Appl. No. 62/149,161, filed Apr. 17, 2015. (Unpublished).
 U.S. Appl. No. 62/149,229, filed Apr. 17, 2015. (Unpublished).
 U.S. Appl. No. 29/708,296, filed Oct. 4, 2019. (Unpublished) .
 U.S. Appl. No. 29/708,298, filed Oct. 4, 2019. (Unpublished) .
 U.S. Appl. No. 29/708,299, filed Oct. 4, 2019. (Unpublished) .

* cited by examiner

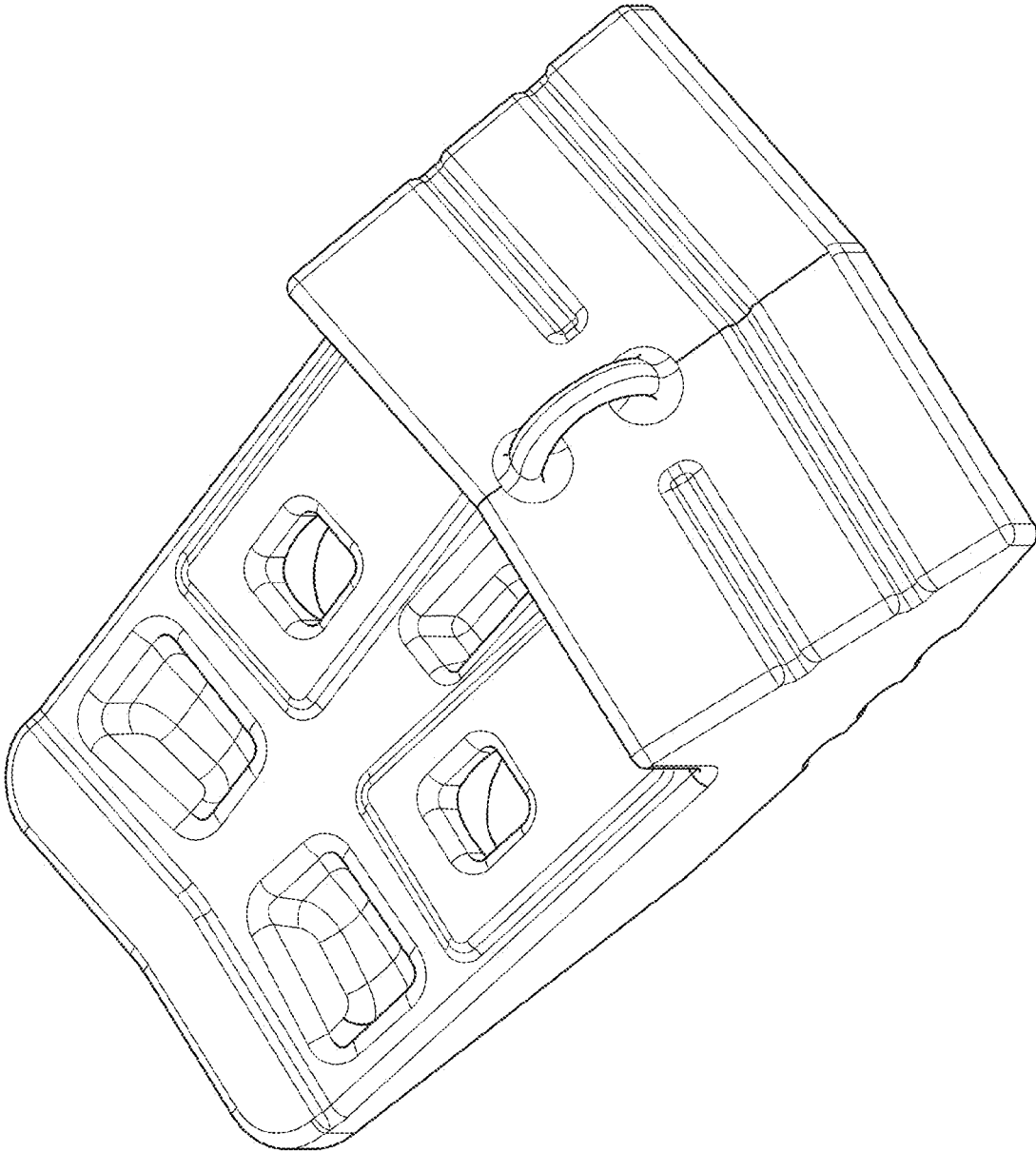


FIG. 1

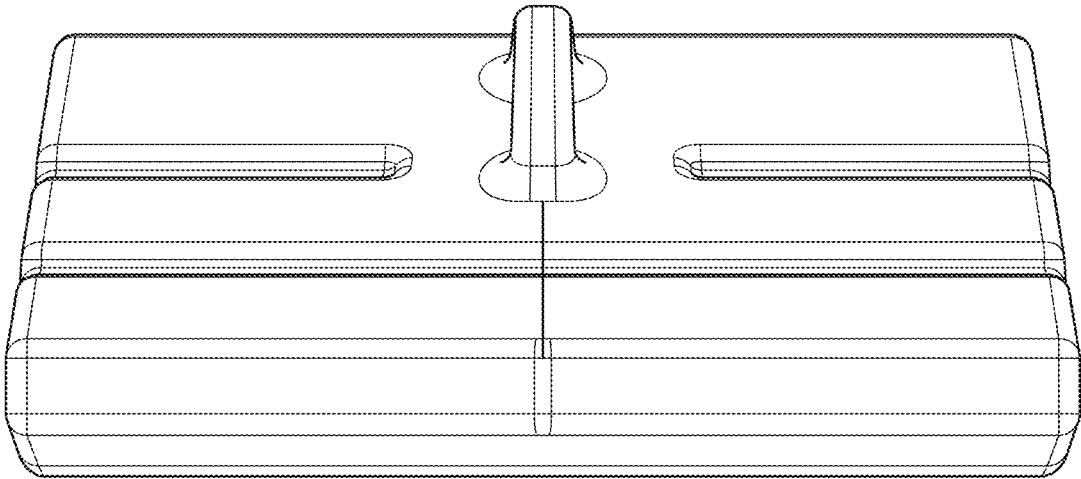


FIG. 2

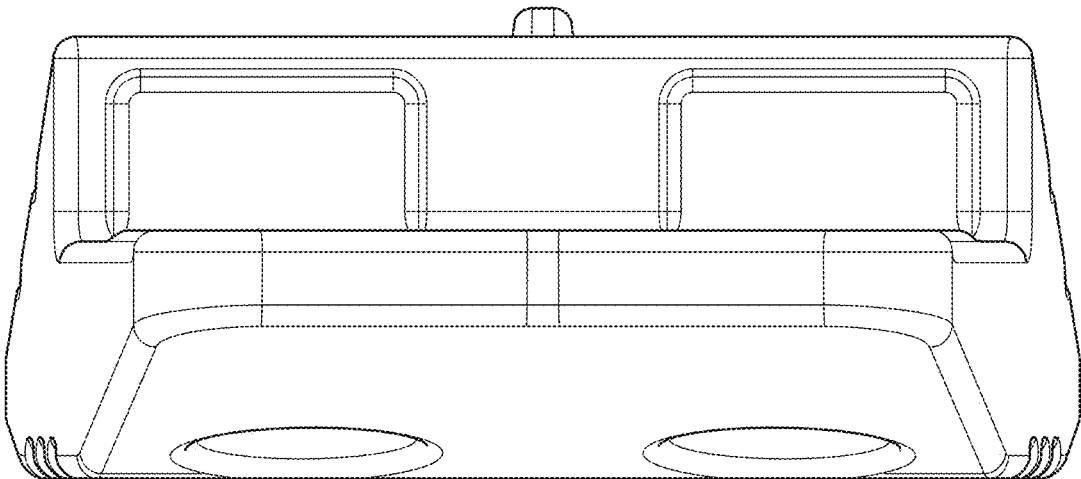


FIG. 3

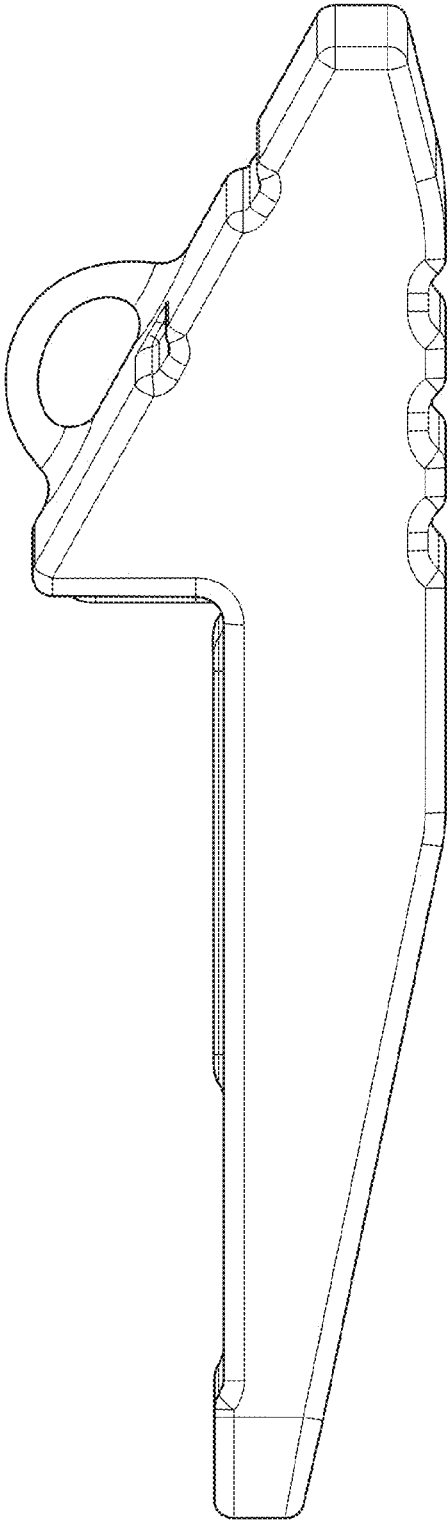


FIG. 4

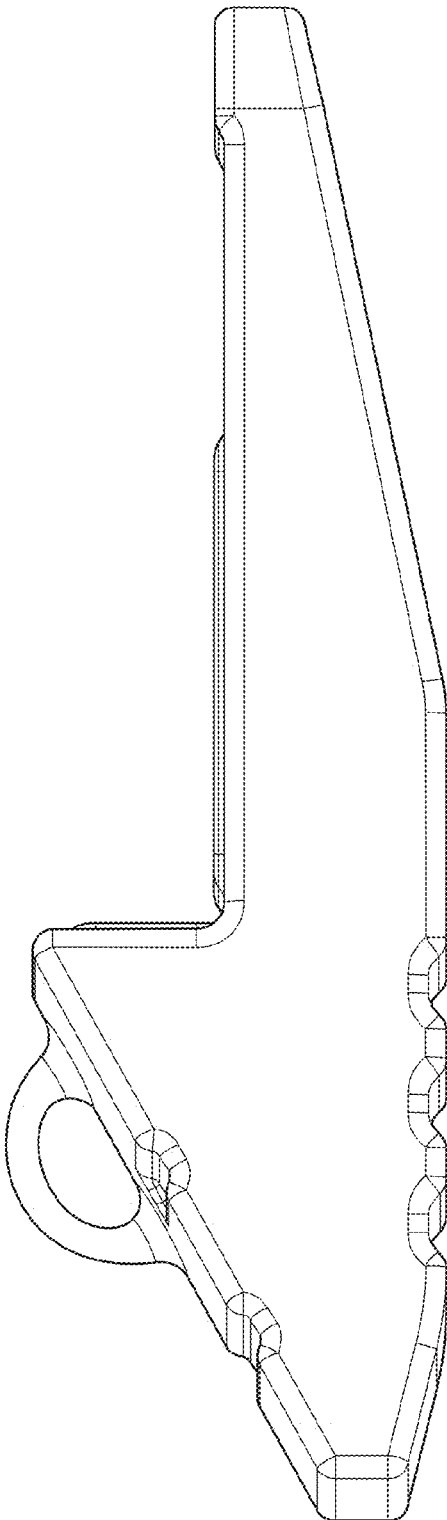


FIG. 5

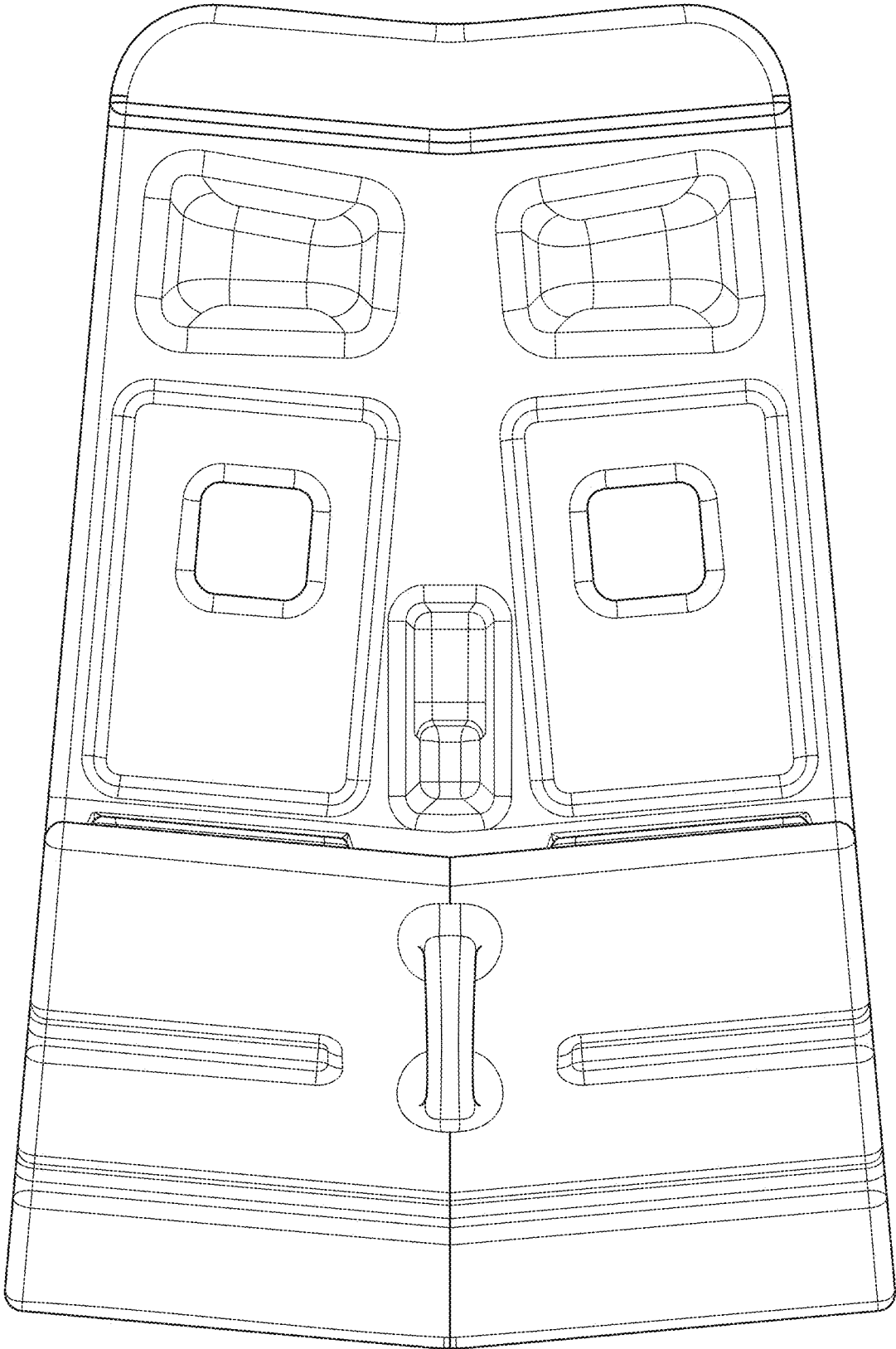


FIG. 6

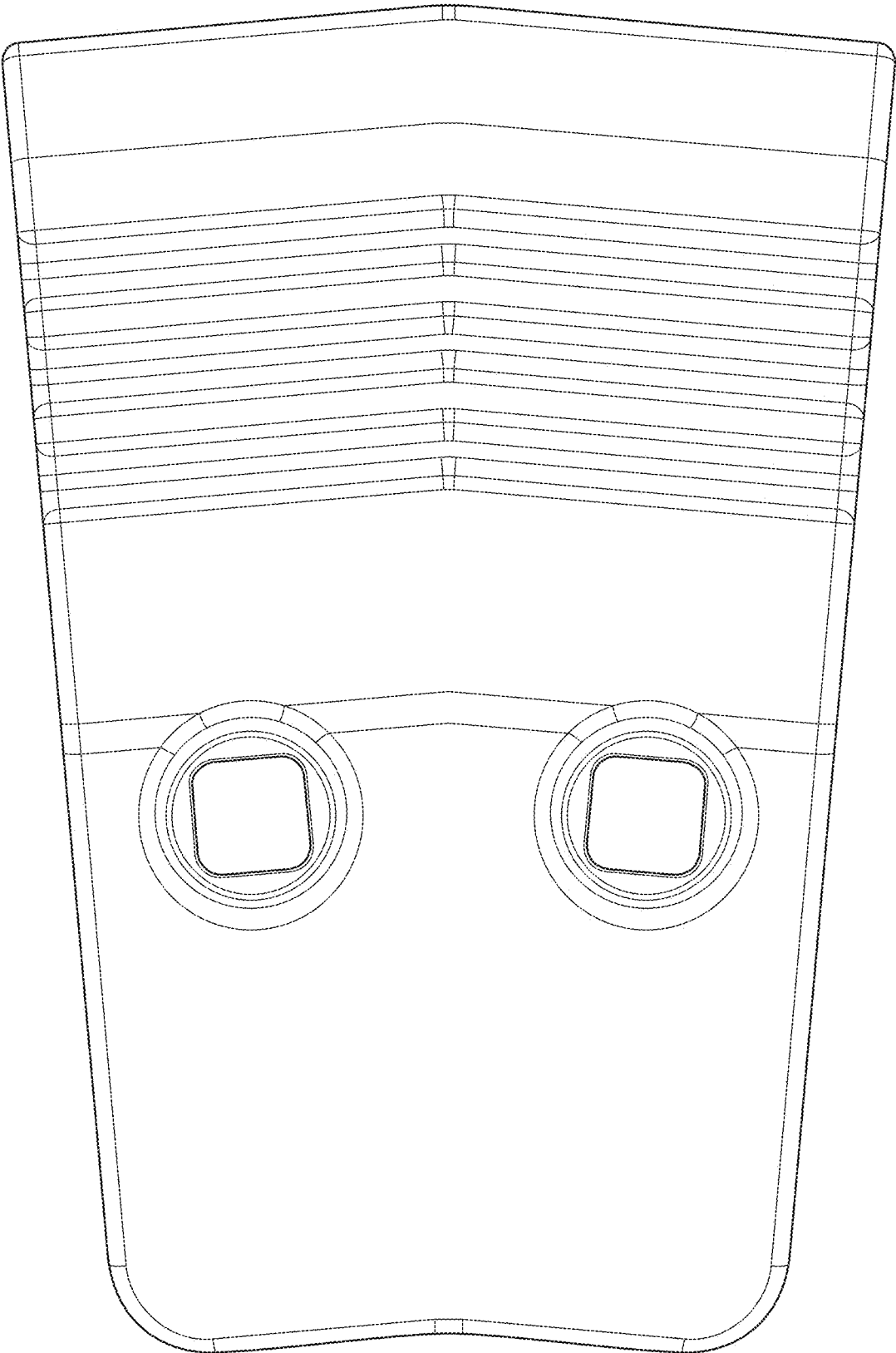


FIG. 7