

(19) World Intellectual Property Organization
International Bureau



(43) International Publication Date
28 February 2008 (28.02.2008)

PCT

(10) International Publication Number
WO 2008/024250 A3

(51) International Patent Classification:
B65D 27/04 (2006.01) **B65D 27/06** (2006.01)

(21) International Application Number:
PCT/US2007/018069

(22) International Filing Date: 16 August 2007 (16.08.2007)

(25) Filing Language: English

(26) Publication Language: English

(30) Priority Data:
60/838,733 18 August 2006 (18.08.2006) US

(71) Applicant (for all designated States except US): **ECOENVELOPES, LLC** [US/US]; 1314 North 1st Street, Stillwater, Minnesota 55082 (US).

(72) Inventor; and

(75) Inventor/Applicant (for US only): **DELAVERGNE, Carol, A.** [US/US]; 1314 North 1st Street, Stillwater, Minnesota 55082 (US).

(74) Agents: **HUBBARD, Kevin, J.** et al.; Kagan Binder, PLLC, Suite 200, Maple Island Building, 221 Main Street North, Stillwater, Minnesota 55082 (US).

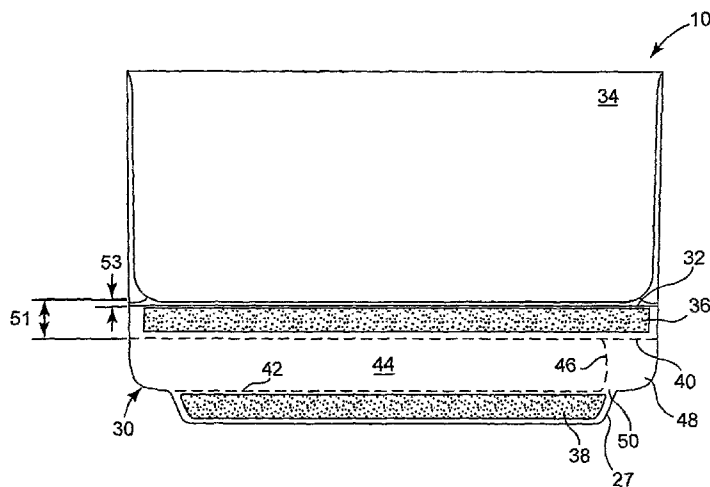
(81) Designated States (unless otherwise indicated, for every kind of national protection available): AE, AG, AL, AM, AT, AU, AZ, BA, BB, BG, BH, BR, BW, BY, BZ, CA, CH, CN, CO, CR, CU, CZ, DE, DK, DM, DO, DZ, EC, EE, EG, ES, FI, GB, GD, GE, GH, GM, GT, HN, HR, HU, ID, IL, IN, IS, JP, KE, KG, KM, KN, KP, KR, KZ, LA, LC, LK, LR, LS, LT, LU, LY, MA, MD, ME, MG, MK, MN, MW, MX, MY, MZ, NA, NG, NI, NO, NZ, OM, PG, PH, PL, PT, RO, RS, RU, SC, SD, SE, SG, SK, SL, SM, SV, SY, TJ, TM, TN, TR, TT, TZ, UA, UG, US, UZ, VC, VN, ZA, ZM, ZW.

(84) Designated States (unless otherwise indicated, for every kind of regional protection available): ARIPO (BW, GH, GM, KE, LS, MW, MZ, NA, SD, SL, SZ, TZ, UG, ZM, ZW), Eurasian (AM, AZ, BY, KG, KZ, MD, RU, TJ, TM), European (AT, BE, BG, CH, CY, CZ, DE, DK, EE, ES, FI, FR, GB, GR, HU, IE, IS, IT, LT, LU, LV, MC, MT, NL, PL, PT, RO, SE, SI, SK, TR), OAPI (BF, BJ, CF, CG, CI, CM, GA, GN, GQ, GW, ML, MR, NE, SN, TD, TG).

Published:
— with international search report

(88) Date of publication of the international search report:
27 November 2008

(54) Title: REUSABLE ENVELOPES



(57) Abstract: The present invention provides reusable envelope structures and methods of use thereof. In preferred aspects, the present invention provides envelope structures in which a single envelope structure can provide multiple uses.

WO 2008/024250 A3

INTERNATIONAL SEARCH REPORT

International application No.

PCT/US07/18069

A. CLASSIFICATION OF SUBJECT MATTER
 IPC: **B65D 27/06(2006.01)**

USPC: 229/301
 According to International Patent Classification (IPC) or to both national classification and IPC

B. FIELDS SEARCHED

Minimum documentation searched (classification system followed by classification symbols)
 U.S. : 229/301,308

Documentation searched other than minimum documentation to the extent that such documents are included in the fields searched

Electronic data base consulted during the international search (name of data base and, where practicable, search terms used)

C. DOCUMENTS CONSIDERED TO BE RELEVANT

Category *	Citation of document, with indication, where appropriate, of the relevant passages	Relevant to claim No.
X	US 2005/0045707 A1 (Stude) 3 March 2005 (03.03.2005) see entire document	1, 2, 7, 8, 10-14
---		-----
Y		3-6, 9, 15-20
Y	US 2,941,711 A (Biek) 21 June 1960 (21.06.1960), see entire document.	3-6

Further documents are listed in the continuation of Box C. See patent family annex.

* Special categories of cited documents:	
"A" document defining the general state of the art which is not considered to be of particular relevance	"T" later document published after the international filing date or priority date and not in conflict with the application but cited to understand the principle or theory underlying the invention
"E" earlier application or patent published on or after the international filing date	"X" document of particular relevance; the claimed invention cannot be considered novel or cannot be considered to involve an inventive step when the document is taken alone
"L" document which may throw doubts on priority claim(s) or which is cited to establish the publication date of another citation or other special reason (as specified)	"Y" document of particular relevance; the claimed invention cannot be considered to involve an inventive step when the document is combined with one or more other such documents, such combination being obvious to a person skilled in the art
"O" document referring to an oral disclosure, use, exhibition or other means	
"P" document published prior to the international filing date but later than the priority date claimed	"&" document member of the same patent family

Date of the actual completion of the international search 03 August 2008 (03.08.2008)	Date of mailing of the international search report 25 AUG 2008
Name and mailing address of the ISA/US Mail Stop PCT, Attn: ISA/US Commissioner for Patents P.O. Box 1450 Alexandria, Virginia 22313-1450 Facsimile No. (571) 273-3201	Authorized officer Nathan Newhouse Telephone No. 571-272-3700 