

(19) World Intellectual Property Organization  
International Bureau



(43) International Publication Date  
5 February 2009 (05.02.2009)

PCT

(10) International Publication Number  
WO 2009/017992 A1

- (51) International Patent Classification:  
G03B 21/26 (2006.01)
- (21) International Application Number:  
PCT/US2008/070555
- (22) International Filing Date: 18 July 2008 (18.07.2008)
- (25) Filing Language: English
- (26) Publication Language: English
- (30) Priority Data:  
11/830,311 30 July 2007 (30.07.2007) US
- (71) Applicant (for all designated States except US): YLX Corp. [US/US]; 960 Saratoga Ave. Suite 117, San Jose, California 95129 (US).
- (72) Inventors; and
- (75) Inventors/Applicants (for US only): LI, Yi [CN/US]; 374 Oaks Bridge Place, Pleasanton, California 94566 (US). XU, Li [US/US]; 19199 De Havilland Dr., Saratoga, California 95070 (US).
- (74) Agent: CHEN, Ying; Chen Yoshimura LLP, 255 S. Grand Ave., #215, Los Angeles, California 90012 (US).

(81) Designated States (unless otherwise indicated, for every kind of national protection available): AE, AG, AL, AM, AO, AT, AU, AZ, BA, BB, BG, BH, BR, BW, BY, BZ, CA, CH, CN, CO, CR, CU, CZ, DE, DK, DM, DO, DZ, EC, EE, EG, ES, FI, GB, GD, GE, GH, GM, GT, HN, HR, HU, ID, IL, IN, IS, JP, KE, KG, KM, KN, KP, KR, KZ, LA, LC, LK, LR, LS, LT, LU, LY, MA, MD, ME, MG, MK, MN, MW, MX, MY, MZ, NA, NG, NI, NO, NZ, OM, PG, PH, PL, PT, RO, RS, RU, SC, SD, SE, SG, SK, SL, SM, ST, SV, SY, TJ, TM, TN, TR, TT, TZ, UA, UG, US, UZ, VC, VN, ZA, ZM, ZW.

(84) Designated States (unless otherwise indicated, for every kind of regional protection available): ARIPO (BW, GH, GM, KE, LS, MW, MZ, NA, SD, SL, SZ, TZ, UG, ZM, ZW), Eurasian (AM, AZ, BY, KG, KZ, MD, RU, TJ, TM), European (AT, BE, BG, CH, CY, CZ, DE, DK, EE, ES, FI, FR, GB, GR, HR, HU, IE, IS, IT, LT, LU, LV, MC, MT, NL, NO, PL, PT, RO, SE, SI, SK, TR), OAPI (BF, BJ, CF, CG, CI, CM, GA, GN, GQ, GW, ML, MR, NE, SN, TD, TG).

[Continued on next page]

(54) Title: MULTICOLOR ILLUMINATION DEVICE USING MOVING PLATE WITH WAVELENGTH CONVERSION MATERIALS

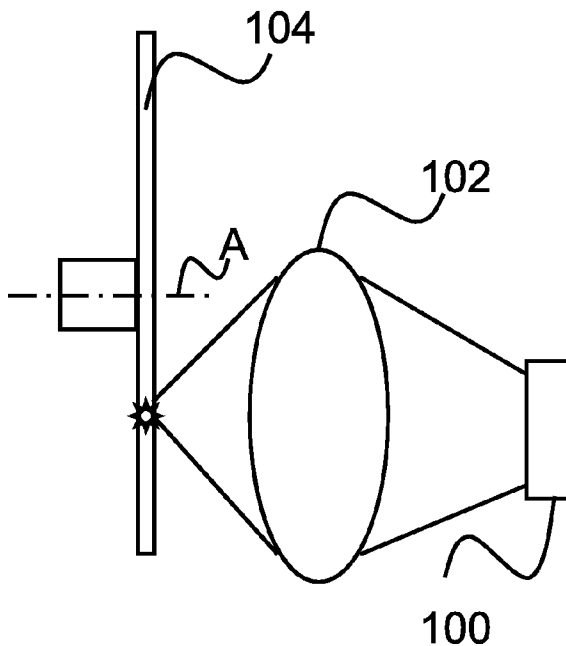


Fig. 1

(57) Abstract: A multicolor illumination device using an excitation light source and a multi-segmented moving plate with wavelength conversion materials (e.g. phosphors). The exciting light source is a light emitting diode or a laser diode emitting in the UV and/or blue region. The wavelength conversion materials absorb the excitation light and emit longer wavelength light. Each segment of the moving plate contains a different wavelength conversion material or no wavelength conversion material. The plate is supported to move so that different segments are exposed to the excitation light at different times. The plate may be a wheel or rectangular in shape and rotates or oscillates linearly. When the plate moves, light of different colors is generated sequentially in time by the different wavelength conversion materials in different segments of the plate. The multicolor illumination device may be used in a projector system having a microdisplay imager for image display.

WO 2009/017992 A1



---

**Published:**

— *with international search report*

MULTICOLOR ILLUMINATION DEVICE USING MOVING PLATE WITH  
WAVELENGTH CONVERSION MATERIALS

BACKGROUND OF THE INVENTION

5 Field of the Invention

This invention relates to lighting devices and systems, and in particular, it relates to devices for generating high brightness multicolor light using wavelength conversion.

Description of the Related Art

10 Wavelength conversion methods that use excitation light produced by solid-state light source such as laser diodes (LDs) or light emitting diodes (LEDs) and wavelength conversion materials such as phosphors or quantum dots can produce high brightness light at wavelengths different from the wavelength of the excitation light. In conventional devices, excitation light impinges on a wavelength conversion material, which absorbs the excitation light and emits light at a wavelength higher than the wavelength of the excitation light. To  
15 generate light of different colors, different wavelength conversion materials are typically employed. In a projection system described in commonly owned International Patent Application Publication No. WO 2006/102846 A1 published Oct. 5, 2006, three LED light sources are used to generate red, green and blue light, respectively (see Fig. 15 therein). The light of different colors are directed to a dichroic cross-prism which combine the light beams and direct them to a light modulator, which may be a MEMS (micro electronic mechanical  
20 system) device or a liquid crystal device (LCD or LCoS). The LED light sources and the light modulator are controlled in a synchronized manner by a signal processor to produce an image.

In some conventional multicolor illumination devices, a white light source (such as a  
25 high pressure mercury lamp) is used in conjunction with a color wheel to generate color lights with controlled time sequences. The color wheel, which is disposed in front of the white light source, is made of multiple color filters each transmitting light of a particular color.

30 SUMMARY OF THE INVENTION

The present invention is directed to an illumination device for generating multicolor light using wavelength conversion, which includes an excitation light source and a multiple wavelength conversion materials on a moving plate. By using Etendue conserved focusing

optics, multicolor light having high power and high brightness is obtained. The illumination device may be used for image projection systems.

An object of the present invention is to provide a high power and high brightness multicolor illumination device.

5 Additional features and advantages of the invention will be set forth in the descriptions that follow and in part will be apparent from the description, or may be learned by practice of the invention. The objectives and other advantages of the invention will be realized and attained by the structure particularly pointed out in the written description and claims thereof as well as the appended drawings.

10 To achieve these and other advantages and in accordance with the purpose of the present invention, as embodied and broadly described, the present invention provides an illumination device for providing multicolor light, which includes: a light source for generating an excitation light; and a moving plate including two or more segments, wherein one or more of the segments each contains a wavelength conversion material capable of  
15 absorbing the excitation light and emitting light having wavelengths different from that of the excitation light, wherein a first segment contains a first wavelength conversion material, and a second segment either contains a different wavelength conversion material or contains no wavelength conversion material, wherein a part of the moving plate is disposed on an optical path of the excitation light, and wherein the moving plate is supported to move so that  
20 different segments are exposed to the excitation light at different times. The illumination device may optionally include focusing optics and coupling optics disposed between the light source and the moving plate, a dichroic filter disposed between the wavelength conversion material and the light source, an angle-selective reflecting layer located adjacent the wavelength conversion material on a side opposite to the light source, a reflector cup with an  
25 exit aperture disposed adjacent the wavelength conversion material, and/or a reflective polarizer and a waveplate disposed adjacent the wavelength conversion material.

In another aspect, the present invention provides a method for generating multicolor light, which includes: generating an excitation light using a light source; directing the excitation light onto a segment of a moving plate, the moving plate having two or more  
30 segments, wherein one or more of the segments each contains a wavelength conversion material capable of absorbing the excitation light and emitting light having wavelengths different from that of the excitation light, wherein a first segment contains a first wavelength conversion material, and a second segment either contains a different wavelength conversion material or contains no wavelength conversion material; and moving the moving plate so that

different segments are exposed to the excitation light at different times to generate emitted light of different colors.

It is to be understood that both the foregoing general description and the following detailed description are exemplary and explanatory and are intended to provide further  
5 explanation of the invention as claimed.

#### BRIEF DESCRIPTION OF THE DRAWINGS

Figure 1 is a schematic view of an illumination device according to an embodiment of the present invention.

10 Figure 2 shows exemplary excitation and emission spectra for a wavelength conversion material.

Figures 3a and 3b are schematic views of a rotary wheel with wavelength conversion material used in the embodiment shown in Figure 1.

15 Figure 4 is a schematic view of a projection system using the illumination device of Figure 1.

Figure 5 is a schematic view of a rotary wheel according to another embodiment of the present invention.

Figure 6a is an example of spectral characteristics of a band-pass coating.

20 Figure 6b is an example of angular characteristics of an angle-selective reflecting coating.

Figure 7 illustrates how light travels within a section of the rotary wheel in the embodiment of Figure 5.

Figures 8a and 8b are schematic views of an alternative embodiment of the present invention.

25 Figure 9 is a schematic view of an alternative embodiment of the present invention.

Figure 10 is a schematic view of an alternative embodiment of the present invention.

Figures 11a and 11b are schematic views of an alternative embodiment of the invention using a moving plate with wavelength conversion materials.

Figure 12 is a schematic view of a variation of the moving plate shown in Figure 11b.

30 Figures 13a and 13b are schematic views of an alternative embodiment of the present invention.

Figures 14a and 14b are schematic views of alternative embodiments of the present invention using multiple light sources.

Figure 15 is a schematic view of an alternative embodiment of the present invention using light sources at multiple wavelengths.

Figure 16 show timing charts illustrating light intensity modulation according to another embodiment of the present invention.

5

#### DETAILED DESCRIPTION OF THE PREFERRED EMBODIMENTS

Embodiments of the present invention provide a multicolor illumination device using an excitation light source and a multi-segmented moving plate with wavelength conversion materials, i.e., a plate having segments each containing a different wavelength conversion material (or no wavelength conversion material), where the plate is supported to move so that different segments are exposed to the excitation light at different times. The movement may be a rotation or a linear oscillation. When the moving plate moves, light of different colors is generated sequentially in time by the different wavelength conversion materials in different segments of the moving plate. The illumination device also includes focusing optics and a dichroic filter that passes shorter wavelength light and reflects longer wavelength light. Other components such as an angle-selective reflecting layer, a reflective polarizer and a waveplate, etc., may also be provided. The exciting light source may be a light emitting diode (LED) or a laser diode (LD) emitting in the UV and/or blue region (for example, 360 nm, 405 nm and 420 nm, or combinations thereof). The wavelength conversion materials are preferably phosphorescent materials, including phosphors and nano-materials such as quantum dots. Fluorescent materials may also be used as wavelength conversion materials, but they may not be suitable for certain applications such as projectors that require a relatively fast emission response. The absorption spectrum of the conversion material preferably covers the wavelengths of the excitation light. The emission wavelength of the conversion material may be broad (e.g., a broad range or the whole visible range) or narrow (single color, such as red, blue and green). Different phosphors with different emission spectra may be provided on the plate.

With reference to Fig. 1, an illumination device according to an embodiment of the presented invention comprises a light source 100, focus optics 102, and a rotary wheel with wavelength conversion materials 104. The wheel 104 is formed of optical transparent materials, such as glass, plastic such PMMA, etc. The wavelength conversion materials may be deposited on a surface of the wheel, or doped into the material that forms the wheel. The rotary wheel 104 is supported to rotate around its axis A. Excitation light from the light source 100 is focused by the focus optics 102 on to a small area of the rotary wheel 104. Fig.

2 illustrates the excitation spectrum and emission spectrum of an exemplary wavelength conversion material that may be provided on the rotary wheel 104. The wavelength conversion material absorbs excitation light at one wavelength range and emits light at a different wavelength range. Typically, the wavelength range of the emitted light is longer than the wavelength range of the excitation light. The excitation light from the light source 100 excites the wavelength conversion materials on the rotary wheel 104 and the wavelength conversion materials emit light at a different wavelength range than the light emitted from the light source 100.

The light source 100 may be regular lamps, or solid-state light source including laser and light emitting diodes (LED). For solid-state light sources, the wavelength of the light typically ranges from 300 nm to 500 nm. For example, many LED manufacturers produce light emitting diodes emitting at 460 nm (so called Blue LED). Cree Inc. produces deep blue LEDs near 400 nm. Nichia Co. produces UV LEDs near 365 nm. Laser manufacturers such as Sharp and Nichia produce lasers emitting near 405 nm. One major advantage of solid-state light sources over conventional lamps including mercury lamp is the modulation capability. Both lasers and LEDs can be modulated at a frequency higher than one mega Hertz.

Figs. 3a and 3b (side view and plan view, respectively) illustrate an exemplary configuration of the rotary wheel 104. The rotary wheel 104 has a round shape divided into two or more segments each containing a wavelength conversion material. In the illustrated example, there are four segments: Red, Green, Blue and White. The Red, Green, and Blue segments have wavelength conversion materials 110R, 110G, and 110B, respectively. Wavelength conversion materials 110R, 110G, and 110B preferably emit light at wavelength from 580 nm to 700 nm, 500 nm to 580 nm, and 400 nm to 500 nm, respectively. The white segment has a wavelength conversion material 110W emitting light from 480 nm to 700 nm and can partially pass the shorter wavelength of Blue light ranging from 400 nm to 500 nm, which results in combined white light. When the rotary wheel 104 rotates around its axis, the area of the wheel that receives the excitation light changes, for example, from Red to Green to White and to Blue segments, and different color light is emitted as a result. The rate of color change of the emitted light is directly related to the wheel rotation speed.

The rotary wheel configuration of Fig. 3 may have alternative implementations. For example, when the light source 100 emits blue light, the Blue segment may simply be a transparent material without a blue wavelength conversion material. The plate may be divided into as few as two segments containing two different wavelength conversion materials, or two segments one containing a wavelength conversion materials and one

contains none, to form a two-color illumination source. The plate may be divided into more segments, for example, eight segments containing Red, Green, White, Blue, Red, Green, White and Blue wavelength conversion materials, respectively. The angular sizes of the segments may be equal or non-equal. When the angular sizes are non-equal, the relative duration of emission of each color is determined by the angular size of the segments assuming a uniform rotation.

Fig. 4 illustrates an application of a light source according to an embodiment of this invention. A projection system comprises light source 100, focusing optics 102, rotary wheel with wavelength conversion materials 104, light integrator 202, relay optics or collecting optics 204, prism 206, microdisplay imager 208, and projection lens 210. Light from light source 100 becomes multi-color lights after passing through the rotary wheel 104, and then passes through the light integrator 202 for intensity homogenization (scrambling). The relay optics 204 focuses the scrambled light through the prism 206 onto the microdisplay imager 208. The light modulated by the microdisplay imager 208 is projected to a display screen by projection lens 210. Multi-color images are obtained through synchronization between the microdisplay imager 208 and the rotary wheel 104 (the signal processor that controls the rotary wheel 104 and the microdisplay imager 208 is not shown).

Fig. 5 illustrates a rotary wheel 104 according to another embodiment of the present invention. The rotary wheel 104 includes a wavelength conversion material 110, a band-pass coating 120 on a surface of the wheel on side facing the light source, and an angle-selective reflective coating 122 on the other surface of the wheel. Fig. 6a illustrates the optic property of an exemplary band-pass coating 120. The band-pass coating 120 (also referred to as a dichroic filter) allows light of specified wavelengths to pass through and reflect light of all other wavelengths. In Fig. 6a, blue light from 460 nm to 480 nm can pass through the coating and light from wavelength 500 nm to 680 nm is reflected. The dichroic filter 120 may also be located at other locations of the optical path, such as before the focusing optics 102. Fig. 6b illustrates the optic property of an exemplary angle-selective reflective coating 122. The angle-selective reflective coating 122 substantially reflects light at incident angles greater than a specified angle and substantially transmits light at smaller incident angles. In Fig. 6b, the light at incident angles less than 15 degree is transmitted through the coating 122 and light at incident angles greater than 25 degree is reflected.

Fig. 7 illustrates how the light emitted from wavelength conversion material 110 propagates out of the rotary wheel 104. The excitation light, for example blue light at 460 nm, is transmitted through the band-pass coating 120 and excites the wavelength conversion

materials 110. The wavelength conversion materials 110 emit light at longer wavelengths, for example 550 nm. The light emitted at smaller incidence angles with respect to angle-selective reflective coating 122 will be transmitted through the coating 122. The light emitted at larger incidence angles will be reflected by the coating 122 back to the wavelength conversion

5 materials 110 and scattered there. Some of the scattered light is at smaller incident angles and will pass through the angle-selective reflective coating 122. Other large angle light will be reflected by the coating 122 and scattered in the wavelength conversion material 110 again. The band-pass coating 120 will block the emitted light from transmitting backwards towards the excitation light source 100. The combination of the band-pass coating 120 and the angle-

10 selective coating 122 will make the emission light propagate in one direction at small incidence angle. As a result, higher brightness of the emitted light is obtained.

Figs. 8a (plan view) and 8b (partial cross-sectional view along the line A-A in Fig. 8a) illustrate another embodiment of this invention. A ring-shaped reflector cup 124 with an exit aperture 126 covers the wavelength conversion material 110. Since the exit aperture is

15 smaller than the light emitting area of the wavelength conversion material, light emitted by the wavelength conversion material at large incident angles will be reflected by the sidewall of the reflector cup 124 back to the wavelength conversion material 110 where it is scattered. Light emitted by the wavelength conversion material 110 that propagates at smaller incidence angles can escape out of the exit aperture 126. As a result, higher brightness of the emitted

20 light is obtained.

Fig. 9 illustrates another embodiment of this invention. One side surface of the rotary wheel 104 is covered with a band-pass coating 120. A wavelength conversion material 110 and an angle-selective reflective coating 122 are attached to the rotary wheel 104. The wavelength conversion material 110 and the angle-selective reflective coating 122 have

25 smaller area than the area of the wheel. As a result, the cost of the device shown in Fig. 9 can be lower than the cost of the device shown in Fig. 5.

Fig. 10 illustrates another embodiment of this invention. A groove is provided inside the rotary wheel 104 (a cross-sectional view or a portion of the wheel 104 is shown here), and the wavelength conversion materials 110 are located in the groove. An angle-selective

30 reflective coating 122 and a band-pass coating 120 are provided on both sides of the wavelength conversion materials 110.

Figs. 11a and 11b illustrate another embodiment of this invention. A rectangular moving plate 130 replaces the rotary wheel 104 in the embodiment shown in Fig. 1. Multi-color wavelength conversion materials such as a red wavelength conversion material 110R, a

green wavelength conversion material 110G, and a blue wavelength conversion material 110B are arranged linearly on the moving plate 130. Excitation light from the light source 100 is focused by the focusing optics 102 on to the wavelength conversion materials of the moving plate 130. When the moving plate 130 oscillates linearly (as indicated by the arrows in Fig. 11a), the wavelength conversion materials 110R, 110G, and 11B are excited alternately and alternating color emission light is generated.

Fig. 12 illustrates a variation of the moving plate 130 shown in Fig. 11b. To increase the color alternation frequency of the light emission, multiple sets of wavelength conversion materials 110R, 110G and 110B are provided on the moving plate 130 (two sets are shown here). The light alternation frequency will be the product of the oscillation frequency of the moving plate and the number of sets of the wavelength conversion material. As a result, higher color alternation frequency can be obtained or the requirement of the oscillation frequency of the moving plate 130 can be reduced.

Figs. 13a and 13b illustrate two alternative embodiments of the device shown in Figs. 11a and 11b. In Fig 13a, a band-pass coating 120 that only transmits excitation light from the light source 100 is located on the moving plate 130 facing light source. An angle-selective reflective coating 122 is located adjacent the wavelength conversion layers 110R, 110G, and 110B. As a result, only emitted light from the wavelength conversion material with smaller incident angles with respect to the moving plate 130 can exit the angle-selective reflective coating 122 and the brightness of the emitted light is increased. In Fig, 13b, a reflective polarizer 128 is located adjacent the wavelength conversion layer 110R, 110G, and 110B. The reflective polarizer 128 only transmits emitted light from the wavelength conversion materials in one polarization state and reflects the emitted light in the orthogonal polarization state back to the wavelength conversion layers 110R, 110G and 110B. The reflected light is scattered by the wavelength conversion material and typically changes their polarization state. Some of the light will be bounced back to the reflective polarizer 128 and pass through it since their polarization state is changed. As a result, the brightness in that polarization state, which is determined by the reflective polarizer 128, is increased. To enhance the efficiency in the polarization change, a phase retardation plate 132 can be inserted between reflective polarizer 128 and the wavelength conversion layers 110R, 110G and 110B. The phase retardation plate may be a quarter-wave waveplate.

Figs. 14a and 14b illustrate another embodiment of this invention. To increase the excitation energy from the light source 100, multiple solid-state light sources can be employed. For example, a densely packaged laser array or LED array can be configured for

use as the light source 100 as shown in Fig. 14a. Besides an array format, light from multiple lasers and LEDs can be combined through an optic fiber bundle or a fiber coupler as schematically illustrated in Fig. 14b

Fig. 15a illustrates another embodiment of this invention. To increase the excitation energy from the light source, multiple light sources emitting at different wavelengths can be employed. In the illustrated embodiment, two light sources 100a and 100b emitting at a first and a second wavelength are used to excite the wavelength conversion material 110 on the rotary wheel 104. Excitation light from the light source 100a excites the wavelength conversion material 110 from the backside of rotary wheel 104. Excitation light from the light source 100b is transmitted through a dichroic plate 140. The dichroic plate 140 transmits light at the second wavelength and reflects light at other wavelengths. As a result, the light emitted from the wavelength conversion material 110 is reflected by the dichroic plate 140. A specific example is given to further illustrate this embodiment. In this example, the light source 100a is a blue LED emitting light at 460 nm. The light source 100b is a UV laser emitting light at 405 nm. The excitation light from the light source 100a excites the wavelength conversion material 110 and produces red, green, blue and white light. The dichroic plate 140 is deposited with dielectric layers which only passes light below 425 nm and reflects light from 425 nm to 700 nm. The UV light from the light source 100b is transmitted through the dichroic plate 140 and excites the wavelength conversion material 110. The light from the wavelength conversion materials and light source 100a will be reflected by the dichroic plate 140.

Fig. 15b illustrates another embodiment similar to that show in Fig. 15a but with all light sources 100a, 100b, etc. located on one side of the rotary wheel 104. A dichroic plate 140 is located between the sources 100a, 100b, etc. and the rotary wheel with wavelength conversion material 104 to combine the excitation light from the light sources 100a and 100b. The dichroic plate 140 transmits excitation light from the source 100a and reflects excitation light from the source 100b which has a different wavelength range from the source 100a. The combined light from the two sources 100a, 100b is directed to the wavelength conversion material on the rotary wheel 104.

Fig. 16 is a timing chart illustrating the principle of light intensity modulation according to another embodiment of this invention. To modulate the emission light intensity from the wavelength conversion material 110, a modulation scheme is applied to the excitation light source 100. Since the wavelength conversion materials can rapidly react to the excitation light, a modulated excitation light can lead to the intensity modulation of

emission lights. Various modulation methods may be used. In the example illustrated in Fig. 16, the waveform of the excitation light is a rectangular wave and modulation may be accomplished by pulse width modulation. Alternatively, triangular waves, sinusoidal waves, or other waveforms may be used. In addition, different modulation schemes may be used for different excitation lights or to excite different wavelength conversion materials. For example, some of the wavelength conversion materials may require stronger excitation light than others.

Multicolor illumination devices according to embodiments of the present invention have many advantages. For example, light at various peak wavelengths can be easily obtained. One set of LD or LED excitation light sources with similar wavelength can be used. No color wavelength division multiplexer in the visible region is required. The output colors are not limited by the LD or LED chips. It also simplifies the image projection design. The peak wavelengths of the emitted light can be rapidly changed, and the intensity can be easily modulated. In addition, when appropriate focusing and collecting optics is used, the emitted light has a small Etendue. Such multicolor illumination devices may be useful in mini projectors.

It will be apparent to those skilled in the art that various modification and variations can be made in the multicolor illumination device of the present invention without departing from the spirit or scope of the invention. Thus, it is intended that the present invention cover modifications and variations that come within the scope of the appended claims and their equivalents.

## WHAT IS CLAIMED IS:

1. An illumination device for providing multicolor light, comprising:
  - a light source for generating an excitation light;
  - a plate including two or more segments, wherein one or more of the segments each contains a wavelength conversion material capable of absorbing the excitation light and emitting light having wavelengths different from that of the excitation light,
    - wherein a first segment contains a first wavelength conversion material, and a second segment either contains a different wavelength conversion material or contains no wavelength conversion material,
    - wherein a part of the plate is disposed on an optical path of the excitation light, and
    - wherein the plate and the excitation light are moveable relative to each other so that different segments are exposed to the excitation light at different times; and
    - a dichroic element disposed between the wavelength conversion material and the light source, the dichroic element transmitting the excitation light and reflecting light emitted by the wavelength conversion materials.
2. The illumination device of claim 1, wherein the light source is a solid-state light source.
3. The illumination device of claim 2, wherein the light source is a laser diode or a light emitting diode.
4. The illumination device of claim 2, wherein the light source includes multiple laser diodes, multiple light emitting diodes, or both laser diodes and light emitting diodes.
5. The illumination device of claim 4, further comprising:
  - an optic fiber coupler or an optic fiber bundle for combining light generated by the laser diodes or light emitting diodes or both.
6. The illumination device of claim 1, further comprising:
  - focusing optics disposed between the light source and the plate.
7. The illumination device of claim 1, wherein the plate is made of an optical transparent material.

8. The illumination device of claim 1, wherein the plate has a round shape and is divided by radial lines into the two or more segments, and wherein the plate is supported to rotate about an axis.
9. The illumination device of claim 1, wherein the plate includes two or more wavelength conversion materials.
10. The illumination device of claim 1, wherein the wavelength conversion materials include phosphors or quantum dots.
11. The illumination device of claim 1, wherein the wavelength conversion materials are doped into a material that forms the plate.
12. The illumination device of claim 1, wherein the wavelength conversion materials are formed on a surface of the plate.
13. The illumination device of claim 1, wherein the wavelength conversion materials are attached to a surface of the plate.
14. The illumination device of claim 1, wherein the plate defines a groove and the wavelength conversion materials are located in the groove.
15. The illumination device of claim 1, wherein the dichroic filter is a band-pass coating on the plate facing the light source.
16. The illumination device of claim 1, further comprising:  
an angle-selective reflecting layer located adjacent the wavelength conversion material on a side opposite to the light source, the angle-selective reflecting layer substantially transmitting light having an incident angle smaller than a predefined angle and substantially reflecting light having an incident angle larger than the predefined angle.
17. The illumination device of claim 1, further comprising:

a reflector cup with an exit aperture disposed adjacent the wavelength conversion material, the exit aperture having an area smaller than an emission area of the wavelength conversion material.

18. The illumination device of claim 1, wherein the segments of the plate are arranged linearly and the plate oscillates linearly.

19. The illumination device of claim 18, wherein the plate includes repeating sets of multiple wavelength conversion materials.

20. The illumination device of claim 1, further comprising:

a reflective polarizer disposed adjacent the wavelength conversion material, the reflective polarizer transmitting light in one polarization state and reflecting light in another polarization state.

21. The illumination device of claim 20, further comprising:

a waveplate located between the reflective polarizer and the wavelength conversion layer.

22. The illumination device of claim 21, wherein the waveplate is a quarter-wave waveplate.

23. The illumination device of claim 1, wherein the light source includes a plurality of sources emitting at different wavelengths.

24. The illumination device of claim 23, wherein a first and a second source are located on one side of the plate, the device further comprising:

a dichroic plate located between the sources and the wavelength conversion material to combine excitation light from the first and second sources, the dichroic plate transmitting the excitation light from the first source in one wavelength range and reflecting the excitation light from the second source in other wavelength range.

25. The illumination device of claim 23, wherein a first and a second source are located on both side of the plate, the device further comprising:

a dichroic plate located between the second source and the wavelength conversion materials, the dichroic plate transmitting excitation light from the second source in one wavelength range and reflecting light emitted by the wavelength conversion material.

26. The illumination device of claim 1, wherein the light source is driven by a pulse width modulated signal.

27. A method for generating multicolor light, comprising:

generating an excitation light using a light source;

directing the excitation light onto a segment of a plate, the plate having two or more segments, wherein one or more of the segments each contains a wavelength conversion material capable of absorbing the excitation light and emitting light having wavelengths different from that of the excitation light, wherein a first segment contains a first wavelength conversion material, and a second segment either contains a different wavelength conversion material or contains no wavelength conversion material, the plate further including a dichroic filter disposed between the wavelength conversion material and the light source, the dichroic filter transmitting the excitation light and reflecting light emitted by the wavelength conversion materials; and

moving the plate and the excitation light relative to each other so that different segments are exposed to the excitation light at different times to generate emitted light of different colors.

28. The method of claim 27, wherein the light source is a laser diode or a light emitting diode.

29. The method of claim 27, wherein the wavelength conversion materials include phosphors or quantum dots.

30. The method of claim 27, wherein the plate further comprises

an angle-selective reflecting layer located adjacent the wavelength conversion material on a side opposite to the light source, the angle-selective reflecting layer substantially transmitting light having an incident angle smaller than a predefined angle and substantially reflecting light having an incident angle larger than the predefined angle.

31. A method for generating multicolor light, comprising:
- generating an excitation light using a light source;
  - directing the excitation light onto a segment of a plate, the plate having two or more segments, wherein one or more of the segments each contains a wavelength conversion material capable of absorbing the excitation light and emitting light having wavelengths different from that of the excitation light, wherein a first segment contains a first wavelength conversion material, and a second segment either contains a different wavelength conversion material or contains no wavelength conversion material;
  - moving the plate and the excitation light relative to each other so that different segments are exposed to the excitation light at different times to generate emitted light of different colors;
  - projecting the light of different colors emitted from the wavelength conversion materials toward a display screen using a microdisplay imager;
  - modulating the light source;
  - controlling the movement of the plate and the light source, the microdisplay imager, and the modulation of the light source in a synchronized manner to generate an image on the display screen.
32. A method for generating a colored light, comprising:
- generating an excitation light using a light source;
  - directing the excitation light onto a segment of a plate, the plate having two or more segments, wherein one or more of the segments each contains a wavelength conversion material capable of absorbing the excitation light and emitting light having wavelengths different from that of the excitation light, wherein a first segment contains a first wavelength conversion material, and a second segment either contains a different wavelength conversion material or contains no wavelength conversion material;
  - moving the plate and the excitation light relative to each other so that different segments are exposed to the excitation light at different times to generate emitted light of different colors;
  - modulating the light source; and
  - controlling the relative movement of the plate and the excitation light and the modulation of the light source in a synchronized manner to generate a colored light.
33. An illumination device for providing multicolor light, comprising:

one or more light sources each for generating an excitation light;

one or more optic fibers for transmitting the excitation light generated by the one or more light sources;

a plate including two or more segments, wherein one or more of the segments each contains a wavelength conversion material capable of absorbing the excitation light and emitting light having wavelengths different from that of the excitation light,

wherein a first segment contains a first wavelength conversion material, and a second segment either contains a different wavelength conversion material or contains no wavelength conversion material,

wherein a part of the plate is disposed on an optical path of the excitation light outputted by the optical fibers, and wherein the plate and the optical fibers are moveable relative to each other so that different segments are exposed to the excitation light at different times.

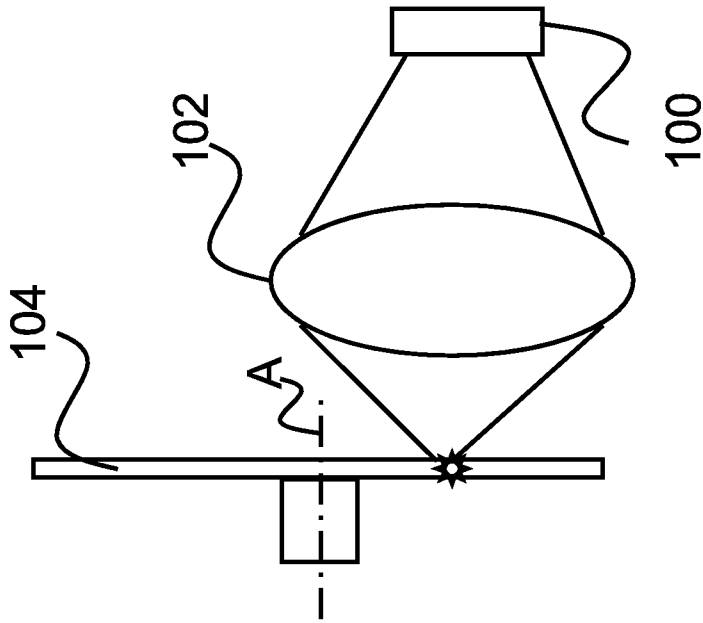


Fig. 1

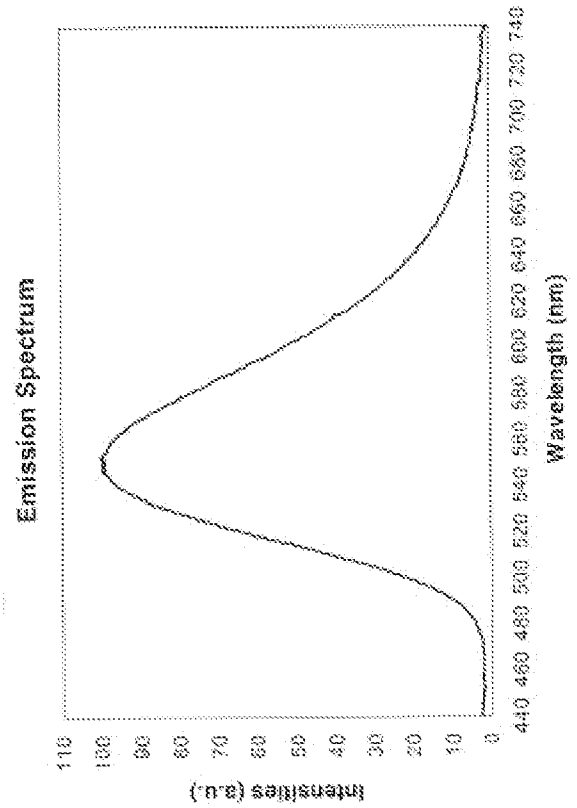
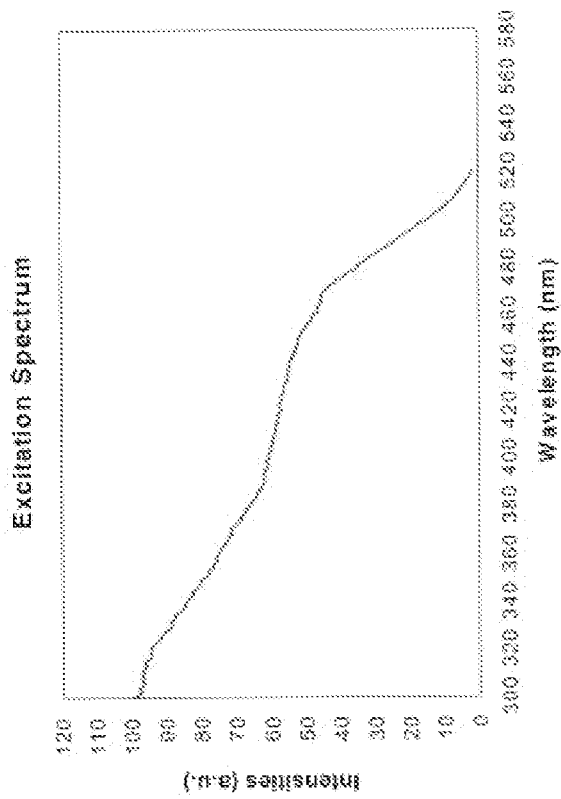


Fig. 2

2/12

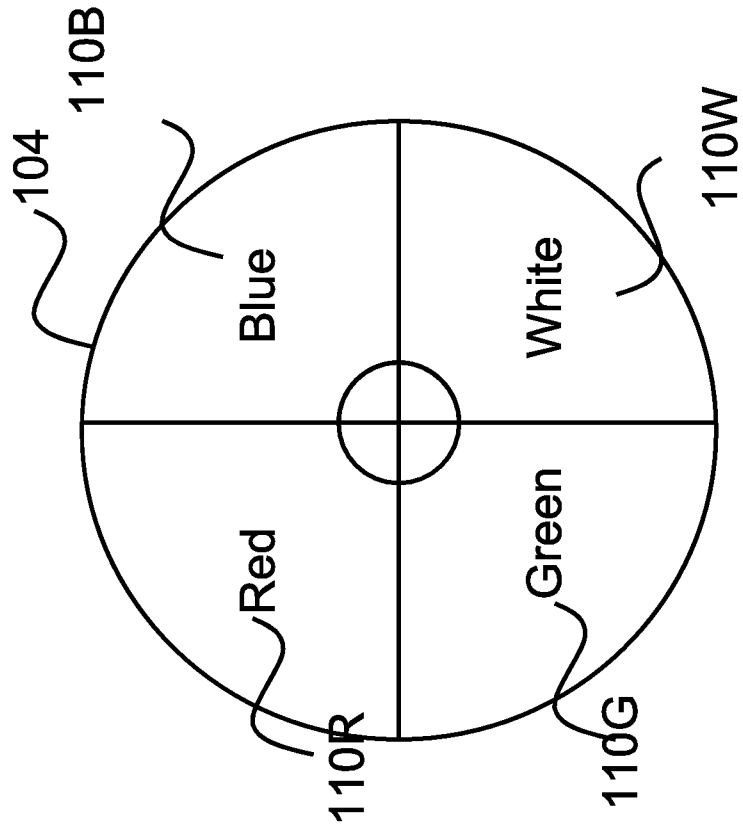


Fig. 3b

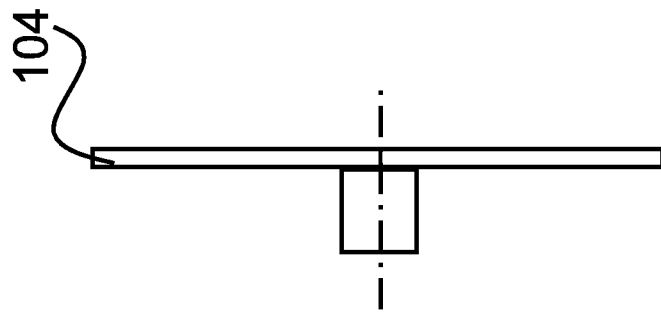


Fig. 3a

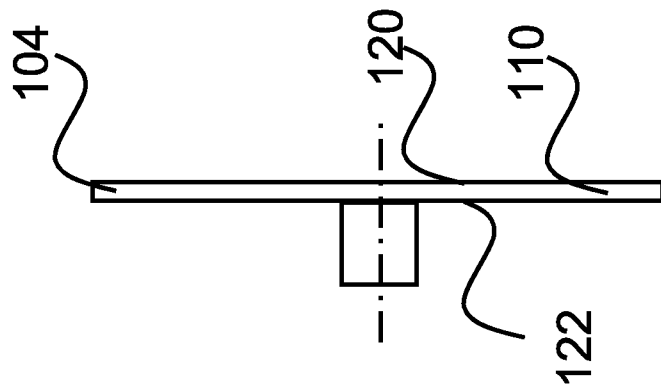


Fig. 5

3/12

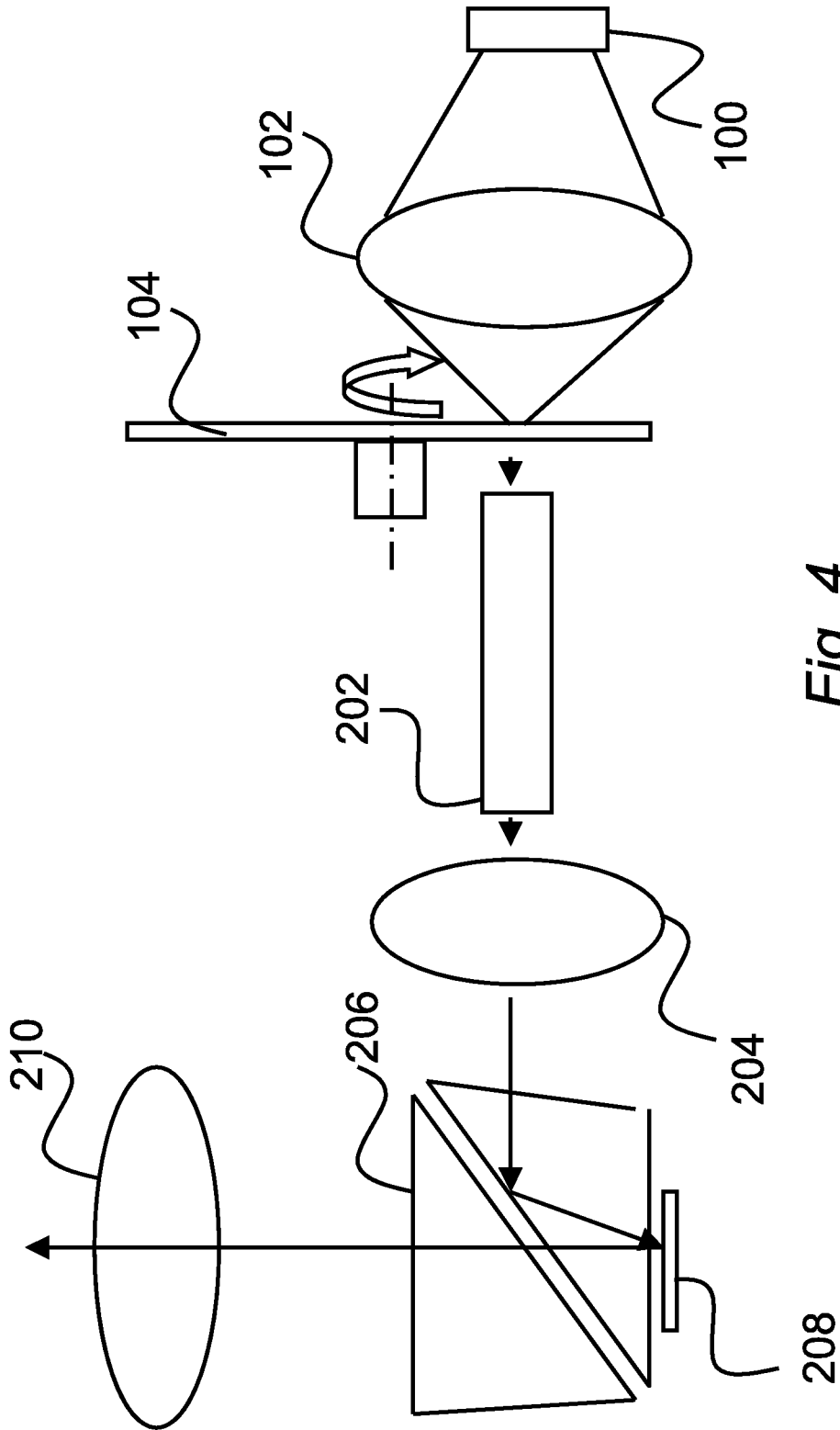


Fig. 4

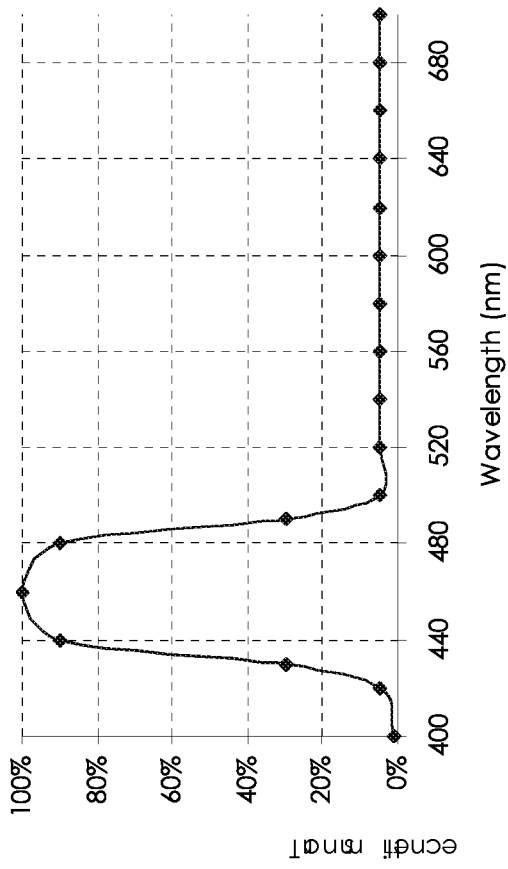


Fig. 6a

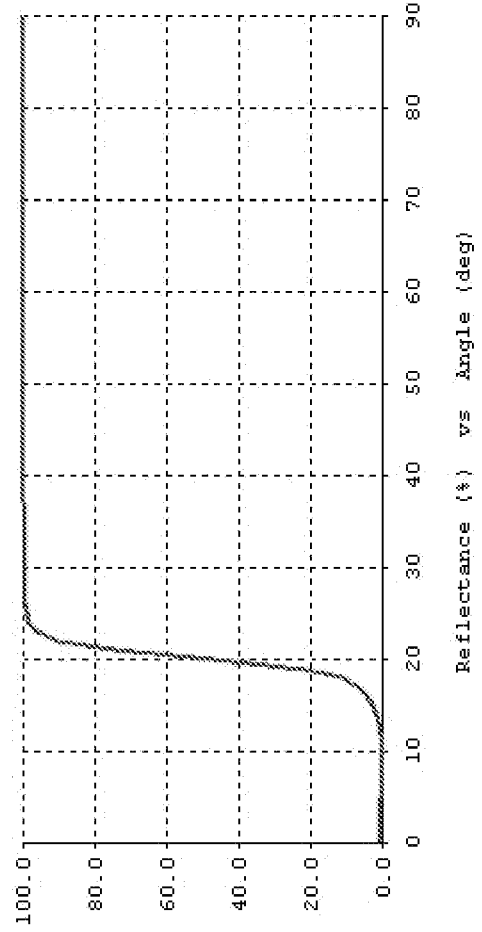


Fig. 6b

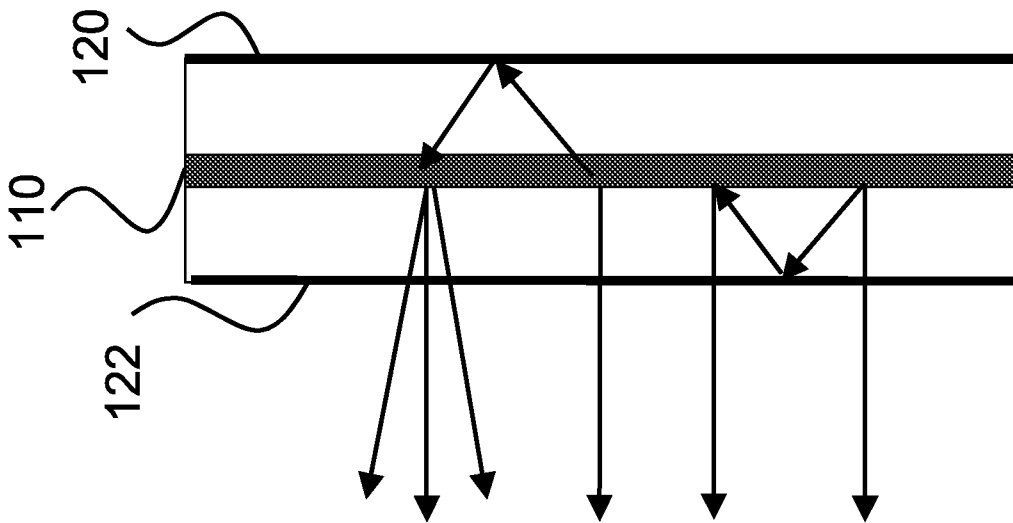


Fig. 7

5/12

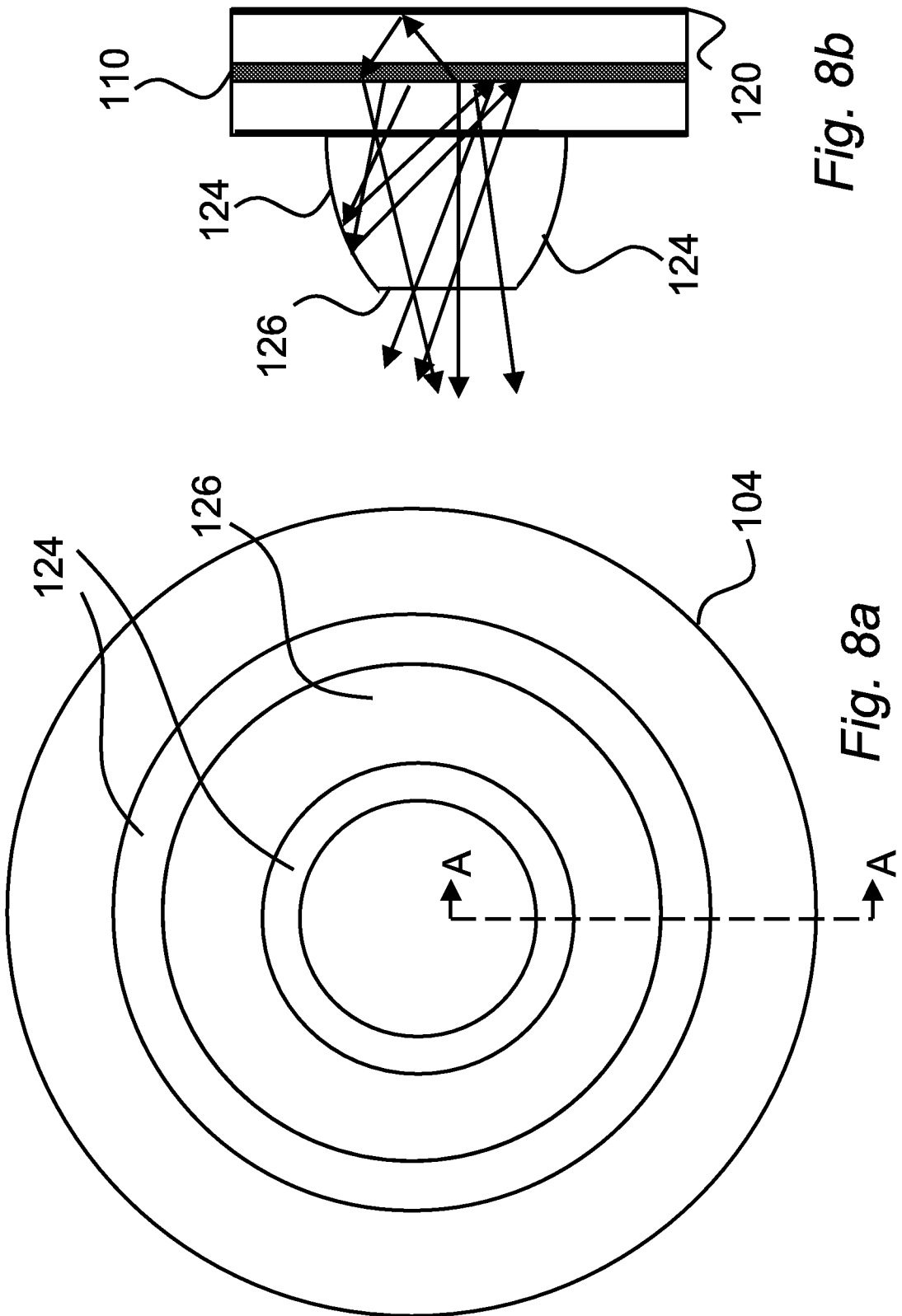


Fig. 8b

Fig. 8a

6/12

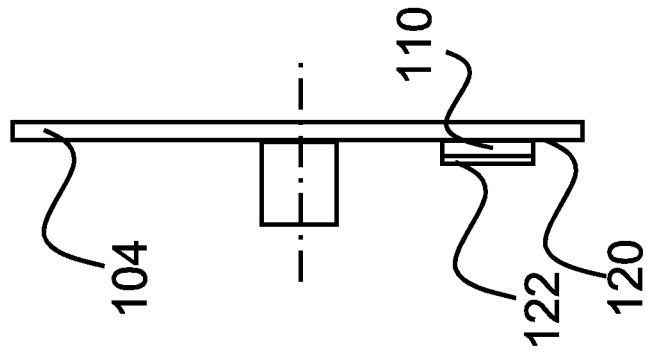


Fig. 9

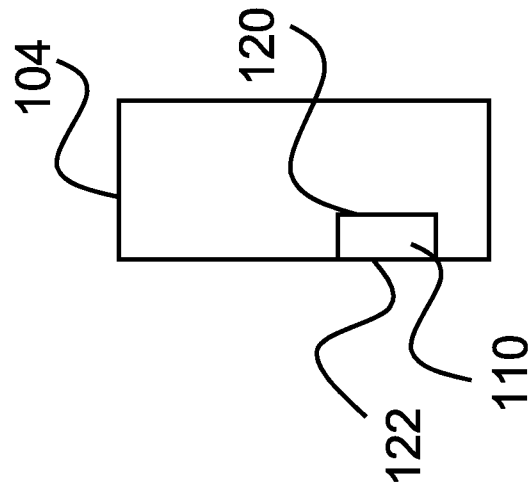


Fig. 10

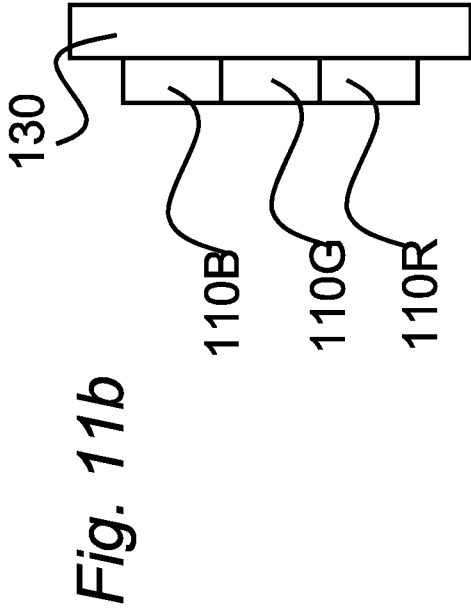
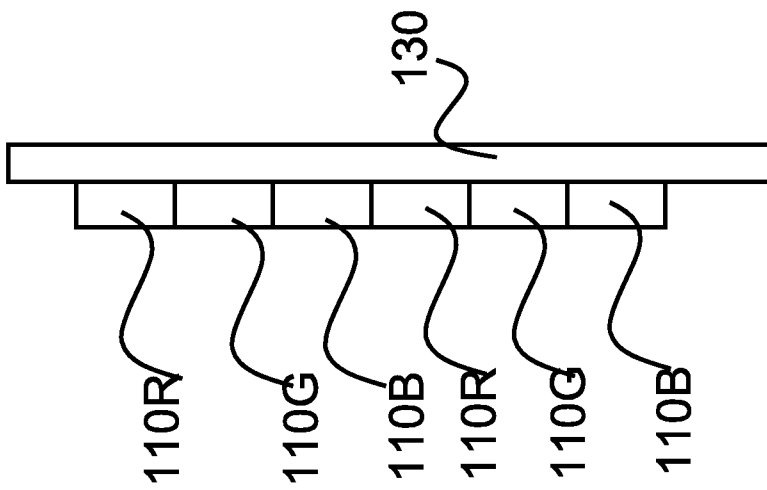


Fig. 12

Fig. 11a

Fig. 11b

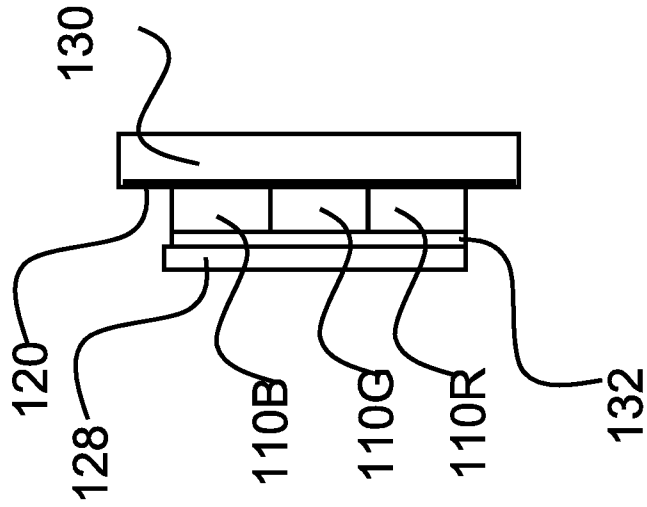


Fig. 13b

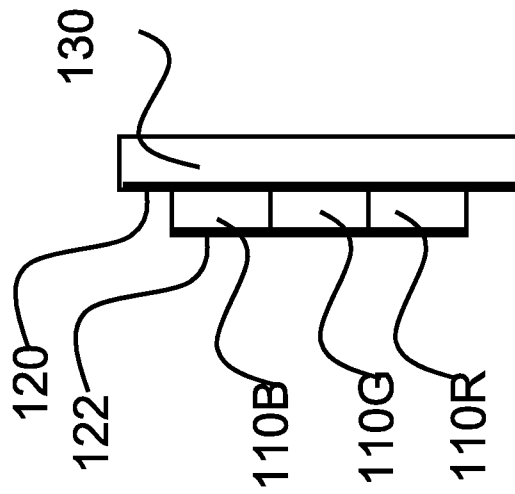


Fig. 13a

9/12

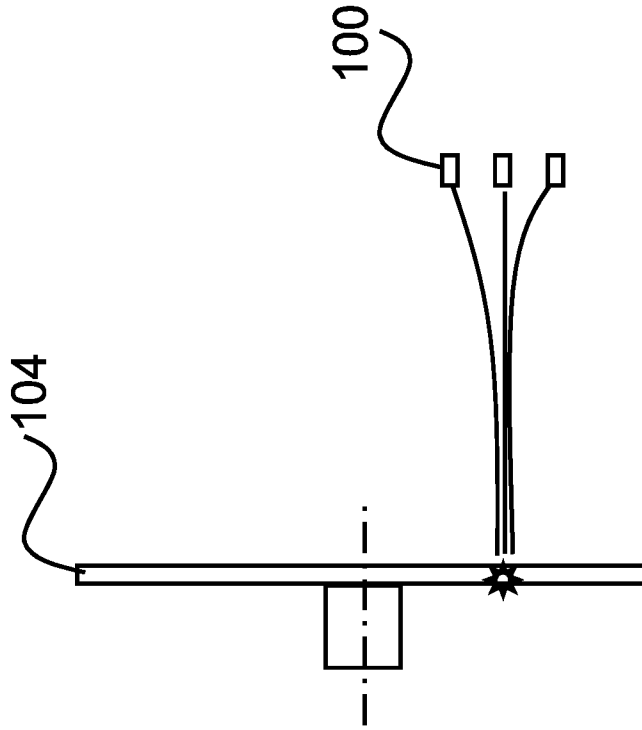


Fig. 14b

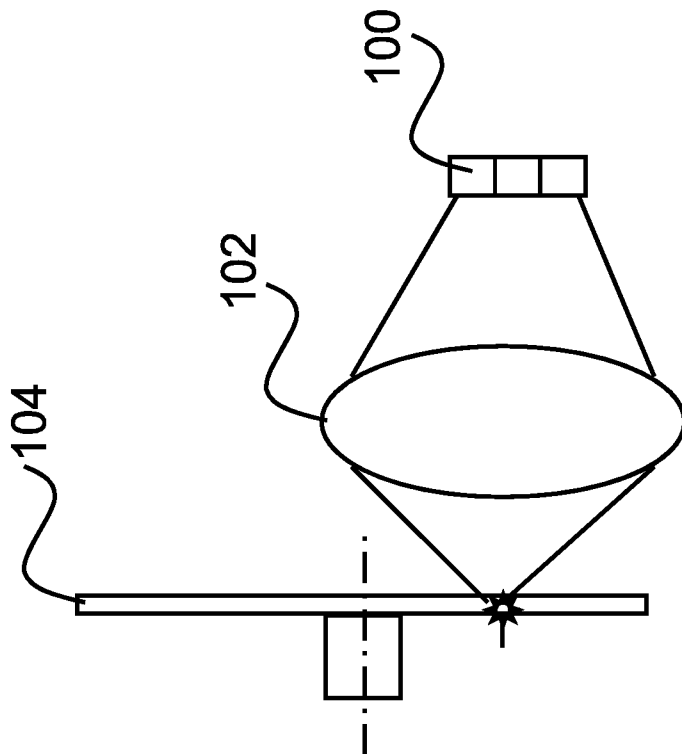


Fig. 14a

10/12

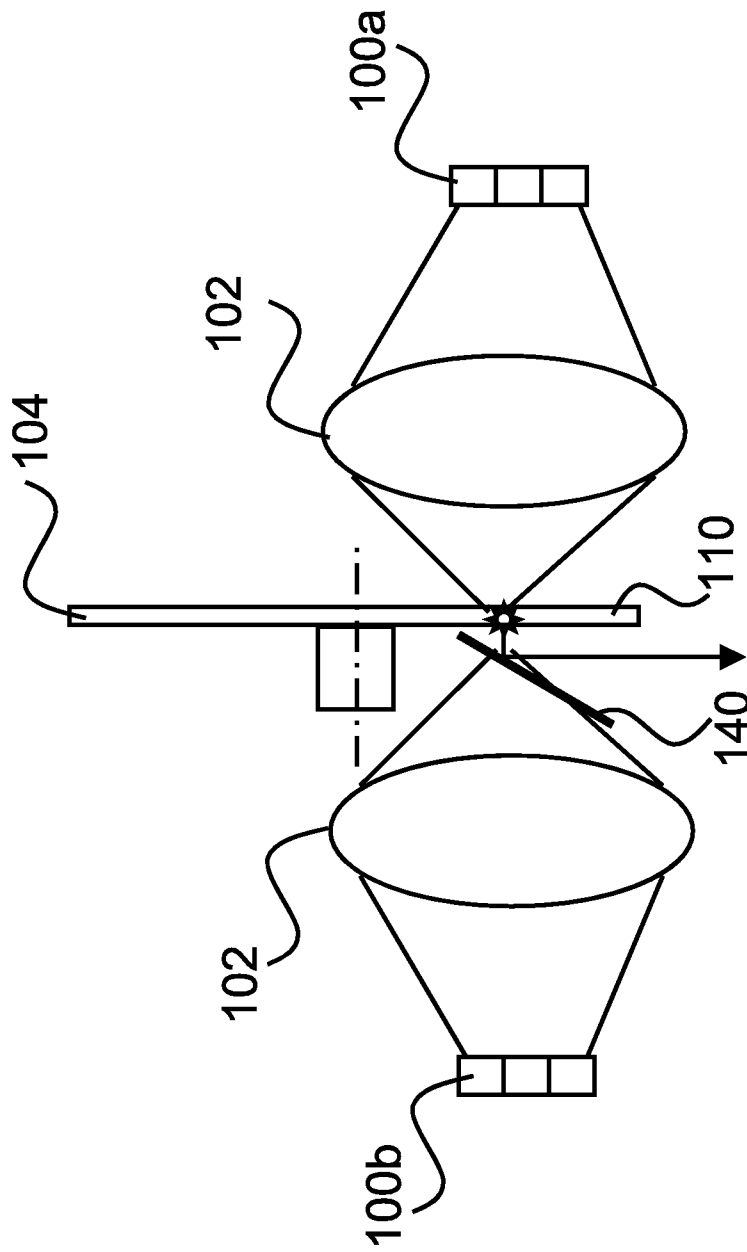


Fig. 15a

11/12

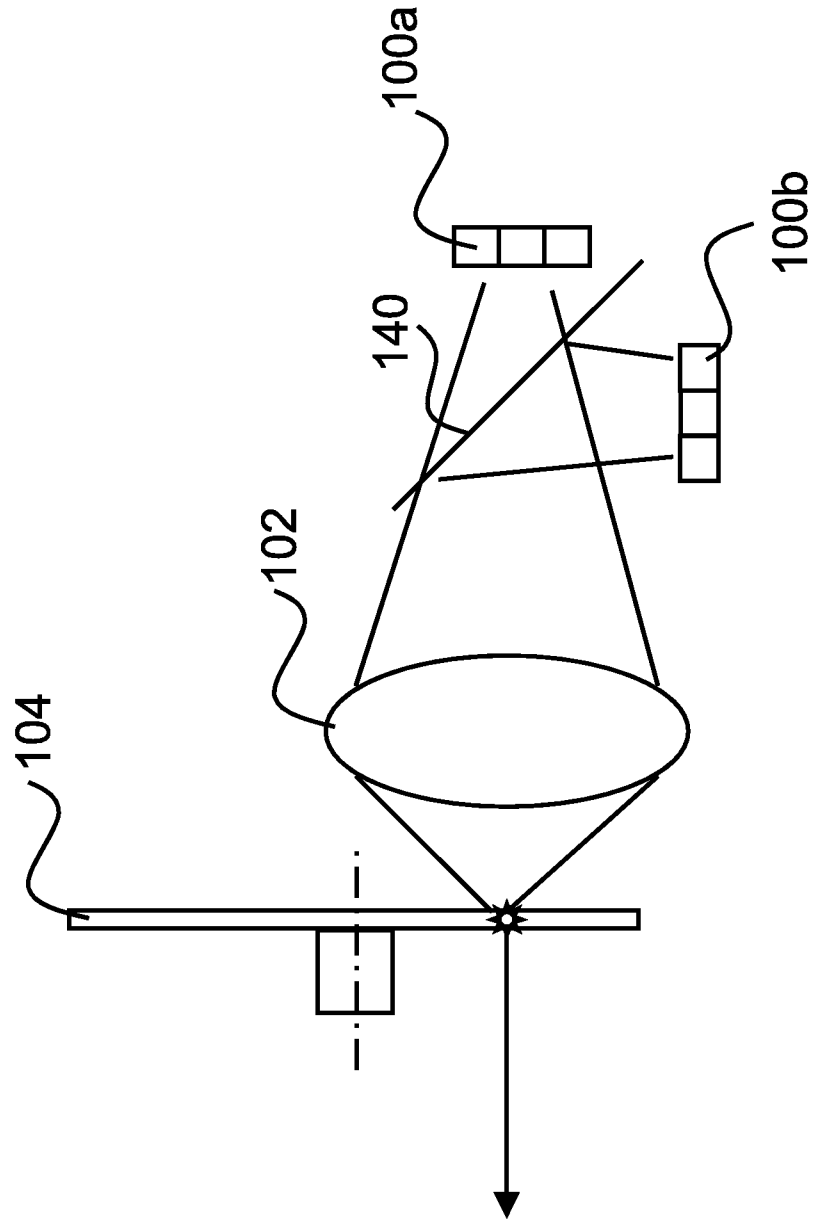


Fig. 15b

12/12

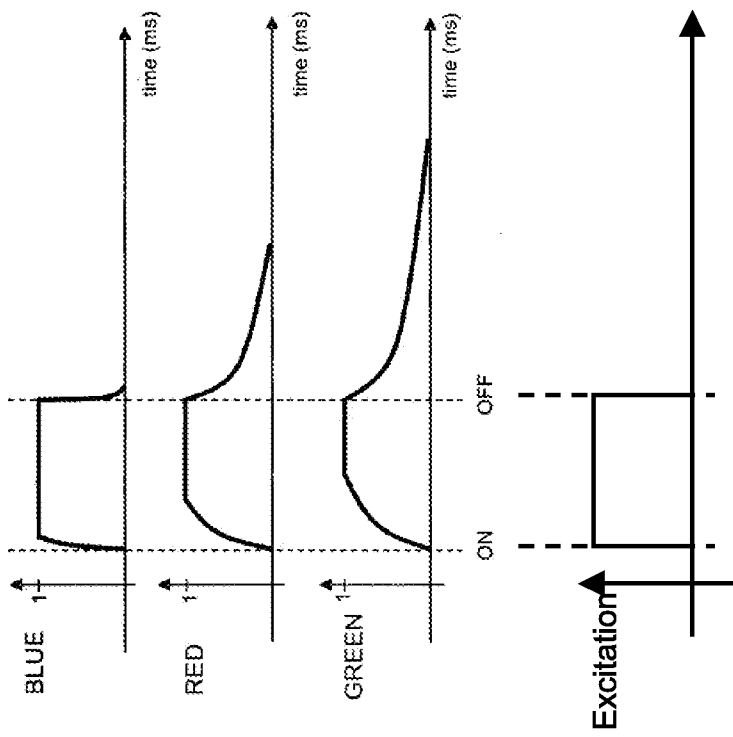


Fig. 16

## INTERNATIONAL SEARCH REPORT

International application No.

PCT/US 08/70555

<b>A. CLASSIFICATION OF SUBJECT MATTER</b> IPC(8) - G03B 21/26 (2008.04) USPC - 353/30 According to International Patent Classification (IPC) or to both national classification and IPC		
<b>B. FIELDS SEARCHED</b> Minimum documentation searched (classification system followed by classification symbols) USPC: 353/30  Documentation searched other than minimum documentation to the extent that such documents are included in the fields searched USPC: 385/901; 345/44; 362/231; 353/30 (text searched)		
Electronic data base consulted during the international search (name of data base and, where practicable, search terms used) Electronic Database Searched: PubWEST(USPT,PGPB,EPAB,JPAB); Google Scholar Search Terms - LED, phosphor, quantum dot, fiber, dichroic, bandpass, quarter, waveplate, pulse, polar		
<b>C. DOCUMENTS CONSIDERED TO BE RELEVANT</b>		
Category*	Citation of document, with indication, where appropriate, of the relevant passages	Relevant to claim No.
X - Y	US 2007/0019408 A1 (McGuire et al.) 25 January 2007 (25.01.2007), entire document, especially para [0022],[0024],[0025],[0042],[0048],[0053],[0058]	1-10, 12-14, 16-19, 23-25, and 27-33 ----- 11, 15, 20-22, and 26
Y	US 2007/0053184 A1 (Brukilacchio) 08 March 2007 (08.03.2007), entire document, especially para [0123] and [0151]	11 and 26
Y	US 2007/0053186 A1 (Reel et al.) 08 March 2007 (08.03.2007), entire document, especially para [0083]	15
Y	US 2005/0265029 A1 (Epstein et al.) 01 December 2005 (01.12.2005), entire document, especially para [0041]	20-22
Y	US 2004/0075817 A1 (Agostinelli et al.) 22 April 2004 (22.04.2004), entire document, especially para [0044]	21 and 22
<input type="checkbox"/> Further documents are listed in the continuation of Box C. <input type="checkbox"/>		
* Special categories of cited documents: "A" document defining the general state of the art which is not considered to be of particular relevance "E" earlier application or patent but published on or after the international filing date "L" document which may throw doubts on priority claim(s) or which is cited to establish the publication date of another citation or other special reason (as specified) "O" document referring to an oral disclosure, use, exhibition or other means "P" document published prior to the international filing date but later than the priority date claimed "T" later document published after the international filing date or priority date and not in conflict with the application but cited to understand the principle or theory underlying the invention "X" document of particular relevance; the claimed invention cannot be considered novel or cannot be considered to involve an inventive step when the document is taken alone "Y" document of particular relevance; the claimed invention cannot be considered to involve an inventive step when the document is combined with one or more other such documents, such combination being obvious to a person skilled in the art "&" document member of the same patent family		
Date of the actual completion of the international search 16 September 2008 (16.09.2008)		Date of mailing of the international search report  <b>22 SEP 2008</b>
Name and mailing address of the ISA/US Mail Stop PCT, Attn: ISA/US, Commissioner for Patents P.O. Box 1450, Alexandria, Virginia 22313-1450 Facsimile No. 571-273-3201		Authorized officer:  Lee W. Young  PCT Helpdesk: 571-272-4300 PCT OSP: 571-272-7774