



US00D670891S

(12) **United States Design Patent**
Bayley

(10) **Patent No.:** **US D670,891 S**

(45) **Date of Patent:** **** Nov. 20, 2012**

(54) **VENTILATED HAT**

(76) Inventor: **Bruce E. Bayley**, Surf City, NJ (US)

(**) Term: **14 Years**

(21) Appl. No.: **29/374,716**

(22) Filed: **Sep. 25, 2011**

(51) **LOC (9) Cl.** **02-03**

(52) **U.S. Cl.** **D2/866; D2/886**

(58) **Field of Classification Search** D2/865,
D2/866, 869, 870, 872, 873, 875, 878, 886,
D2/891; D29/102, 103, 104, 105, 106, 107,
D29/108, 109, 110; 2/171, 171.3, 171.8,
2/172, 175.1, 175.2, 175.5, 175.6, 182.3,
2/182.5, 182.6, 207, 209.13, 209.7, 200.1

See application file for complete search history.

(56) **References Cited**

U.S. PATENT DOCUMENTS

D68,763	S	*	11/1925	Bingham	D2/886
1,706,205	A	*	3/1929	Alonzo	2/172
2,040,355	A	*	5/1936	Wittcoff	2/182.6
2,074,568	A	*	3/1937	Sloan	2/182.3
2,112,383	A	*	3/1938	Sloan et al.	2/182.5
2,117,764	A	*	5/1938	Holmes	2/182.6
2,127,797	A	*	8/1938	Wittcoff	2/182.6
2,416,062	A	*	2/1947	Mercer	2/175.5
D150,245	S	*	7/1948	Mumford	D29/103
D171,754	S	*	3/1954	Endelson	D2/872
2,728,913	A	*	1/1956	Connor	2/10
4,141,083	A	*	2/1979	Waters	2/171.3
4,238,857	A	*	12/1980	Waters	2/171.3
D264,016	S	*	4/1982	Fournier	D2/866
D271,250	S	*	11/1983	Burgin et al.	D2/875
D411,756	S	*	7/1999	Land	D2/866
5,950,241	A	*	9/1999	Gomez	2/172
6,260,204	B1	*	7/2001	Morrissey	2/172
D474,327	S	*	5/2003	Giesen et al.	D2/891

7,200,873	B2	*	4/2007	Klotz et al.	2/171.3
7,290,292	B1	*	11/2007	Nellon	2/171.3
D575,905	S	*	8/2008	Davis et al.	D29/102
7,406,721	B2	*	8/2008	Husbands et al.	2/172
D612,133	S	*	3/2010	Hermann, II	D2/866
D638,205	S	*	5/2011	Castillo	D2/866
7,971,278	B2	*	7/2011	Klamerus, Jr.	2/209.13
2008/0222777	A1	*	9/2008	Schneider	2/209.13
2009/0126076	A1	*	5/2009	Ochoa	2/171.3

* cited by examiner

Primary Examiner — Karen E Eldridge Powers

(74) *Attorney, Agent, or Firm* — Stuart M. Goldstein

(57) **CLAIM**

The ornamental design for a ventilated hat, as shown and described.

DESCRIPTION

FIG. 1 is perspective view of the ventilated hat design of the present invention.

FIG. 2 is a front elevation view of the ventilated hat design of the present invention.

FIG. 3 is a rear elevation view of the ventilated hat design of the present invention.

FIG. 4 is a lateral elevation view of the ventilated hat design of the present invention.

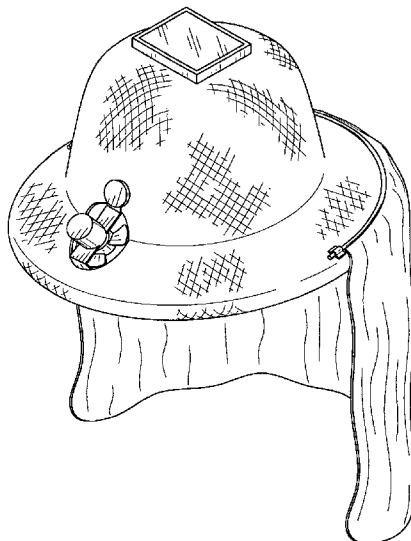
FIG. 5 is another lateral elevation view of the ventilated hat design of the present invention, opposite to that which is shown in FIG. 4.

FIG. 6 is a top plan view of the ventilated hat design of the present invention; and,

FIG. 7 is a bottom view of the ventilated hat design of the present invention.

The broken lines shown in the drawings illustrate features of the article to which the design is applied that form no part of the claim.

1 Claim, 4 Drawing Sheets



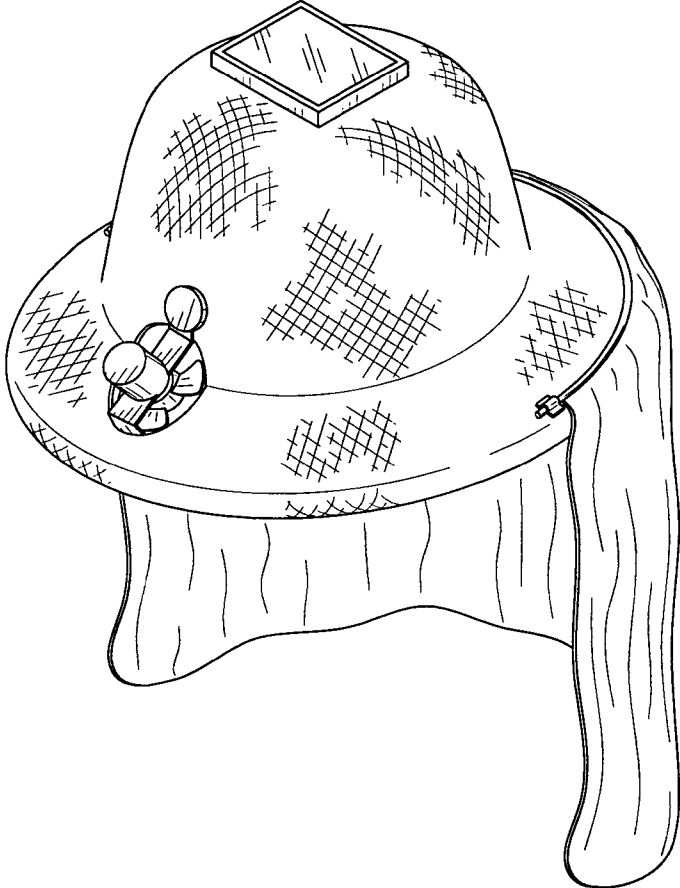


FIG. 1

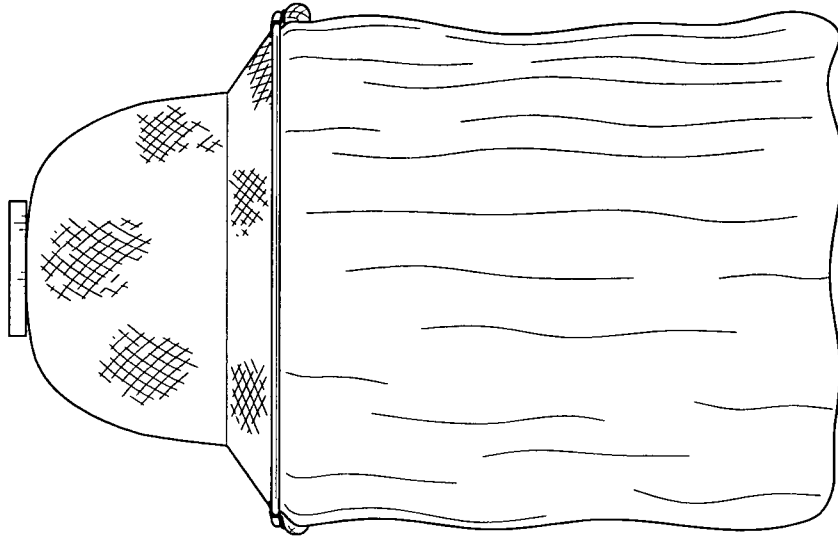


FIG. 3

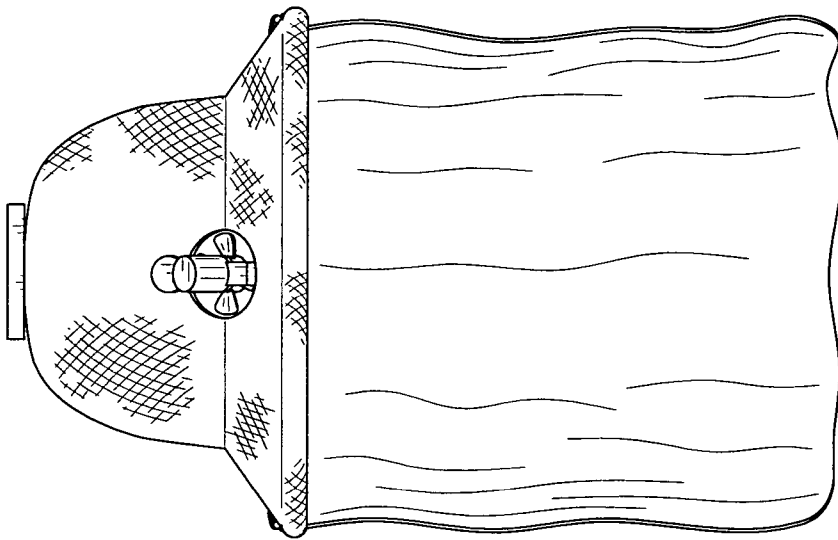


FIG. 2

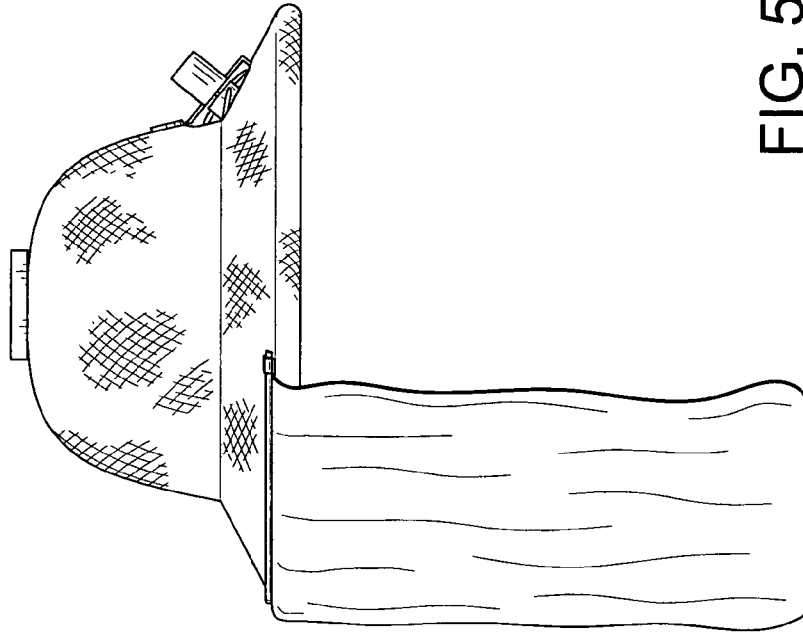


FIG. 5

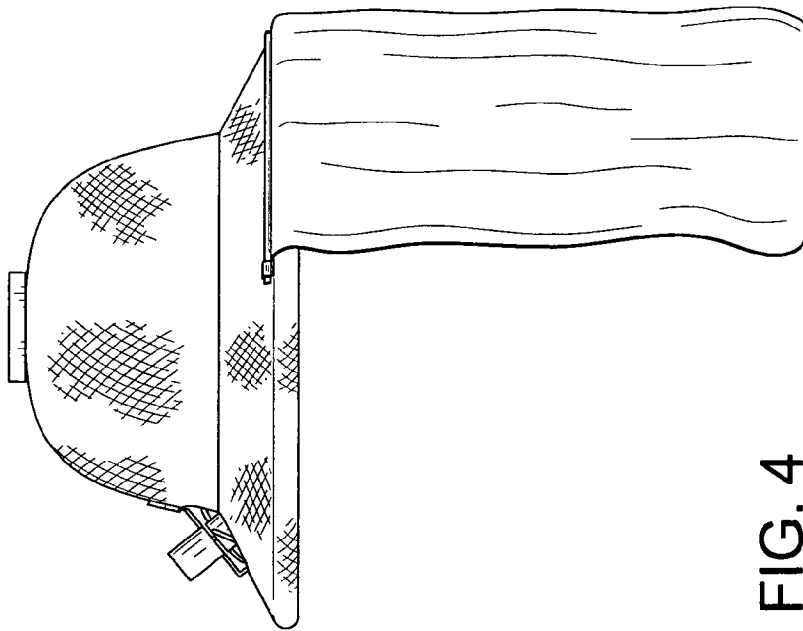


FIG. 4

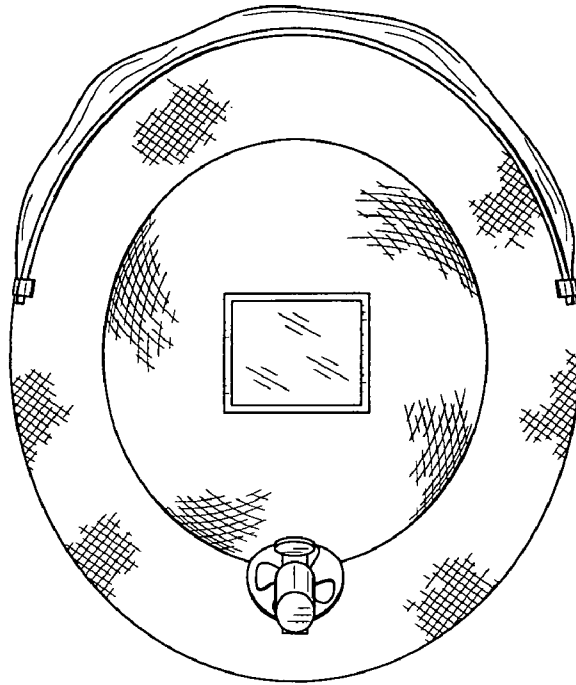


FIG. 6

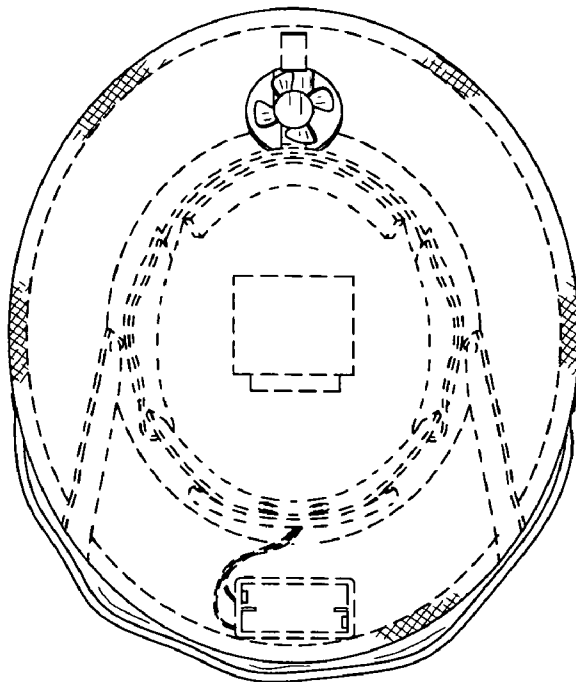


FIG. 7