



US00D723191S

(12) **United States Design Patent**  
**Britton**

(10) **Patent No.:** **US D723,191 S**

(45) **Date of Patent:** **\*\* Feb. 24, 2015**

- (54) **STRUCTURAL BUILDING PANEL**
- (71) Applicant: **Rex Britton**, Prescott, AZ (US)
- (72) Inventor: **Rex Britton**, Prescott, AZ (US)
- (\*\*) Term: **14 Years**
- (21) Appl. No.: **29/474,102**
- (22) Filed: **May 30, 2014**

8,151,527 B2 \* 4/2012 Gosling et al. .... 52/238.1  
 D658,785 S \* 5/2012 Koennecke et al. .... D25/138  
 2003/0182884 A1 \* 10/2003 Kishimoto et al. .... 52/238.1

\* cited by examiner

*Primary Examiner* — Doris Clark

(57) **CLAIM**

The ornamental design for a structural building panel, as shown and described.

**DESCRIPTION**

FIG. 1 is a perspective view showing my new design for a structural building panel from the front, top, and right side; FIG. 2 is a perspective view thereof showing the design from the front, top and left side; FIG. 3 is a perspective view thereof showing the design from the rear, top and left side; FIG. 4 is a perspective view thereof showing the design from the top, rear and right side; FIG. 5 is a perspective view thereof showing the design from the bottom, front and right side; FIG. 6 is a perspective view thereof showing the design from the bottom, rear and left side; FIG. 7 is a right-side elevational view thereof; FIG. 8 is a left-side elevational view thereof; FIG. 9 is a front elevational view thereof; FIG. 10 is a rear elevational view thereof; FIG. 11 is a top plan view thereof; and, FIG. 12 is a bottom plan thereof, and is a mirror image of the view in FIG. 11.

**Related U.S. Application Data**

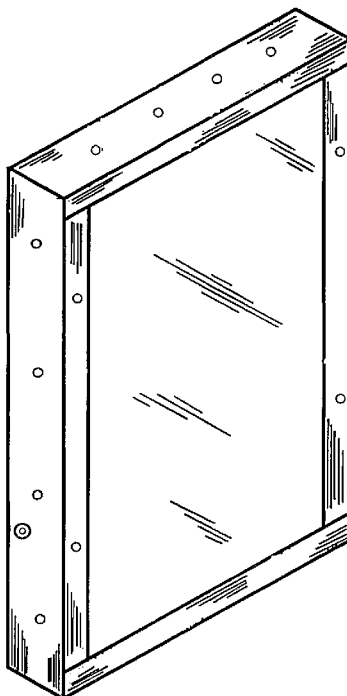
- (63) Continuation of application No. 29/463,931, filed on Apr. 9, 2014.
- (51) **LOC (10) Cl.** ..... **25-01**
- (52) **U.S. Cl.**  
USPC ..... **D25/138**
- (58) **Field of Classification Search**  
USPC ..... D25/138; 52/64, 235, 238.1, 239, 52/243.1, 415, 434  
See application file for complete search history.

**References Cited**

**U.S. PATENT DOCUMENTS**

- 5,417,020 A \* 5/1995 Dobija ..... 52/235
- 6,047,508 A \* 4/2000 Goodman et al. .... 52/241
- 6,619,003 B2 \* 9/2003 Von Arx et al. .... 52/222
- D493,545 S \* 7/2004 Lancia et al. .... D25/138
- D652,956 S \* 1/2012 Tanaka et al. .... D25/138

**1 Claim, 11 Drawing Sheets**



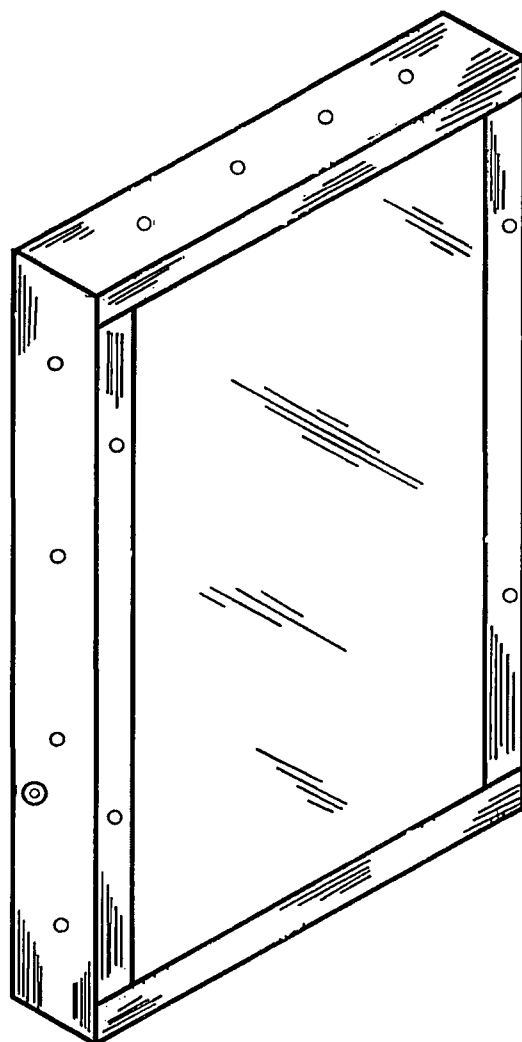


FIG. 1

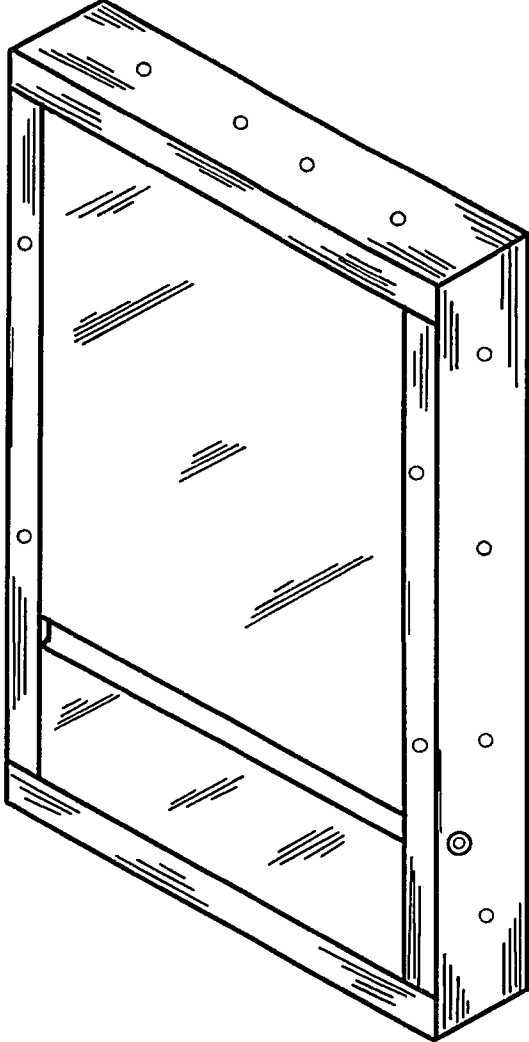


Fig. 2

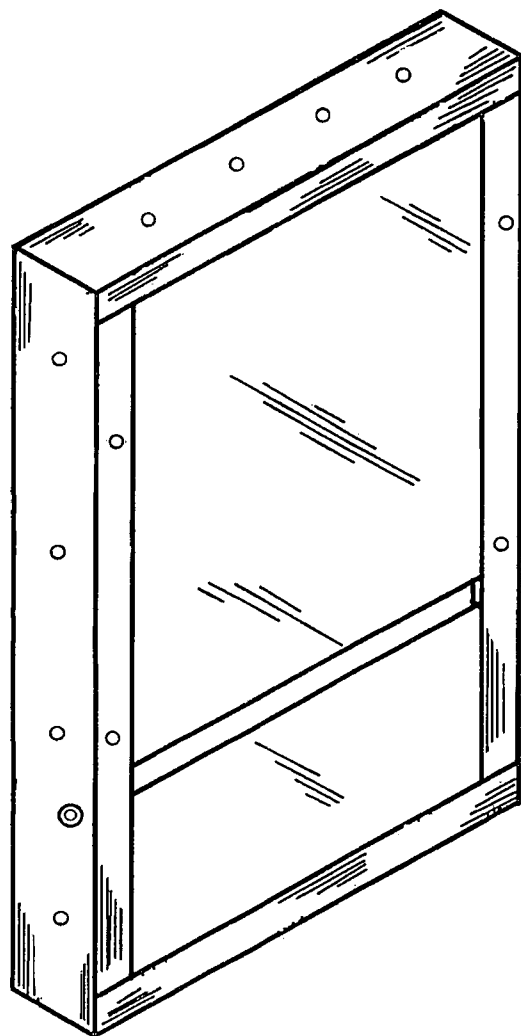


Fig. 3

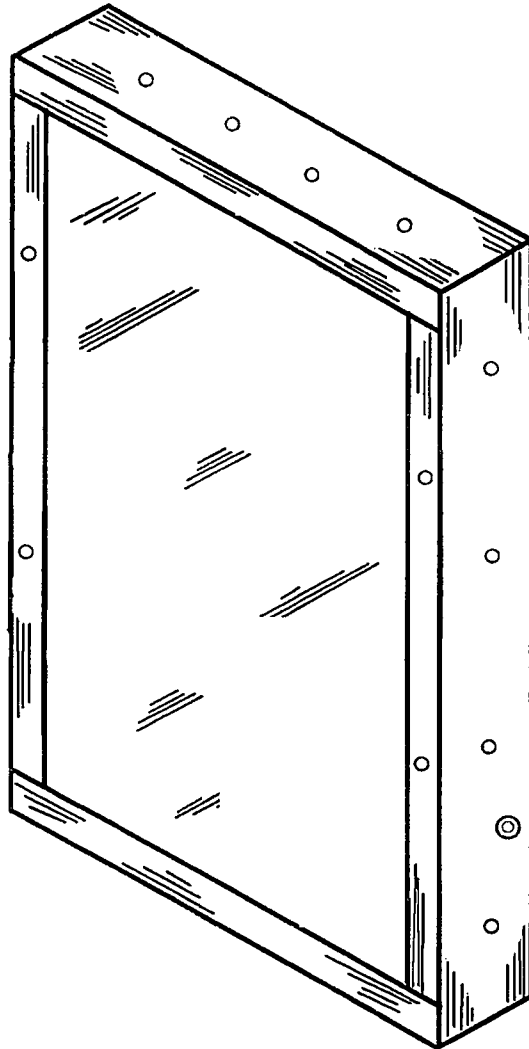


Fig . 4

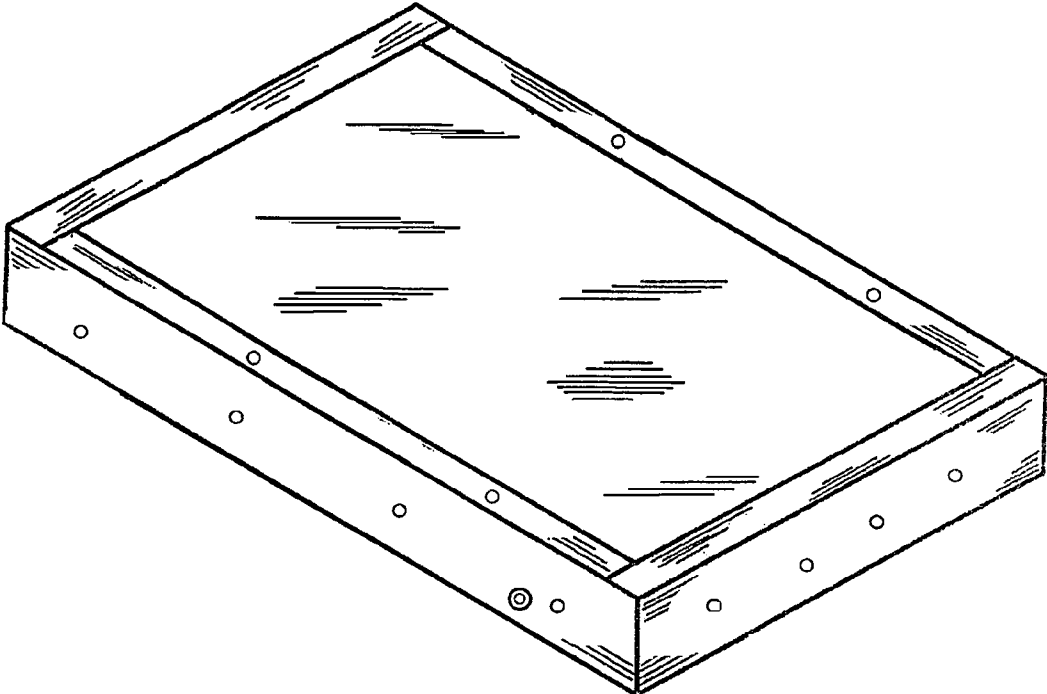


Fig. 5

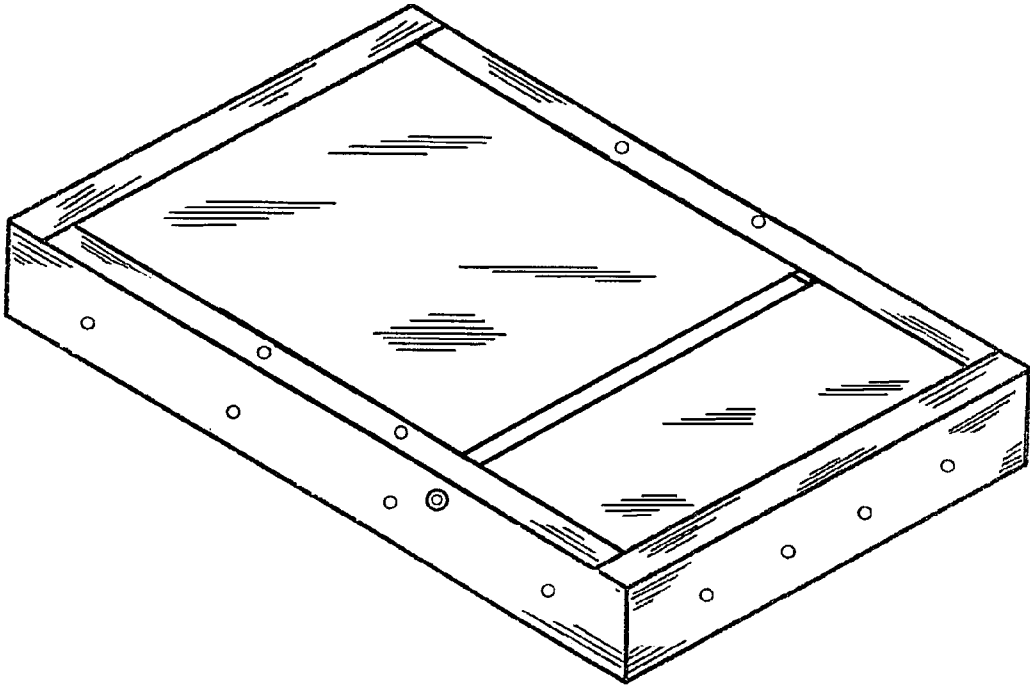


Fig. 6

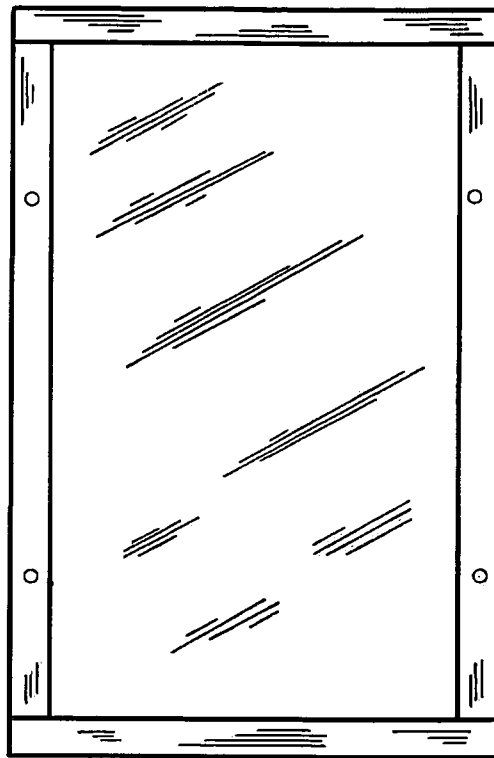


Fig. 7

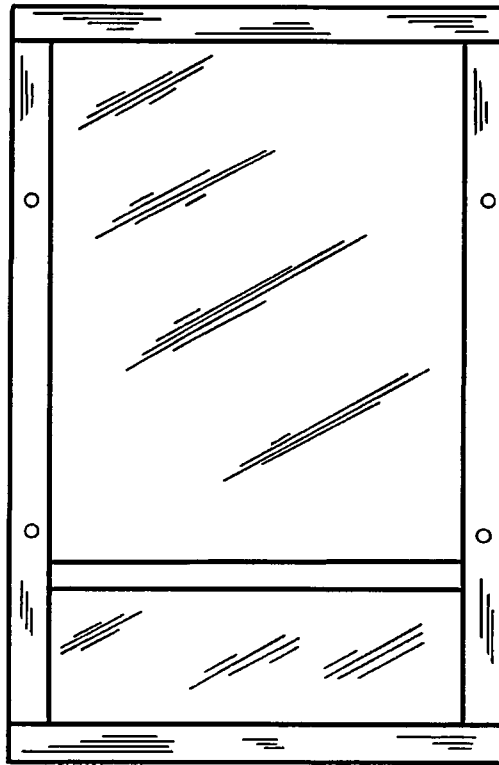


Fig. 8



Fig. 9



Fig. 10

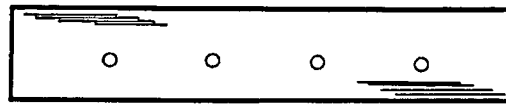


Fig. 11

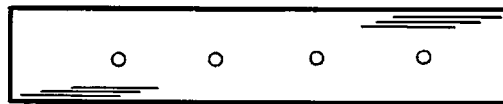


Fig. 12