



US00D867863S

(12) **United States Design Patent**  
**Veilleux et al.**

(10) **Patent No.:** **US D867,863 S**

(45) **Date of Patent:** **\*\* Nov. 26, 2019**

- (54) **SECURE ROD HOOK**
- (71) Applicants: **David Veilleux**, St. George, UT (US);  
**Pierre Patenaude**,  
St-Roch-des-Aulnaies (CA)
- (72) Inventors: **David Veilleux**, St. George, UT (US);  
**Pierre Patenaude**,  
St-Roch-des-Aulnaies (CA)

D717,617 S *	11/2014	Pascuzzo	.....	D8/1
D722,487 S *	2/2015	Miller	.....	D8/356
D739,212 S *	9/2015	Miller	.....	D8/356
D746,126 S *	12/2015	LeBeau	.....	D8/367
D764,258 S *	8/2016	Miller	.....	D8/356
9,439,529 B1 *	9/2016	Libertowski	.....	E06B 7/28
D798,695 S *	10/2017	Davison	.....	D8/367
D843,814 S *	3/2019	Cariano	.....	D8/356
D849,517 S *	5/2019	Crawford	.....	D8/367
D849,518 S *	5/2019	Crawford	.....	D8/367

\* cited by examiner

- (73) Assignee: **152310 Canada**, Brossard (CA)
- (\*\*) Term: **15 Years**

*Primary Examiner* — Cynthia R Underwood  
(74) *Attorney, Agent, or Firm* — James A. Italia; Italia IP

- (21) Appl. No.: **29/659,991**
- (22) Filed: **Aug. 14, 2018**
- (51) **LOC (12) Cl.** ..... **08-05**
- (52) **U.S. Cl.**  
USPC ..... **D8/367**
- (58) **Field of Classification Search**  
USPC ..... D8/367, 356, 354, 349, 18, 105, 368,  
D8/397; D11/208, 218; 248/341;  
224/217  
CPC ..... A45F 5/021; A44B 13/0029; F16B 45/00;  
F16M 13/02; A45C 13/03; A47G 1/17  
See application file for complete search history.

(57) **CLAIM**

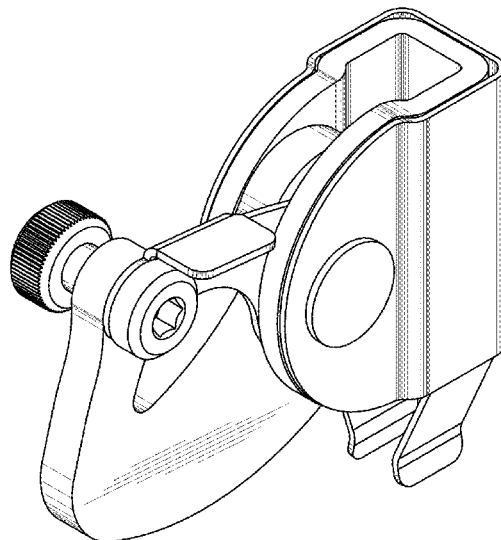
The ornamental design for a secure rod hook, as shown and described.

**DESCRIPTION**

FIG. 1 is a perspective view of a secure rod hook, showing our new design;  
 FIG. 2 is a front elevational view of the invention shown in FIG. 1;  
 FIG. 3 is a rear elevational view of the invention shown in FIG. 1;  
 FIG. 4 is a right-side elevational view of the invention shown in FIG. 1;  
 FIG. 5 is a left-side elevational view of the invention shown in FIG. 1;  
 FIG. 6 is a top plan view of the invention shown in FIG. 1; and,  
 FIG. 7 bottom plan view of the invention shown in FIG. 1.

- (56) **References Cited**  
U.S. PATENT DOCUMENTS
- D297,877 S \* 9/1988 Bergstrom ..... D32/35
- D320,152 S \* 9/1991 Schreib ..... D8/367
- 6,363,589 B1 \* 4/2002 Calloway ..... F16B 45/02  
24/599.1
- D600,100 S \* 9/2009 Moncade ..... D8/367
- D626,908 S \* 11/2010 Marcaccio ..... D12/345

**1 Claim, 4 Drawing Sheets**



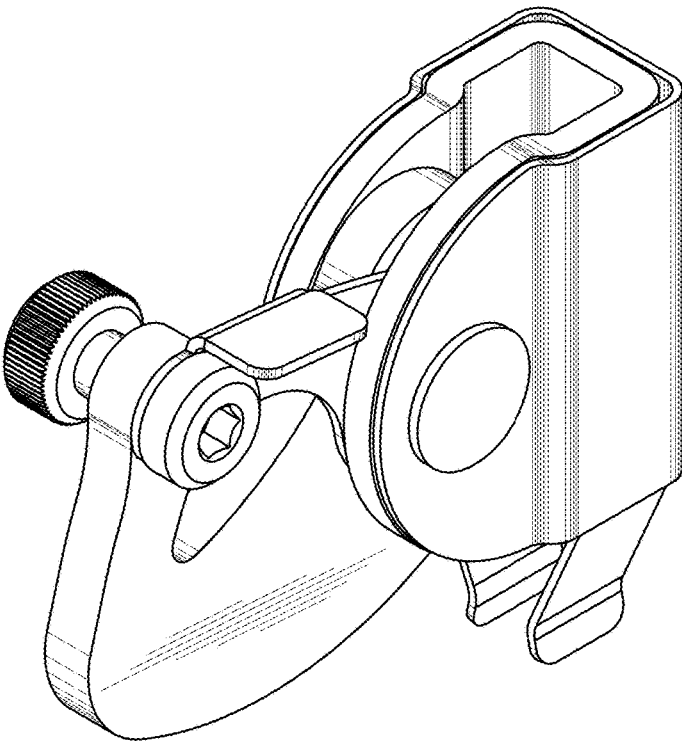


FIG. 1

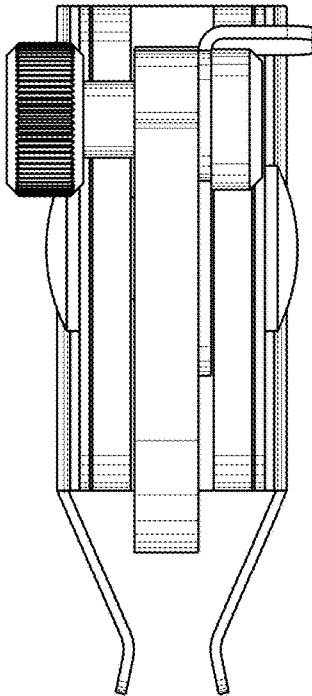


FIG. 2

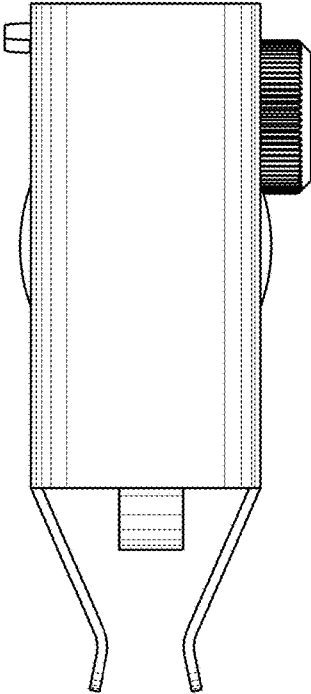


FIG. 3

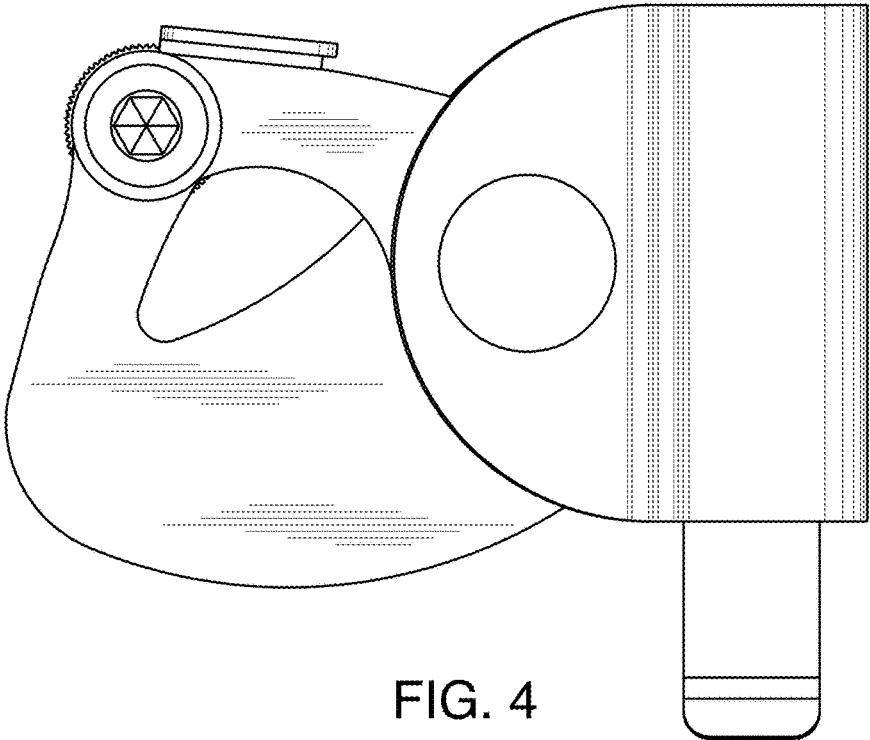


FIG. 4

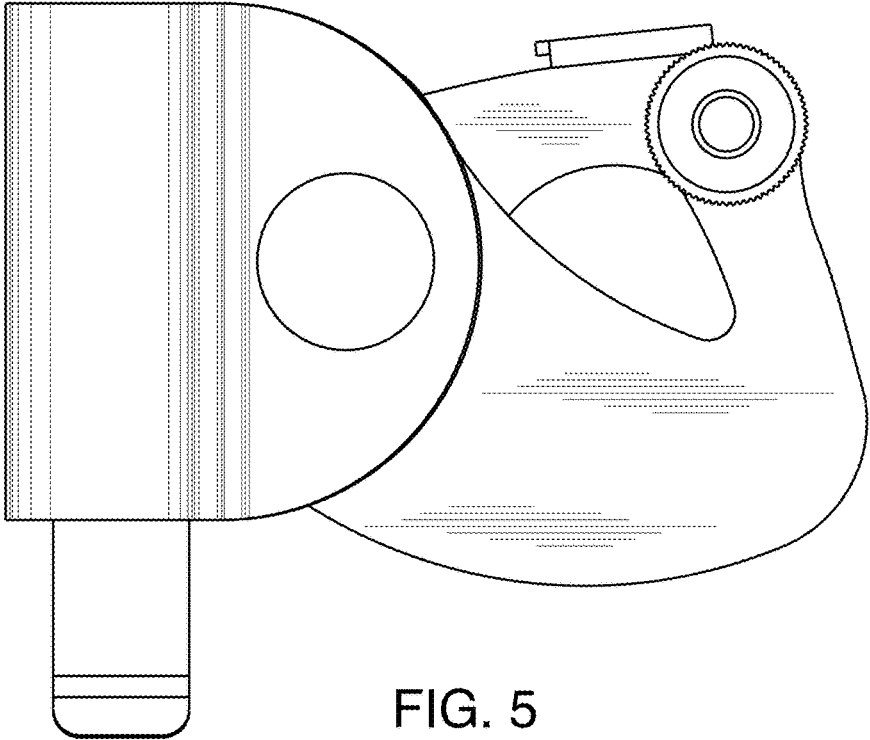


FIG. 5

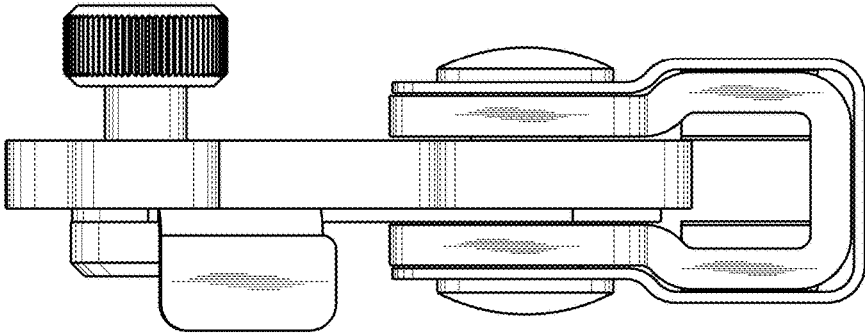


FIG. 6

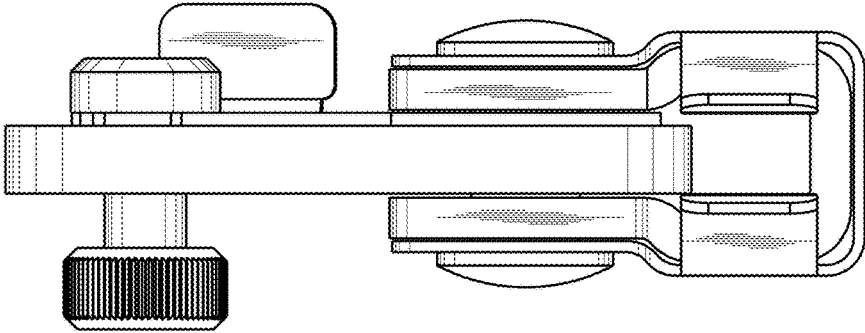


FIG. 7