



(51) International Patent Classification:
H04N 7/12 (2006.01)

(21) International Application Number:
PCT/IB2009/006906

(22) International Filing Date:
22 June 2009 (22.06.2009)

(25) Filing Language: English

(26) Publication Language: English

(30) Priority Data:
12/144,471 23 June 2008 (23.06.2008) US

(71) Applicant (for all designated States except US): RADVISION LTD. [IL/IL]; 24 Raoul Wallenberg Street, 69719 Tel Aviv (IL).

(72) Inventors; and

(75) Inventors/Applicants (for US only): WIENER, Yair [IL/IL]; 4 Tel-hai Street, 46310 Herzliya (IL). MODAI, Ori [IL/IL]; 9/2 Rashbam Street, 47207 Ramat-Hasharon (IL).

(74) Agent: SAIDIAN-COHEN, Yael; Dr. Shlomo Cohen & Co., Century Tower, 124 Ibn Gvirol, 62038 Tel Aviv (IL).

(81) Designated States (unless otherwise indicated, for every kind of national protection available): AE, AG, AL, AM, AO, AT, AU, AZ, BA, BB, BG, BH, BR, BW, BY, BZ,

CA, CH, CL, CN, CO, CR, CU, CZ, DE, DK, DM, DO, DZ, EC, EE, EG, ES, FI, GB, GD, GE, GH, GM, GT, HN, HR, HU, ID, IL, IN, IS, JP, KE, KG, KM, KN, KP, KR, KZ, LA, LC, LK, LR, LS, LT, LU, LY, MA, MD, ME, MG, MK, MN, MW, MX, MY, MZ, NA, NG, NI, NO, NZ, OM, PE, PG, PH, PL, PT, RO, RS, RU, SC, SD, SE, SG, SK, SL, SM, ST, SV, SY, TJ, TM, TN, TR, TT, TZ, UA, UG, US, UZ, VC, VN, ZA, ZM, ZW.

(84) Designated States (unless otherwise indicated, for every kind of regional protection available): ARIPO (BW, GH, GM, KE, LS, MW, MZ, NA, SD, SL, SZ, TZ, UG, ZM, ZW), Eurasian (AM, AZ, BY, KG, KZ, MD, RU, TJ, TM), European (AT, BE, BG, CH, CY, CZ, DE, DK, EE, ES, FI, FR, GB, GR, HR, HU, IE, IS, IT, LT, LU, LV, MC, MK, MT, NL, NO, PL, PT, RO, SE, SI, SK, TR), OAPI (BF, BJ, CF, CG, CI, CM, GA, GN, GQ, GW, ML, MR, NE, SN, TD, TG).

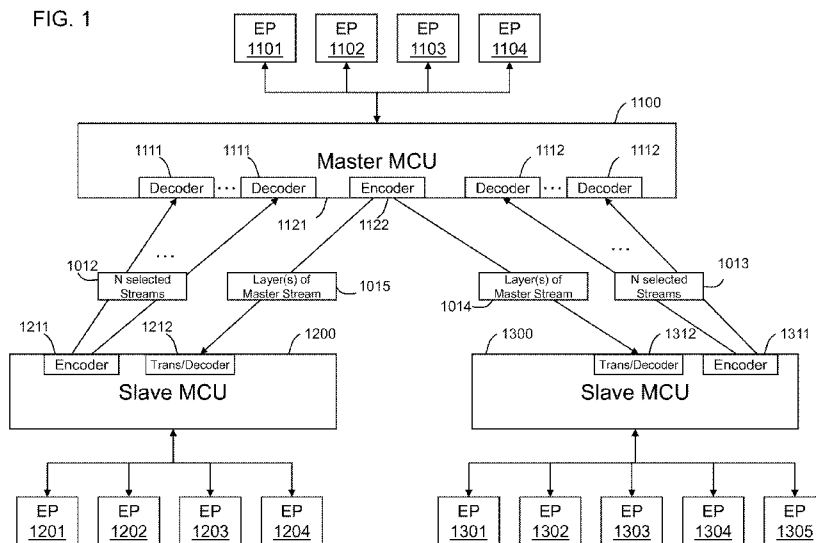
Published:

- with international search report (Art. 21(3))
- before the expiration of the time limit for amending the claims and to be republished in the event of receipt of amendments (Rule 48.2(h))

(88) Date of publication of the international search report:
22 April 2010

(54) Title: SYSTEMS, METHODS, AND MEDIA FOR PROVIDING CASCADED MULTI-POINT VIDEO CONFERENCING UNITS

FIG. 1



(57) Abstract: Systems, methods, and media for providing cascaded multi-point video conferencing units are provided. In some embodiments, systems for providing cascaded multi-point conference units are provided, the systems comprising: at least one encoder that encodes a video signal into representations using a scalable video protocol based on required configurations of parameters for a first multi-point conferencing unit (MCU) and a second MCU; and at least one interface that distributes a first one of the representations to the first MCU and a second one of the representations to the second MCU without distributing the first one of the representations to the second MCU.

WO 2009/156867 A3

INTERNATIONAL SEARCH REPORT

International application No.

PCT/IB 09/06906

A. CLASSIFICATION OF SUBJECT MATTER

IPC(8) - H04N 7/12 (2010.01)

USPC - 375/240.02

According to International Patent Classification (IPC) or to both national classification and IPC

B. FIELDS SEARCHED

Minimum documentation searched (classification system followed by classification symbols)

IPC(8): H04N 7/12 (2010.01)

USPC: 375/240.02

Documentation searched other than minimum documentation to the extent that such documents are included in the fields searched

USPC: 375/130, 240.01, 240.02, E7.126; 709/204, 208, 227, 230; 715/700, 753, 756

Electronic data base consulted during the international search (name of data base and, where practicable, search terms used)

Electronic databases: USPTO WEST (PGPB, USPT, EPAB, JPAB); Google Scholar

Search Terms Used: video conference or conferencing, cascaded or multi-point or multipoint conferencing, interface or control unit or conferencing, scalable or standard protocol, master or slave, encoder or decoder or transcoder, configuration or parameters etc.

C. DOCUMENTS CONSIDERED TO BE RELEVANT

Category*	Citation of document, with indication, where appropriate, of the relevant passages	Relevant to claim No.
Y	US 2006/0047750 A1 (Schmitt et al.) 02 March 2006 (02.03.2006) (abstract, and para [0012]-[0024], [0033]-[0052], [0056]-[0075])	1-27
Y	US 2007/0200923 A1 (Eleftheriadis et al.) 30 August 2007 (30.08.2007) (abstract, and para [0016]-[0021], [0031]-[0061], [0099]-[0134])	1-27
A	US 2007/0064901 A1 (Baird et al.) 22 March 2007 (22.03.2007)	1-27
A	US 2005/0008240 A1 (Banerji et al.) 13 January 2005 (13.01.2005)	1-27
A	US 6,122,259 A (Ishida) 19 September 2000 (19.09.2000)	1-27

 Further documents are listed in the continuation of Box C.

* Special categories of cited documents:

"A" document defining the general state of the art which is not considered to be of particular relevance

"E" earlier application or patent but published on or after the international filing date

"L" document which may throw doubts on priority claim(s) or which is cited to establish the publication date of another citation or other special reason (as specified)

"O" document referring to an oral disclosure, use, exhibition or other means

"P" document published prior to the international filing date but later than the priority date claimed

"T" later document published after the international filing date or priority date and not in conflict with the application but cited to understand the principle or theory underlying the invention

"X" document of particular relevance; the claimed invention cannot be considered novel or cannot be considered to involve an inventive step when the document is taken alone

"Y" document of particular relevance; the claimed invention cannot be considered to involve an inventive step when the document is combined with one or more other such documents, such combination being obvious to a person skilled in the art

"&" document member of the same patent family

Date of the actual completion of the international search

01 February 2010 (01.02.2010)

Date of mailing of the international search report

25 FEB 2010

Name and mailing address of the ISA/US

Mail Stop PCT, Attn: ISA/US, Commissioner for Patents
P.O. Box 1450, Alexandria, Virginia 22313-1450

Facsimile No. 571-273-3201

Authorized officer:

Lee W. Young

PCT Helpdesk: 571-272-4300
PCT OSP: 571-272-7774