

(19) World Intellectual Property Organization
International Bureau



(43) International Publication Date
25 August 2005 (25.08.2005)

PCT

(10) International Publication Number
WO 2005/076902 A3

(51) International Patent Classification:
A23L 1/06 (2006.01)

(21) International Application Number:
PCT/US2005/003467

(22) International Filing Date: 7 February 2005 (07.02.2005)

(25) Filing Language: English

(26) Publication Language: English

(30) Priority Data:
60/541,948 6 February 2004 (06.02.2004) US

(71) Applicant (for all designated States except US): **McCORMICK & COMPANY, INC.** [US/US]; 18 Loveton Circle, P.O. Box 6000, Sparks, MD 21152-6000 (US).

(72) Inventors; and

(75) Inventors/Applicants (for US only): **JONES, Constance, A.** [US/US]; 2028 Brandy Drive, Forest Hill, MD 21050 (US). **EMBUSCADO, Milda, E.** [US/US]; 10002 Hillgreen Circle, Apt. G, Cockeysville, MD 21050 (US). **FARACE, James, P.** [US/US]; 5575 Wool Mill Road, Glenville, PA 17329 (US). **GASIOROWSKI, Dana, D.** [US/US]; 2902 White Avenue, Baltimore, MD 21214 (US). **STANKIEWICZ, Jill, B.** [US/US]; 2809 Boston Street, Apt. 329, Baltimore, MD 21224 (US).

(74) Agent: **KELLY, Richard, D.**; Oblon, Spivak, McClelland, Maier & Neustadt, P.C., 1940 Duke Street, Alexandria, VA 22314 (US).

(81) Designated States (unless otherwise indicated, for every kind of national protection available): AE, AG, AL, AM, AT, AU, AZ, BA, BB, BG, BR, BW, BY, BZ, CA, CH, CN, CO, CR, CU, CZ, DE, DK, DM, DZ, EC, EE, EG, ES, FI, GB, GD, GE, GH, GM, HR, HU, ID, IL, IN, IS, JP, KE, KG, KP, KR, KZ, LC, LK, LR, LS, LT, LU, LV, MA, MD, MG, MK, MN, MW, MX, MZ, NA, NI, NO, NZ, OM, PG, PH, PL, PT, RO, RU, SC, SD, SE, SG, SK, SL, SM, SY, TJ, TM, TN, TR, TT, TZ, UA, UG, US, UZ, VC, VN, YU, ZA, ZM, ZW.

(84) Designated States (unless otherwise indicated, for every kind of regional protection available): ARIPO (BW, GH, GM, KE, LS, MW, MZ, NA, SD, SL, SZ, TZ, UG, ZM, ZW), Eurasian (AM, AZ, BY, KG, KZ, MD, RU, TJ, TM), European (AT, BE, BG, CH, CY, CZ, DE, DK, EE, ES, FI, FR, GB, GR, HU, IE, IS, IT, LT, LU, MC, NL, PL, PT, RO, SE, SI, SK, TR), OAPI (BF, BJ, CF, CG, CI, CM, GA, GN, GQ, GW, ML, MR, NE, SN, TD, TG).

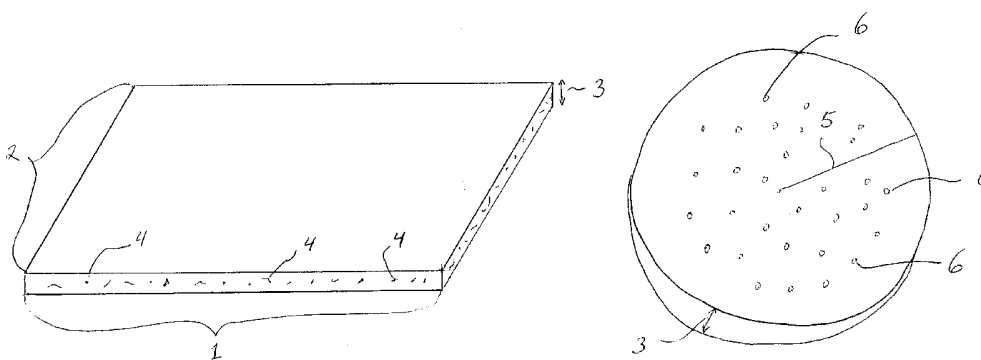
Published:

— with international search report

(88) Date of publication of the international search report:
21 December 2006

For two-letter codes and other abbreviations, refer to the "Guidance Notes on Codes and Abbreviations" appearing at the beginning of each regular issue of the PCT Gazette.

(54) Title: FLAVORING MATRIX COMPOSITIONS, METHODS FOR PREPARING THE SAME, METHODS FOR USING THE SAME, AND FOOD PREPARED FROM THE SAME




(57) Abstract: Flavoring matrix composition comprising a flavoring or seasoning (4) and an edible meltable matrix, wherein seasoning is distribute within the matrix and wherein composition exists in a form of a sheet. The sheet has length (1), a width (2), and a thickness (3). Matrix also exists in a form of circular sheet with radius (5). The sheet is perforated with a plurality of holes (6). Flavoring matrix i particularly effective for adding a seasoning to a food.

WO 2005/076902 A3

INTERNATIONAL SEARCH REPORT

International application No.

PCT/US05/03467

<p>A. CLASSIFICATION OF SUBJECT MATTER IPC: A23L 1/06(2006.01)</p> <p>USPC: 426/143 According to International Patent Classification (IPC) or to both national classification and IPC</p>												
<p>B. FIELDS SEARCHED</p> <p>Minimum documentation searched (classification system followed by classification symbols) U.S. : 426/143</p> <p>Documentation searched other than minimum documentation to the extent that such documents are included in the fields searched</p> <p>Electronic data base consulted during the international search (name of data base and, where practicable, search terms used) Please See Continuation Sheet</p>												
<p>C. DOCUMENTS CONSIDERED TO BE RELEVANT</p> <table border="1"> <thead> <tr> <th>Category *</th> <th>Citation of document, with indication, where appropriate, of the relevant passages</th> <th>Relevant to claim No.</th> </tr> </thead> <tbody> <tr> <td>X</td> <td>US 5894,028 (Alden et al.) 13 April 1999 (13.04.1999), Abstract, Col.5 lines 14-18, 30-34, Col.3, lines 20-21, Col.3, lines 20-21</td> <td>1-3,5,7-17</td> </tr> <tr> <td>X</td> <td>US 5,063,073 (Kratochvil) 5 November 1991 (05.11.1991), Abstract, Col.8 lines16-17, Col. 17, lines 65-66, Col.17 lines 56-61</td> <td>4,6</td> </tr> </tbody> </table>			Category *	Citation of document, with indication, where appropriate, of the relevant passages	Relevant to claim No.	X	US 5894,028 (Alden et al.) 13 April 1999 (13.04.1999), Abstract, Col.5 lines 14-18, 30-34, Col.3, lines 20-21, Col.3, lines 20-21	1-3,5,7-17	X	US 5,063,073 (Kratochvil) 5 November 1991 (05.11.1991), Abstract, Col.8 lines16-17, Col. 17, lines 65-66, Col.17 lines 56-61	4,6	
Category *	Citation of document, with indication, where appropriate, of the relevant passages	Relevant to claim No.										
X	US 5894,028 (Alden et al.) 13 April 1999 (13.04.1999), Abstract, Col.5 lines 14-18, 30-34, Col.3, lines 20-21, Col.3, lines 20-21	1-3,5,7-17										
X	US 5,063,073 (Kratochvil) 5 November 1991 (05.11.1991), Abstract, Col.8 lines16-17, Col. 17, lines 65-66, Col.17 lines 56-61	4,6										
<p><input type="checkbox"/> Further documents are listed in the continuation of Box C. <input type="checkbox"/> See patent family annex.</p>												
<p>* Special categories of cited documents:</p> <table border="0"> <tr> <td>"A" document defining the general state of the art which is not considered to be of particular relevance</td> <td>"T" later document published after the international filing date or priority date and not in conflict with the application but cited to understand the principle or theory underlying the invention</td> </tr> <tr> <td>"B" earlier application or patent published on or after the international filing date</td> <td>"X" document of particular relevance; the claimed invention cannot be considered novel or cannot be considered to involve an inventive step when the document is taken alone</td> </tr> <tr> <td>"L" document which may throw doubts on priority claim(s) or which is cited to establish the publication date of another citation or other special reason (as specified)</td> <td>"Y" document of particular relevance; the claimed invention cannot be considered to involve an inventive step when the document is combined with one or more other such documents, such combination being obvious to a person skilled in the art</td> </tr> <tr> <td>"O" document referring to an oral disclosure, use, exhibition or other means</td> <td>"&" document member of the same patent family</td> </tr> <tr> <td>"P" document published prior to the international filing date but later than the priority date claimed</td> <td></td> </tr> </table>			"A" document defining the general state of the art which is not considered to be of particular relevance	"T" later document published after the international filing date or priority date and not in conflict with the application but cited to understand the principle or theory underlying the invention	"B" earlier application or patent published on or after the international filing date	"X" document of particular relevance; the claimed invention cannot be considered novel or cannot be considered to involve an inventive step when the document is taken alone	"L" document which may throw doubts on priority claim(s) or which is cited to establish the publication date of another citation or other special reason (as specified)	"Y" document of particular relevance; the claimed invention cannot be considered to involve an inventive step when the document is combined with one or more other such documents, such combination being obvious to a person skilled in the art	"O" document referring to an oral disclosure, use, exhibition or other means	"&" document member of the same patent family	"P" document published prior to the international filing date but later than the priority date claimed	
"A" document defining the general state of the art which is not considered to be of particular relevance	"T" later document published after the international filing date or priority date and not in conflict with the application but cited to understand the principle or theory underlying the invention											
"B" earlier application or patent published on or after the international filing date	"X" document of particular relevance; the claimed invention cannot be considered novel or cannot be considered to involve an inventive step when the document is taken alone											
"L" document which may throw doubts on priority claim(s) or which is cited to establish the publication date of another citation or other special reason (as specified)	"Y" document of particular relevance; the claimed invention cannot be considered to involve an inventive step when the document is combined with one or more other such documents, such combination being obvious to a person skilled in the art											
"O" document referring to an oral disclosure, use, exhibition or other means	"&" document member of the same patent family											
"P" document published prior to the international filing date but later than the priority date claimed												
<p>Date of the actual completion of the international search 30 August 2006 (30.08.2006)</p>		<p>Date of mailing of the international search report 20 SEP 2006</p>										
<p>Name and mailing address of the ISA/US Mail Stop PCT, Attn: ISA/US Commissioner for Patents P.O. Box 1450 Alexandria, Virginia 22313-1450 Facsimile No. (571) 273-3201</p>		<p>Authorized officer Milton Cano Telephone No. (571) 273-8300</p> 										

INTERNATIONAL SEARCH REPORT

International application No.

PCT/US05/03467

Continuation of B. FIELDS SEARCHED Item 3:

EAST

search terms: matrix, carrier, sheet, gel, flavouring, favoring, seasoning, starch, gum, pectin, celluloses, hydrocolloid, carageenan, dextrin, agar