



(12) **United States Design Patent**
Inouye et al.

(10) **Patent No.:** **US D778,769 S**
(45) **Date of Patent:** **** Feb. 14, 2017**

(54) **SEGMENT OF WEARABLE DEVICE
HAVING FLEXIBLE DISPLAY PANEL**

FOREIGN PATENT DOCUMENTS

(71) Applicant: **POLYERA CORPORATION**, Skokie, IL (US)

EP 1599110 A1 11/2005
KR 3020130009576 2/2013
(Continued)

(72) Inventors: **Matthew D. Inouye**, Foster City, CA (US); **Hjalmar Edzer Aycó Huitema**, Belmont, CA (US)

OTHER PUBLICATIONS

“3M Flexible Transparent Touchscreen Concepts” video located on the Internet at <http://www.youtube.com/watch?v=kCZz4jFok_o> (uploaded Jan. 6, 2011).

(73) Assignee: **Flexterra, Inc.**, Skokie, IL (US)

(Continued)

(**) Term: **15 Years**

Primary Examiner — Zenia Bennett
(74) *Attorney, Agent, or Firm* — Karen K. Chan

(21) Appl. No.: **29/531,298**

(57) **CLAIM**

(22) Filed: **Jun. 24, 2015**

The ornamental design for a segment of wearable device having flexible display panel, as shown and described.

(51) **LOC (10) Cl.** **11-01**

DESCRIPTION

(52) **U.S. Cl.**

USPC **D11/93**

(58) **Field of Classification Search**

USPC D11/1–25, 32, 93, 94; 59/78, 79.2; 63/1.11, 63/3, 3.1, 3.2, 5.1, 5.2, 7–11; 224/175; D10/30–32

CPC A44C 5/02–5/246

See application file for complete search history.

FIG. 1 is a top perspective view of a segment of wearable device having flexible display panel of the present invention, arranged in a flat orientation;
FIG. 2 is a front plan view of the invention illustrated in FIG. 1, arranged in the flat orientation, a rear plan view being a mirror image thereof;
FIG. 3 is a right side view of the invention illustrated in FIG. 1;
FIG. 4 is a left side view of the invention illustrated in FIG. 1;
FIG. 5 is a top plan view of the invention illustrated in FIG. 1;
FIG. 6 is a bottom plan view of the invention illustrated in FIG. 1; and,
FIG. 7 is a perspective view of the invention illustrated in FIG. 1, arranged in a curvilinear orientation.
The portions of the drawings illustrated in broken lines are for illustrative purposes only and form no part of the claimed design.

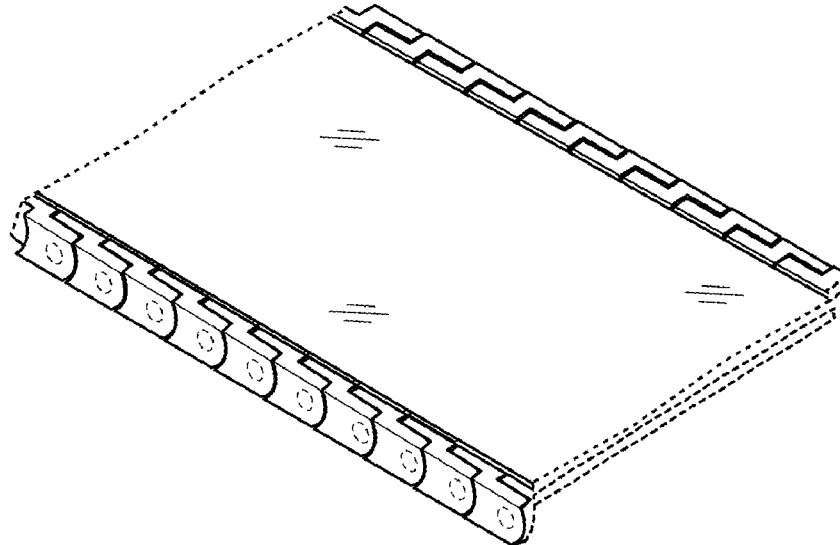
(56) **References Cited**

U.S. PATENT DOCUMENTS

2,792,684 A * 5/1957 Dinstman G04B 39/004
368/294
2,954,622 A * 10/1960 Moore A44C 5/0015
40/662
3,672,157 A * 6/1972 Manceri G04B 45/0069
368/282
4,034,552 A * 7/1977 Davidson G04B 37/1486
368/280

(Continued)

1 Claim, 2 Drawing Sheets



(56)

References Cited

U.S. PATENT DOCUMENTS

4,390,288	A *	6/1983	Arnoux	G04B 37/0058 368/276
4,928,411	A *	5/1990	Danis	A47G 23/06 40/324
D334,351	S *	3/1993	Bichi	D11/13
D334,723	S *	4/1993	Bichi	D11/13
D334,724	S *	4/1993	Bichi	D11/13
D461,113	S *	8/2002	Aubert Capella	D8/353
6,919,678	B2 *	7/2005	Ozolins	G02F 1/1333 220/2.1 R
7,209,114	B2	4/2007	Radley-Smith	
D590,018	S *	4/2009	Nash	D19/113
7,793,361	B2 *	9/2010	Ishihara	A41D 1/002 2/170
8,482,909	B2	7/2013	Douglas	
8,764,283	B2 *	7/2014	Altenhoven	G04B 39/02 368/294
2006/0020469	A1	1/2006	Rast	
2008/0291225	A1	11/2008	Arneson	
2009/0251888	A1	10/2009	Douglas	
2012/0314546	A1	12/2012	Brewer et al.	
2013/0044215	A1	2/2013	Rothkopf et al.	
2013/0172068	A1	7/2013	Zhou et al.	
2013/0222270	A1	8/2013	Winkler et al.	
2013/0335929	A1	12/2013	Cavallaro	
2015/0089974	A1	4/2015	Seo et al.	

FOREIGN PATENT DOCUMENTS

KR	3020130009574	6/2013
KR	20150035232 A	4/2015

OTHER PUBLICATIONS

"E-Clock", Tokyoflash Japn Product Design Studio, downloaded from the Internet at <<http://blog.tokyoflash.com/2010/03/e-clock/>> (Mar. 10, 2010).

"Flexible Smart Phone Fluid Presented by Philips", YouTube, downloaded from the Internet at <http://www.youtube.com/watch?v=Wq9montNgbM&feature=player_detailpage> (Apr. 2, 2012).

"Infinite Possibilities: the next generation in fashion and technology", Looksee Labs, Oakland, California, 7 page brochure (published before Jun. 24, 2015).

"Moment Smartwatch: World's First Wrap Around Smart Watch," Momentum Labs LLC, 28 pp. (Jun. 24, 2014).

"Rohm shows a flexible-OLED wristband", OLED-Info.com, downloaded from the Internet at <<http://www.oled-info.com/rohm-shows-flexible-oled-wristband>> (Oct. 5, 2009).

"Samsung Smart Watch Trademarks Filed, Wearable Internet Nearing Debut", Fox News Latino, downloaded from the Internet at <<http://latino.foxnews.com/latino/money/2013/08/07/samsung-smart-watch-trademarks-filed-wearable-internet-nearing-debut/>> (Aug. 7, 2013).

"Wearable Concept Phone is Not Nokia 888", Concept Phones, downloaded from the Internet at <<http://www.concept-phones.com/tag/hyun-sung-lee/>> (Jul. 18, 2008).

Color photograph of three bracelet designs, downloaded from the Internet at: <<http://www.lookseelabs.com/news>>, (published before Jun. 24, 2015).

Fingas, "Tentative Samsung smartwatch design unearthed in Korean patents", engadget, downloaded from the Internet at <<http://www.engadget.com/2013/08/03/tentative-samsung-smartwatch-designs-unearthed-in-korean-patents/>> (Aug. 3, 2013).

Johan, "Asus Waveface Ultra", techfresh.net, downloaded from the Internet at <<http://www.techfresh.net/asus-waveface-ultra/>> (Jan. 19, 2010).

Kahn, "Is Apple's iWatch a slap wrist band with a flexible display?*", 9to5Mac Apple Intelligence, downloaded from the Internet at <<http://9to5mac.com/2013/02/21/is-apples-iwatch-a-slap-wrist-band-with-a-flexible-display/>> (Feb. 21, 2013).

Kaki, "10 Beautiful Nokia Concept Phones for Future Generations", DreamsRain website, downloaded from the Internet at <<http://www.dreamsrain.com/2011/09/18/10-beautiful-nokia-concept-phones-for-future-generations/>> (Sep. 18, 2011).

Kelvin, "Apple iBand Envisioned by T3: Health Features, Fitness and Watch Functions (Video)", Concept Phones, downloaded from the Internet at <<http://www.concept-phones.com/apple/apple-iband-envisioned-t3-health-features-fitness-watch-functions-video/>> (Feb. 18, 2014).

Kelvin, "iWatch Render Goes the Way of the Nike FuelBand", Concept Phones, downloaded from the Internet at <<http://www.concept-phones.com/apple/iwatch-render-nike-fuelband/>> (Jan. 21, 2014).

Kelvin, "MWC 2014: Kyocera Showcases Flexible Phone That Turns Into Bracelet", Concept Phones, downloaded from the Internet at <<http://www.concept-phones.com/kyocera/mwc-2014-kyocera-showcases-flexible-phone-turns-bracelet/>> (Feb. 27, 2014).

Kelvin, "New Apple iWatch Render Shows us an Ultrathin Bracelet", Concept Phones, downloaded from the Internet at <<http://www.concept-phones.com/apple/apple-iwatch-render-shows-ultrathin-bracelet/>> (Oct. 16, 2013).

Kelvin, "Nokia Lumia 101 Smartwatch is a Nice Little, Elegant Bracelet", Concept Phones, downloaded from the Internet at <<http://www.concept-phones.com/nokia/nokia-lumia-101-smartwatch-nice-elegant-bracelet/>> (Dec. 3, 2013).

One color and two black-and-white photographs of a bracelet design, Looksee Labs, downloaded from the Internet at: <<http://www.lookseelabs.com/gallery>> (published before Jun. 24, 2015).

Rastogi, "Nokia Lumia 1080: The Concept Phone", 91 mobiles, downloaded from the Internet at <<http://www.91mobiles.com/blog/nokia-lumia-1080-the-concept-phone.html>> (Jun. 27, 2013).

Ridden, "Emopulse Smile SmartWatch goes up for pre-order", Gizmag, downloaded from the Internet at <<http://www.gizmag.com/emopulse-smile-smartwatch/27984/>> (Jun. 19, 2013).

Seth, "Love This iWatch!", Yanko Design Form Beyond Function, downloaded from the Internet at <<http://www.yankodesign.com/2013/07/26/love-this-iwatch/>> (Jul. 26, 2013).

Smith, "Samsung smartwatch concept shown in patent hints at flexible display use", Android Authority (Aug. 3, 2013).

Thrystan, "iWatch Design Created by James Ivaldi is All Metal", Concept Phones, downloaded from the Internet at <<http://www.concept-phones.com/apple/iwatch-design-created-james-ivaldi-metal/>> (Jul. 29, 2013).

Thrystan, "LG Auki Bracelet Phone Is Colorful and Elegant", Concept Phones, downloaded from the Internet at <<http://www.concept-phones.com/lg/lg-auki-bracelet-phone-colorful-elegant/>> (Aug. 26, 2011).

Thrystan, "LG Helix Cellphone is Also a Slap Bracelet", Concept Phones, downloaded from the Internet at <<http://www.concept-phones.com/lg/lg-helix-cellphone-slap-bracelet/>> (Oct. 9, 2009).

Thrystan, "Speak to Me Concept Watch Phone is Hot, a Must-Have Fashion Accessory", Concept Phones, downloaded from the Internet at <<http://www.concept-phones.com/fashion-phones/speak-concept-watch-phone-hot-must-have-fashion-accessory/>> (Jan. 27, 2009).

Thrystan, "The Hook Bracelet Phone Concept Runs Windows Phone in a New Format", Concept Phones, downloaded from the Internet at <<http://www.concept-phones.com/cool-concepts/hook-bracelet-phone-concept-runs-windows-phone-format/>> (Jun. 21, 2013).

* cited by examiner

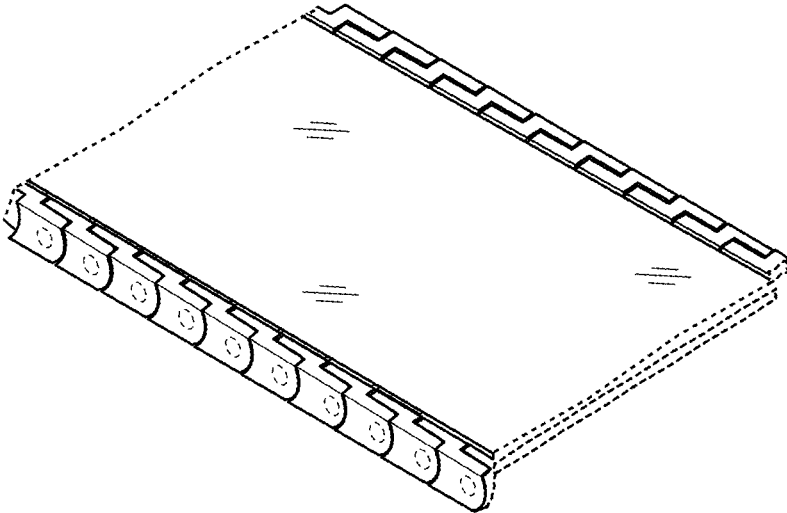


FIG. 1

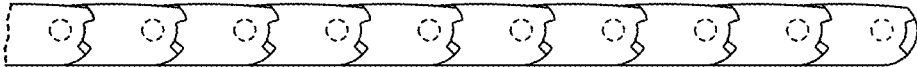


FIG. 2

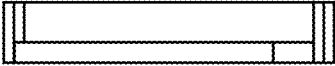


FIG. 3

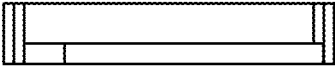


FIG. 4

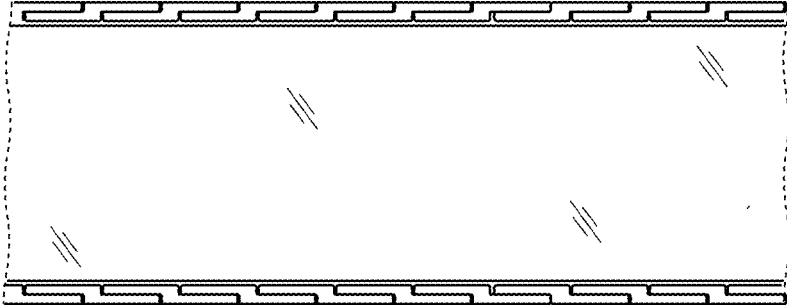


FIG. 5

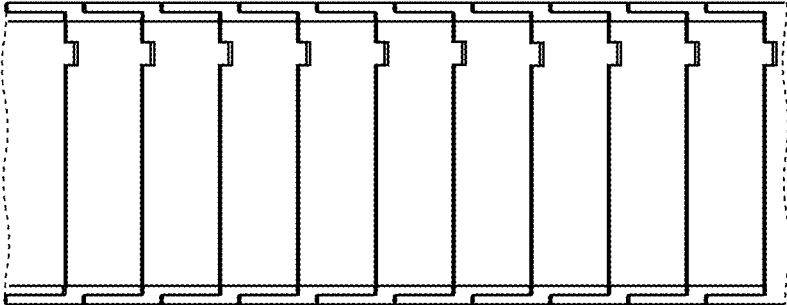


FIG. 6

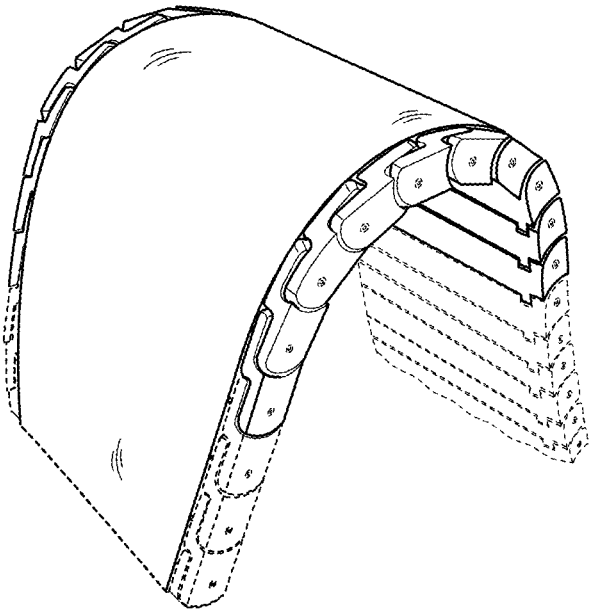


FIG. 7