

(19) World Intellectual Property Organization  
International Bureau



(43) International Publication Date  
3 March 2005 (03.03.2005)

PCT

(10) International Publication Number  
WO 2005/019584 A3

(51) International Patent Classification:

A47H 5/00 (2006.01)

(21) International Application Number:

PCT/US2004/027197

(22) International Filing Date: 20 August 2004 (20.08.2004)

(25) Filing Language: English

(26) Publication Language: English

(30) Priority Data:

60/497,020 20 August 2003 (20.08.2003) US

(71) Applicant (for all designated States except US): HUNTER DOUGLAS INC. [US/US]; 2 Park Way, Upper Saddle, NJ 07458 (US).

(72) Inventors; and

(75) Inventors/Applicants (for US only): COLSON, Wendell, B. [US/US]; 14 Byron Road, Weston, MA 02493 (US). HARPER, Marjorie, G. [US/US]; 10717 West Ottawa Avenue, Littleton, CO 80127 (US). FOGARTY, Daniel, M. [US/US]; 66 Belvidere Avenue, Framingham, MA 01702 (US). HARTMAN, David, P. [US/US];

40 Lanewood Avenue, Framingham, MA 01701 (US). JELIC, Ralph, G. [US/US]; 1602 Pika Road, Boulder, CO 80302 (US). KOPECKY, Kristi, K. [US/US]; 11575 Marshall Court, Westminster, CO 80020 (US).

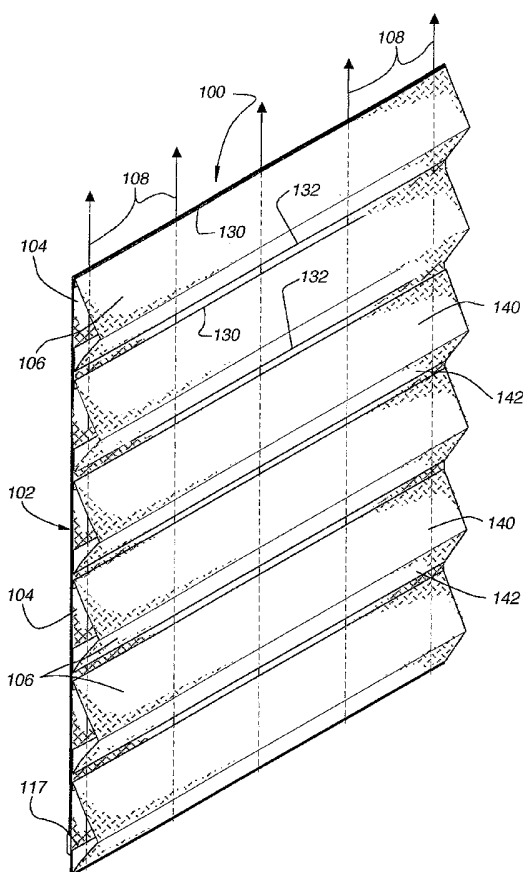
(74) Agents: OSMAN, Lee, R. et al.; Dorsey & Whitney LLP, 370 Seventeenth Street, Suite 4700, Denver, CO 80202-5647 (US).

(81) Designated States (unless otherwise indicated, for every kind of national protection available): AE, AG, AL, AM, AT, AU, AZ, BA, BB, BG, BR, BW, BY, BZ, CA, CH, CN, CO, CR, CU, CZ, DE, DK, DM, DZ, EC, EE, EG, ES, FI, GB, GD, GE, GH, GM, HR, HU, ID, IL, IN, IS, JP, KE, KG, KP, KR, KZ, LC, LK, LR, LS, LT, LU, LV, MA, MD, MG, MK, MN, MW, MX, MZ, NA, NI, NO, NZ, OM, PG, PH, PL, PT, RO, RU, SC, SD, SE, SG, SK, SL, SY, TJ, TM, TN, TR, TT, TZ, UA, UG, US, UZ, VC, VN, YU, ZA, ZM, ZW.

(84) Designated States (unless otherwise indicated, for every kind of regional protection available): ARIPO (BW, GH, GM, KE, LS, MW, MZ, NA, SD, SL, SZ, TZ, UG, ZM,

[Continued on next page]

(54) Title: RETRACTABLE SHADE WITH COLLAPSIBLE VANES



(57) Abstract: A retractable cover for architectural openings having collapsible vanes includes a support structure in the form of a sheet of material, monofilaments, tapes, ribbons, cords, or the like, supporting an upper edge of a plurality of vertically spaced, horizontally extending vanes with the lower edges of the vanes in most embodiments of the invention being connected to operating elements adapted to raise the lower edges of each vane toward the upper edges to define openings or gaps between the vanes through which vision and light can pass in an open condition of the covering. Variations of the covering do not require movement of a lower edge of a vane relative to an upper edge but simply movement of some vanes relative to other vanes. The vanes can be made of materials having different flexibilities and where more rigid materials are used, creased fold lines can be established for desired operability.

WO 2005/019584 A3



ZW), Eurasian (AM, AZ, BY, KG, KZ, MD, RU, TJ, TM), European (AT, BE, BG, CH, CY, CZ, DE, DK, EE, ES, FI, FR, GB, GR, HU, IE, IT, LU, MC, NL, PL, PT, RO, SE, SI, SK, TR), OAPI (BF, BJ, CF, CG, CI, CM, GA, GN, GQ, GW, ML, MR, NE, SN, TD, TG).

**(88) Date of publication of the international search report:**  
5 October 2006

*For two-letter codes and other abbreviations, refer to the "Guidance Notes on Codes and Abbreviations" appearing at the beginning of each regular issue of the PCT Gazette.*

**Published:**

- *with international search report*
- *before the expiration of the time limit for amending the claims and to be republished in the event of receipt of amendments*

# INTERNATIONAL SEARCH REPORT

International application No.

PCT/US04/27197

**A. CLASSIFICATION OF SUBJECT MATTER**  
 IPC(8) : A47H 5/00  
 US CL : 160/84.05  
 According to International Patent Classification (IPC) or to both national classification and IPC

**B. FIELDS SEARCHED**  
 Minimum documentation searched (classification system followed by classification symbols)  
 U.S. : 160/84.05, 84.01,121.1,84.04,84.08,115,176.1R,178.3R

Documentation searched other than minimum documentation to the extent that such documents are included in the fields searched

Electronic data base consulted during the international search (name of data base and, where practicable, search terms used)

**C. DOCUMENTS CONSIDERED TO BE RELEVANT**

Category *	Citation of document, with indication, where appropriate, of the relevant passages	Relevant to claim No.
Y	US 1,958,695 A (CLAUS) 15 May 1934 (15.05.1934), see entire document	8
X	US 2,267,869 A (LOEHR) 30 December 1941 (30.12.1941), see entire document	9
---		---
Y		8
A	US 5,787,951 A (TONOMURA) 04 August 1998 (04.08.1998), see entire document	1-44
A	US 5,918,655 A (COREY) 06 July 1999 (06.07.0999), see entire document	1-44
X	US 6,006,812 A (COREY) 28 December 1999 (28.12.1999), see entire document	1-7

Further documents are listed in the continuation of Box C.       See patent family annex.

* Special categories of cited documents:	"T" later document published after the international filing date or priority date and not in conflict with the application but cited to understand the principle or theory underlying the invention
"A" document defining the general state of the art which is not considered to be of particular relevance	"X" document of particular relevance; the claimed invention cannot be considered novel or cannot be considered to involve an inventive step when the document is taken alone
"E" earlier application or patent published on or after the international filing date	"Y" document of particular relevance; the claimed invention cannot be considered to involve an inventive step when the document is combined with one or more other such documents, such combination being obvious to a person skilled in the art
"L" document which may throw doubts on priority claim(s) or which is cited to establish the publication date of another citation or other special reason (as specified)	"&" document member of the same patent family
"O" document referring to an oral disclosure, use, exhibition or other means	
"P" document published prior to the international filing date but later than the priority date claimed	

Date of the actual completion of the international search: 06 February 2006 (06.02.2006)  
 Date of mailing of the international search report: 26 JUL 2006

Name and mailing address of the ISA/US  
 Mail Stop PCT, Attn: ISA/US  
 Commissioner for Patents  
 P.O. Box 1450  
 Alexandria, Virginia 22313-1450  
 Facsimile No. (571) 273-3201

Authorized officer  
 BLAIR M. JOHNSON  
 Telephone No. (571) 272-3600