



US00D776293S

(12) **United States Design Patent**
Cerasi

(10) **Patent No.:** **US D776,293 S**

(45) **Date of Patent:** **** Jan. 10, 2017**

(54) **STERILIZING AND DISINFECTING APPARATUS**

D404,827 S * 1/1999 Thoburn D24/217
D433,147 S * 10/2000 Florkey D24/217
6,797,233 B1 * 9/2004 De Heus A61L 2/07
422/113

(71) Applicant: **Enrico Cerasi**, Zola Predosa (IT)

D546,473 S * 7/2007 Xu D24/217

(72) Inventor: **Enrico Cerasi**, Zola Predosa (IT)

D632,800 S * 2/2011 Nanni D24/217

(73) Assignee: **MOCOM SRL**, Imola (BO) (IT)

2006/0251540 A1 * 11/2006 Benning A61L 2/24
422/3

(**) Term: **14 Years**

2007/0274856 A1 * 11/2007 Kwon A61L 2/24
422/1

(21) Appl. No.: **29/508,686**

* cited by examiner

(22) Filed: **Jan. 30, 2015**

Primary Examiner — Anhdao Doan

Related U.S. Application Data

(74) *Attorney, Agent, or Firm* — Cooper & Dunham LLP

(63) Continuation of application No. 29/451,503, filed on Apr. 3, 2013, now abandoned.

(57) **CLAIM**

(30) **Foreign Application Priority Data**

I claim the ornamental design for sterilizing and disinfecting apparatus, as shown and described.

Mar. 6, 2013 (IT) 002197590-002

(51) **LOC (10) Cl.** **24-01**

(52) **U.S. Cl.** **D24/217**

USPC **D24/217**

(58) **Field of Classification Search**

USPC D24/216, 217, 218, 227–232; D32/1, 25

CPC A61L 2/26; A61L 2/24; A61L 2/17;

A61L 2/18; A61L 2/025; A61L 2202/122;

A61L 2202/10; A61L 2202/11; A61L

2202/14; A61L 2202/23; A61L 2202/24;

A61L 2202/182

See application file for complete search history.

DESCRIPTION

FIG. 1 is a right side perspective view of the sterilizing and disinfecting apparatus of the claimed design.

FIG. 2 is a front elevational view of the claimed design.

FIG. 3 is a right side elevational view of the claimed design.

FIG. 4 is a left side elevational view of the claimed design.

FIG. 5 is a top view of the claimed design.

FIG. 6 is a rear elevational view of the claimed design; and,

FIG. 7 is a bottom view of the claimed design.

The broken lines shown in the drawings illustrate portions of the sterilizing and disinfecting apparatus that form no part of the claimed design.

(56) **References Cited**

U.S. PATENT DOCUMENTS

D330,771 S * 11/1992 Chaney D24/217

5,223,229 A * 6/1993 Brucker A61L 2/07
292/36

1 Claim, 7 Drawing Sheets

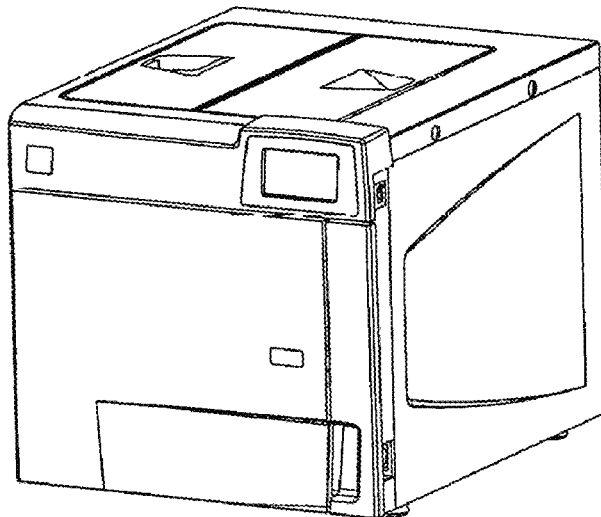


FIG. 1

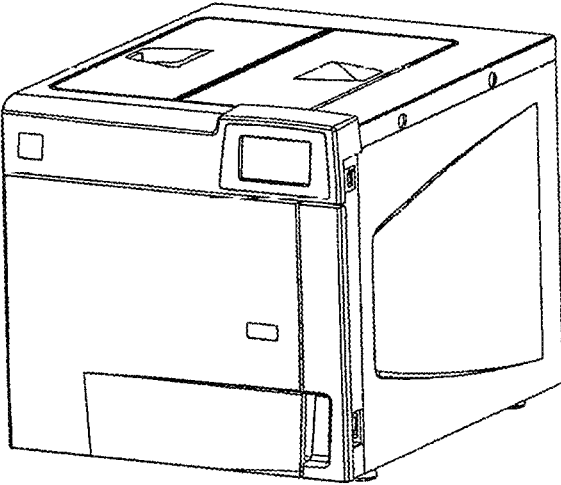


FIG. 2

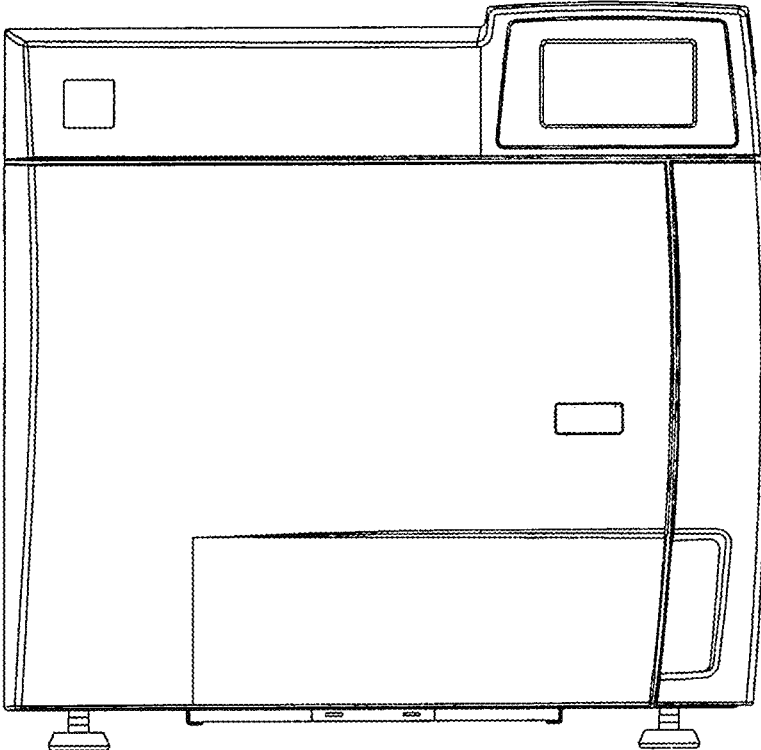


FIG. 3

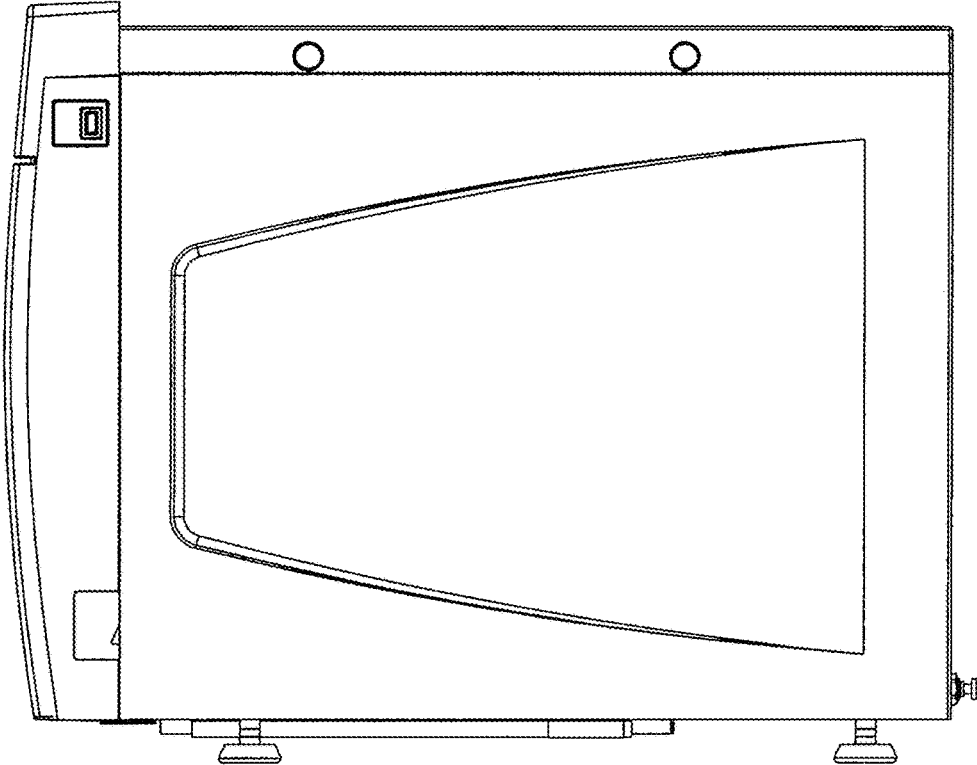


FIG. 4

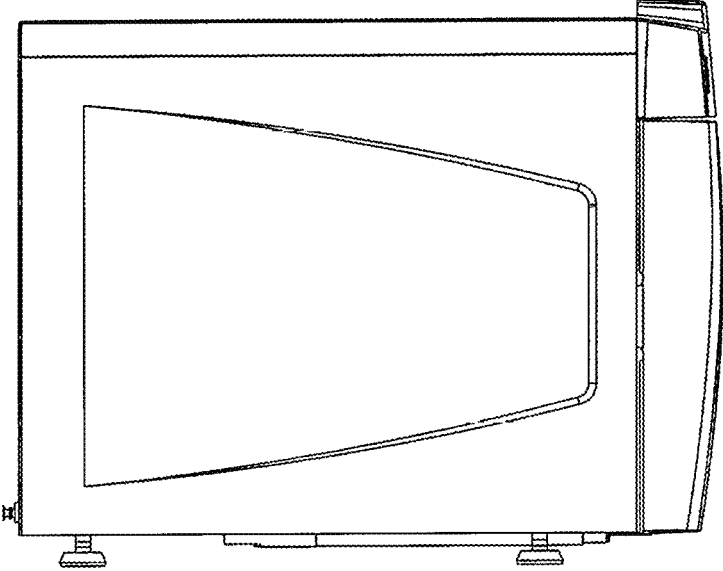


Fig. 5

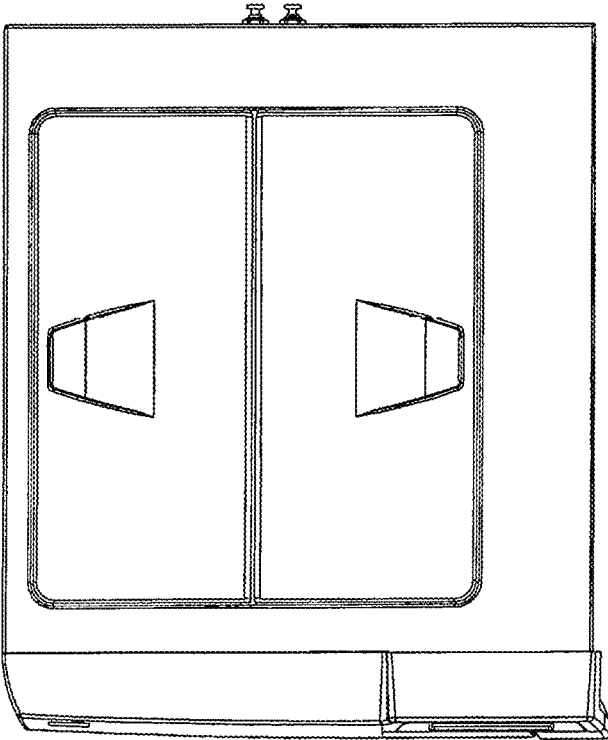


Fig. 6

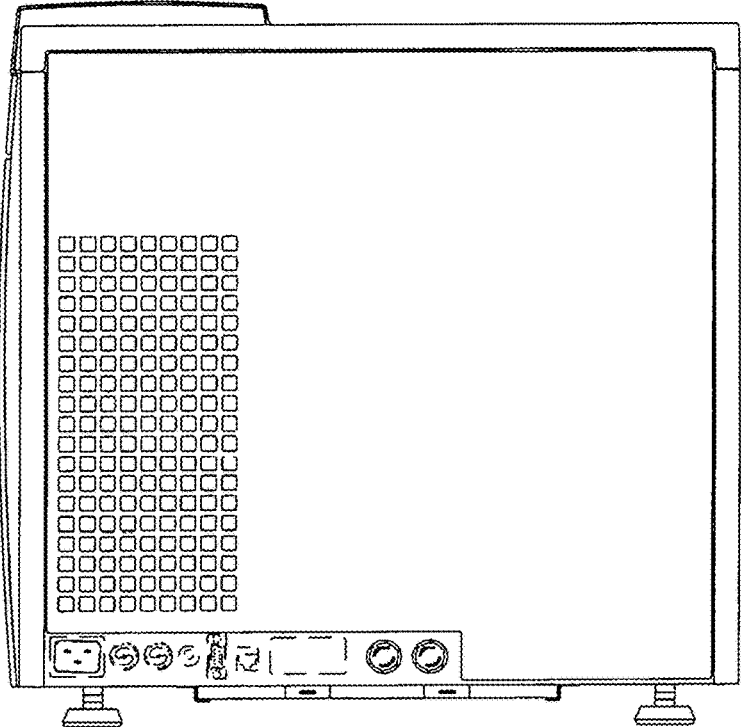


FIG. 7

