



US00D755694S

(12) **United States Design Patent**
Valencia Pollex

(10) **Patent No.:** **US D755,694 S**

(45) **Date of Patent:** **** May 10, 2016**

(54) **VEHICLE WHEEL RIM**

(71) Applicant: **AUDI AG**, Ingolstadt (DE)

(72) Inventor: **Andreas Valencia Pollex**, Ingolstadt (DE)

(73) Assignee: **AUDI AG**, Ingolstadt (DE)

(**) Term: **14 Years**

(21) Appl. No.: **29/526,586**

(22) Filed: **May 11, 2015**

(30) **Foreign Application Priority Data**

Nov. 10, 2014 (EM) 002 575 316-0007

(51) **LOC (10) Cl.** **12-16**

(52) **U.S. Cl.**
USPC **D12/209**

(58) **Field of Classification Search**
USPC D12/204–213
CPC B60B 7/00; B60B 7/02; B60B 7/04;
B60B 7/01; B60B 7/06; B60B 3/02; B60B
3/04; B60B 3/06; B60B 3/10; B60B 1/00;
B60B 1/08; B60B 1/10; B60B 1/12
See application file for complete search history.

(56) **References Cited**

U.S. PATENT DOCUMENTS

D409,546 S * 5/1999 Stark D12/209
D428,377 S * 7/2000 Kubosaki D12/209

D499,058 S	*	11/2004	Iwauchi	D12/209
D504,096 S	*	4/2005	Nakagawa	D12/209
D589,863 S	*	4/2009	Huet	D12/209
D595,201 S	*	6/2009	Antoniadis	D12/211
D619,524 S	*	7/2010	Gabath	D12/209
D626,905 S	*	11/2010	Camacho	D12/209
D631,812 S	*	2/2011	Juergens	D12/209
D648,255 S	*	11/2011	Scheinhutte	D12/209
D654,842 S	*	2/2012	Blasi	D12/209
D663,248 S	*	7/2012	Kogawa	D12/209
D664,489 S	*	7/2012	Slorance	D12/209
D671,478 S	*	11/2012	Baum	D12/209
D671,877 S	*	12/2012	Roura	D12/209
D673,097 S	*	12/2012	Lemke	D12/209
D682,176 S	*	5/2013	Badstuebner	D12/209
D684,516 S	*	6/2013	Bennion	D12/209
D685,710 S	*	7/2013	Hanaoka	D12/204
D695,191 S	*	12/2013	Kogawa	D12/209
D705,714 S	*	5/2014	Hanaoka	D12/209
D734,235 S	*	7/2015	Juergens	D12/209
D740,197 S	*	10/2015	Valencia Pollex	D12/209

* cited by examiner

Primary Examiner — Stacia Cadmus

(74) *Attorney, Agent, or Firm* — Lucas & Mercanti, LLP;
Klaus P. Stoffel

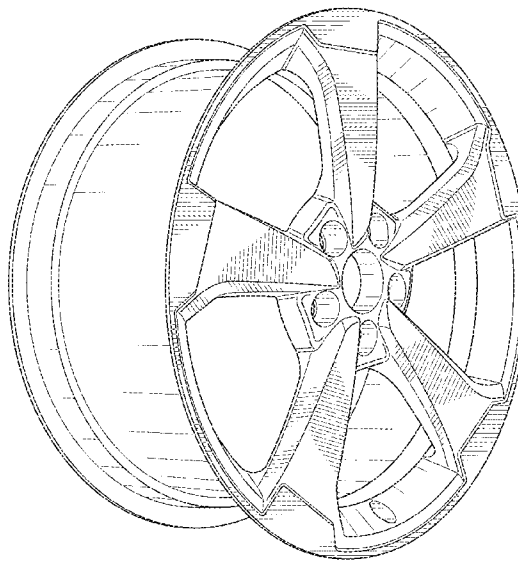
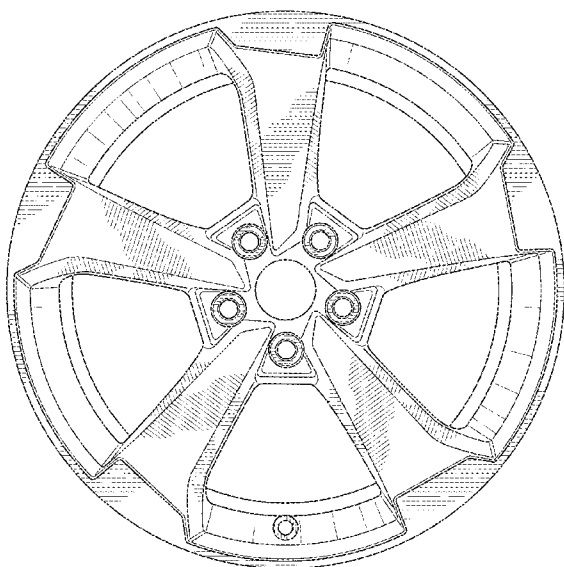
(57) **CLAIM**

The ornamental design for a vehicle wheel rim, as shown and described.

DESCRIPTION

FIG. 1 is a front view of the vehicle wheel rim of the present invention; and,
FIG. 2 is a front, side perspective view thereof.

1 Claim, 2 Drawing Sheets



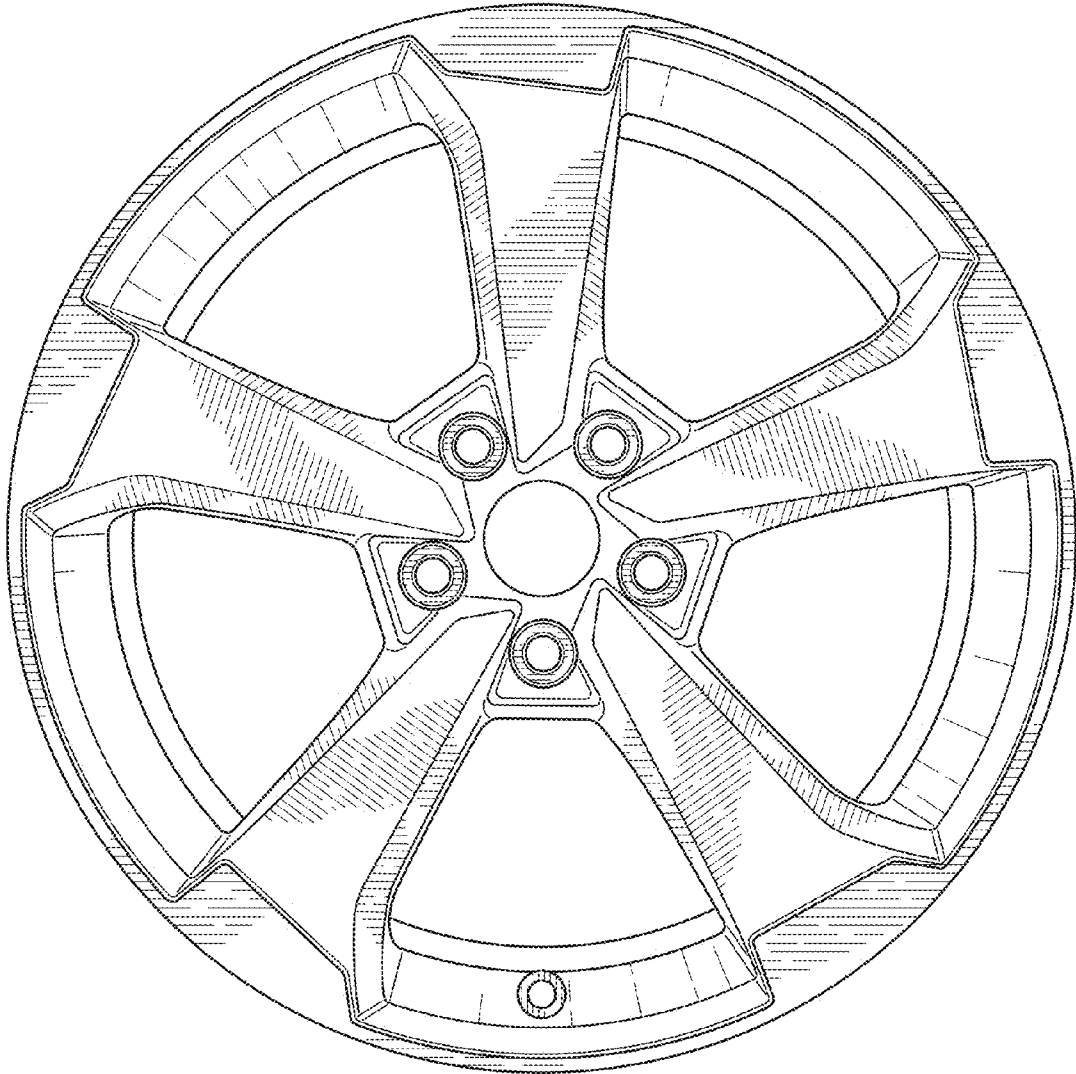


FIG. 1

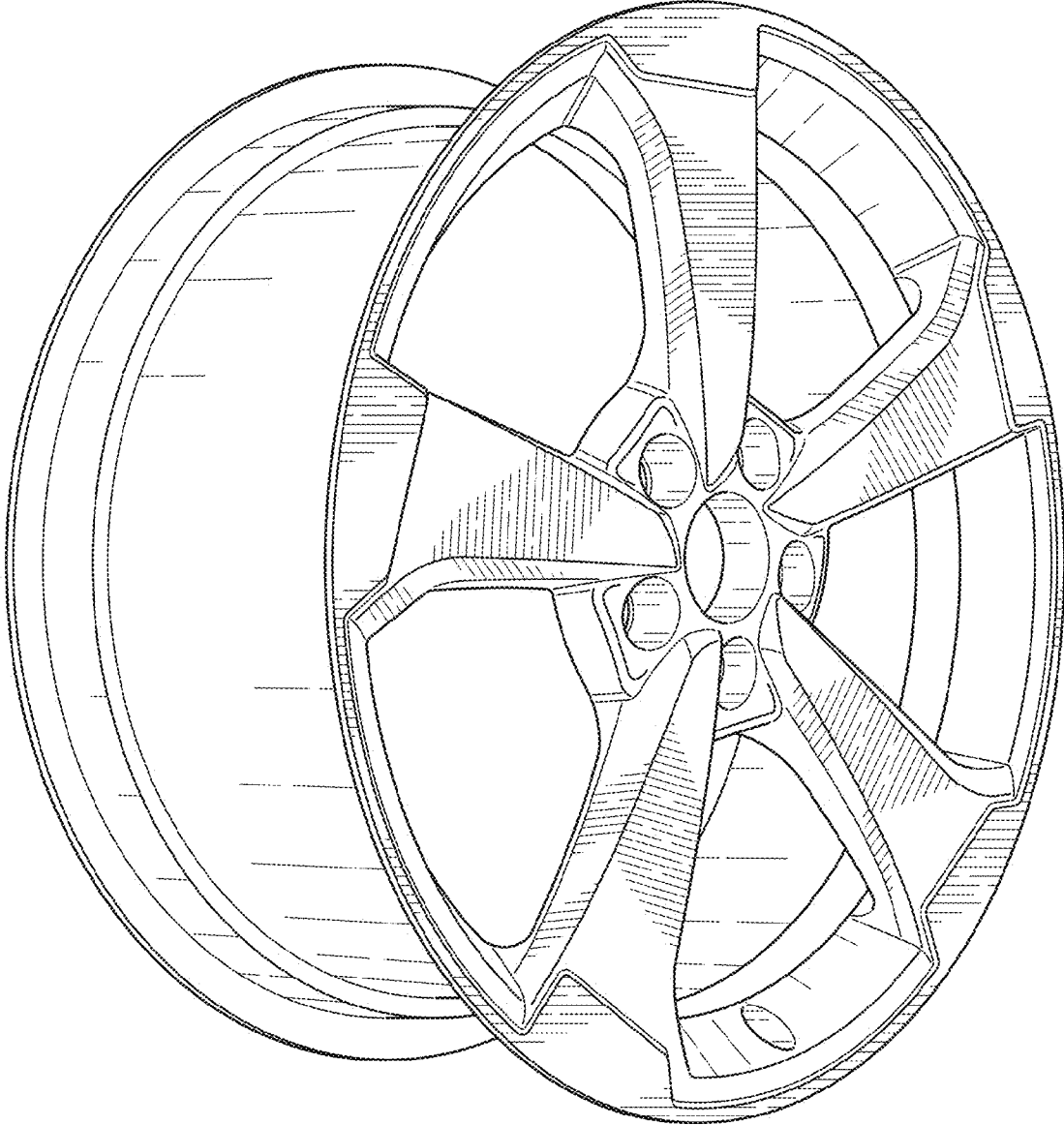


FIG. 2

UNITED STATES PATENT AND TRADEMARK OFFICE
CERTIFICATE OF CORRECTION

PATENT NO. : D755,694 S
APPLICATION NO. : 29/526586
DATED : May 10, 2016
INVENTOR(S) : Andreas Valencia Pollex

Page 1 of 1

It is certified that error appears in the above-identified patent and that said Letters Patent is hereby corrected as shown below:

On the Title Page, item (72) should read
(72) Inventor: Andreas Valencia Pollex, Ingolstadt (DE)

Signed and Sealed this
Fourth Day of October, 2016



Michelle K. Lee
Director of the United States Patent and Trademark Office