

(19) World Intellectual Property Organization
International Bureau



(10) International Publication Number
WO 2009/152138 A2

(43) International Publication Date
17 December 2009 (17.12.2009)

(51) International Patent Classification:
H04L 1/00 (2006.01) *H04L 1/18* (2006.01)

TAR, Rashid Ahmed, Akbar [US/US]; 5775 Morehouse Drive, San Diego, CA 92121-1714 (US).

(21) International Application Number:
PCT/US2009/046720

(74) Agent: **MOSKOWITZ, Larry, J.**; Attn: International IP Administration, 5775 Morehouse Drive, San Diego, CA 92121-1714 (US).

(22) International Filing Date:
9 June 2009 (09.06.2009)

(81) Designated States (unless otherwise indicated, for every kind of national protection available): AE, AG, AL, AM, AO, AT, AU, AZ, BA, BB, BG, BH, BR, BW, BY, BZ, CA, CH, CL, CN, CO, CR, CU, CZ, DE, DK, DM, DO, DZ, EC, EE, EG, ES, FI, GB, GD, GE, GH, GM, GT, HN, HR, HU, ID, IL, IN, IS, JP, KE, KG, KM, KN, KP, KR, KZ, LA, LC, LK, LR, LS, LT, LU, LY, MA, MD, ME, MG, MK, MN, MW, MX, MY, MZ, NA, NG, NI, NO, NZ, OM, PE, PG, PH, PL, PT, RO, RS, RU, SC, SD, SE, SG, SK, SL, SM, ST, SV, SY, TJ, TM, TN, TR, TT, TZ, UA, UG, US, UZ, VC, VN, ZA, ZM, ZW.

(25) Filing Language: English

(26) Publication Language: English

(30) Priority Data:
61/060,119 9 June 2008 (09.06.2008) US
61/060,408 10 June 2008 (10.06.2008) US
61/061,546 13 June 2008 (13.06.2008) US
12/389,211 19 February 2009 (19.02.2009) US
12/424,050 15 April 2009 (15.04.2009) US

(71) Applicant (for all designated States except US): **QUALCOMM INCORPORATED** [US/US]; Attn: International IP Administration, 5775 Morehouse Drive, San Diego, CA 92121-1714 (US).

(84) Designated States (unless otherwise indicated, for every kind of regional protection available): ARIPO (BW, GH, GM, KE, LS, MW, MZ, NA, SD, SL, SZ, TZ, UG, ZM, ZW), Eurasian (AM, AZ, BY, KG, KZ, MD, RU, TJ, TM), European (AT, BE, BG, CH, CY, CZ, DE, DK, EE, ES, FI, FR, GB, GR, HR, HU, IE, IS, IT, LT, LU, LV, MC, MK, MT, NL, NO, PL, PT, RO, SE, SI, SK, TR), OAPI (BF, BJ, CF, CG, CI, CM, GA, GN, GQ, GW, ML, MR, NE, SN, TD, TG).

(72) Inventors; and
(75) Inventors/Applicants (for US only): **JOU, Yu-Cheun** [US/US]; 5775 Morehouse Drive, San Diego, CA 92121-1714 (US). **BLACK, Peter, J.** [AU/US]; 5775 Morehouse Drive, San Diego, CA 92121-1714 (US). **AT-**

[Continued on next page]

(54) Title: INCREASING CAPACITY IN WIRELESS COMMUNICATIONS

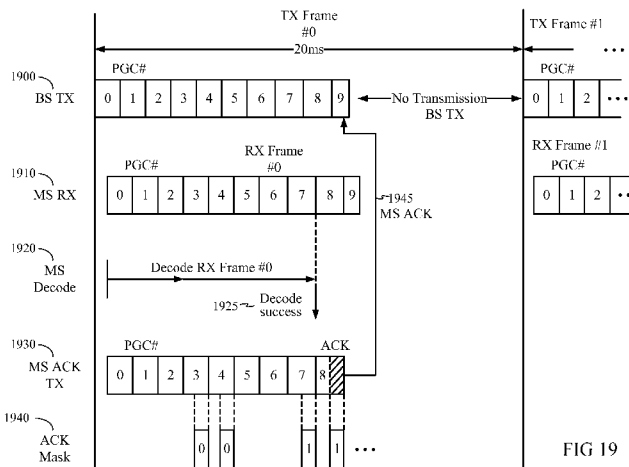


FIG 19

(57) Abstract: Techniques to increase capacity in a wireless communications system. In an aspect, systematic non-transmission, or "blanking," of minimal-rate frames transmitted in a communications system is provided. In an exemplary embodiment, eighth rate frames in a cdma2000 voice communications system are systematically substituted with null-rate frames carrying zero traffic bits. Provisions are nevertheless made for the transmission of certain designated as "critical" by, e.g., a vocoder. The receiver detects the presence of null rate or non-null rate transmissions and processes the received frames accordingly, including updating an outer loop power control only in response to non-null rate frames. Further techniques for changing the pilot transmission gating pattern to assist the receiver in detecting null rate frames are provided. In another aspect, early termination of a signal transmission over a wireless communications link is provided. In an exemplary embodiment, a base station (BS) transmits power control groups (PCG's) for a frame over a forward link (FL) to a mobile station (MS) until accurate reception of the frame is acknowledged by the MS over a reverse link (RL), possibly before all PCG's of the frame are received over the FL. Possible ACK signaling methods are defined for channels associated with a cdma2000 wireless communications system. In another exemplary embodiment, techniques for reverse link early termination are also provided.

WO 2009/152138 A2

Declarations under Rule 4.17:

- *as to applicant's entitlement to apply for and be granted a patent (Rule 4.17(ii))*
- *as to the applicant's entitlement to claim the priority of the earlier application (Rule 4.17(iii))*

Published:

- *without international search report and to be republished upon receipt of that report (Rule 48.2(g))*

INCREASING CAPACITY IN WIRELESS COMMUNICATIONS

RELATED APPLICATIONS

[0001] This application claims priority to U.S. Provisional Application Serial No. 61/060,119, entitled “Apparatus and Methods for Increasing Capacity in Wireless Communications,” filed June 9, 2008, and U.S. Provisional Application Serial No. 61/060,408, entitled “Apparatus and Methods for Increasing Capacity in Wireless Communications,” filed June 10, 2008, and U.S. Provisional Application Serial No. 61/061,546, entitled “Apparatus and Methods for Increasing Capacity in Wireless Communications,” filed June 13, 2008, the contents of which are hereby incorporated by reference in their entirety.

[0002] This application is a continuation-in-part of U.S. Pat. App. Ser. No. 12/389,211, entitled “Frame Termination,” filed February 19, 2009, which claims priority to U.S. Provisional Application No. 61/030,215, filed February 20, 2008, both assigned to the assignee of the present application, the contents of which are hereby incorporated by reference in their entirety.

TECHNICAL FIELD

[0003] The present invention relates generally to digital communications, and more specifically, to techniques for reducing transmission power and improving the capacity of wireless digital communications systems.

BACKGROUND

[0004] Wireless communications systems are widely deployed to provide various types of communication such as voice, packet data, and so on. These systems may be based on code division multiple access (CDMA), time division multiple access (TDMA), frequency division multiple access (FDMA), or other multiple access techniques. For example, such systems can conform to standards such as Third-Generation Partnership Project 2 (3gpp2, or “cdma2000”), Third-Generation Partnership (3gpp, or “W-CDMA”), or Long Term Evolution (“LTE”). In the design of such communications systems, it is desirable to maximize the capacity, or the number of users the system can

reliably support, given the available resources. Several factors impact the capacity of a wireless communications system, some of which are described below.

[0005] For example, in a voice communications system, a vocoder is often employed to encode a voice transmission using one of a plurality of variable encoding rates. The encoding rate may be selected based on, e.g., the amount of speech activity detected during a particular time interval. In a vocoder for a cdma2000 wireless communication system, for example, speech transmissions may be sent using full rate (FR), half rate (HR), quarter rate (QR), or eighth rate (ER) frames, with a full rate frame containing the greatest number of traffic bits, and an eighth rate frame containing the least number of traffic bits. An eighth rate frame is usually sent during periods of silence, and generally corresponds to the lowest-rate transmission that may be achieved by the voice communications system.

[0006] While an eighth rate frame represents a reduced-rate transmission in a cdma2000 system, the eighth rate frame still contains a non-zero number of traffic bits. During certain intervals, e.g., relatively long periods wherein there is no speech activity and background noise remains constant, even the eighth rate frame transmissions may unnecessarily consume a significant level of transmission power in the system. This may raise the level of interference caused to other users, thereby undesirably decreasing system capacity.

[0007] It would be desirable to provide techniques to further decrease the transmission rate of a voice communications system below what minimum-rate frame transmissions such as eighth rate frame transmissions can provide.

[0008] In another aspect of a wireless communications system, transmissions between two units often employ a degree of redundancy to guard against errors in the received signals. For example, in a forward link (FL) transmission from a base station (BS) to a mobile station (MS) in a cdma2000 wireless communications system, redundancies such as fractional-rate symbol encoding and symbol repetition may be employed. In a cdma2000 system, encoded symbols are grouped into sub-segments known as power control groups (PCG's) and transmitted over the air, with a fixed number of PCG's defining a frame.

[0009] While symbol redundancy techniques such as those employed in cdma2000 may allow accurate recovery of transmitted signals in the presence of errors, such techniques

also represent a premium in the overall system transmission power when signal reception conditions are good, which may also undesirably decrease the system capacity.

[0010] It would be further desirable to provide efficient techniques to, for example, terminate transmission of a frame when it is determined that the receiver has accurately recovered the information associated with that frame, thereby saving transmission power and increasing the system capacity. It would be further desirable to provide modified power control schemes to accommodate such techniques.

SUMMARY

[0011] An aspect of the present disclosure provides a method for early termination of sequential frame transmissions over a communications channel, the method comprising: continuously transmitting a first frame to a receiver; receiving an acknowledgment message from the receiver during the transmitting the first frame; and ceasing transmission of the first frame after receiving the acknowledgment message.

[0012] Another aspect of the present disclosure provides a method for early termination of sequential frame transmissions over a communications channel, the method comprising: continuously receiving a first frame from a transmitter; attempting to decode the first frame prior to receiving the entire first frame; determining a successful frame decode based on a result of the attempting; and transmitting an acknowledgement message to the transmitter based on determining the successful frame decode, wherein the acknowledgement message is operable to cease transmission of the first frame.

[0013] Yet another aspect of the present disclosure provides an apparatus for early termination of sequential frame transmissions over a communications channel, the apparatus comprising: a transmitter configured to continuously transmit a first frame to a receiver; a receiver module configured to receive an acknowledgment message from the receiver during the transmitting the first frame; and the transmitter configured to cease transmission of the first frame after receiving the acknowledgment message.

[0014] Yet another aspect of the present disclosure provides an apparatus for early termination of sequential frame transmissions over a communications channel, the apparatus comprising: a receiver configured to continuously receive a first frame from a transmitter; a processor configured to: attempt to decode the first frame prior to

receiving the entire first frame; determine a successful frame decode based on a result of the attempting; and a transmitter module configured to transmit an acknowledgement message to the transmitter based on determining the successful frame decode, wherein the acknowledgement message is operable to cease transmission of the first frame.

[0015] Yet another aspect of the present disclosure provides an apparatus for early termination of frame transmissions over a communications channel, the apparatus comprising: means for receiving from a transmitter a continuously transmitted frame; means for terminating transmissions of the transmitter prior to receiving the entire frame.

[0016] Yet another aspect of the present disclosure provides an apparatus for early termination of frame transmissions over a communications channel, the apparatus comprising: means for continuously transmitting a first frame; means for terminating the continuously transmitting based on a successful decode of the at least one transmitted sub-segment by a receiver.

[0017] Yet another aspect of the present disclosure provides a computer-readable storage medium storing instructions for causing a computer to perform early termination of frame transmissions over a communications channel, the medium storing instructions for causing a computer to: receive from a transmitter a continuously transmitted frame; attempt to decode the frame prior to receiving the entire continuously transmitted frame; determine a successful frame decode based on a result of the attempting; and transmit an acknowledgement message to the transmitter based on determining the successful frame decode, wherein the acknowledgement message is operable to terminate transmission of a remaining portion of the continuously transmitted frame.

[0018] Yet another aspect of the present disclosure provides a computer-readable storage medium storing instructions for causing a computer to perform for early termination of frame transmissions over a communications channel, each frame being allotted a fixed time interval for transmission, the medium storing instructions for causing a computer to: continuously transmit a first frame; receive an acknowledgment message from a receiver during the transmitting the first frame; cease transmission of the first frame after receiving the acknowledgment message; and start to transmit a second frame after the fixed time interval has elapsed for the first frame.

[0019] Yet another aspect of the present disclosure provides a method for early termination of sequential frame transmissions over a communications channel, the method comprising: continuously transmitting a first frame to at least one receiver; receiving at least one acknowledgment message from the at least one receiver during the transmitting the first frame; and ceasing transmission of the first frame after receiving the first of the at least one acknowledgment message.

[0020] Yet another aspect of the present disclosure provides a method for early termination of sequential frame transmissions over a communications channel, the method comprising: continuously receiving a first frame from at least one transmitter; attempting to decode the first frame prior to receiving the entire first frame; determining a successful frame decode based on a result of the attempting; and transmitting an acknowledgement message based on determining the successful frame decode, wherein the acknowledgement message is operable to cease transmission of the first frame by each of the at least one transmitter.

BRIEF DESCRIPTION OF DRAWINGS

[0021] FIG 1 illustrates a prior art wireless communications system.

[0022] FIG 2 illustrates a prior art signal transmission path for voice.

[0023] FIG 3 illustrates an exemplary embodiment of a signal transmission path for voice according to the present disclosure.

[0024] FIG 4 illustrates an exemplary embodiment of an algorithm that may be applied by the systematic blanking module.

[0025] FIGs 5 and 5A illustrate exemplary frame transmission sequences as processed by a vocoder and a systematic blanking module.

[0026] FIG 6 illustrates an exemplary embodiment of a receiving algorithm for processing systematic-blanked signals generated by a voice signal transmission path such as shown in FIG 3.

[0027] FIG 7 illustrates an alternative exemplary embodiment of a signal transmission path for voice according to the present disclosure.

[0028] FIG 8 illustrates an exemplary embodiment of an algorithm that may be applied by the systematic blanking module.

[0029] FIGs 9 and 9A illustrate exemplary frame transmission sequences as processed by a vocoder and a systematic blanking module.

[0030] FIG 10 illustrates an exemplary embodiment of a method for systematic blanking according to the present disclosure.

[0031] FIG 11 illustrates an exemplary embodiment of a pilot gating scheme according to the present disclosure.

[0032] FIG 12 illustrates an exemplary embodiment of a reduced rate power control scheme for controlling the power of forward link (FL) transmissions according to the present disclosure.

[0033] FIG 13 illustrates an exemplary embodiment of a reduced rate power control scheme for controlling the power of reverse link (RL) continuous pilot transmissions according to the present disclosure.

[0034] FIG 14 illustrates an exemplary embodiment of a reduced rate power control scheme for controlling the power of reverse link (RL) gate pilot transmissions according to the present disclosure.

[0035] FIG 15 illustrates a power control method according to the present disclosure.

[0036] FIG 16 illustrates a prior art frame processing scheme for processing information bits at a transmitter in a communications system.

[0037] FIG 17 illustrates timing diagrams associated with a prior art forward link signaling scheme for cdma2000.

[0038] FIG 18 illustrates a prior art method for recovering estimated information bits b' from received symbols y .

[0039] FIG 19 illustrates an exemplary embodiment of a scheme for early termination of forward link transmissions for systems operating according to the cdma2000 standard.

[0040] FIG 20 illustrates an exemplary embodiment of a per-sub-segment decoding scheme according to the present disclosure.

[0041] FIG 21 illustrates an implementation of a prior art forward link symbol path for Radio Configuration 4 (RC4) according to the cdma2000 standard, as well as an exemplary embodiment of a forward link symbol path according to the present disclosure.

[0042] FIG 22 illustrates an exemplary embodiment of a signaling scheme used to signal the ACK message on the reverse link for early termination modulator.

[0043] FIG 23 illustrates an exemplary embodiment of a scheme for early termination of reverse link transmissions for systems operating according to the cdma2000 standard.

[0044] FIG 24 illustrates an implementation of a prior art reverse link symbol path, as well as an exemplary embodiment of a reverse link symbol path according to the present disclosure.

[0045] FIG 25 illustrates an exemplary embodiment of a signaling scheme used to signal the ACK message on the reverse link for early termination of a forward fundamental channel (F-FCH) and/or up to two forward supplemental channels (F-SCH1 and F-SCH2).

[0046] FIG 26 illustrates an exemplary embodiment of a method according to the present disclosure.

DETAILED DESCRIPTION

[0047] The detailed description set forth below in connection with the appended drawings is intended as a description of exemplary embodiments of the present invention and is not intended to represent the only exemplary embodiments in which the present invention can be practiced. The term “exemplary” used throughout this description means “serving as an example, instance, or illustration,” and should not necessarily be construed as preferred or advantageous over other exemplary embodiments. The detailed description includes specific details for the purpose of providing a thorough understanding of the exemplary embodiments of the invention. It will be apparent to those skilled in the art that the exemplary embodiments of the invention may be practiced without these specific details. In some instances, well known structures and devices are shown in block diagram form in order to avoid obscuring the novelty of the exemplary embodiments presented herein.

[0048] In this specification and in the claims, it will be understood that when an element is referred to as being “connected to” or “coupled to” another element, it can be directly connected or coupled to the other element or intervening elements may be present. In

contrast, when an element is referred to as being “directly connected to” or “directly coupled to” another element, there are no intervening elements present.

[0049] Communications systems may use a single carrier frequency or multiple carrier frequencies. Referring to FIG 1, in a wireless cellular communications system 100, reference numerals 102A to 102G refer to cells, reference numerals 160A to 160G refer to base stations, and reference numerals 106A to 106G refer to access terminals (AT's). A communications channel includes a forward link (FL) (also known as a downlink) for transmissions from the access network (AN) 160 to the access terminal (AT) 106 and a reverse link (RL) (also known as an uplink) for transmissions from the AT 106 to the AN 160. The AT 106 is also known as a remote station, a mobile station or a subscriber station. The access terminal (AT) 106 may be mobile or stationary. Each link may incorporate a different number of carrier frequencies. Furthermore, an access terminal 106 may be any data device that communicates through a wireless channel or through a wired channel, for example using fiber optic or coaxial cables. An access terminal 106 may further be any of a number of types of devices including but not limited to PC card, compact flash, external or internal modem, or wireless or wireline phone.

[0050] Modern communications systems are designed to allow multiple users to access a common communications medium. Numerous multiple-access techniques are known in the art, such as time division multiple-access (TDMA), frequency division multiple-access (FDMA), space division multiple-access, polarization division multiple-access, code division multiple-access (CDMA), and other similar multi-access techniques. The multiple-access concept is a channel allocation methodology which allows multiple user access to a common communications link. The channel allocations can take on various forms depending on the specific multi-access technique. By way of example, in FDMA systems, the total frequency spectrum is divided into a number of smaller sub-bands and each user is given its own sub-band to access the communications link. Alternatively, in TDMA systems, each user is given the entire frequency spectrum during periodically recurring time slots. In CDMA systems, each user is given the entire frequency spectrum for all of the time but distinguishes its transmission through the use of a code.

[0051] While certain exemplary embodiments of the present disclosure may be described hereinbelow for operation according to the cdma2000 standard, one of ordinary skill in the art will appreciate that the techniques may readily be applied to

other digital communications systems. For example, the techniques of the present disclosure may also be applied to systems based on the W-CDMA (or 3gpp) wireless communications standard, and/or any other communications standards. Such alternative exemplary embodiments are contemplated to be within the scope of the present disclosure.

[0052] FIG 2 illustrates a prior art signal transmission path 200 for voice. In FIG 2, a voice signal 200a is input to a vocoder 210, which codes the speech signal for transmission. A voice frame 210a output by the vocoder 210 may take on one of a plurality of rates, depending on the speech content of the voice signal 200a at any time. In FIG 2, the plurality of rates includes a full rate (FR), half rate (HR), quarter rate (QR), and eighth rate (ER). The voice frame 210a is provided to a physical layer processing module 220, which prepares the voice frame data for transmission according to the physical layer protocols of the system. One of ordinary skill in the art will appreciate that such protocols may include, e.g., encoding, repeating, puncturing, interleaving, and/or modulating the data. The output of the physical layer processing module 220 is provided to the TX block 230 for transmission. The TX block 230 may perform radio-frequency (RF) operations such as upconverting the signal to a carrier frequency and amplifying the signal for transmission over an antenna (not shown).

[0053] In general, the rate of the voice frame 210a selected by the vocoder 210 to encode the voice signal 200a at any time may depend on the level of speech activity detected in the voice signal 200a. For example, a full rate (FR) may be selected for frames during which the voice signal 200a contains active speech, while an eighth rate (ER) may be selected for frames during which the voice signal 200a contains silence. During such periods of silence, an ER frame may contain parameters characterizing the “background noise” associated with the silence. While an ER frame contains significantly fewer bits than an FR frame, silence periods may occur quite often during a normal conversation, thereby causing the overall transmission bandwidth devoted to transmitting ER frames to be significant.

[0054] It would be desirable to further reduce the transmission bandwidth required to convey the voice signal 200a to a receiver.

[0055] FIG 3 illustrates an exemplary embodiment of a signal transmission path 300 for voice according to the present disclosure. In FIG 3, a voice signal 200a is input to a

vocoder 310, which generates a voice frame 310a for transmission. The voice frame 310a may take on one of a plurality of rates including a full rate (FR), half rate (HR), quarter rate (QR), eighth rate (ER), and a critical eighth rate (ER-C). In an exemplary embodiment, the designation of an eighth-rate frame as a “critical” eighth rate frame may be made by the vocoder 310 for those eighth-rate frames containing parameters corresponding to, e.g., a change in the detected background noise in the silence interval.

[0056] The voice frame 310a is provided to a systematic blanking module 315, which in turn provides a processed voice frame 315a to the physical layer processing module 220. As further described hereinbelow, the systematic blanking module 315 is configured to minimize the transmission bitrate of the vocoder output 310a by selectively “blanking” the vocoder output, i.e., replacing certain frames of the vocoder output 310a with null rate (NR) frames having a data rate less than that of the eighth rate frame. In an exemplary embodiment, NR frames may have zero traffic content, i.e., a traffic bitrate of 0 bits per second (bps).

[0057] FIG 4 illustrates an exemplary embodiment 400 of an algorithm that may be applied by the systematic blanking module 315.

[0058] At step 410, the systematic blanking module 315 receives a frame 310a from the vocoder 310.

[0059] At step 420, the frame 310a is evaluated to determine whether it is FR, HR, QR, or ER-C. Such rates are deemed critical for transmission, and may also be referred to as critical frame types. If the frame 310a contains one of these critical rates, then the frame 310a is directly provided to the physical layer processing module 220 for transmission. If not, the frame is deemed to contain a non-critical rate, and the algorithm proceeds to step 430.

[0060] Note the exemplary designation of FR, HR, QR, and ER-C as “critical” is for illustrative purposes only, and is not meant to restrict the scope of the present disclosure to only those embodiments wherein such frame types are designated as critical. In alternative exemplary embodiments, other sets of frame types may be designated critical for transmission by a systematic blanking module. Such alternative exemplary embodiments are contemplated to be within the scope of the present disclosure.

[0061] At step 430, the algorithm evaluates a frame number of the current frame to be transmitted to determine whether the current frame is guaranteed for transmission. In an

exemplary embodiment, a guaranteed transmission may include a non-zero rate (e.g., non-NR) transmission. In an exemplary embodiment, a frame number may be a number assigned to each frame that is continuously iterated for each successive frame. In the exemplary embodiment shown, the current frame number *FrameNumber* is added to the current frame offset *FrameOffset*, and the result ($\text{FrameNumber} + \text{FrameOffset}$) is applied to a modulo operation (mod) with a non-blanking interval parameter *N*. If the result of the modulo operation is 0, the algorithm proceeds to step 440. Otherwise, the algorithm proceeds to step 450.

[0062] One of ordinary skill in the art will appreciate that techniques other than the specific evaluation shown at step 430 may readily be applied to specify which frames are to be guaranteed for transmission. Such alternative techniques may utilize, e.g., parameters other than the current frame number or current frame offset, or operations other than the modulo operation depicted.

[0063] At step 450, the systematic blanking module 315 provides a null rate (NR) frame to the physical layer processing module 220 for transmission. In an exemplary embodiment, a null rate frame has a traffic data rate of 0 bps (bits per second), and thus consumes minimal signaling bandwidth. After transmission of the null rate frame, the algorithm returns to step 410 to receive the next voice frame 310a from the vocoder 310.

[0064] Based on the above description, one of ordinary skill in the art will appreciate that the non-blanking interval *N* controls how often non-critical frames are transmitted, with $N=1$ corresponding to transmission of all non-critical frames, and greater values of *N* corresponding to less frequent transmissions of non-critical frames. In an exemplary embodiment, *N* may take on values of 1, 4 by default, 8, or other reserved values specified, e.g., by external signaling (not shown).

[0065] FIGs 5 and 5A illustrate exemplary frame transmission sequences 310a* and 315a*, respectively, as processed by a vocoder 310 and a systematic blanking module 315.

[0066] In FIG 5, the sequence of frames 310a* includes eighth-rate frames labeled "ER" and eighth-rate critical frames labeled "ER-C." Such a sequence of frames may arise during a voice conversation, e.g., a period of silence from one side of a conversation.

[0067] In FIG 5A, the frame transmission sequence 315a* corresponds to the result of applying a selective blanking algorithm such as 400 to the transmission sequence 310a*, wherein a non-blanking interval $N = 4$ is used. In FIG 5A, the sequence of frames 315a* includes eighth-rate frames ER and null-rate frames NR. FrameNum 0 is transmitted directly as received from vocoder 310, i.e., as an ER frame. FrameNum's 1 and 3 are transmitted as NR frames in accordance with a non-blanking interval $N = 4$. FrameNum 2, which is designated by the vocoder as a critical eighth-rate frame ER-C, is transmitted as an ER frame. FrameNum's 4 through 13 are similarly processed, as shown. Note in FIG 5A, the frames corresponding to $(\text{FrameNum} + \text{FrameOffset} \bmod N) = 0$ are marked.

[0068] FIG 6 illustrates an exemplary embodiment of a receiving algorithm 600 for processing signals generated by a voice transmission signal path employing a systematic blanking module such as 315 shown in FIG 3.

[0069] In FIG 6, at step 610, a transmitted signal is received (RX) and processed using, e.g., operations complementary to the TX operations 230 such as shown in FIG 3. Such RX operations may include, e.g., RF amplification, frequency downconversion, filtering, etc.

[0070] At step 620, physical layer receive (RX) processing is performed using, e.g., operations complementary to the physical layer TX operations 220 shown in FIG 3. Such physical layer receive processing may include, e.g., decoding, deinterleaving, symbol combining, etc.

[0071] At step 630, the algorithm 600 evaluates whether the current received frame is an NR frame. If yes, the algorithm returns to step 610 to begin receiving the next frame, as there is no traffic data to be processed for the NR frame. If no, the algorithm proceeds to step 640.

[0072] One of ordinary skill in the art will appreciate that various techniques may be employed to evaluate whether the current received frame is an NR frame. In an exemplary embodiment, an energy evaluation algorithm may be employed to detect the energy in the traffic portion of the received frame. For example, the energy corresponding to the traffic portion of a received frame may be measured, and compared to an appropriate scaled energy threshold. If the measured energy is less than the threshold, then a NR frame may be declared, since, in an exemplary embodiment, no

signal is expected to be transmitted by the transmitter in the traffic portion of the NR frame. Such energy evaluation algorithms may also utilize knowledge of the systematic blanking algorithm and non-blanking interval N used by the transmitter to further assist in the detection of NR frames.

[0073] Note the preceding description of possible NR detection algorithms is given for illustrative purposes only, and is not meant to limit the scope of the present disclosure to any particular NR detection algorithms.

[0074] At step 640, a parameter of the received non-NR frame may be used to update an outer loop power control (OLPC) algorithm at the receiver. In an exemplary embodiment, a parameter of the received non-NR frame may include, e.g., the result of whether a frame quality indicator (FQI), such as a CRC for the received frame, has passed a quality check. One of ordinary skill in the art will appreciate that an OLPC algorithm may be used to, e.g., compute an appropriate signal-to-interference ratio (SIR) setpoint for received frames, which may be used to guide a power control feedback mechanism between the transmitter and receiver for the transmitted voice frames. By excluding quality check results derived from NR frames, the OLPC algorithm may be correctly updated using, e.g., only frames having significant transmitted energy for the traffic portion.

[0075] At step 650, the voice frame may be decoded to a voice output 650a, and the algorithm 600 returns to step 610 to receive the next frame.

[0076] FIG 7 illustrates an alternative exemplary embodiment of a signal transmission path 700 for voice according to the present disclosure. In FIG 7, a voice signal 200a is input to a vocoder 710, which generates a voice frame 710a for transmission. The voice frame 710a may take on one of a plurality of rates including a full rate (FR), half rate (HR), quarter rate (QR), eighth rate (ER), and a vocoder null rate (VNR). A VNR frame, also known as a zero-rate vocoder frame or empty vocoder frame, is generated by the vocoder 710 when there is no new information to be sent by the vocoder. In an exemplary embodiment, the VNR frame may simply be a blank frame containing no data.

[0077] The voice frame 710a is provided to a systematic blanking module 715, which in turn provides a processed voice frame 715a to the physical layer processing module 220. As further described hereinbelow, the systematic blanking module 715 is

configured to minimize the transmission bitrate of the vocoder output 710a by selectively replacing certain frames of the vocoder output 710a with null rate (NR) or null-rate indicator (NRID) frames having little or no data content.

[0078] FIG 8 illustrates an exemplary embodiment 800 of an algorithm that may be applied by the systematic blanking module 715.

[0079] At step 810, the systematic blanking module 715 receives a frame 710a from the vocoder 710.

[0080] At step 820, the frame 710a is evaluated to determine whether it is FR, HR, QR, or ER. Such rates are deemed critical for transmission. If the frame 710a contains one of these critical rates, then the frame 710a is provided to the physical layer processing module 220 for transmission at step 840. If not, the frame is deemed to contain a non-critical rate, and the algorithm proceeds to step 830.

[0081] At step 830, the algorithm evaluates the current frame number of the transmission to determine whether a non-zero transmission should be made. In the exemplary embodiment shown, the current frame number `FrameNumber` is added to the current frame offset `FrameOffset`, and the result (`FrameNumber + FrameOffset`) is applied to a modulo operation (`mod`) with a non-blanking interval parameter `N`. If the result of the modulo operation is 0, the algorithm proceeds to step 835. Otherwise, the algorithm proceeds to step 850.

[0082] At step 835, a null rate indicator (NRID) frame may be transmitted. Such a frame may correspond to a predetermined frame or indicator recognizable to the receiver as containing no new information, also referred to as a frame comprising null traffic data. Null traffic data may contain a bit pattern that the receiving vocoder does not use, and thus the null traffic data will be discarded by the receiving vocoder. In one aspect, for example, the predetermined null frame or indicator may be a known 1.8-kbps frame having null traffic data. In another aspect, for example, the predetermined frame or indicator may repeat the last transmitted 1.8-kbps frame, thereby indicating null traffic data.

[0083] At step 850, the systematic blanking module 715 provides a null rate (NR) frame to the physical layer processing module 220 for transmission. In an exemplary embodiment, a null rate frame contains no traffic bits, and thus consumes minimal

signaling bandwidth. After transmission of the null rate frame, the algorithm returns to step 810 to receive the next voice frame 710a from the vocoder 710.

[0084] FIGs 9 and 9A illustrate exemplary frame transmission sequences 710a* and 715a*, respectively, as processed by a vocoder 710 and a systematic blanking module 715.

[0085] In FIG 9, the sequence of frames 710a* includes eighth-rate frames labeled “ER” and vocoder null rate frames labeled “VNR” generated by the vocoder 710.

[0086] In FIG 9A, the frame transmission sequence 715a* corresponds to the result of applying a selective blanking algorithm such as 800 to the transmission sequence 710a*, wherein a non-blanking interval $N = 4$ is used. In FIG 9A, the sequence of frames 715a* includes eighth-rate frames ER and null-rate frames NR. FrameNum 0 is transmitted directly as received from the vocoder 710, i.e., as an ER frame.

FrameNum’s 1 through 3 are transmitted as NR frames, and FrameNum 4 is transmitted as an NRID frame, in accordance with a non-blanking interval $N=4$. Note the NRID frame is transmitted to guarantee periodic non-zero rate frame transmission, as described with reference to the algorithm 800. The processing of FrameNum’s 5 through 13 may readily be understood by one of ordinary skill in the art in light of the preceding description.

[0087] FIG 10 illustrates an exemplary embodiment of a method 1000 for systematic blanking according to the present disclosure. Note the method 1000 is shown for illustrative purposes only, and is not meant to limit the scope of the present disclosure to any particular method shown.

[0088] In FIG 10, at step 1010, a determination can be made as to the existence of new traffic information, the new traffic information to be included in a frame for transmission over a wireless communications link.

[0089] At step 1020, a decision block determines the result of the determination at step 1010.

[0090] At step 1030, if new traffic information exists, a traffic portion comprising data representing the new traffic information can be added to a frame.

[0091] At step 1040, if no new traffic information exists, then no new frame is transmitted unless the respective frame corresponds to the frame guaranteed for

transmission. In this case, generate the frame guaranteed for transmission including null traffic data recognizable by the receiving vocoder as the null data rate.

[0092] FIG 11 illustrates an exemplary embodiment of a pilot gating scheme for identifying null rate frame transmissions according to the present disclosure. Note the pilot gating scheme is given for illustrative purposes only, and is not meant to limit the scope of the present disclosure to systems wherein a null rate frame transmission is necessarily accompanied by a gated pilot transmission.

[0093] In FIG 11, a traffic portion 1110 of a TX transmission is shown along with a pilot portion 1120. The pilot portion 1120 is seen to have a different pattern during transmission of a null rate frame than during transmission of a non-null rate frame. For example, as shown in FIG 11, the pilot gating pattern for a null frame may correspond to 2 sub-segments or PCG's wherein the pilot is turned on (indicated by "P" in FIG 11), alternating with 2 sub-segments or PCG's wherein the pilot is turned off. The use of a different pilot gating pattern during null frame transmissions may further assist a receiver in determining whether a frame currently being received is a null frame. This may be used, e.g., during null rate determination step 630 in FIG 6.

[0094] One of ordinary skill in the art will appreciate in light of the present disclosure that alternative pilot gating patterns may be readily derived to signal the presence of null frames. For example, the pilot gating pattern may include pilot transmissions every other sub-segment or PCG, or using any other pattern. Such alternative techniques are contemplated to be within the scope of the present disclosure.

[0095] In another aspect of the present disclosure, to further reduce the signal transmissions of the system, the power control rate of the forward link and/or reverse link of the system may be reduced. In an exemplary embodiment, the mobile station may reduce the number of forward link power control commands it sends to the base station, such as by only sending forward link power control commands only during PCG's corresponding to the gated reverse link pilot transmissions, even in frames where the reverse link pilot portion is continuous (i.e., non-gated). In another exemplary embodiment, the base station may transmit reverse link power control commands at a reduced rate, such as in every other power control group. Further, the mobile station receiving these reverse link power control commands may apply each one to control transmissions of non-null frames. For null frames, a reduced number (e.g. less than all)

of the received power control commands from the base station may be utilized to control the mobile station's transmissions of null frames, such as when the reverse link pilot portion is gated, as described above. These exemplary power control techniques are further described with reference to FIGs 12 through 14.

[0096] FIG 12 illustrates an exemplary embodiment 1200 of a reduced rate power control scheme for controlling the power of forward link (FL) transmissions according to the present disclosure.

[0097] In FIG 12, base station transmissions (BS TX) 1210 are shown along with mobile station transmissions (MS TX) 1220. The PCG's containing forward link (FL) power control (PC) commands sent by a mobile station are shown as hatched PCG's in 1220. An upward-right arrow originates from each hatched PCG's, and points to the forward link PCG transmitted by the base station wherein the received FL PC commands is applied. For example, the FL PC command sent by the mobile station in RL PCG #3 is applied by the base station in transmitting FL PCG #4, etc.

[0098] Note in FIG 12, the hatched PCG's in 1220 correspond to the RL PCG's wherein the RL TX pilot is turned on, according to the gated pilot scheme 1100 shown in FIG 11. At the same time, the mobile station only sends FL PC commands in RL PCG's corresponding to the hatched PCG's, as shown in 1220. The mobile station does not send FL PC commands in the non-hatched RL PCG's. The FL PC commands are thus transmitted only in those RL PCG's that are also transmitted during the gated pilot scheme, regardless of whether a gated pilot pattern is employed or not for the particular frame (e.g., whether a particular frame is a null rate frame or not). One of ordinary skill in the art will appreciate that this may reduce the complexity of FL PC processing, while also reducing the overall FL PC rate.

[0099] FIG 13 illustrates an exemplary embodiment 1300 of a reduced rate power control scheme for controlling the power of reverse link (RL) continuous pilot transmissions according to the present disclosure.

[00100] In FIG 13, the PCG's containing forward link (RL) power control (PC) commands sent by a base station are shown as hatched PCG's in 1310. A downward-right arrow originates from each hatched PCG, and points to the reverse link PCG transmitted by the mobile station that applies the corresponding received RL PC

commands. For example, the RL PC command sent by the base station in FL PCG #3 is applied by the mobile station in transmitting RL PCG #4, etc.

[00101] In FIG 13, the base station only sends RL PC commands in FL PCG's corresponding to the hatched PCG's, as shown in 1310. The base station does not send RL PC commands in the non-hatched PCG's.

[00102] FIG 14 illustrates an exemplary embodiment 1400 of a reduced rate power control scheme for controlling the power of reverse link (RL) gated pilot transmissions according to the present disclosure.

[00103] In FIG 14, the PCG's containing forward link (RL) power control (PC) commands sent by a base station are again shown as hatched PCG's in 1410. A solid downward-right arrow originates from a hatched PCG, and points to the reverse link PCG transmitted by the mobile station that applies the corresponding received RL PC commands. On the other hand, a dashed arrow originating from a hatched PCG indicates an RL PC command transmitted by the base station that is not applied by the MS to the corresponding RL PCG pointed to. The base station only sends RL PC commands in FL PCG's corresponding to the hatched PCG's. The base station does not send RL PC commands in the non-hatched PCG's.

[00104] For example, the RL PC command sent by the base station in FL PCG #1 is applied by the mobile station in transmitting RL PCG #3, etc. On the other hand, the RL PC command sent by the base station in FL PCG #2 is not applied by the mobile station in transmitting RL PCG #4. Instead, in an exemplary embodiment, the mobile station can maintain the same power level as used for the previous PCG, e.g., RL PCG #3 in the example described. In an aspect of the present disclosure, this may be done to simplify the processing of RL PC commands by the mobile station.

[00105] FIG 15 illustrates a power control method 1500 according to the present disclosure. Note the method 1500 is shown for illustrative purposes only, and is not meant to limit the scope of the present disclosure.

[00106] At step 1510, a current frame is received, the frame being formatted into a plurality of sub-segments.

[00107] At step 1520, the received frame is processed according to physical layer protocols.

[00108] At step 1530, a power control command received in a sub-segment designated for transmission according to a first gated pilot pattern is received.

[00109] At step 1540, the transmission power of a TX sub-segment following the designated sub-segment is adjusted according to the received power control command, the TX sub-segment being transmitted according to a second gate pilot pattern.

[00110] According to another aspect of the present disclosure, techniques are provided for early termination of forward and/or reverse link transmissions in a wireless communications system to save power and increase capacity.

[00111] FIG 16 illustrates a prior art frame processing scheme for processing information bits 1600b at a transmitter in a communications system. In certain exemplary embodiments, the frame processing scheme shown may be utilized in the forward link or reverse link transmissions of a wireless communications system. FIG 16A illustrates the status of the data processed by the operations illustrated in FIG 16.

[00112] Note the frame processing scheme is shown for illustrative purposes only, and is not meant to restrict the scope of the present disclosure to any particular processing scheme shown. Alternative exemplary embodiments of the present disclosure may adopt alternative frame processing schemes which may, e.g., re-order the steps of the scheme shown in FIG 16, and/or add steps to or delete steps from the scheme shown. Such alternative exemplary embodiments are contemplated to be within the scope of the present disclosure.

[00113] In FIG 16, an information source generates information bits 1600b at a selected rate R . The number of information bits 1600b generated per frame may depend on the selected rate R . For example, in a cdma2000 system, there may be 172 information bits per 20-millisecond frame (“full rate”), 80 bits per frame (“half rate”), 40 bits per frame (“quarter rate”), or 16 bits per frame (“eighth rate”). The information bits 1600b for a frame are collectively denoted by the variable b in FIG 16A.

[00114] At step 1600, a frame-quality indicator (FQI) may be generated and appended to the information bits 1600b for a frame. For example, an FQI may be a cyclical-redundancy check (CRC) known to one of ordinary skill in the art. Signal 1600a represents the combination of the information bits 1600b and the FQI, as also illustrated in FIG 16A.

[00115] At step 1610, encoder tail bits may be added to the signal 1600a. For example, encoder tail bits may represent a fixed number of zero-valued tail bits for use with a convolutional encoder. Signal 1610a represents the combination of signal 1600a with the encoder tail bits, as also illustrated in FIG 16A.

[00116] At step 1620, the signal 1610a is encoded and repeated (or punctured). As earlier described, the encoding may include convolutional encoding or turbo encoding, and the repetition may serve to further increase (or decrease, in the case of puncturing) the transmitted energy associated with each symbol. Note the encoding may employ other techniques known to one of ordinary skill in the art, such as block encoding or other types of encoding, and need not be limited to the encoding explicitly described in the present disclosure. The signal 1620a represents the encoded and repeated (or punctured) version of signal 1610a, as also illustrated in FIG 16A.

[00117] At step 1630, the signal 1620a is interleaved, e.g., to improve the diversity of the encoded symbols along a chosen signal dimension. In an exemplary implementation, the symbols may be interleaved over time. Signal 1630a represents the interleaved version of signal 1620a, as also illustrated in FIG 16A.

[00118] At step 1640, the interleaved symbols of signal 1630a are mapped to a pre-defined frame format, as also illustrated in FIG 16A. A frame format may specify the frame as being composed of a plurality of sub-segments. In an exemplary embodiment, sub-segments may be any portions of the frame contiguous along a given dimension, e.g., time, frequency, code, or any other dimension. A frame may be composed of a fixed plurality of such sub-segments, each sub-segment containing a portion of the total number of symbols allocated to the frame. For example, in an exemplary embodiment according to the W-CDMA standard, a sub-segment may be defined as a slot. In an exemplary embodiment according to the cdma2000 standard, a sub-segment may be defined as a power control group (PCG).

[00119] In certain exemplary embodiments, the interleaved symbols may be mapped in time, frequency, code, or any other dimensions used for signal transmission. Furthermore, a frame format may also specify the inclusion of, e.g., control symbols (not shown) along with the interleaved symbols of signal 1630a. Such control symbols may include, e.g., power control symbols, frame format information symbols, etc. Signal

1640a represents the output of the symbol-to-frame mapping step 1640, as also illustrated in FIG 16A.

[00120] At step 1650, the signal 1640a is modulated, e.g., onto one or more carrier waveforms. In certain exemplary embodiments, the modulation may employ, e.g., QAM (quadrature amplitude modulation), QPSK (quadrature phase-shift keying), etc. Signal 1650a represents the modulated version of the signal 1640a, as also illustrated in FIG 16A. Signal 1650a is further denoted by the variable x in FIG 16A.

[00121] At step 1660, the modulated signal 1650a is further processed, transmitted over the air, and received by a receiver. Step 1660 generates the received symbols 1700a, further denoted by the variable y in FIG 16A. Note one of ordinary skill in the art will appreciate that the techniques for processing the signal 1650a for transmission and reception over-the-air are well-known, and are not further disclosed herein. The symbols contained in y may be further processed as described hereinbelow.

[00122] FIG 17 illustrates timing diagrams associated with a prior art forward link signaling scheme for cdma2000.

[00123] In FIG 17, the base station (BS) transmits at 1700 a series of frames on a forward fundamental channel (F-FCH TX) to the mobile station (MS). In the exemplary embodiment shown, the sub-segments correspond to power control groups (PCG's), sixteen (numbered 0 to 15) of which make up each frame. Upon transmitting all sixteen PCG's corresponding to a first frame TX Frame #0, the BS begins transmitting the next frame TX Frame #1. In an exemplary embodiment, the data transmitted may be processed as previously described herein with reference to FIGs 16 and 16A.

[00124] On the MS side, the MS receives at 1710 the PCG's transmitted. Upon receiving the last PCG (i.e., PCG #15) of RX Frame #0 corresponding to TX Frame #0, the MS begins decoding RX Frame #0 using all PCG's received. The decoded information is available a decoding time TD thereafter. In an exemplary embodiment, the decoding may be performed as described hereinbelow with reference to FIG 18. Note while the MS is decoding TX Frame #0, the PCG's of TX Frame #1 are simultaneously received.

[00125] FIG 18 illustrates a prior art method 1800 for recovering estimated information bits b' from received symbols y .

[00126] At step 1805, symbols y or 1700a are received for an entire frame.

[00127] At step 1810, the symbols y or 1700a are demodulated, parsed, and deinterleaved to produce symbols y' , also denoted as signal 1810a. One of ordinary skill in the art will appreciate that the operations performed at step 1810 may correspond to an inverse of the operations performed at the transmitter, as shown in, e.g., FIG 16.

[00128] At step 1820, the symbols y' are decoded and combined, given knowledge of the rate R . In an implementation, the rate R may indicate how many bits are present in a received frame, and may be used, e.g., by the decoder to determine at which point in the received symbol sequence to terminate decoding, and/or remove tail bits from the decoded sequence. At step 1820, tail bits of the decoded sequence, e.g., as appended at step 1610 of FIG 16, may also be removed. The result of step 1820 is an output signal 1820a.

[00129] At step 1830, the FQI, e.g., as appended at step 1600 of FIG 16, is checked, and also removed from the information bits. In an implementation, the result of the FQI check may identify the decoding as either a success or a failure. Step 1830 generates the recovered information bits, denoted as b' , along with the FQI result, which may indicate either a success or failure.

[00130] At step 1840, the method may proceed to the next frame, and repeat the steps described above for the next frame.

[00131] In accordance with the present disclosure, early frame decoding and termination techniques as described hereinbelow may allow the overall communications system 100 to operate more efficiently and save transmission power, thereby increasing cellular capacity.

[00132] FIG 19 illustrates an exemplary embodiment of a scheme for early termination of forward link transmissions for systems operating according to the cdma2000 standard. Note the exemplary embodiment is shown for illustrative purposes only, and is not meant to limit the scope of the present disclosure to systems based on cdma2000. One of ordinary skill in the art will also appreciate that specific PCG and frame numbers referred to herein are for illustrative purposes only, and are not meant to limit the scope of the present disclosure.

[00133] In FIG 19, the base station (BS) transmits a series of frames at 1900 to the mobile station (MS). In an exemplary embodiment, the transmissions may be done on a fundamental forward channel (F-FCH TX). As described earlier hereinabove, each

sub-segment shown in FIG 19 may correspond to a power control group (PCG) in cdma2000. The BS commences transmission with PCG #0 of TX Frame #0, and continuously transmits PCG's until an ACK signal 1945 is received from the MS after PCG #8. The ACK signal is transmitted by the MS to signal to the BS that the MS has successfully decoded the entire TX Frame #0 based on the PCG's already received.

[00134] Upon receiving the ACK 1945, the BS ceases transmission of PCG's corresponding to TX Frame #0, and waits until the beginning of the next frame, TX Frame #1, before transmitting PCG's for the new frame TX Frame #1. Note during the finite period of time associated with receiving and processing the ACK signal 1945, the BS may already have begun transmitting PCG #9 of TX Frame #0.

[00135] Reference numerals 1910 through 1940 illustrate the timing of actions taken by the MS to generate the ACK signal 1945 sent to the BS that allows early termination of TX frame transmissions by the BS.

[00136] At 1910, the MS receives the PCG's for TX Frame #0 and TX Frame #1 as RX Frame #0 and RX Frame #1, respectively.

[00137] At 1920, the MS attempts to decode RX Frame #0 as each PCG of RX Frame #0 is received, without waiting for all sixteen PCG's allocated to RX Frame #0 to be received. In an exemplary embodiment, to accomplish such decoding on a per-PCG basis, the MS may utilize a per-sub-segment decoding algorithm such as 2000 later described hereinbelow with reference to FIG 20.

[00138] At 1925, after receiving PCG #7, the MS successfully decodes RX Frame #0, as determined by, e.g., checking the CRC associated with the received bits. The MS declares a decoding success, and proceeds to the ACK transmission 1930.

[00139] At 1930, after declaring decoding success at 1925, the MS transmits an MS ACK signal 1945 to the BS during a portion of the transmission associated with PCG #8 of the reverse link.

[00140] In an exemplary embodiment, the MS may simply transmit the ACK signal during the PCG immediately subsequent to, or at any PCG subsequent to, the PCG in which a decoding success is determined. In an alternative exemplary embodiment such as that shown in FIG 19, the timing of the ACK signal 1945 transmission may be controlled by an ACK mask 1940. The ACK mask is operable to specify when an ACK signal may or may not be transmitted. Providing such an ACK

mask may limit the communications link capacity utilized by the sending of acknowledgement messages.

[00141] In FIG 19, the ACK mask 1940 is characterized by time intervals designated "1" during which ACK transmission on the reverse link is allowed. ACK transmissions are not allowed during time intervals designated "0." In an exemplary embodiment, by restricting ACK transmissions to only time intervals after a threshold PCG, the ACK mask may ensure that decoding is only attempted when a sufficient portion of the received frame has been processed. According to the present disclosure, the MS may transmit an ACK message in the next time period designated as "1" by an ACK mask that immediately follows a successful decode.

[00142] Note the particular ACK mask configurations shown herein are for illustrative purposes only, and are not meant to restrict the scope of the present disclosure to any ACK mask shown. One of ordinary skill in the art will appreciate that alternative ACK mask configurations may readily be provided to allow ACK transmission during different portions of the sub-segments or PCG's than those shown. Such alternative exemplary embodiments are contemplated to be within the scope of the present disclosure.

[00143] In an exemplary embodiment, the PCG's designated by the ACK mask pattern may overlap with the same PCG's as prescribed by a pattern for an RL gated pilot pattern used to signal an NR frame transmission, such as earlier described herein with reference to FIG 11.

[00144] In an exemplary embodiment, the BS TX may also include a pilot transmission (not shown) that may switch from a continuously transmitted pilot signal to a gated pilot signal upon receiving the MS ACK 1945, the gated pilot signal being transmitted according to a gated pilot pattern.

[00145] FIG 20 illustrates an exemplary embodiment of a per-sub-segment decoding scheme according to the present disclosure. Note the method 2000 is shown for illustrative purposes only, and is not intended to restrict the scope of the present disclosure to any particular exemplary embodiments shown.

[00146] In FIG 20, at step 2001, a sub-segment index n is initialized to $n = 0$.

[00147] At step 2005, the method receives symbols y_n for sub-segment n .

[00148] At step 2010, the method demodulates, parses, and deinterleaves all symbols y_n received up to and including sub-segment n of the current frame. y_n may include, e.g., all traffic symbols received from sub-segment 0 through sub-segment n , inclusive. The result of step 2010 is denoted as y'_n .

[00149] At step 2020, the method decodes and combines the symbols y'_n . One of ordinary skill in the art will appreciate that while the symbols y'_n in general correspond to only a portion of the total symbols x allocated by the transmitter for the entire frame, “early” decoding of the entire frame using only the symbols y'_n may nevertheless be attempted. Such an early decoding attempt may have a good chance of decoding success due to, e.g., redundancy in the symbols x introduced by fractional rate encoding and/or repetition, e.g., at step 1620 of FIG 16, and/or time- or other-dimensional diversity achieved via interleaving at step 1630 of FIG 16.

[00150] At step 2020, the encoded tail bits may further be removed from the decoded bit sequence to generate the signal 2020a.

[00151] At step 2030, the method checks the FQI from the signal 2020a, and generates an FQI result 2030a from the accumulated received sub-segments for the current frame up to n .

[00152] At step 2035, the method evaluates whether the FQI result indicated a success. If yes, the method proceeds to step 2040, wherein decoding is declared successful, and the method proceeds to ACK message generation to enable early termination of forward link transmissions. The next available opportunity may be, e.g., as specified by an ACK mask as described with reference to FIG 5. If no, the method proceeds to step 2037.

[00153] At step 2037, the method increments n , and determines whether there are additional sub-segments left in the frame to be received. If yes, the method returns to step 2005. If no, the method proceeds to declare decoding for the frame unsuccessful at step 2060.

[00154] At step 2070, the decoder proceeds to evaluate the next frame.

[00155] FIG 21 illustrates an implementation 2100 of a prior art forward link symbol path for Radio Configuration 4 (RC4) according to the cdma2000 standard, as well as an exemplary embodiment 2110 of a forward link symbol path according to the

present disclosure. In the implementation 2100, the frame quality indicator includes CRC's of length 6, 6, 8, or 12 that are appended to the bits of a frame, depending on the frame symbol rate. In the exemplary embodiment 2110 according to the present disclosure, the frame quality indicator includes CRC's of increased length 12, 12, 12, or 12 that are appended to the bits of a frame. The use of increased-length CRC's improves the performance of the early decoding schemes according to the present disclosure, allowing, e.g., more accurate detection of decoding success for early decoding techniques according to the present disclosure. Note the specific CRC lengths illustrated herein are provided for illustrative purposes only, and are not meant to limit the scope of the present disclosure to any particular CRC lengths illustrated.

[00156] As further shown in the implementation 2100, the symbol puncture rates are 1/5, 1/9, None, and None, depending on the frame symbol rate. In the exemplary embodiment 2110 according to the present disclosure, the symbol puncture rates are 1/3, 1/5, 1/25, and None, depending on the frame symbol rate. One of ordinary skill in the art will appreciate that the increased puncturing in the exemplary embodiment 2110 may be used to accommodate the increased length CRC's called for by the exemplary embodiment 2110.

[00157] FIG 22 illustrates an exemplary embodiment of a signaling scheme 2200 used to signal the ACK message on the reverse link for early termination of forward link transmissions. In FIG 22, a reverse ACK channel (R-ACKCH) 2210 is modulated using on-off keying (OOK) onto a Walsh code W(64, 16) 2212 using modulator 2214. A relative channel gain 2216 is applied to the resultant signal, and provided to the additive combiner 2218.

[00158] In FIG 22, a reverse fundamental channel (R-FCH) 2220 having a rate of 1536 symbols per 20 ms is modulated onto a Walsh function W(16,4) 2222 using a modulator 2224. A relative channel gain 2226 is applied to the resultant signal, and the result also provided to the additive combiner 2218. The output of the additive combiner may be provided on a quadrature (Q) channel 2228 for reverse link transmission to the BS. In the exemplary embodiment shown, an in-phase (I) channel 2234 is also provided that includes a reverse pilot channel (R-PICH) 2230.

[00159] Note the exemplary embodiment of the reverse link ACK signaling scheme shown with reference to FIG 22 is given for illustrative purposes only, and is

not meant to limit the scope of the present disclosure to any particular embodiment of an ACK signaling scheme. One of ordinary skill in the art will appreciate that alternative techniques for signaling an ACK on the reverse link may be readily derived in light of the present disclosure, including applying different forms of modulation, and sending the ACK message on alternative channels than shown. Such alternative exemplary embodiments are contemplated to be within the scope of the present disclosure.

[00160] FIG 23 illustrates an exemplary embodiment of a scheme 2300 for early termination of reverse link transmissions for systems operating according to the cdma2000 standard. Note the exemplary embodiment is shown for illustrative purposes only, and is not meant to restrict the scope of the present disclosure to any particular reverse link early termination scheme shown. One of ordinary skill in the art will appreciate that the specific PCG and Frame numbers referred to herein are for illustrative purposes only.

[00161] In FIG 23, the mobile station (MS) transmits a series of frames at 2300 to the base station (BS). In an exemplary embodiment, the frames may be transmitted on a reverse fundamental channel (R-FCH TX). In FIG 23, each sub-segment shown corresponds to a power control group (PCG). The MS commences transmission of TX Frame #0 at PCG #0, and continuously transmits PCG's until an ACK signal 2345 is received from the BS after PCG #8. Upon receiving the ACK 2345, the MS ceases transmission of PCG's corresponding to TX Frame #0, and waits until the beginning of the next frame, TX Frame #1, to begin transmitting PCG's corresponding to TX Frame #1.

[00162] Reference numerals 2310 through 2340 illustrate the timing of actions taken by the BS to generate the ACK signal 2345 sent to the MS that allows early termination of reverse link frame transmissions by the MS.

[00163] At 2310, the BS receives the PCG's of TX Frame #0 and TX Frame #1 as RX Frame #0 and RX Frame #1, respectively.

[00164] At 2320, the BS attempts to decode RX Frame #0 as each individual PCG is received, without waiting for all sixteen PCG's allocated to RX Frame #0 to be received. In an exemplary embodiment, to accomplish such decoding on a per-PCG basis, the BS may utilize a per-sub-segment decoding algorithm such as 2000 earlier described with reference to FIG 20.

[00165] At 2325, after receiving PCG #5, the BS declares a decoding success, and proceeds to the ACK transmission step 2330 to generate the BS ACK TX signal.

[00166] At 2330, after declaring decoding success at step 2325, the BS transmits an ACK signal 2345 during a portion of the transmission associated with PCG #8 of the Forward Link. The portion of the transmission during which an ACK signal 2345 is sent may be defined by a corresponding ACK mask 2340.

[00167] In an exemplary embodiment, the ACK mask pattern may allow ACK transmission only during those PCG's in which a power control command is sent on the forward link (FL) to control reverse link (RL) power transmissions, as earlier described herein with reference to FIG 19.

[00168] In FIG 23, 2350 further illustrates the transmission of the reverse link pilot signal by the MS according to the exemplary embodiment of the reverse link early termination scheme. At step 2350, after the ACK signal 2345 is received by the MS from the BS at PCG #8, the MS ceases transmitting the RL pilot signal at every PCG. Rather, as shown, the RL pilot signal transmission may be gated OFF for select PCG's. This may serve to both conserve RL pilot signal transmission power for the remaining PCG's, as well as to provide an additional ACK signaling mechanism to the BS. In an exemplary embodiment, the RL gated pilot pattern for the remaining PCG's may correspond to a pattern used to signal an NR frame transmission, such as earlier described herein with reference to FIG 11.

[00169] In the exemplary embodiment shown, the RL pilot signal is gated OFF during PCG's 9, 10, 13, and 14. In general, the RL pilot signal may be gated OFF in alternating groups of two PCG's after the ACK signal is transmitted, until the end of the early terminated frame. It should further be noted that, as with pilot gating of NR frames, various schemes may be utilized for the pilot gating of early terminated frames, such as: one power control group on followed by one power control group off; two power control groups on followed by two power control groups off; and any other pattern operable to reduce transmission power.

[00170] FIG 24 illustrates an implementation 2400 of a prior art reverse link symbol path, as well as an exemplary embodiment 2410 of a reverse link symbol path according to the present disclosure. In the implementation 2400, CRC's of length 6, 6, 8, or 12 are appended to the bits of a frame, depending on the frame symbol rate. In the

exemplary embodiment 2410 according to the present disclosure, CRC's of increased length 12, 12, 12, or 12 may be appended to the bits of a frame. As in the case of the forward link processing illustrated in FIG 21, the use of increased-length CRC's improves the performance of the early decoding schemes according to the present disclosure, allowing, e.g., more accurate detection of decoding success for the early decoding techniques. Note the specific CRC lengths illustrated herein are provided for illustrative purposes only, and are not meant to limit the scope of the present disclosure to any particular CRC lengths illustrated.

[00171] As further shown in the implementation 2400, the symbol puncture rates are 1/5, 1/9, None, and None, depending on the frame symbol rate. In the exemplary embodiment 2410 according to the present disclosure, the symbol puncture rates are 1/3, 1/5, 1/25, and None, depending on the frame symbol rate. One of ordinary skill in the art will appreciate that the increased use of puncturing in the exemplary embodiment 2410 may accommodate the increased length CRC's that are also present in the exemplary embodiment 2410.

[00172] In an exemplary embodiment, the ACK signal sent by the BS to the MS may be provided by supplanting (puncturing) a bit having a predetermined position on a forward link traffic channel, and/or using on-off keying (OOK) at the predetermined position to signal an ACK or NAK (no acknowledgment) to the MS. In an exemplary embodiment, the predetermined position may be varied on a per-frame basis according to a predetermined pseudorandom bit pattern. In an exemplary embodiment, the ACK bit may be time domain multiplexed (TDM'ed) with a reverse link power control bit.

[00173] Note the frame early termination aspects described above may be applied not only to a fundamental channel of a cdma2000 communications link, but also to a "high data rate" supplemental channel. For example, in an alternative exemplary embodiment (not shown), an ACK signaling mechanism on the forward link may be used to enable early termination of transmissions by one or more MS's on one or more corresponding reverse supplemental channels.

[00174] For example, in an exemplary embodiment (not shown), one or more MS's may simultaneously transmit frames on corresponding reverse supplemental channels. If the BS successfully receives a frame on a reverse supplemental channel from an MS, the BS may transmit an ACK on a corresponding forward common

acknowledgment subchannel of a forward common acknowledgment channel, with one subchannel of each forward common acknowledgment channel assigned to control one reverse supplemental channel. In this manner, forward common acknowledgment subchannels from multiple MS's may be multiplexed on a single forward common acknowledgment channel. For example, in an exemplary embodiment, multiple subchannels may be time multiplexed on a single common acknowledgment channel according to a predetermined pattern known to the BS and the one or more MS's. Such predetermined pattern may be indicated via external signaling (not shown).

[00175] The BS may support operation on one or more forward common acknowledgment channels. In an exemplary embodiment, the sub-segments or PCG's in which the forward common acknowledgment channel for the reverse supplemental channels can be transmitted may be indicated by an ACK mask as previously described herein.

[00176] In an alternative exemplary embodiment, an ACK signaling mechanism on the reverse link may be provided to control transmissions on both a forward fundamental channel and one or more forward supplemental channels, for systems operating according to the cdma2000 standard. FIG 25 illustrates an exemplary embodiment of a signaling scheme 2500 used to signal the ACK message on the reverse link for early termination of a forward fundamental channel (F-FCH) and/or up to two forward supplemental channels (F-SCH1 and F-SCH2).

[00177] In FIG 25, a reverse ACK channel (R-ACKCH) 2520 is modulated using binary phase shift keying (BPSK) onto a Walsh function $W(64, 16)$ 2522 using modulator 2524. In an exemplary embodiment, the R-ACKCH 2520 may signal the BS to terminate transmissions on a forward fundamental channel (F-FCH). A relative channel gain 2526 is applied to the resultant signal, and provided to the additive combiner 2518.

[00178] In FIG 25, a second reverse ACK channel (R-ACKCH) 2510 is modulated using binary phase shift keying (BPSK) onto a Walsh function $W(16, 12)$ 2512 using modulator 2514. In an exemplary embodiment, the ACKCH 2510 may signal the BS to terminate transmissions on a first forward supplemental channel (F-SCH1). A relative channel gain 2516 is applied to the resultant signal, and provided to the additive combiner 2518.

[00179] As further shown in FIG 25, both the R-ACK channels may be combined with a reverse fundamental channel (R-FCH) onto the quadrature (Q) component of the RL signal. The R-FCH may have a rate of 1536 symbols per 20 ms, and is also modulated onto a Walsh function $W(16,4)$ 2532 using a modulator 2534. A relative channel gain 2536 is applied to the resultant signal, and provided to the additive combiner 2518. The output of the additive combiner may be provided on a quadrature (Q) channel 2528 for reverse link transmission to the BS.

[00180] As further shown in FIG 25, a third reverse ACK channel (R-ACKCH) 2550 is modulated using on-off keying (OOK) onto a Walsh function $W(16, 8)$ 2552 using modulator 2554. In an exemplary embodiment, the ACKCH 2550 may signal the BS to terminate transmissions on a second forward supplemental channel (F-SCH2). A relative channel gain 2556 is applied to the resultant signal, and provided to the additive combiner 2548. R-ACKCH 2550 may be combined with a reverse pilot channel (R-PICH) 2540 using adder 2548 to generate the in-phase (I) reverse link signal 2544.

[00181] One of ordinary skill in the art will appreciate that the above illustrations of specific ACK signaling schemes for the forward link are given for illustrative purposes only, and are not meant to limit the scope of the present disclosure to any particular ACK signaling schemes for the forward and reverse channels.

[00182] FIG 26 illustrates an exemplary embodiment of a method 2600 according to the present disclosure. Note the method 2600 is shown for illustrative purposes only, and is not meant to restrict the scope of the present disclosure to any particular method.

[00183] At step 2610, a voice frame is received.

[00184] At step 2620, the method attempts early decoding of the voice frame received. In an exemplary embodiment, the early decoding may be attempted prior to all sub-segments of the frame being received.

[00185] At step 2630, the method determines whether the attempted voice frame decoding has been successful. In an exemplary embodiment, a frame quality indicator such as a CRC may be checked to determine whether frame decoding has been successful.

[00186] At step 2640, an acknowledgment signal (ACK) is transmitted to terminate voice frame transmission.

[00187] The early termination techniques of the present disclosure may readily be applied to situations wherein a mobile station is in “soft handoff,” i.e., wherein an MS communicates simultaneously with multiple BS’s on the forward and/or reverse link.

[00188] For example, when an MS is in soft handoff between two BS’s, the reverse link transmissions by the MS may be received at each of the two BS’s, either or both of which may transmit an ACK signal (not necessarily at the same time) back to the MS to cease MS transmissions. In an exemplary embodiment, in response to receiving more than one ACK signal over the course of a reverse link frame transmission, the MS may cease transmission of the current frame after receiving the first of the ACK signals. Furthermore, early termination may be similarly applied to control forward link transmissions by the two BS’s to an MS. For example, in response to successful early decoding of a frame received simultaneously from two BS’s, an MS may transmit an ACK signal to cease transmissions by both BS’s on the forward link. Such alternative exemplary embodiments are contemplated to be within the scope of the present disclosure.

[00189] Those of skill in the art would understand that information and signals may be represented using any of a variety of different technologies and techniques. For example, data, instructions, commands, information, signals, bits, symbols, and chips that may be referenced throughout the above description may be represented by voltages, currents, electromagnetic waves, magnetic fields or particles, optical fields or particles, or any combination thereof.

[00190] Those of skill would further appreciate that the various illustrative logical blocks, modules, circuits, and algorithm steps described in connection with the exemplary embodiments disclosed herein may be implemented as electronic hardware, computer software, or combinations of both. To clearly illustrate this interchangeability of hardware and software, various illustrative components, blocks, modules, circuits, and steps have been described above generally in terms of their functionality. Whether such functionality is implemented as hardware or software depends upon the particular application and design constraints imposed on the overall system. Skilled artisans may implement the described functionality in varying ways for each particular application, but such implementation decisions should not be interpreted as causing a departure from the scope of the exemplary embodiments of the invention.

[00191] The various illustrative logical blocks, modules, and circuits described in connection with the exemplary embodiments disclosed herein may be implemented or performed with a general purpose processor, a Digital Signal Processor (DSP), an Application Specific Integrated Circuit (ASIC), a Field Programmable Gate Array (FPGA) or other programmable logic device, discrete gate or transistor logic, discrete hardware components, or any combination thereof designed to perform the functions described herein. A general purpose processor may be a microprocessor, but in the alternative, the processor may be any conventional processor, controller, microcontroller, or state machine. A processor may also be implemented as a combination of computing devices, e.g., a combination of a DSP and a microprocessor, a plurality of microprocessors, one or more microprocessors in conjunction with a DSP core, or any other such configuration.

[00192] The steps of a method or algorithm described in connection with the exemplary embodiments disclosed herein may be embodied directly in hardware, in a software module executed by a processor, or in a combination of the two. A software module may reside in Random Access Memory (RAM), flash memory, Read Only Memory (ROM), Electrically Programmable ROM (EPROM), Electrically Erasable Programmable ROM (EEPROM), registers, hard disk, a removable disk, a CD-ROM, or any other form of storage medium known in the art. An exemplary storage medium is coupled to the processor such that the processor can read information from, and write information to, the storage medium. In the alternative, the storage medium may be integral to the processor. The processor and the storage medium may reside in an ASIC. The ASIC may reside in a user terminal. In the alternative, the processor and the storage medium may reside as discrete components in a user terminal.

[00193] In one or more exemplary embodiments, the functions described may be implemented in hardware, software, firmware, or any combination thereof. If implemented in software, the functions may be stored on or transmitted over as one or more instructions or code on a computer-readable medium. Computer-readable media includes both computer storage media and communication media including any medium that facilitates transfer of a computer program from one place to another. A storage media may be any available media that can be accessed by a computer. By way of example, and not limitation, such computer-readable media can comprise RAM, ROM,

EEPROM, CD-ROM or other optical disk storage, magnetic disk storage or other magnetic storage devices, or any other medium that can be used to carry or store desired program code in the form of instructions or data structures and that can be accessed by a computer. Also, any connection is properly termed a computer-readable medium. For example, if the software is transmitted from a website, server, or other remote source using a coaxial cable, fiber optic cable, twisted pair, digital subscriber line (DSL), or wireless technologies such as infrared, radio, and microwave, then the coaxial cable, fiber optic cable, twisted pair, DSL, or wireless technologies such as infrared, radio, and microwave are included in the definition of medium. Disk and disc, as used herein, includes compact disc (CD), laser disc, optical disc, digital versatile disc (DVD), floppy disk and Blu-ray disc where disks usually reproduce data magnetically, while discs reproduce data optically with lasers. Combinations of the above should also be included within the scope of computer-readable media.

[00194] The previous description of the disclosed exemplary embodiments is provided to enable any person skilled in the art to make or use the present invention. Various modifications to these exemplary embodiments will be readily apparent to those skilled in the art, and the generic principles defined herein may be applied to other exemplary embodiments without departing from the spirit or scope of the invention. Thus, the present invention is not intended to be limited to the exemplary embodiments shown herein but is to be accorded the widest scope consistent with the principles and novel features disclosed herein.

CLAIMS:

1. A method for early termination of sequential frame transmissions over a communications channel, the method comprising:
 - continuously transmitting a first frame to a receiver;
 - receiving an acknowledgment message from the receiver during the transmitting the first frame; and
 - ceasing transmission of the first frame after receiving the acknowledgment message.
2. The method of claim 1, each frame allotted a fixed time interval for transmission, further comprising:
 - commencing transmission of a second frame after the fixed time interval has elapsed for the first frame, the second frame immediately following the first frame in frame sequence.
3. The method of claim 1, further comprising adjusting a transmit power of the first frame in response to receiving a power control message from the receiver.
4. The method of claim 1, each frame formatted into a plurality of sequential sub-segments, the continuously transmitting comprising:
 - continuously transmitting sub-segments of the first frame in sequence to the receiver.
5. The method of claim 1, each frame comprising fractionally encoded bits interleaved over time.
6. A method for early termination of sequential frame transmissions over a communications channel, the method comprising:
 - continuously receiving a first frame from a transmitter;
 - attempting to decode the first frame prior to receiving the entire first frame;

determining a successful frame decode based on a result of the attempting; and transmitting an acknowledgement message to the transmitter based on determining the successful frame decode, wherein the acknowledgement message is operable to cease transmission of the first frame.

7. The method of claim 6, each frame allotted a fixed time interval for transmission, further comprising:

commencing receiving a second frame after the fixed time interval has elapsed for the first frame, the second frame immediately following the first frame in frame sequence.

8. The method of claim 6, further comprising transmitting a power control message to the transmitter to adjust a transmit power of the first frame.

9. The method of claim 6, each frame formatted into a plurality of sequential sub-segments, the continuously receiving comprising:

continuously receiving sub-segments of the first frame in sequence from the transmitter.

10. The method of claim 6, wherein transmitting the acknowledgement message further comprises transmitting only at predetermined times.

11. The method of claim 10, wherein transmitting the acknowledgement message further comprises transmitting according to an acknowledgement mask.

12. The method of claim 11, the acknowledgment mask designating an interval having duration less than a complete sub-segment for transmitting the acknowledgment message.

13. The method of claim 12, further comprising receiving the acknowledgement mask from the transmitter.

14. The method of claim 6, the transmitting an acknowledgment message comprising:

applying a non-zero gain to an acknowledgment signal comprising a Walsh function associated with the acknowledgment message; and

combining the acknowledgment signal with a traffic signal for transmission.

15. The method of claim 6, the continuously received frame being received on a first channel, the transmitting the acknowledgment message being done on a first acknowledgment channel, the method further comprising:

continuously receiving a second frame on a second channel from the transmitter;

attempting to decode the second frame prior to receiving the entire second frame;

determining a successful frame decode based on a result of the attempting to decode the second frame; and

transmitting an acknowledgement message to the transmitter based on determining the successful frame decode for the second frame, wherein the acknowledgement message is operable to cease transmission of the second frame.

16. The method of claim 6, further comprising:

continuously receiving from a second transmitter a second continuously transmitted frame;

attempting to decode the second frame prior to receiving the entire second frame;

determining a successful decode of the second frame based on a result of the attempting;

transmitting an acknowledgment message to the second transmitter based on determining the successful decode of the second frame, wherein the acknowledgment message is operable to terminate transmission of a remaining portion of the second frame, the transmitting the acknowledgment message to the transmitter comprising modulating at least one bit on a common acknowledgment channel, the transmitting the acknowledgment message to the second transmitter comprising modulating at least one other bit on the same common acknowledgment channel.

17. The method of claim 16, further comprising spreading the common acknowledgment channel using a single Walsh function.

18. The method of claim 16, the at least one bit corresponding to the acknowledgment message transmitted to the transmitter being time multiplexed on the same common acknowledgment channel with the at least one other bit corresponding to the acknowledgment message transmitted to the second transmitter.

19. The method of claim 6, the transmitting an acknowledgment message comprising modulating a signal on a distinct Walsh code using on-off keying.

20. The method of claim 6, the transmitting an acknowledgment message comprising modulating at least one ACK bit of a traffic channel, the at least one ACK bit supplanting at least one traffic bit on the traffic channel.

21. The method of claim 20, the position of the ACK bit in the traffic channel varied on a per-frame basis.

22. An apparatus for early termination of sequential frame transmissions over a communications channel, the apparatus comprising:

a transmitter configured to continuously transmit a first frame to a receiver;

a receiver module configured to receive an acknowledgment message from the receiver during the transmitting the first frame; and

the transmitter configured to cease transmission of the first frame after receiving the acknowledgment message.

23. The apparatus of claim 22, each frame allotted a fixed time interval for transmission, the transmitter further configured to commence transmission of a second frame after the fixed time interval has elapsed for the first frame, the second frame immediately following the first frame in frame sequence.

24. The apparatus of claim 22, the transmitter further configured to adjust a transmit power of the first frame in response to receiving a power control message from the receiver.

25. The apparatus of claim 22, each frame formatted into a plurality of sequential sub-segments, the transmitter configured to continuously transmit by:

continuously transmitting sub-segments of the first frame in sequence to the receiver.

26. The apparatus of claim 22, each frame comprising fractionally encoded bits interleaved over time.

27. An apparatus for early termination of sequential frame transmissions over a communications channel, the apparatus comprising:

a receiver configured to continuously receive a first frame from a transmitter;

a processor configured to:

attempt to decode the first frame prior to receiving the entire first frame;

determine a successful frame decode based on a result of the attempting;

and

a transmitter module configured to transmit an acknowledgement message to the transmitter based on determining the successful frame decode, wherein the acknowledgement message is operable to cease transmission of the first frame.

28. The apparatus of claim 27, each frame allotted a fixed time interval for transmission, the processor further configured to:

commence receiving a second frame after the fixed time interval has elapsed for the first frame, the second frame immediately following the first frame in frame sequence.

29. The apparatus of claim 27, the transmitter module further configured to transmit a power control message to the transmitter to adjust a transmit power of the first frame.

30. The apparatus of claim 27, each frame formatted into a plurality of sequential sub-segments, the receiver configured to continuously receive by:

continuously receiving sub-segments of the first frame in sequence from the transmitter.

31. The apparatus of claim 30, the transmitter module further configured to transmit the acknowledgement message only at predetermined times.

32. The apparatus of claim 31, the transmitter module further configured to transmit the acknowledgment message according to an acknowledgement mask.

33. The apparatus of claim 32, the acknowledgment mask designating an interval having duration less than a complete sub-segment for transmitting the acknowledgment message.

34. The apparatus of claim 32, the receiver further configured to receive the acknowledgement mask from the transmitter.

35. The apparatus of claim 32, the transmitter module configured to transmit the acknowledgment message by:

applying a non-zero gain to an acknowledgment signal comprising a Walsh function associated with the acknowledgment message; and

combining the acknowledgment signal with a traffic signal for transmission.

36. The apparatus of claim 27, the continuously received frame being received on a first channel, the transmitter module further configured to transmit the acknowledgment message on a first acknowledgment channel, the receiver further configured to continuously receive a second frame on a second channel from the transmitter; the processor further configured to attempt to decode the second frame prior to receiving the entire second frame, the processor further configured to determine a successful frame decode based on a result of the attempting to decode the second frame; and the transmitter module further configured to transmit an acknowledgement message to the

transmitter based on determining the successful frame decode for the second frame, wherein the acknowledgement message is operable to cease transmission of the second frame.

37. The apparatus of claim 27, the receiver further configured to continuously receive from a second transmitter a second continuously transmitted frame; the processor further configured to attempt to decode the second frame prior to receiving the entire second frame; the processor further configured to determine a successful decode of the second frame based on a result of the attempting; the transmitter module further configured to transmit an acknowledgment message to the second transmitter based on determining the successful decode of the second frame, wherein the acknowledgment message is operable to terminate transmission of a remaining portion of the second frame, the transmitter module further configured to transmit the acknowledgment message to the transmitter by modulating at least one bit on a common acknowledgment channel, the transmitter module further configured to transmit the acknowledgment message to the second transmitter by modulating at least one other bit on the same common acknowledgment channel.

38. The apparatus of claim 37, the transmitter module further configured to spread the common acknowledgment channel using a single Walsh function.

39. The apparatus of claim 37, the at least one bit corresponding to the acknowledgment message transmitted to the transmitter being time multiplexed on the same common acknowledgment channel with the at least one other bit corresponding to the acknowledgment message transmitted to the second transmitter.

40. The apparatus of claim 27, the transmitter module further configured to transmit an acknowledgment message by modulating a signal on a distinct Walsh code using on-off keying.

41. The apparatus of claim 27, the transmitter module further configured to transmit an acknowledgment message by modulating at least one ACK bit of a traffic channel, the at least one ACK bit supplanting at least one traffic bit on the traffic channel.

42. The apparatus of claim 41, the position of the ACK bit in the traffic channel varied on a per-frame basis.

43. An apparatus for early termination of frame transmissions over a communications channel, the apparatus comprising:

means for receiving from a transmitter a continuously transmitted frame;

means for terminating transmissions of the transmitter prior to receiving the entire frame.

44. An apparatus for early termination of frame transmissions over a communications channel, the apparatus comprising:

means for continuously transmitting a first frame;

means for terminating the continuously transmitting based on a successful decode of the at least one transmitted sub-segment by a receiver.

45. A computer-readable storage medium storing instructions for causing a computer to perform early termination of frame transmissions over a communications channel, the medium storing instructions for causing a computer to:

receive from a transmitter a continuously transmitted frame;

attempt to decode the frame prior to receiving the entire continuously transmitted frame;

determine a successful frame decode based on a result of the attempting; and

transmit an acknowledgement message to the transmitter based on determining the successful frame decode, wherein the acknowledgement message is operable to terminate transmission of a remaining portion of the continuously transmitted frame.

46. A computer-readable storage medium storing instructions for causing a computer to perform for early termination of frame transmissions over a communications channel,

each frame being allotted a fixed time interval for transmission, the medium storing instructions for causing a computer to:

- continuously transmit a first frame;
- receive an acknowledgment message from a receiver during the transmitting the first frame;
- cease transmission of the first frame after receiving the acknowledgment message; and
- start to transmit a second frame after the fixed time interval has elapsed for the first frame.

47. A method for early termination of sequential frame transmissions over a communications channel, the method comprising:

- continuously transmitting a first frame to at least one receiver;
- receiving at least one acknowledgment message from the at least one receiver during the transmitting the first frame; and
- ceasing transmission of the first frame after receiving the first of the at least one acknowledgment message.

48. The method of claim 47, the at least one receiver comprising a first receiver and a second receiver, the receiving the at least one acknowledgment message from the at least one receiver comprising receiving an acknowledgment message from the first receiver and an acknowledgment message from the second receiver.

49. A method for early termination of sequential frame transmissions over a communications channel, the method comprising:

- continuously receiving a first frame from at least one transmitter;
- attempting to decode the first frame prior to receiving the entire first frame;
- determining a successful frame decode based on a result of the attempting; and
- transmitting an acknowledgement message based on determining the successful frame decode, wherein the acknowledgement message is operable to cease transmission of the first frame by each of the at least one transmitter.

50. The method of claim 49, the at least one transmitter comprising a first transmitter and a second transmitter, the transmitting the acknowledgment message comprising transmitting the acknowledgment message to both the first transmitter and the second transmitter.

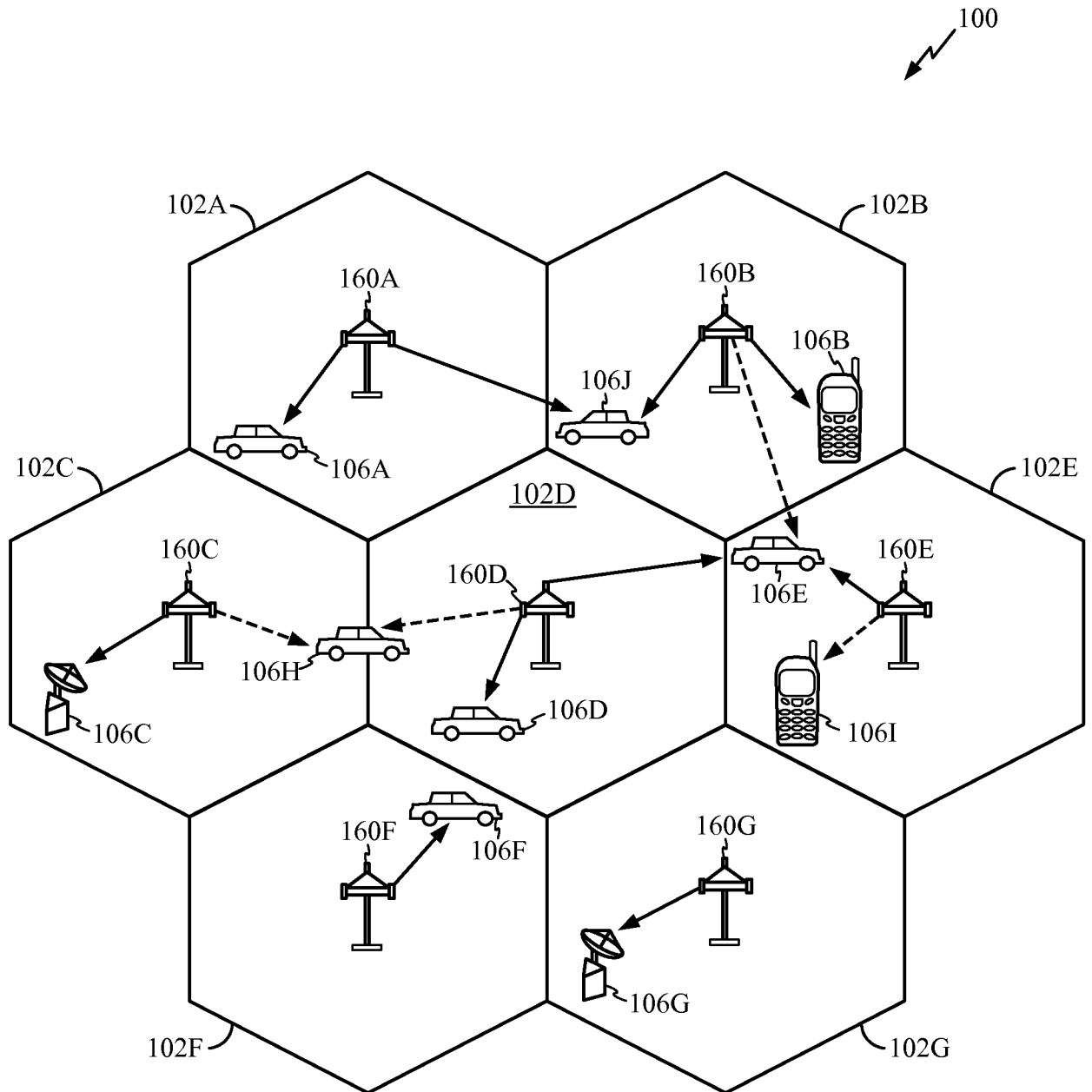
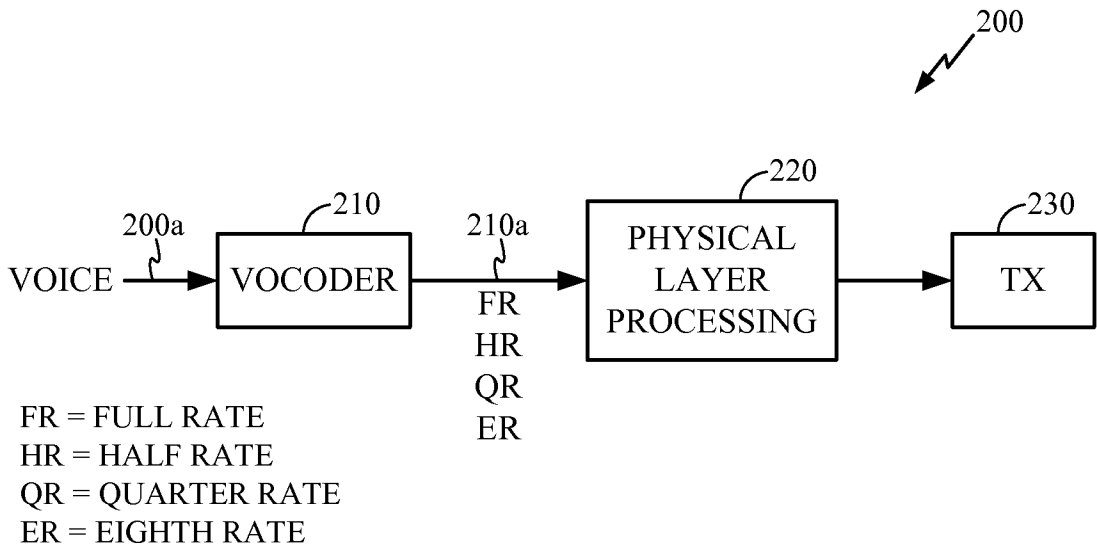


FIG 1



(PRIOR ART)
FIG 2

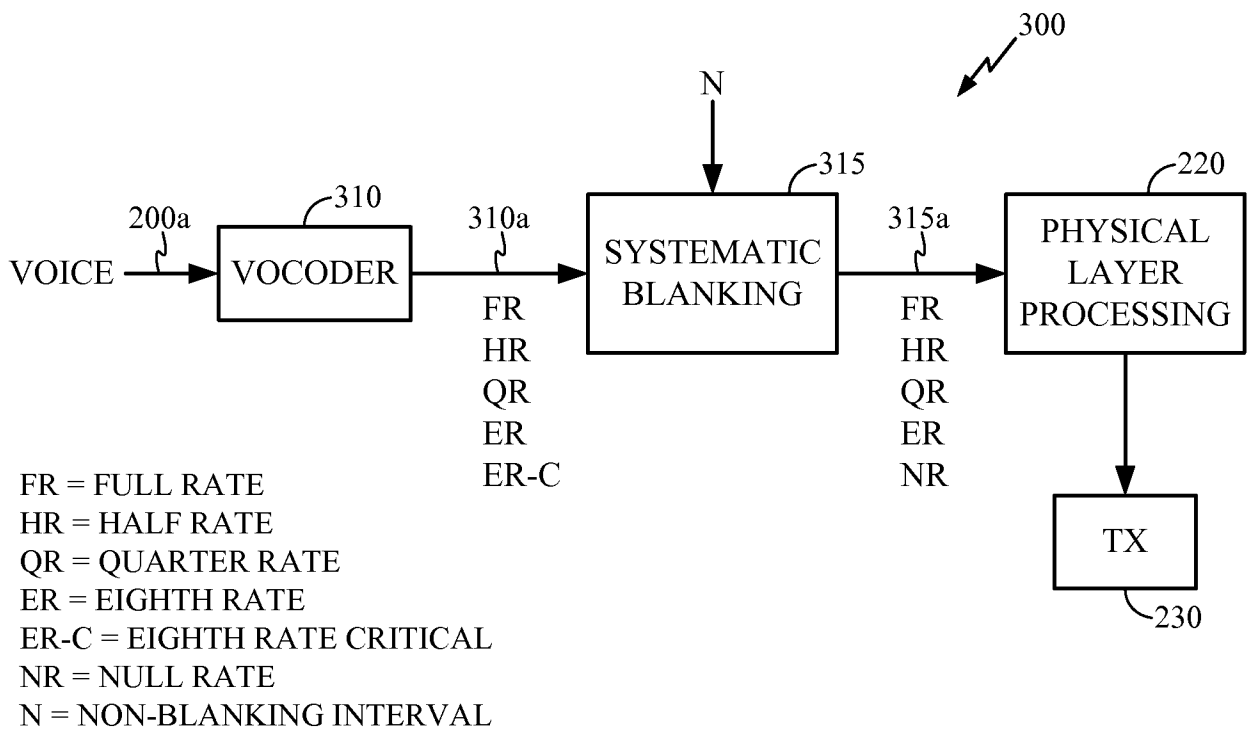


FIG 3

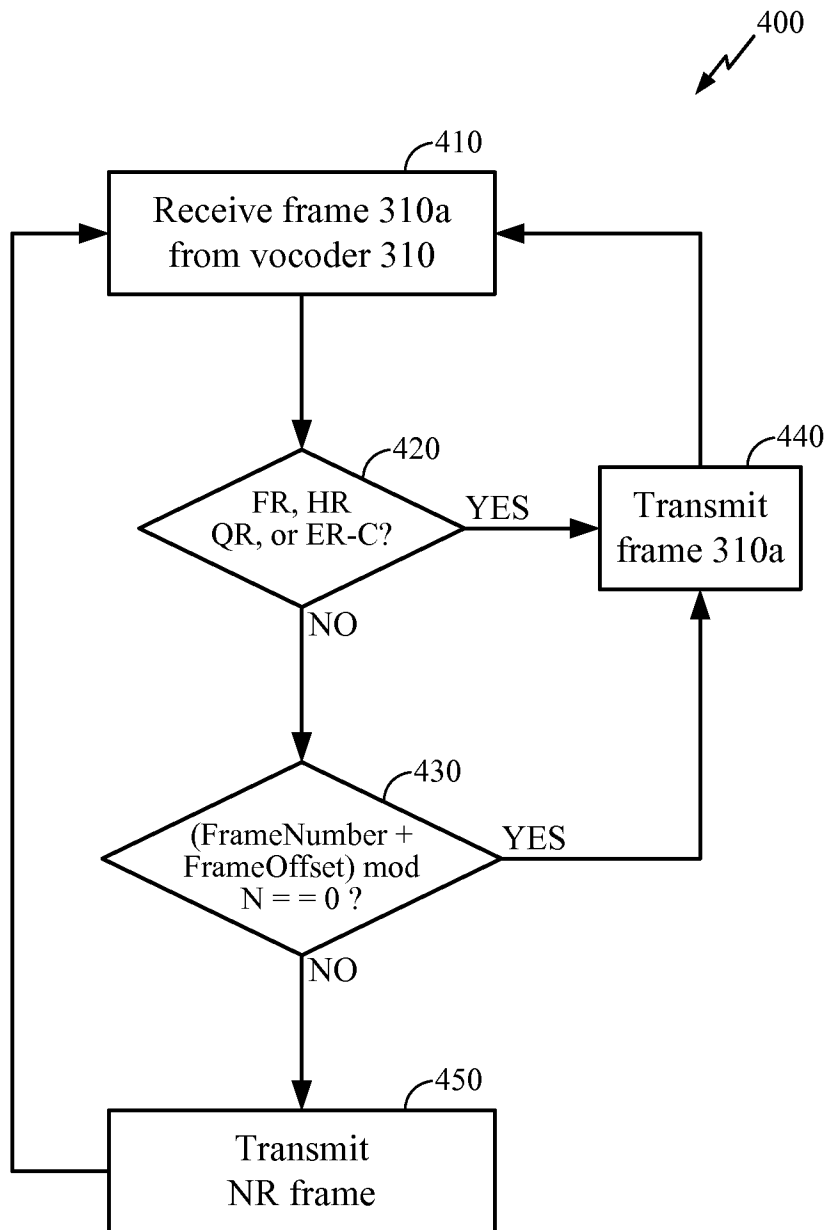


FIG 4

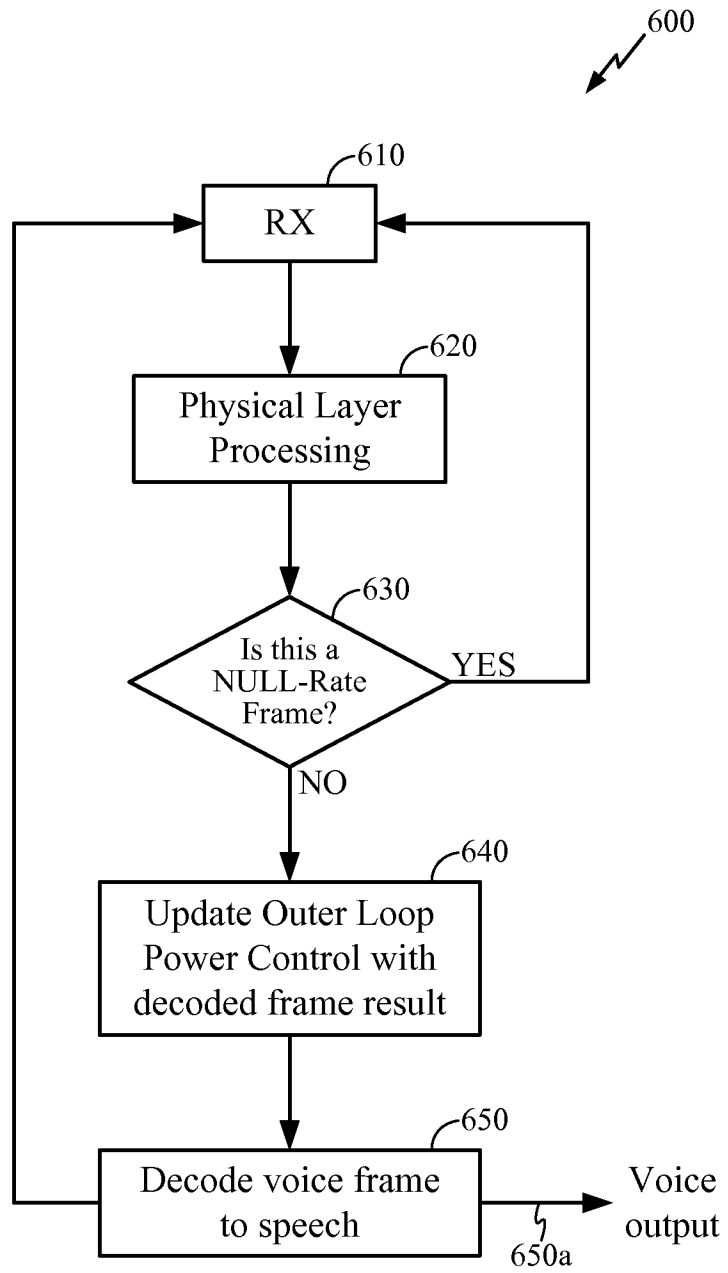


FIG 6

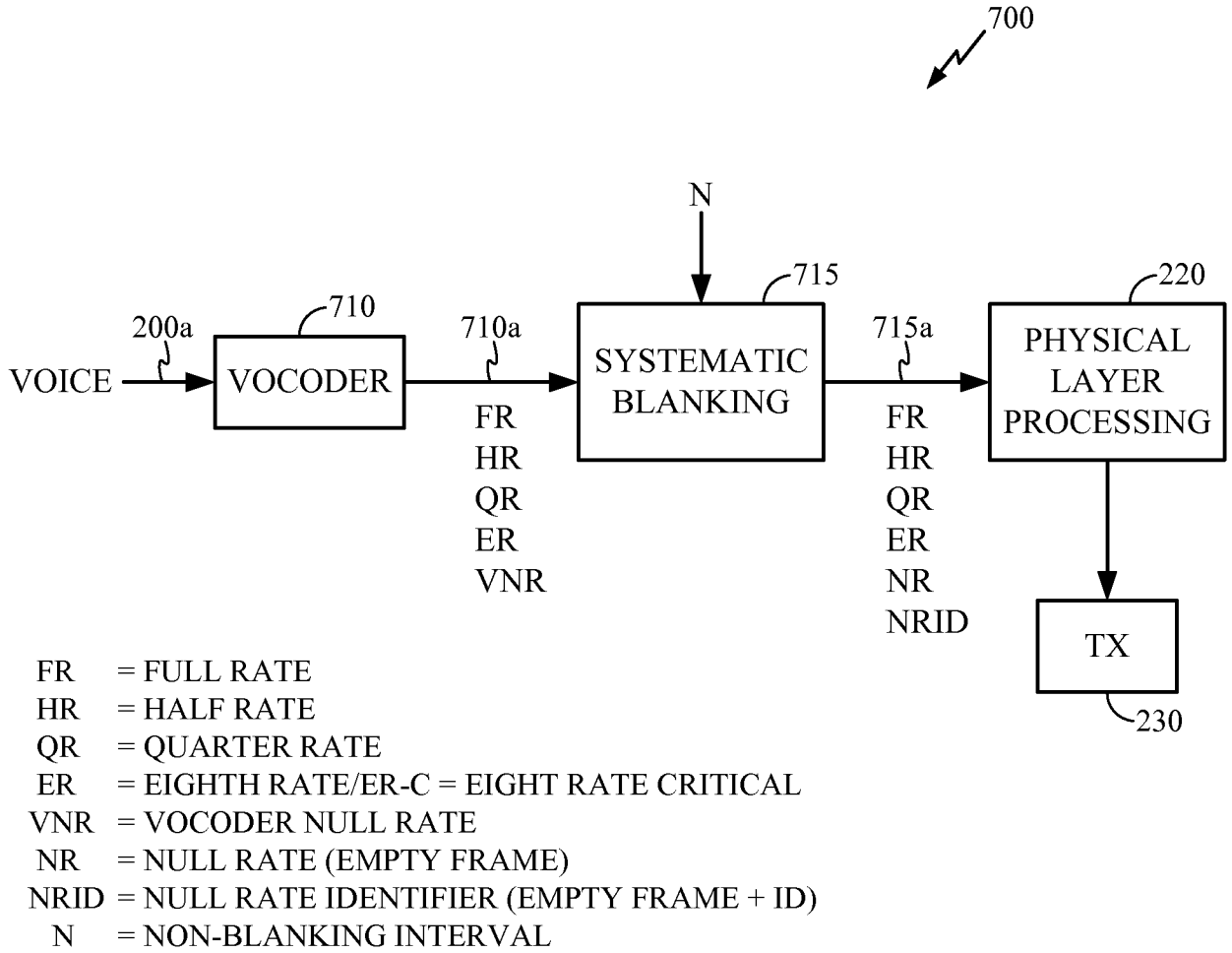


FIG 7

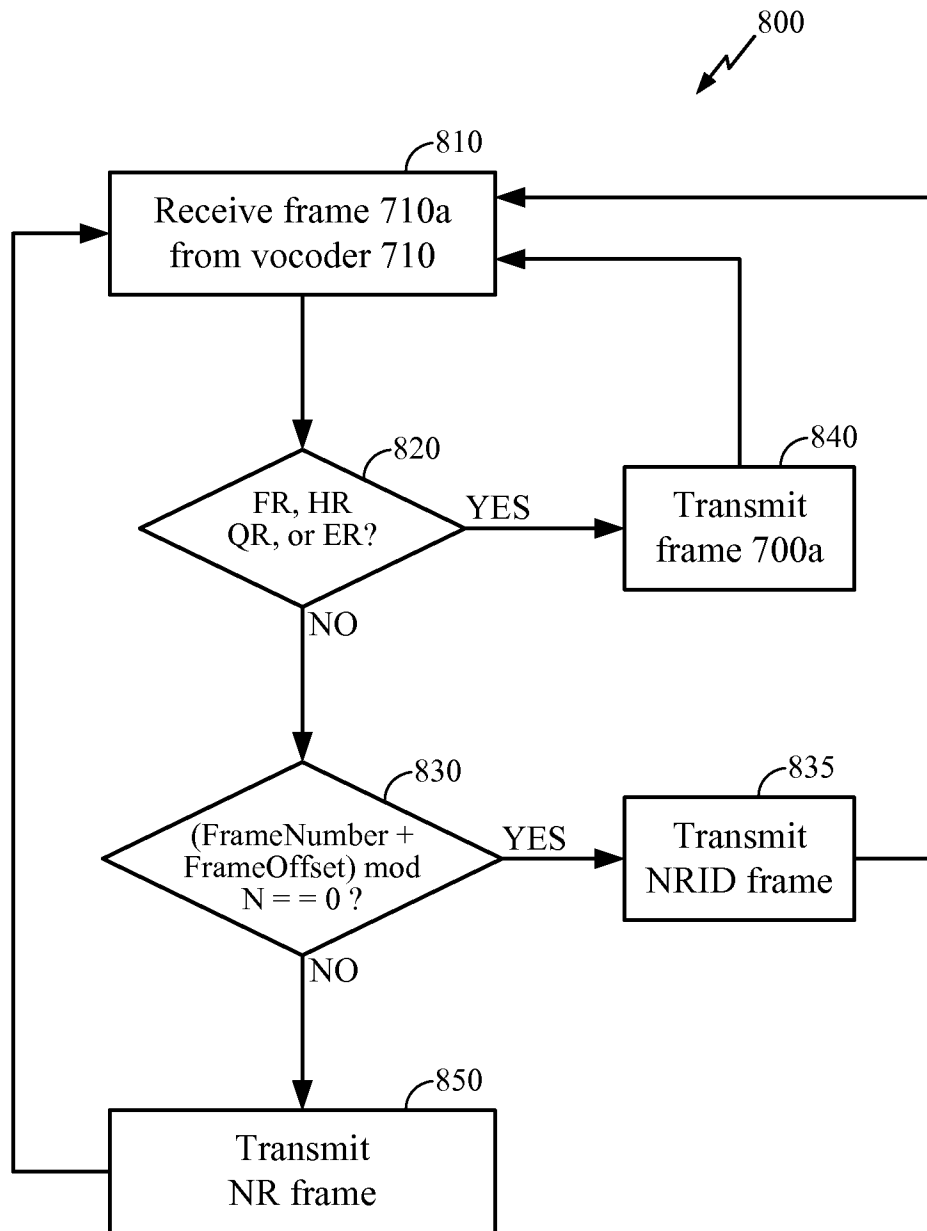


FIG 8

9/26

1000

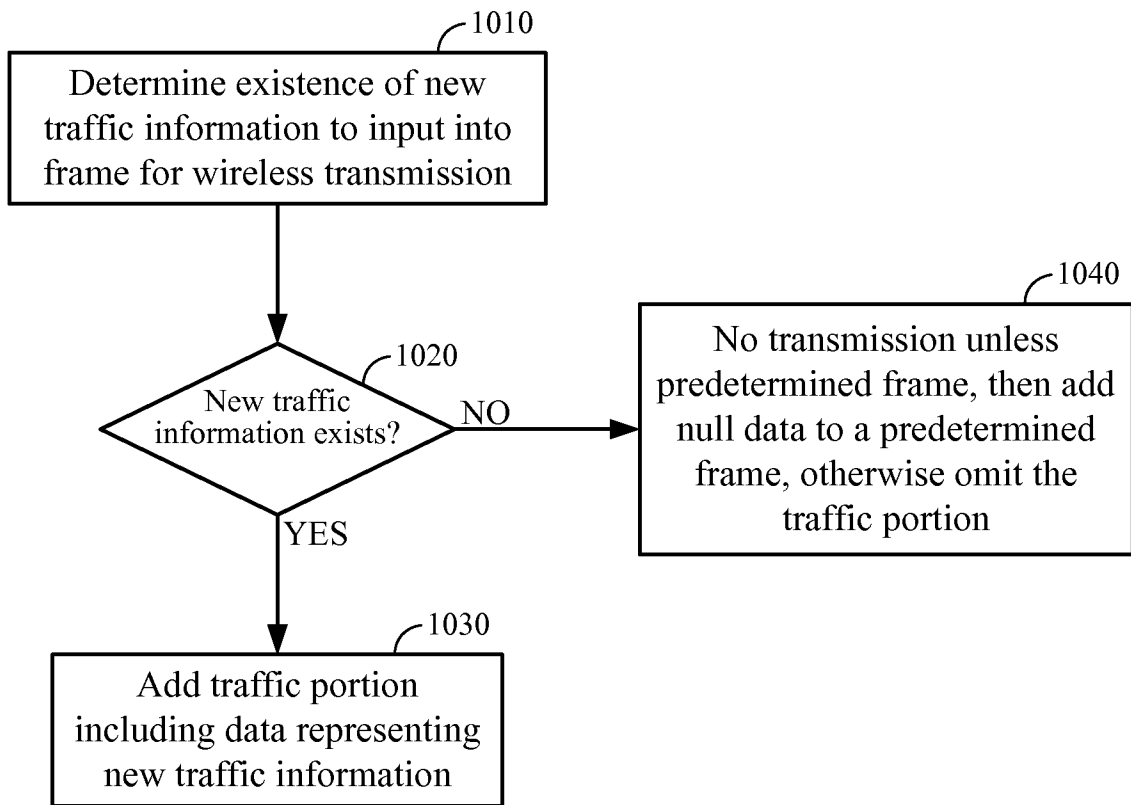
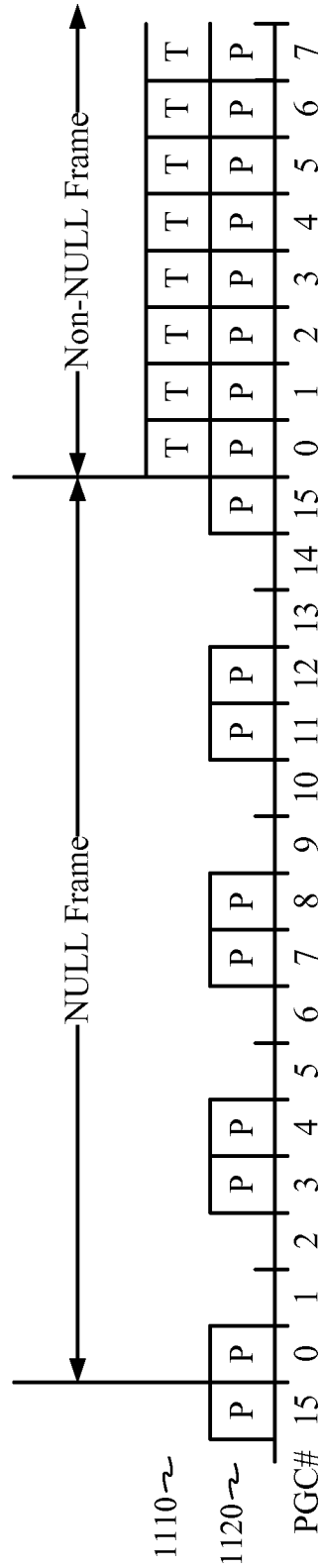


FIG 10

10/26

1100 ↘



P = PILOT
T = TRAFFIC

FIG 11

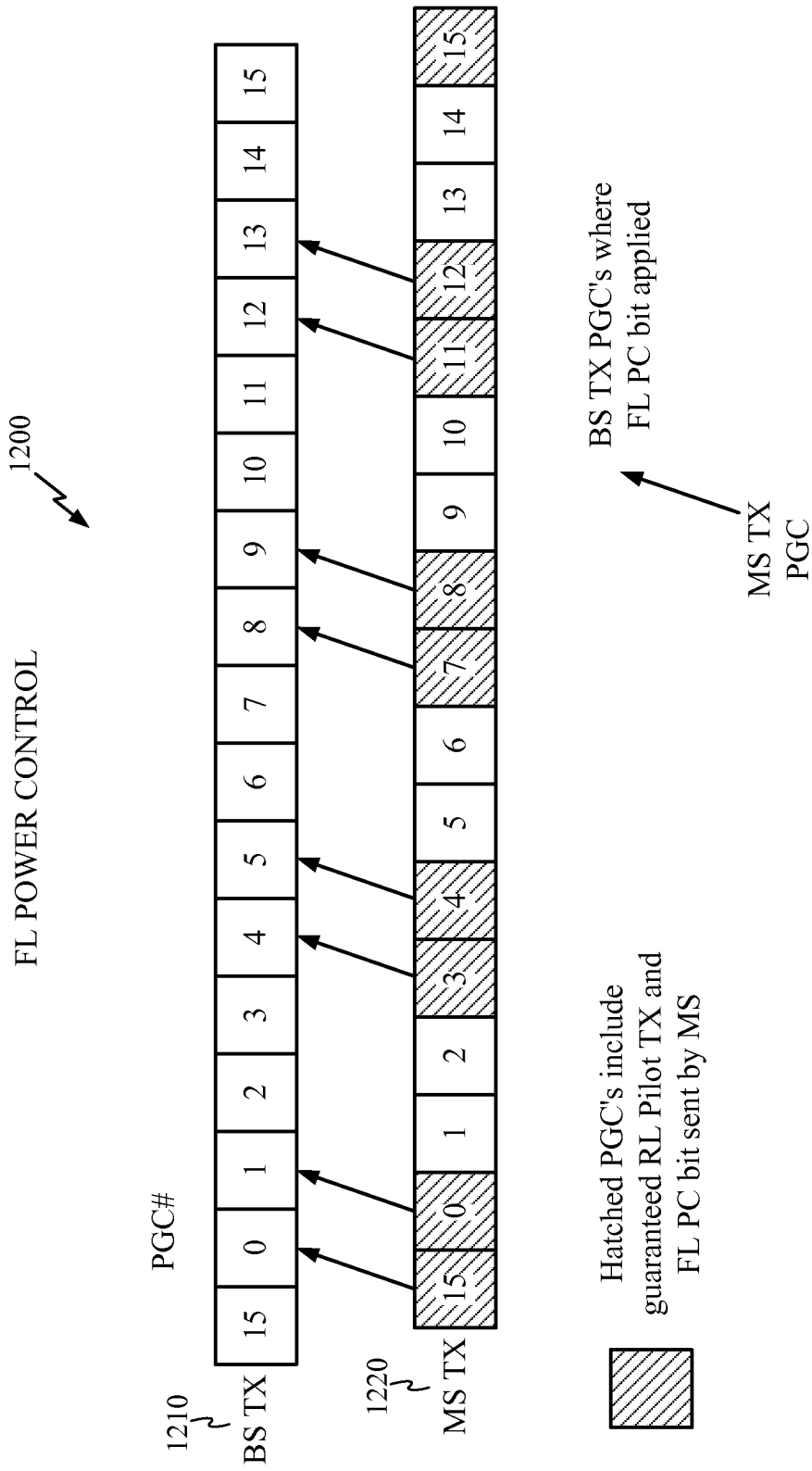


FIG 12

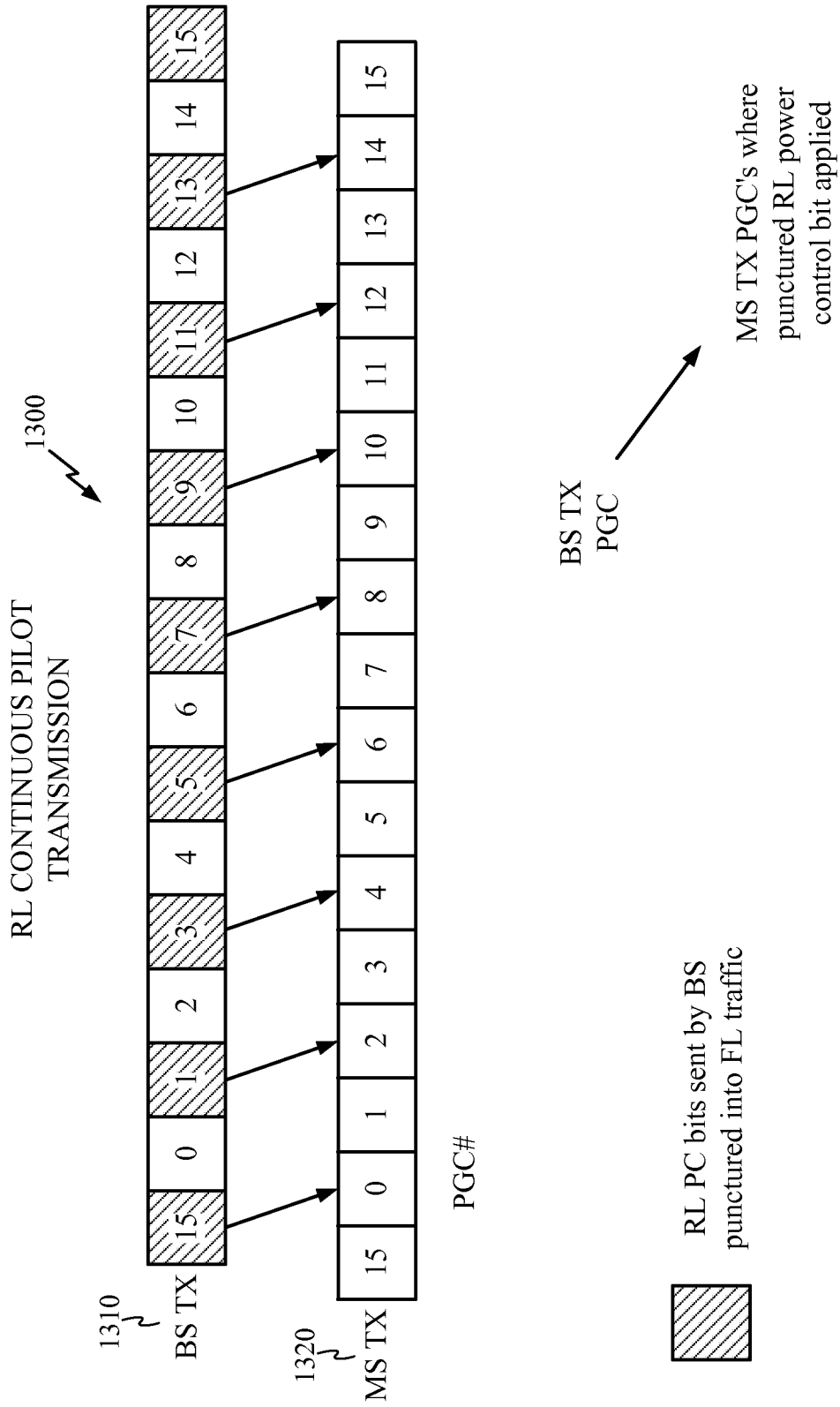


FIG 13

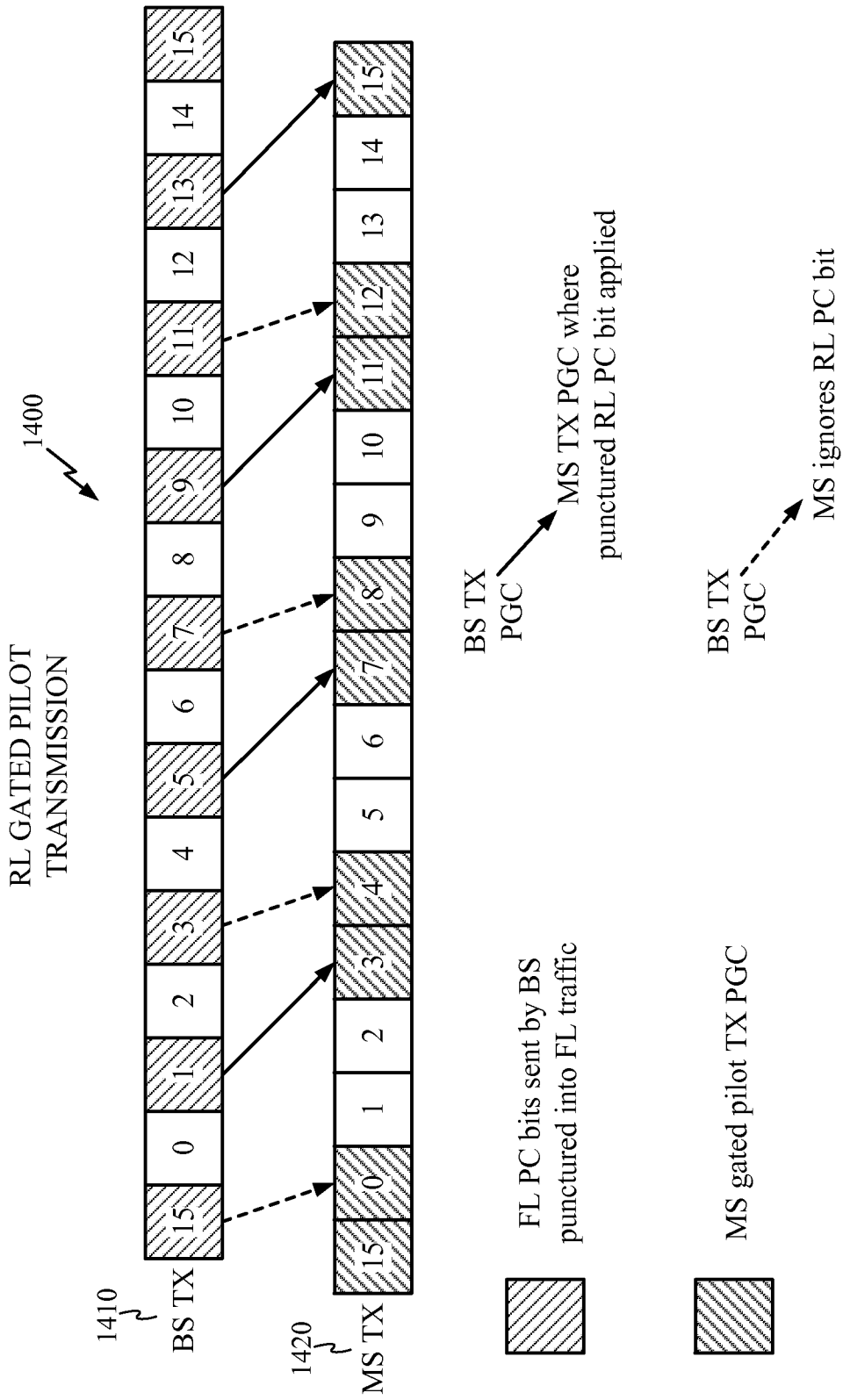


FIG 14

14/26

1500

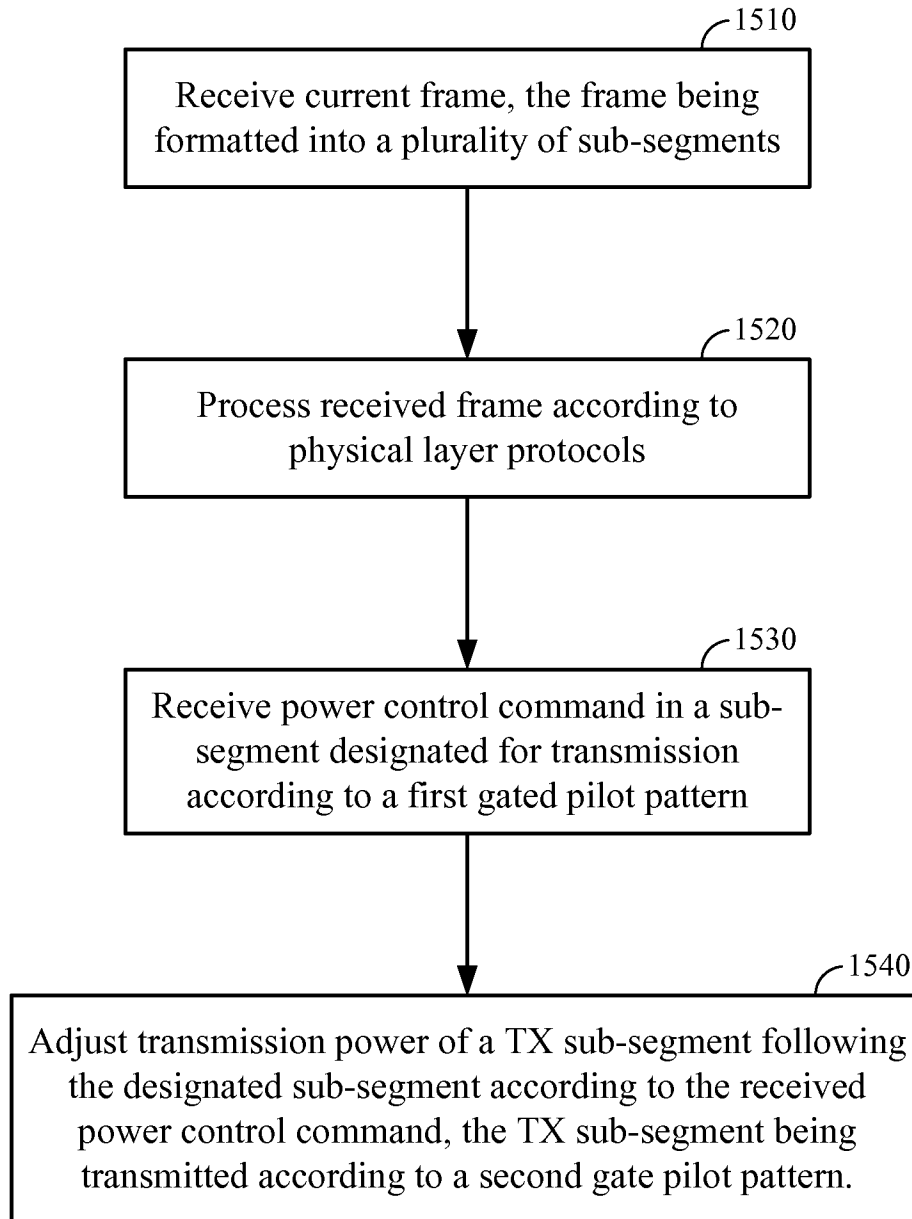
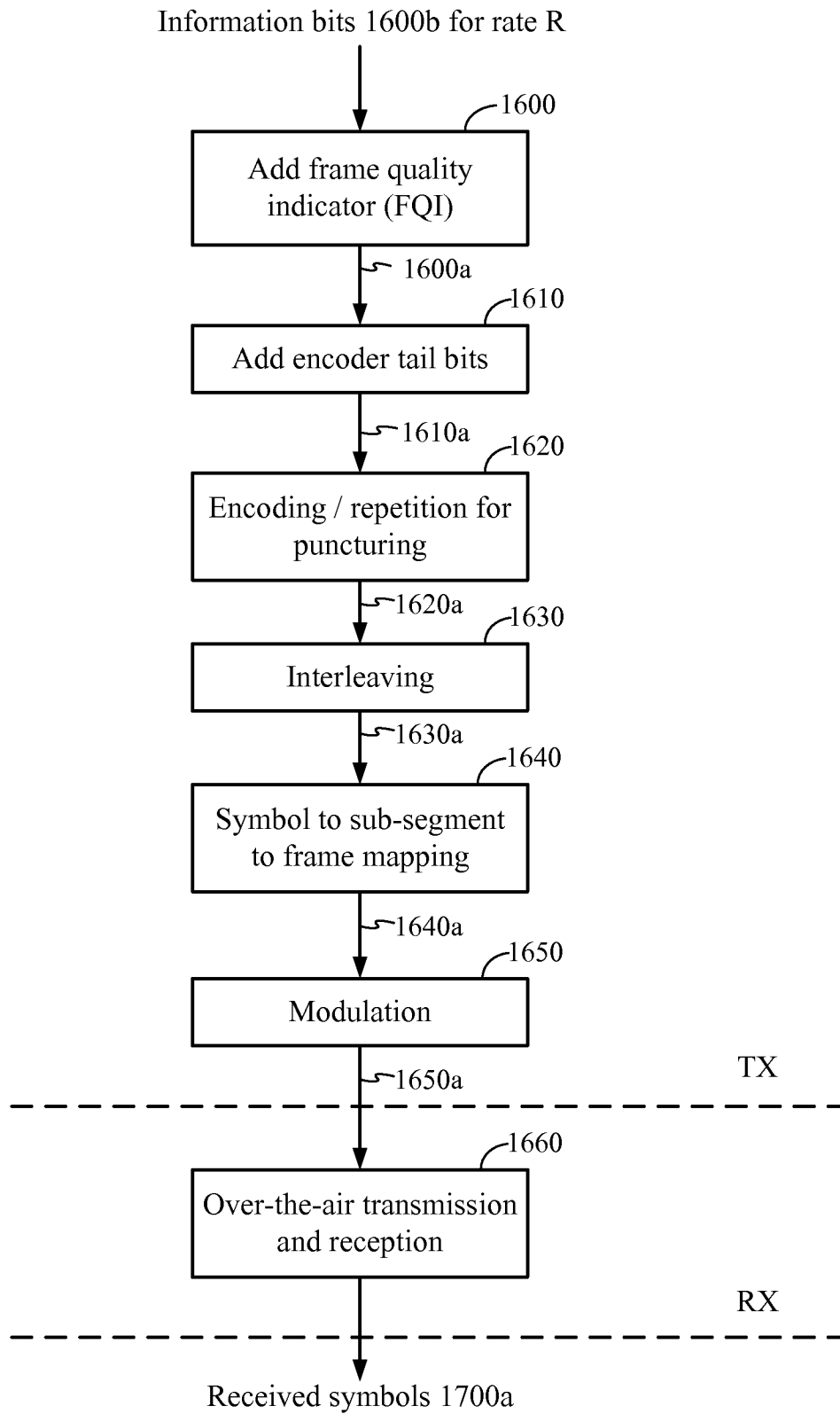
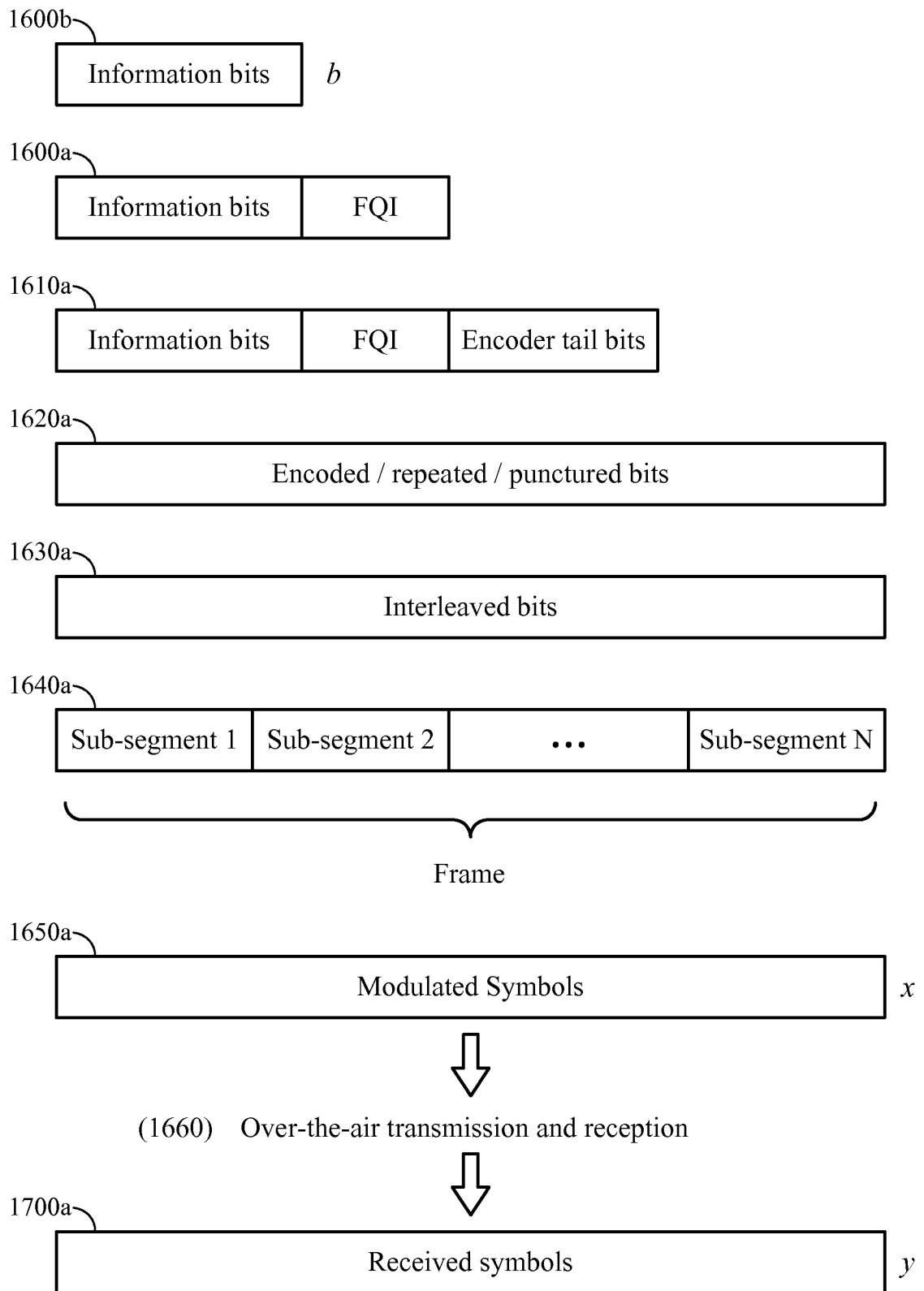


FIG 15

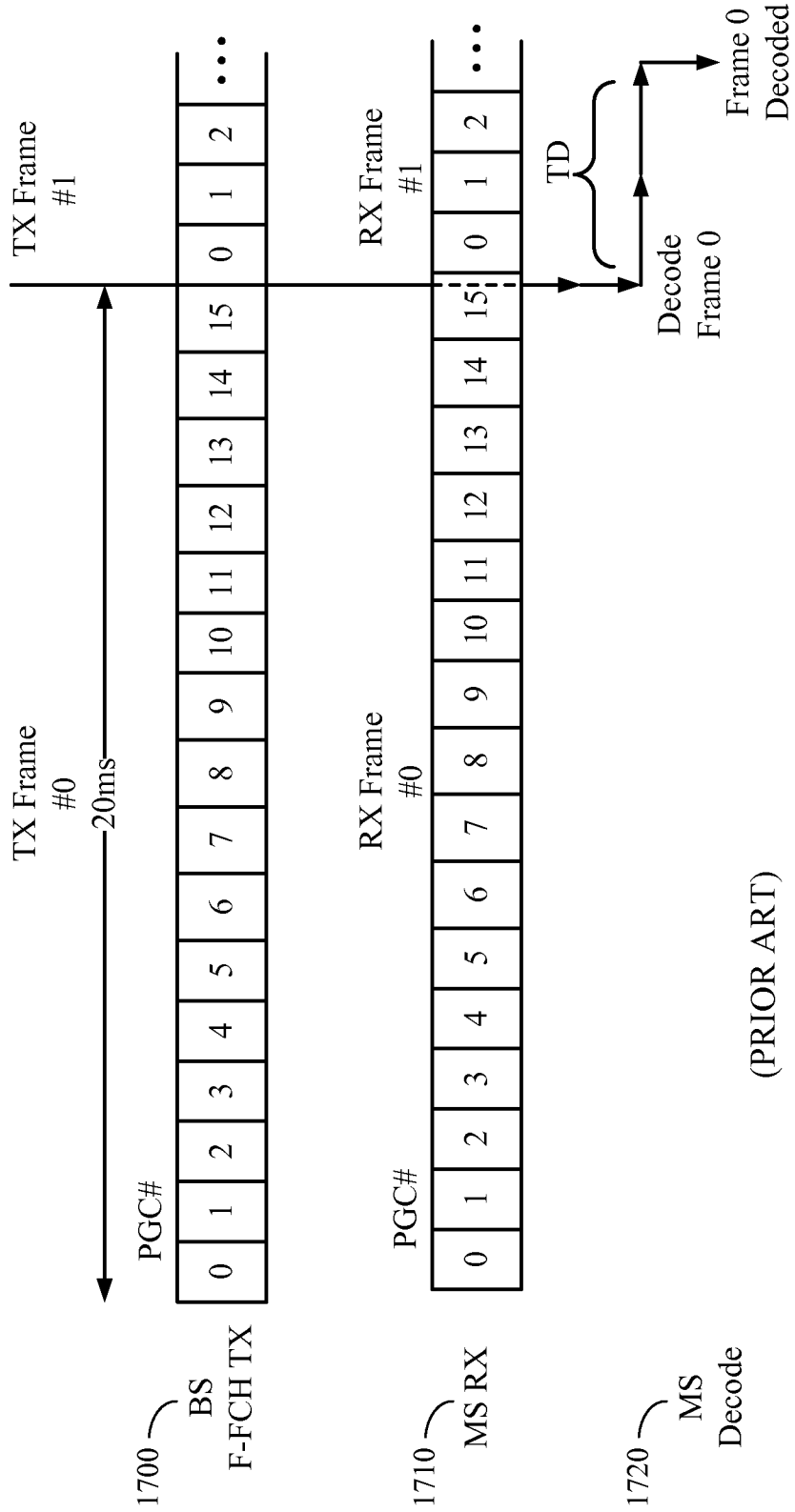


(PRIOR ART)

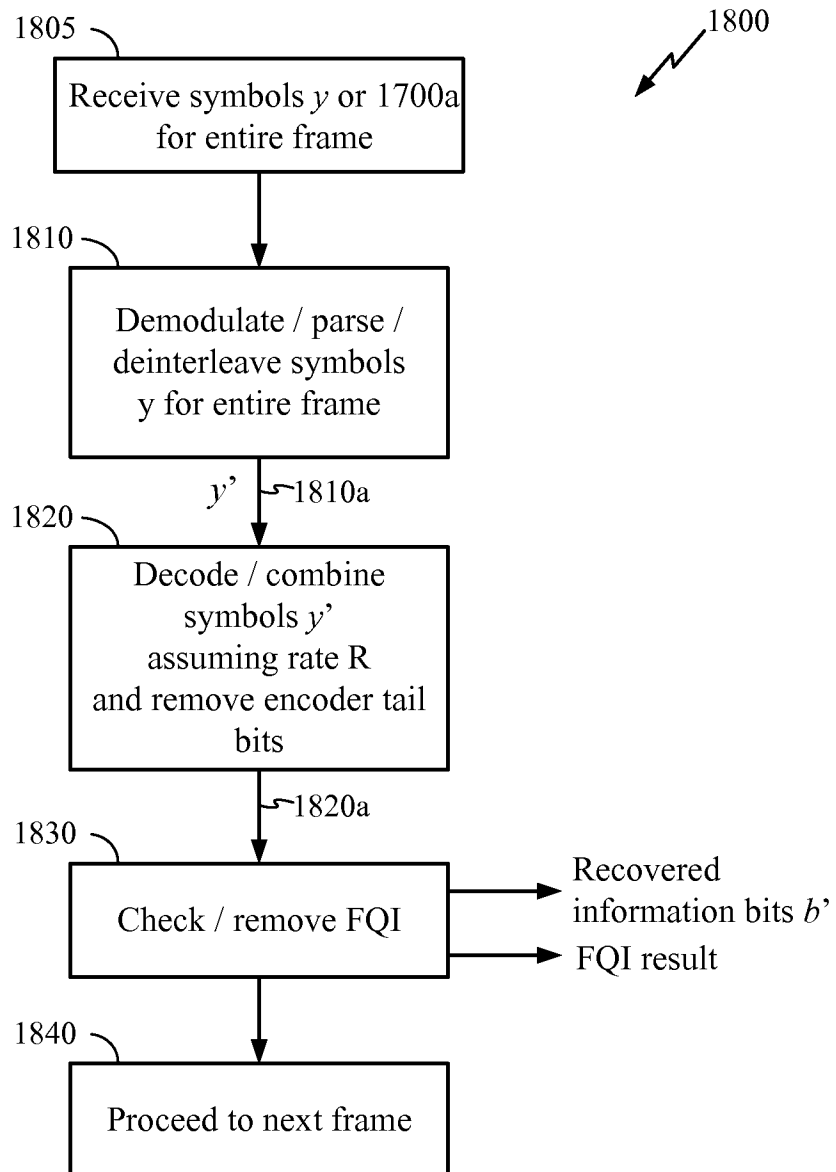
FIG 16



(PRIOR ART)
FIG 16A



(PRIOR ART)
FIG 17



(PRIOR ART)
FIG 18

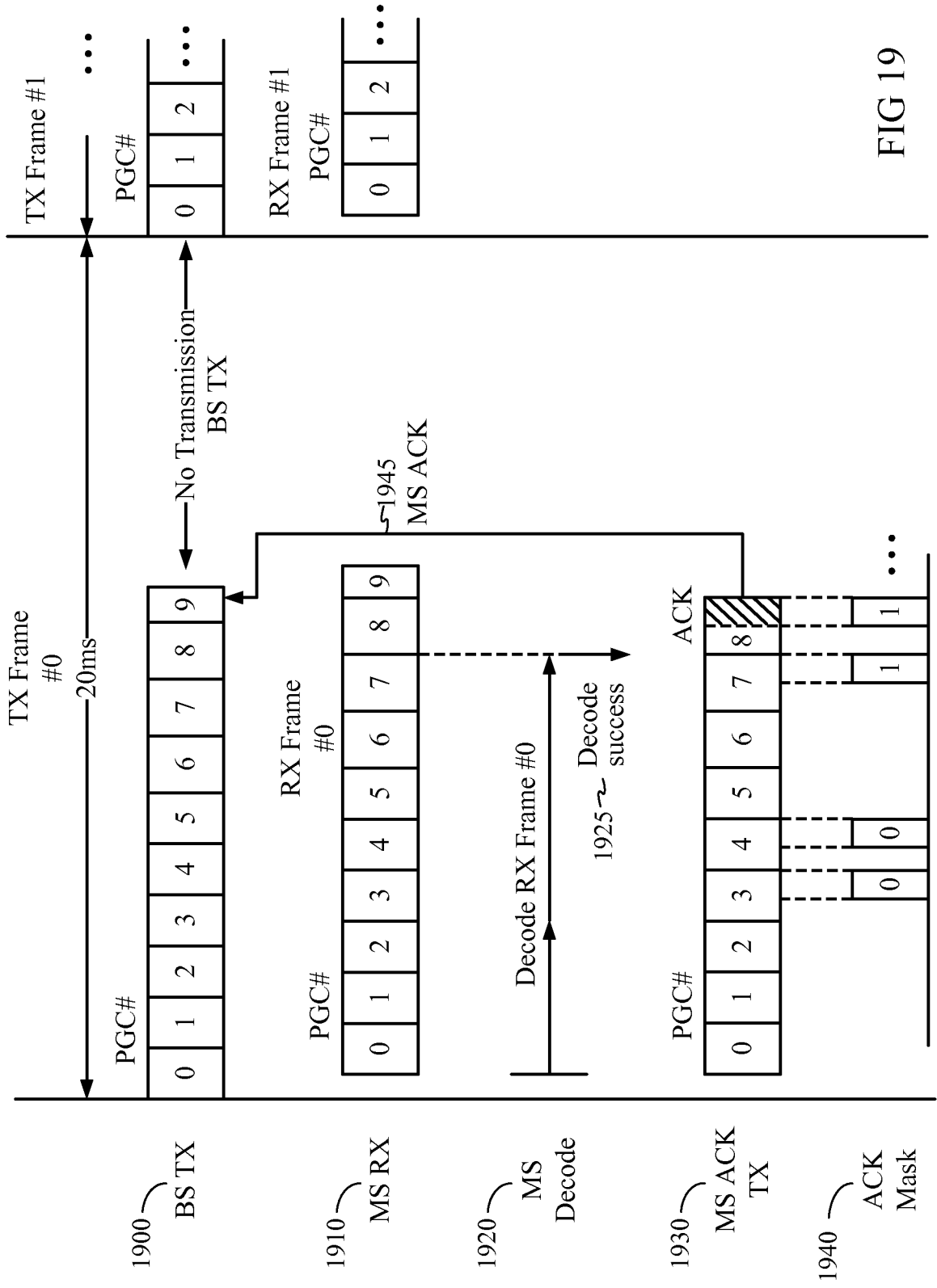


FIG 19

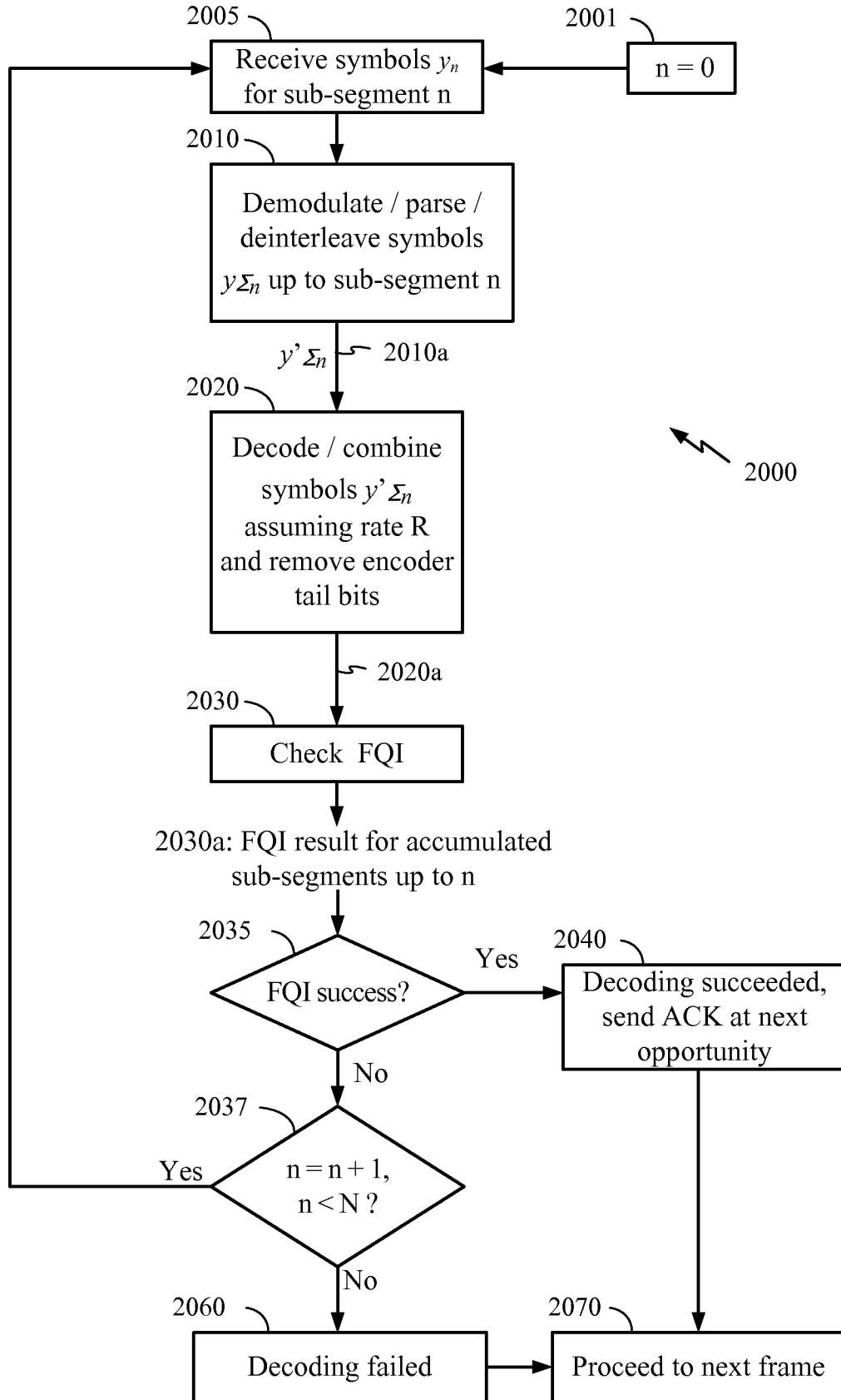


FIG 20

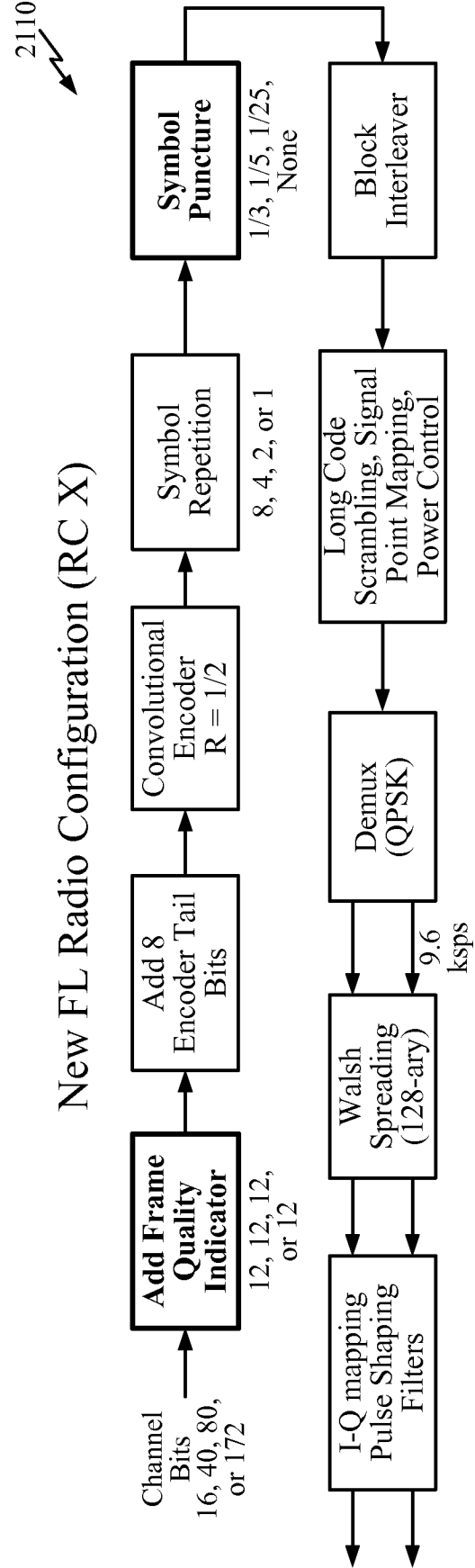
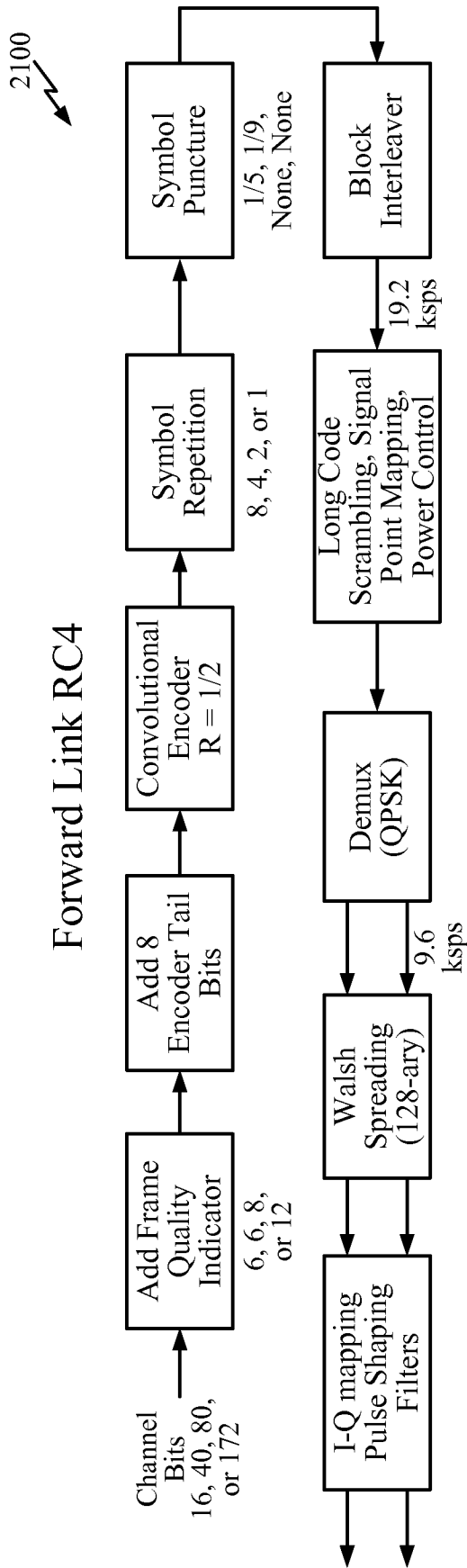


FIG 21

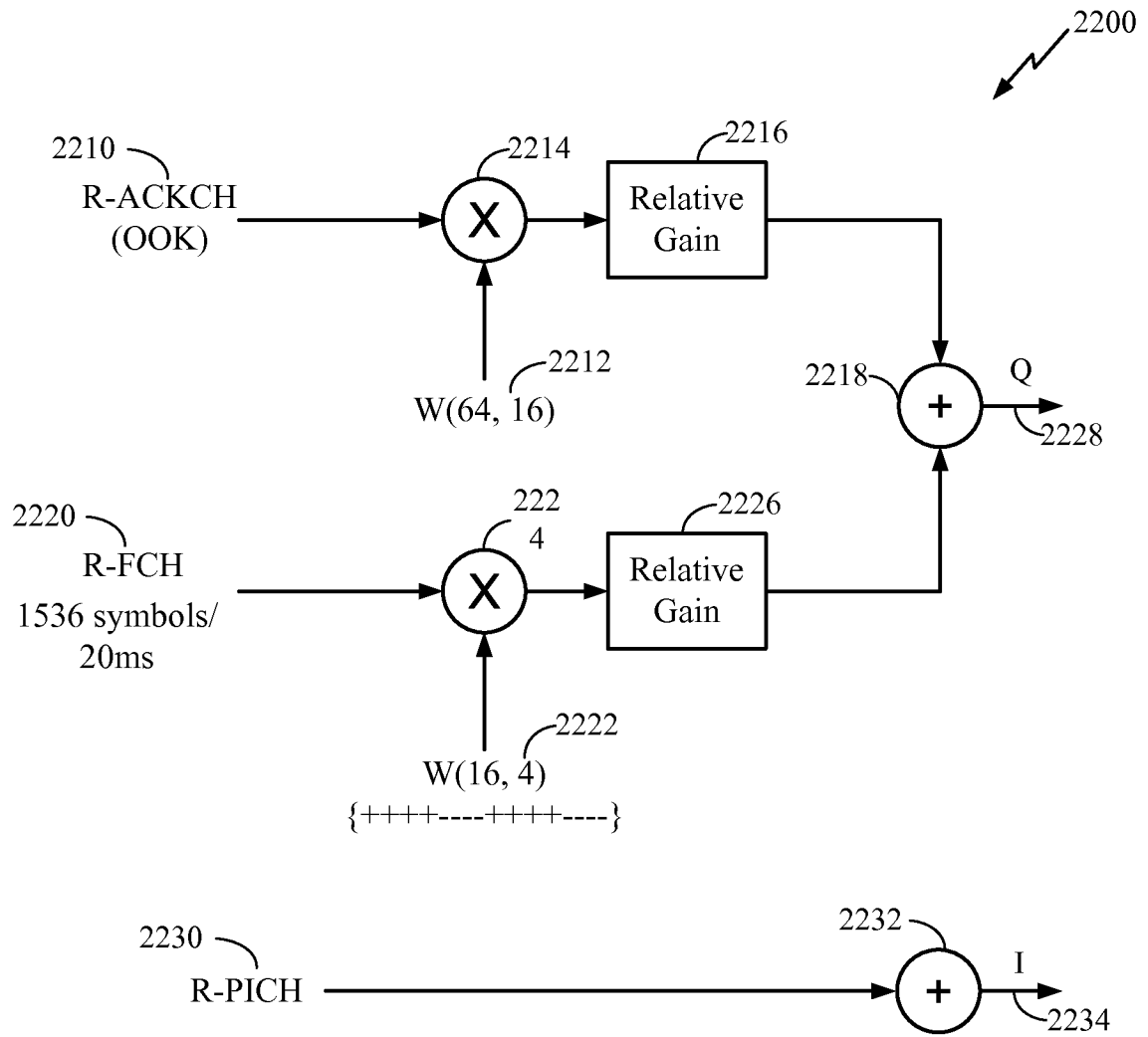


FIG 22

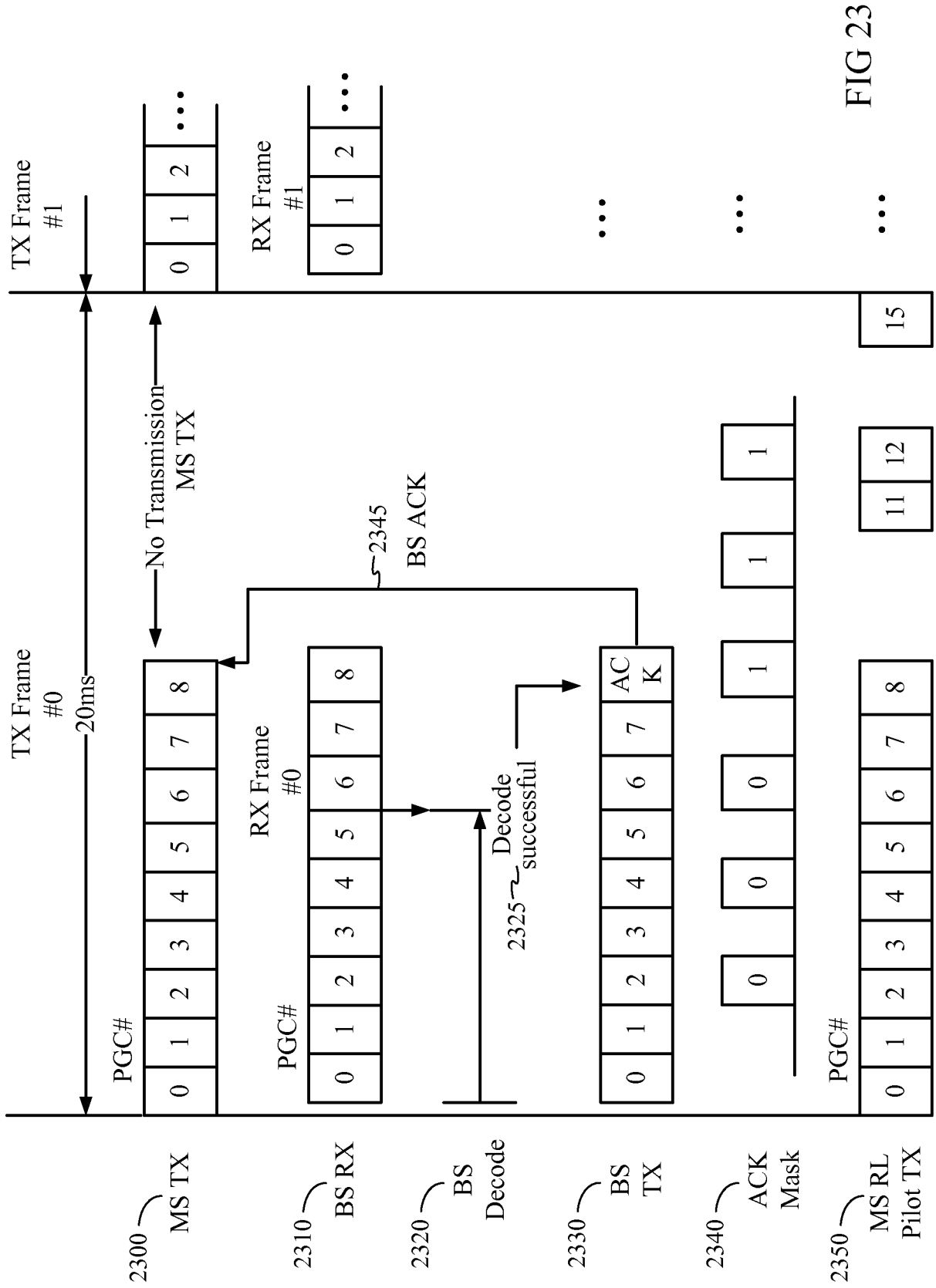


FIG 23

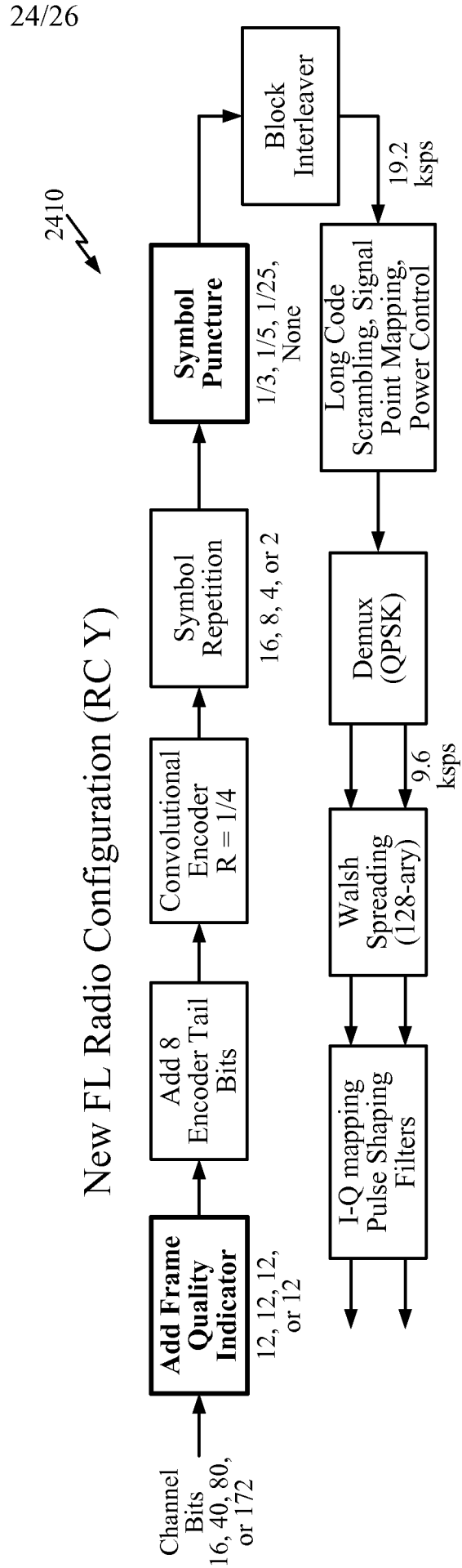
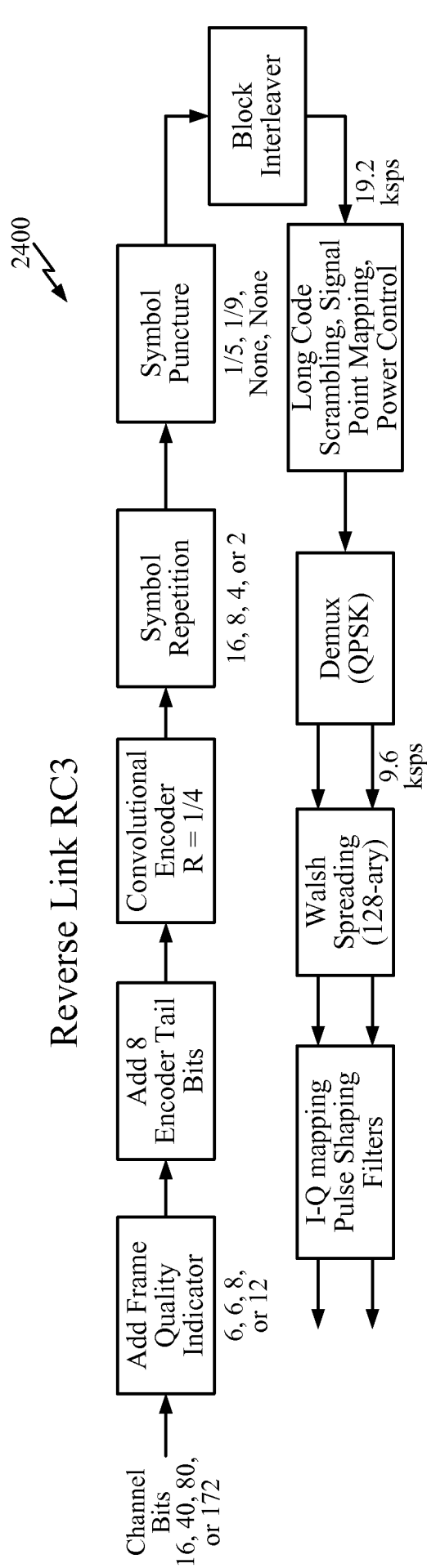


FIG 24

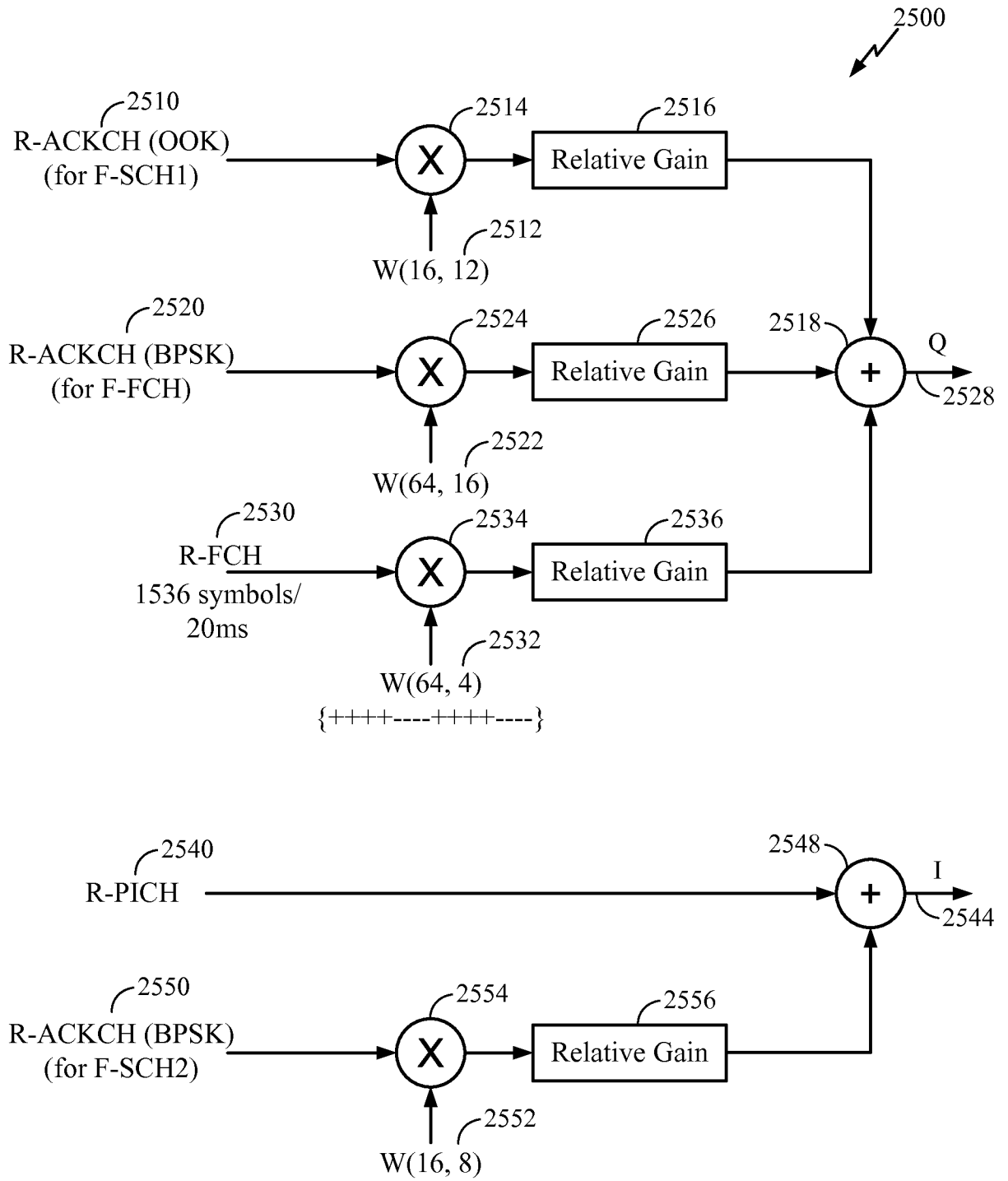


FIG 25

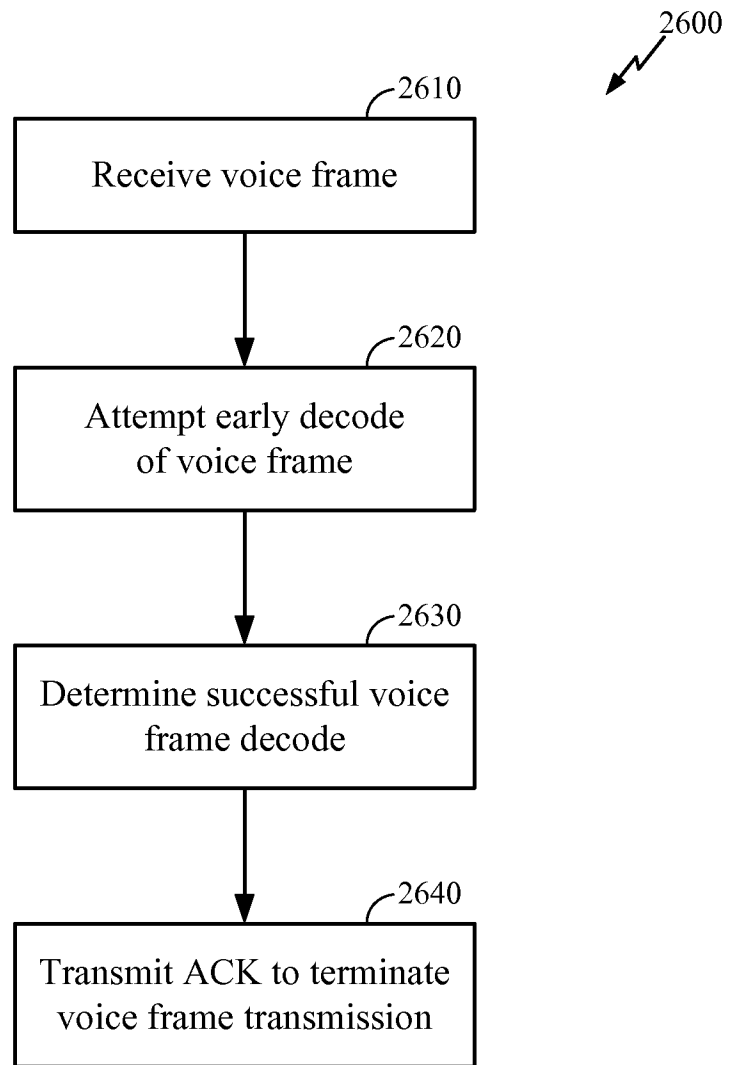


FIG 26