



US0D1073243S

(12) **United States Design Patent**  
**Snelleman**

(10) **Patent No.:** **US D1,073,243 S**

(45) **Date of Patent:** **\*\* Apr. 29, 2025**

(54) **BRIDGE**  
(71) Applicant: **Worxsafe AB**, Östersund (SE)  
(72) Inventor: **Isaac Snelleman**, Östersund (SE)  
(73) Assignee: **Worxsafe AB**, Östersund (SE)

5,396,739 A \* 3/1995 Venegas, Jr. .... E01F 13/022  
D25/38.1  
6,421,863 B1 \* 7/2002 Tiffany ..... E01D 19/005  
14/2.4  
D595,920 S \* 7/2009 Lederhause ..... D34/32  
D617,972 S \* 6/2010 Lucht ..... D34/32

(Continued)

(\*\*) Term: **15 Years**

**FOREIGN PATENT DOCUMENTS**

(21) Appl. No.: **35/518,378**

KR 300793670.0000 \* 4/2015  
WO D201176-002 \* 6/2019

(22) Filed: **Jul. 20, 2023**

**OTHER PUBLICATIONS**

(80) **Hague Agreement Data**

Int. Filing Date: **Jul. 20, 2023**  
Int. Reg. No.: **DM/231381**  
Int. Reg. Date: **Jul. 20, 2023**  
Int. Reg. Pub. Date: **Sep. 15, 2023**

Sterling, Terracross Portable Bridge, Sep. 28, 2020 (archive.org snapshot), <https://www.sterlingsolutions.com/product/terracross/> (Year: 2020).\*

(Continued)

*Primary Examiner* — Brett Miller

(51) **LOC (15) Cl.** ..... **25-03**

(74) *Attorney, Agent, or Firm* — Flaster Greenberg P.C.

(52) **U.S. Cl.**

USPC ..... **D34/32; D25/62; D25/1**

(57) **CLAIM**

(58) **Field of Classification Search**

USPC ..... D25/1, 38.1-46, 62-66; D34/32  
CPC .... E01D 1/00; E01D 6/00; E01D 6/02; E01D  
15/00; E01D 15/12; E01D 18/00; E01D  
19/103; E04F 11/002; E04G 5/14  
See application file for complete search history.

The ornamental design for a bridge as shown and described.

**DESCRIPTION**

(56) **References Cited**

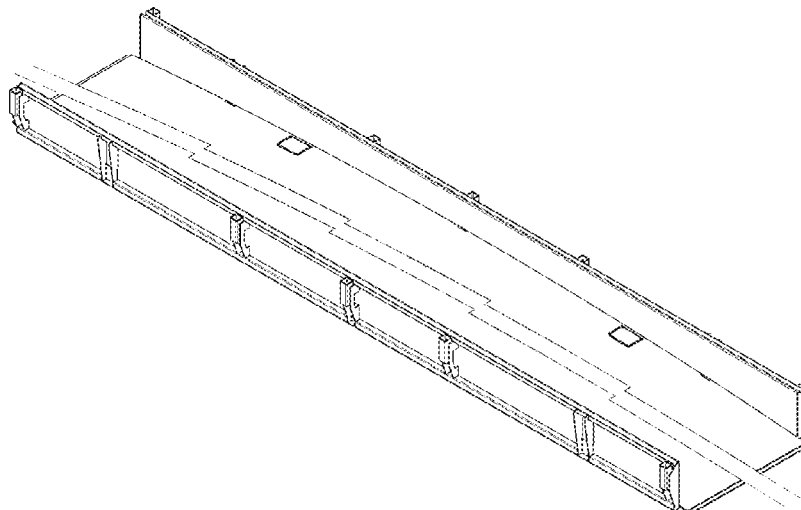
**U.S. PATENT DOCUMENTS**

238,130 A \* 2/1881 Lawrence ..... E01D 6/00  
14/4  
542,531 A \* 7/1895 Ogle ..... E04C 3/42  
14/15  
2,380,060 A \* 7/1945 Messmore ..... E01D 4/00  
52/642  
3,352,541 A \* 11/1967 Thom ..... E04F 11/1812  
52/832  
D247,751 S \* 4/1978 Appleby ..... D25/38.1  
4,467,888 A \* 8/1984 Hickling ..... E04G 5/14  
182/19

- 1. Bridge
- 1.1 : Front
- 1.2 : Back
- 1.3 : Left
- 1.4 : Right
- 1.5 : Top
- 1.6 : Bottom
- 1.7 : Perspective
- 1.8 : Perspective

Broken lines in the reproductions show matter which does not form part of the claimed design and for which protection is not sought. The drawings include symbolic break lines in FIGS. 1.1, 1.2, and 1.5-1.8. Any portion between the break lines forms no part of the claimed design.

**1 Claim, 8 Drawing Sheets**



(56)

**References Cited**

U.S. PATENT DOCUMENTS

D640,854	S *	6/2011	Leum .....	D34/32
D663,092	S *	7/2012	Blocker .....	D34/32
D706,513	S *	6/2014	LaBarbera .....	D34/32
D735,435	S *	7/2015	Guido, III .....	D34/32
9,534,394	B1 *	1/2017	Mettler .....	E01D 15/12
D783,923	S *	4/2017	Bernart .....	D34/32
11,970,825	B1 *	4/2024	Ling .....	E01D 19/103
2004/0151541	A1 *	8/2004	Occhiolini .....	E01D 6/00 404/6
2006/0272110	A1 *	12/2006	de la Chevrotiere .....	E01D 6/00 14/2.4
2009/0007348	A1 *	1/2009	Woodmansee, III .....	E01D 15/124 182/21
2014/0345069	A1 *	11/2014	Tirimanna .....	E01D 19/103 14/73.1
2017/0275886	A1 *	9/2017	Ueno .....	B61D 23/02
2019/0119922	A1 *	4/2019	Winter .....	E04F 11/002
2020/0002905	A1 *	1/2020	Brakhage .....	E01D 15/12

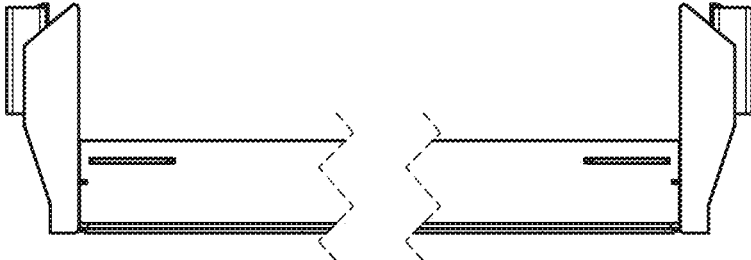
OTHER PUBLICATIONS

Safety-Box, Portable Bridges, 2015 (archive.org snapshot), <http://www.safety-box.com/bridges.html> (Year: 2015).\*

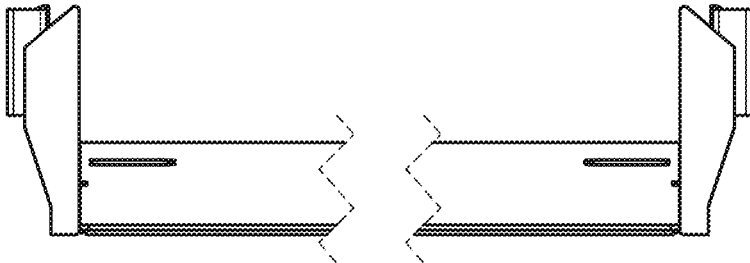
Rollingbarge.com, Aluminum Gangway, Apr. 26, 2012, <https://rollingbarge.com/aluminum-gangway-converted-into-a-portable-free-span-atv-bridge/> (Year: 2012).\*

Janson Bridging, Temporary Bridge Hire, Jan. 27, 2022 (archive.org snapshot), <https://www.jansonbridging.co.uk/en/temporary-bridge-hire> (Year: 2022).\*

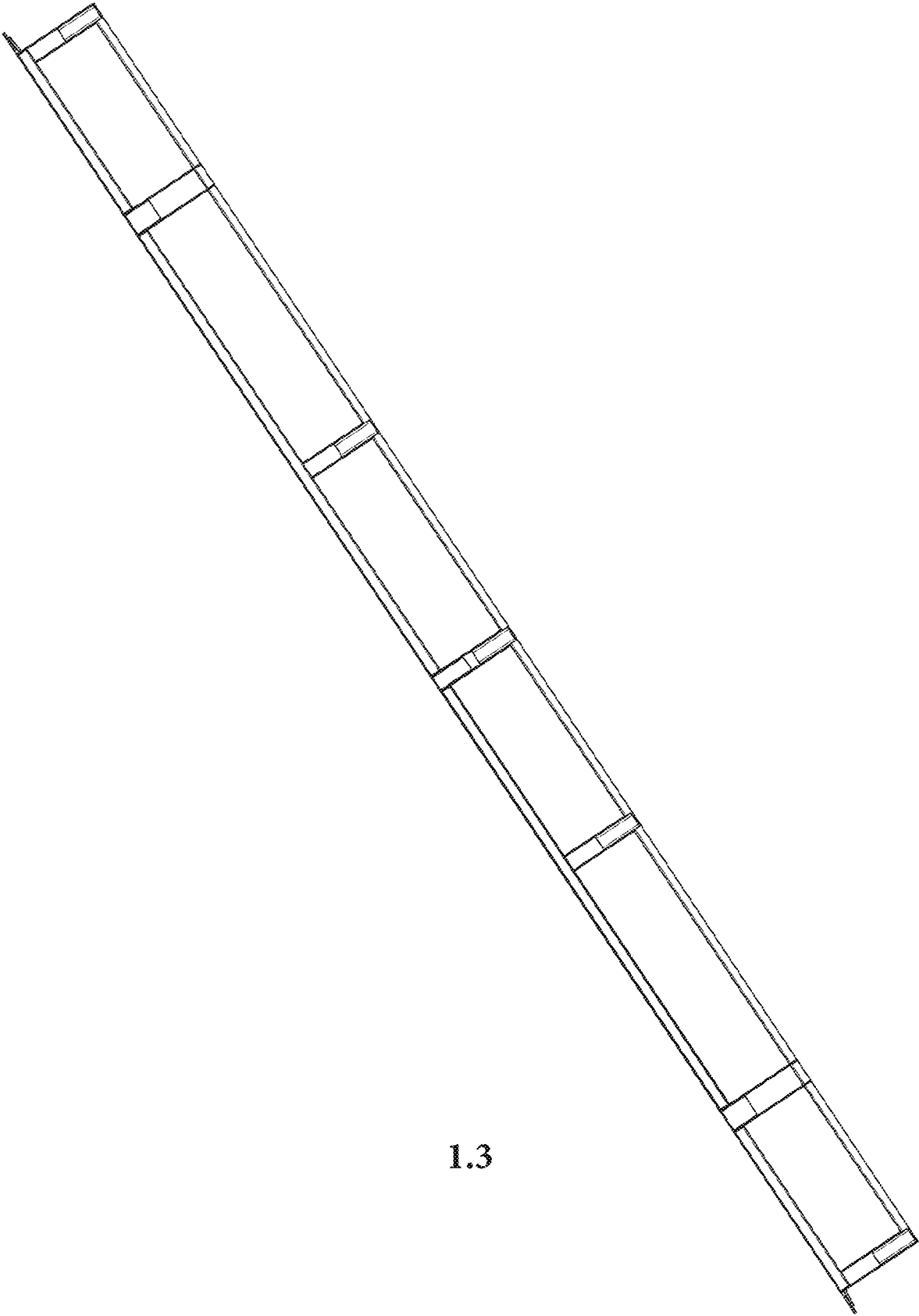
\* cited by examiner



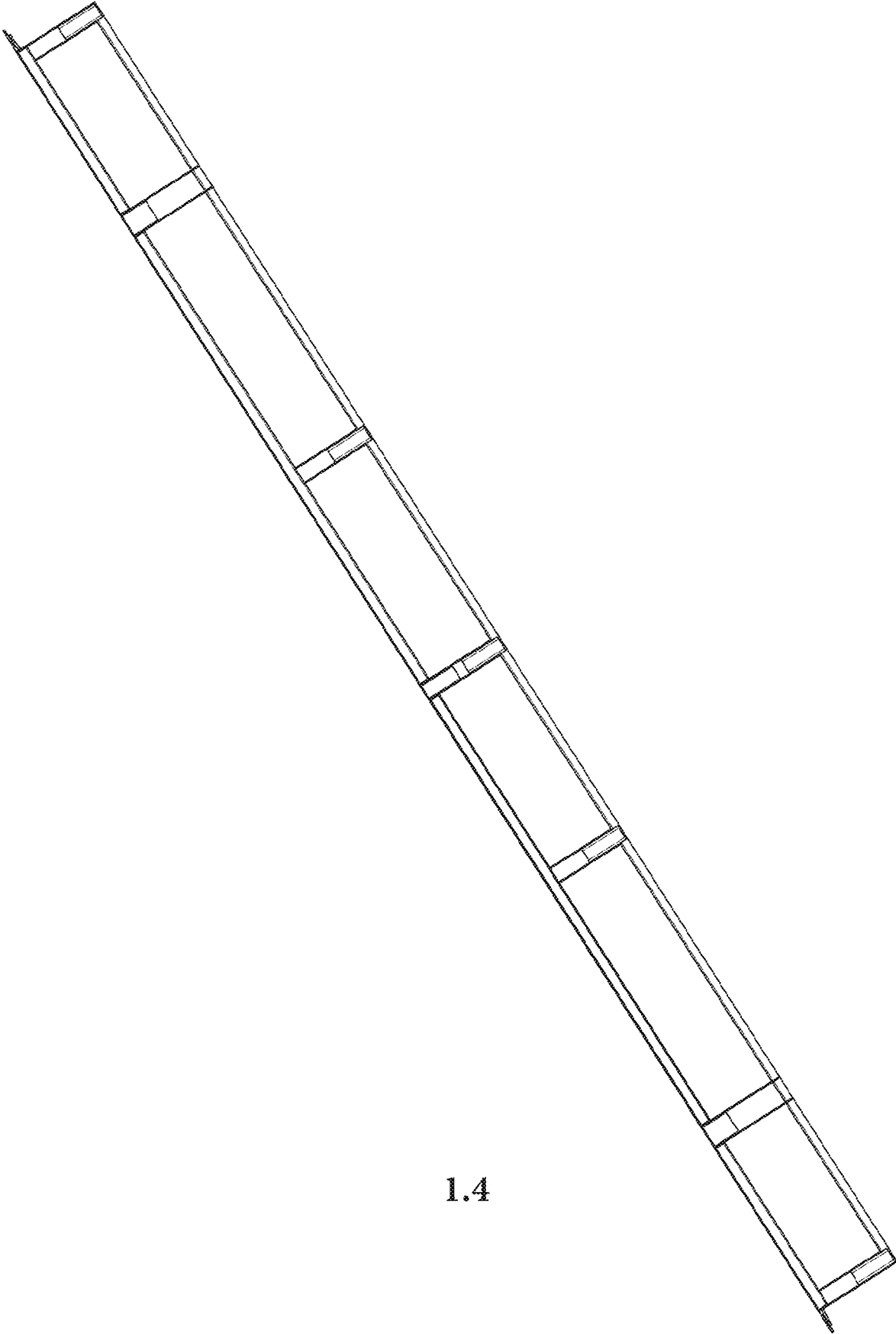
1.1



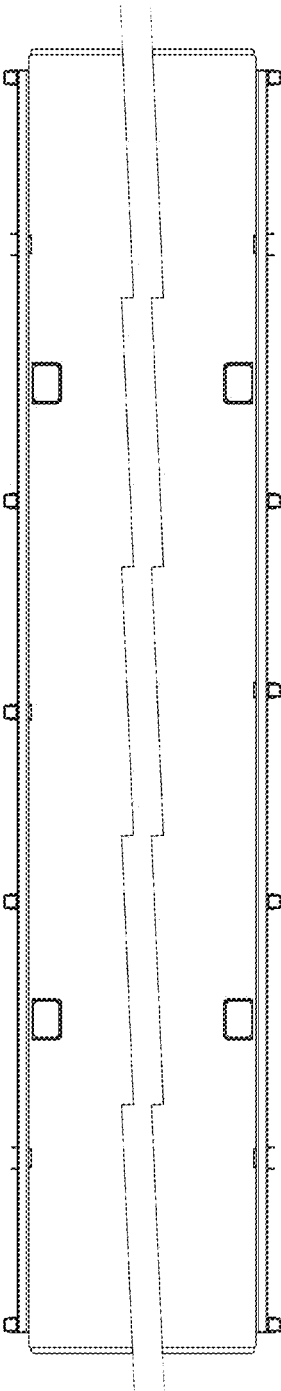
1.2



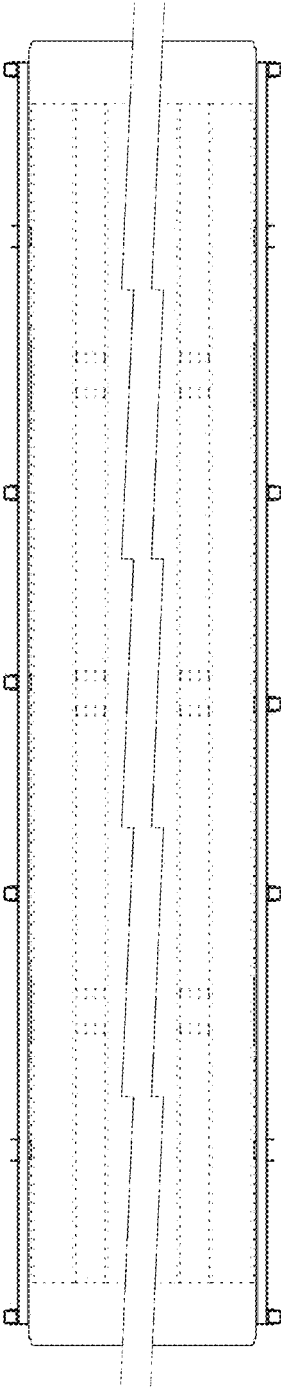
1.3



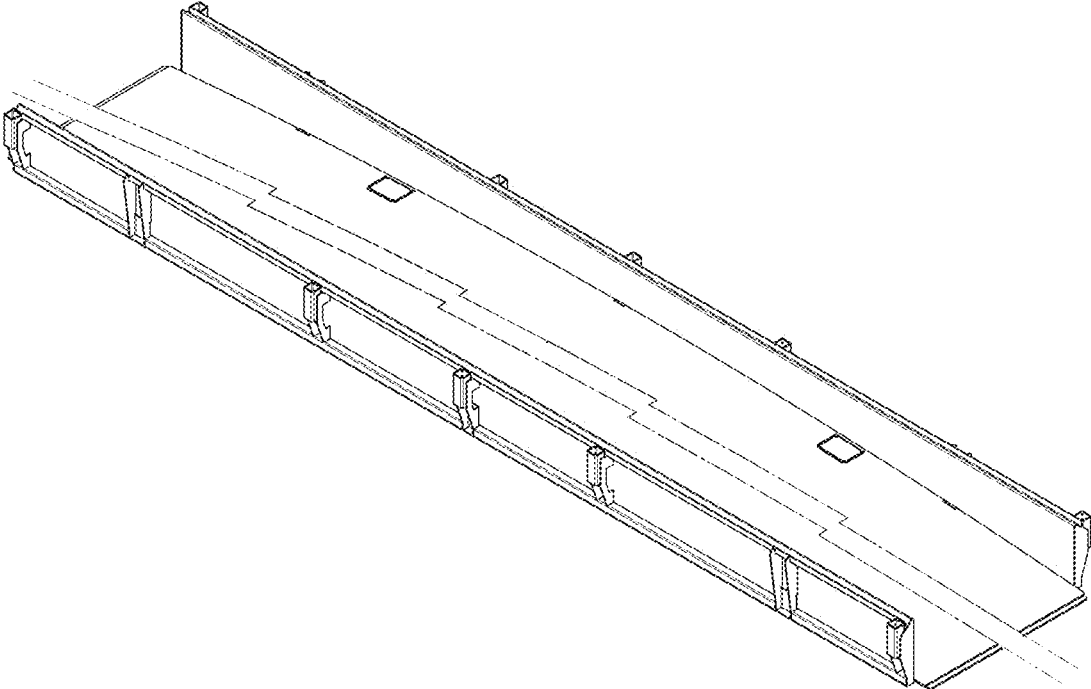
1.4



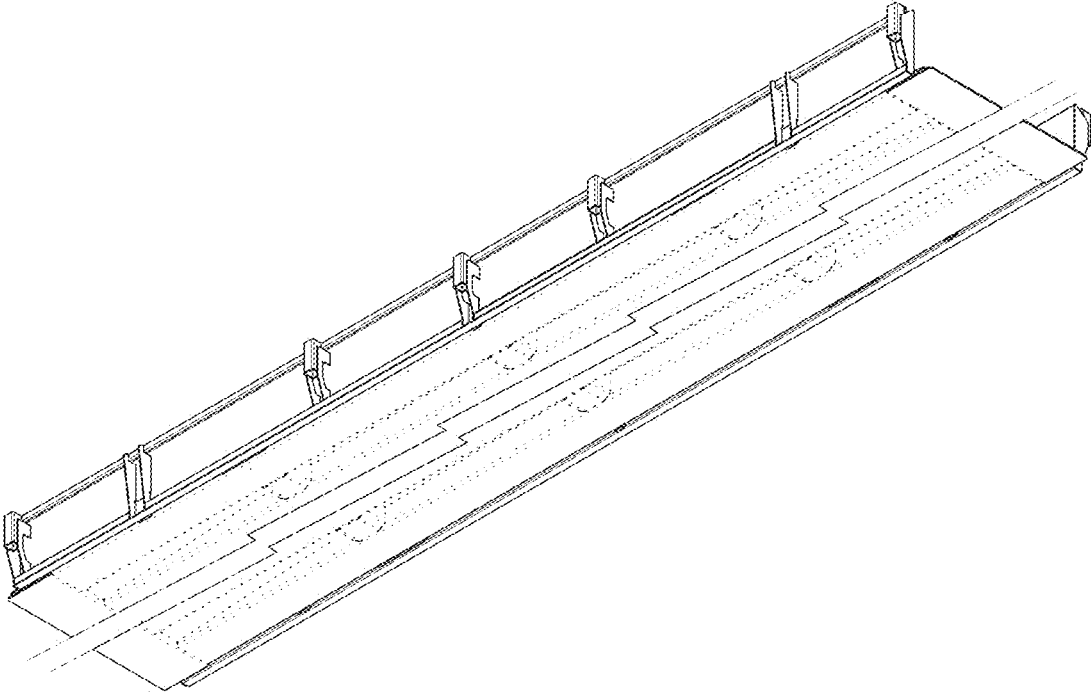
1.5



1.6



1.7



1.8