



US00D719599S

(12) **United States Design Patent**  
**Fujita**

(10) **Patent No.:** **US D719,599 S**

(45) **Date of Patent:** **\*\* Dec. 16, 2014**

(54) **DIGITAL CAMERA**

(71) Applicant: **Nikon Corporation**, Tokyo (JP)

(72) Inventor: **Chikara Fujita**, Tokyo (JP)

(73) Assignee: **Nikon Corporation**, Tokyo (JP)

(\*\*) Term: **14 Years**

(21) Appl. No.: **29/469,833**

(22) Filed: **Oct. 15, 2013**

(30) **Foreign Application Priority Data**

Apr. 16, 2013 (JP) ..... 2013-008562

(51) **LOC (10) Cl.** ..... **16-01**

(52) **U.S. Cl.**  
USPC ..... **D16/202**

(58) **Field of Classification Search**  
CPC ..... G03B 15/03; G03B 17/02; G03B 17/04;  
G03B 17/56; G03B 19/04; H04N 5/2251;  
H04N 5/2252; H04N 5/2253; H04N 5/2254;  
H04N 2101/00  
USPC ..... D16/200, 202-206, 208, 218, 219, 242;  
348/373-376; 396/535, 539-541  
See application file for complete search history.

(56) **References Cited**

**U.S. PATENT DOCUMENTS**

D323,518 S *	1/1992	Ko	.....	D16/200
D323,666 S *	2/1992	Yu	.....	D16/200
D430,186 S *	8/2000	Suzuki et al.	.....	D16/218
D475,073 S *	5/2003	Omino	.....	D16/202
D508,065 S *	8/2005	Dow et al.	.....	D16/202
D535,314 S *	1/2007	Chang	.....	D16/202
D555,182 S *	11/2007	Senda	.....	D16/202

D562,867 S *	2/2008	Inaba	.....	D16/202
D597,578 S *	8/2009	Kim et al.	.....	D16/202
D601,605 S *	10/2009	Yoo	.....	D16/202
D629,824 S *	12/2010	Takahashi	.....	D16/202
D633,934 S *	3/2011	Funakoshi	.....	D16/219
D641,033 S *	7/2011	Nohara	.....	D16/202
D657,408 S *	4/2012	Tainaka	.....	D16/202
D662,958 S *	7/2012	Fujita	.....	D16/202
D669,518 S *	10/2012	Nakamura	.....	D16/202
D689,111 S *	9/2013	Kobayashi	.....	D16/202
D695,329 S *	12/2013	Fujita et al.	.....	D16/202
D695,808 S *	12/2013	Takahashi	.....	D16/202
2007/0212062 A1 *	9/2007	Saiki et al.	.....	396/535

\* cited by examiner

*Primary Examiner* — Adir Aronovich

*Assistant Examiner* — Ramzi Almatrahi

(74) *Attorney, Agent, or Firm* — Wolf, Greenfield & Sacks, P.C.; Randy J. Pritzker

(57) **CLAIM**

The ornamental design for a digital camera, as shown and described.

**DESCRIPTION**

FIG. 1 is a front perspective view of a digital camera showing my new design;

FIG. 2 is a rear perspective view thereof;

FIG. 3 is a front elevational view thereof;

FIG. 4 is a rear elevational view thereof;

FIG. 5 is a top plan view thereof;

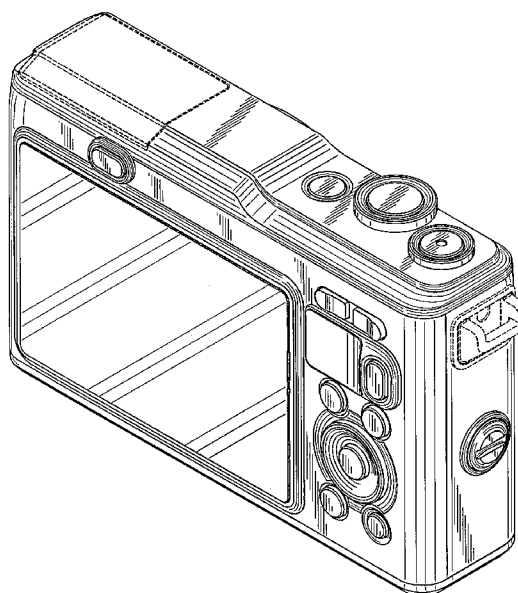
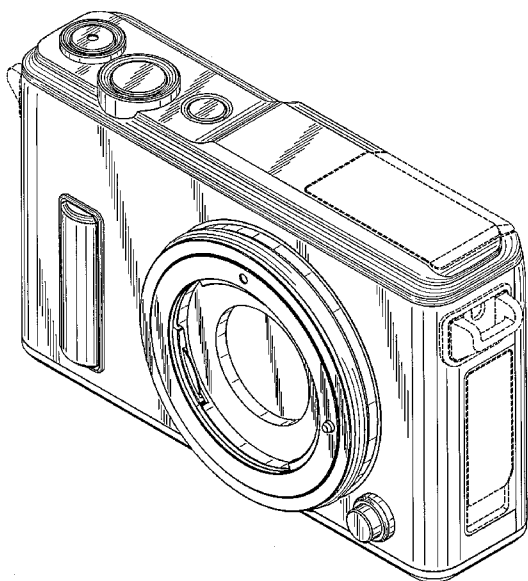
FIG. 6 is a bottom plan view thereof;

FIG. 7 is a right side elevational view thereof; and,

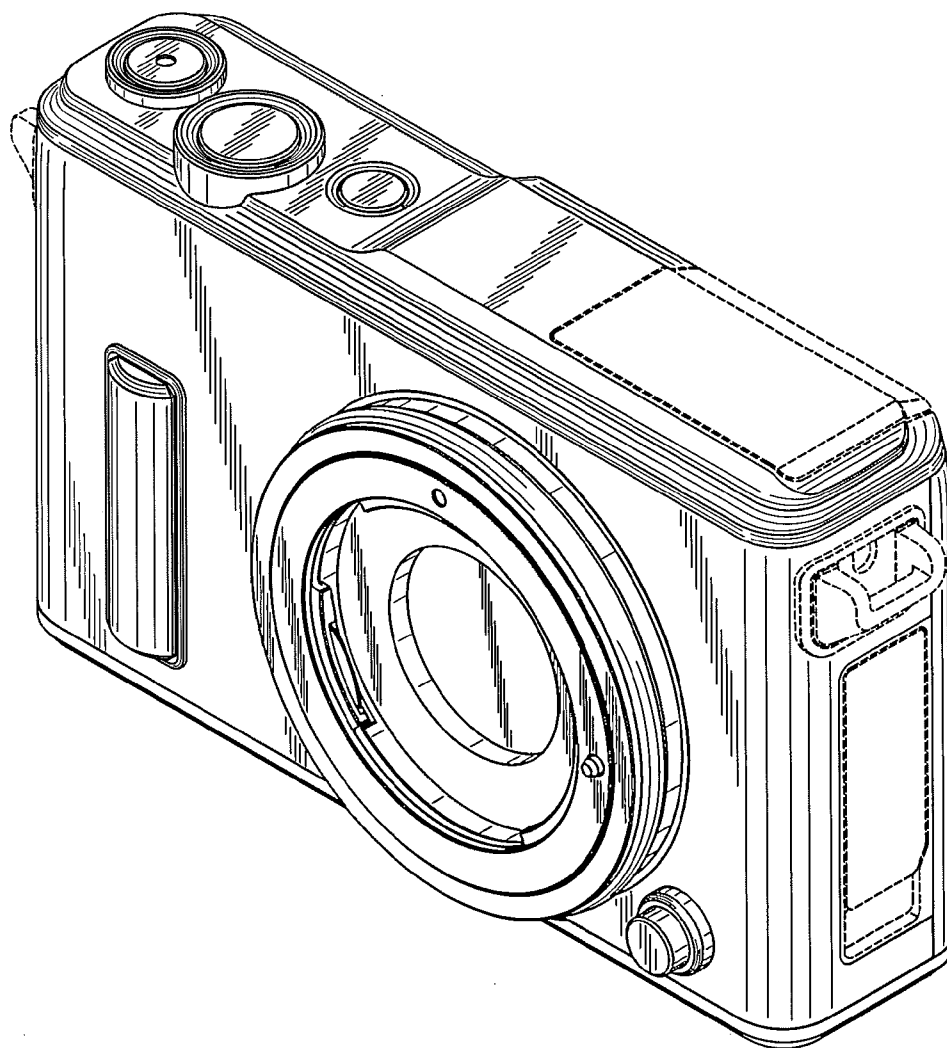
FIG. 8 is a left side elevational view thereof.

The broken lines depict portions of the digital camera in which the design is embodied and form no part of the claimed design.

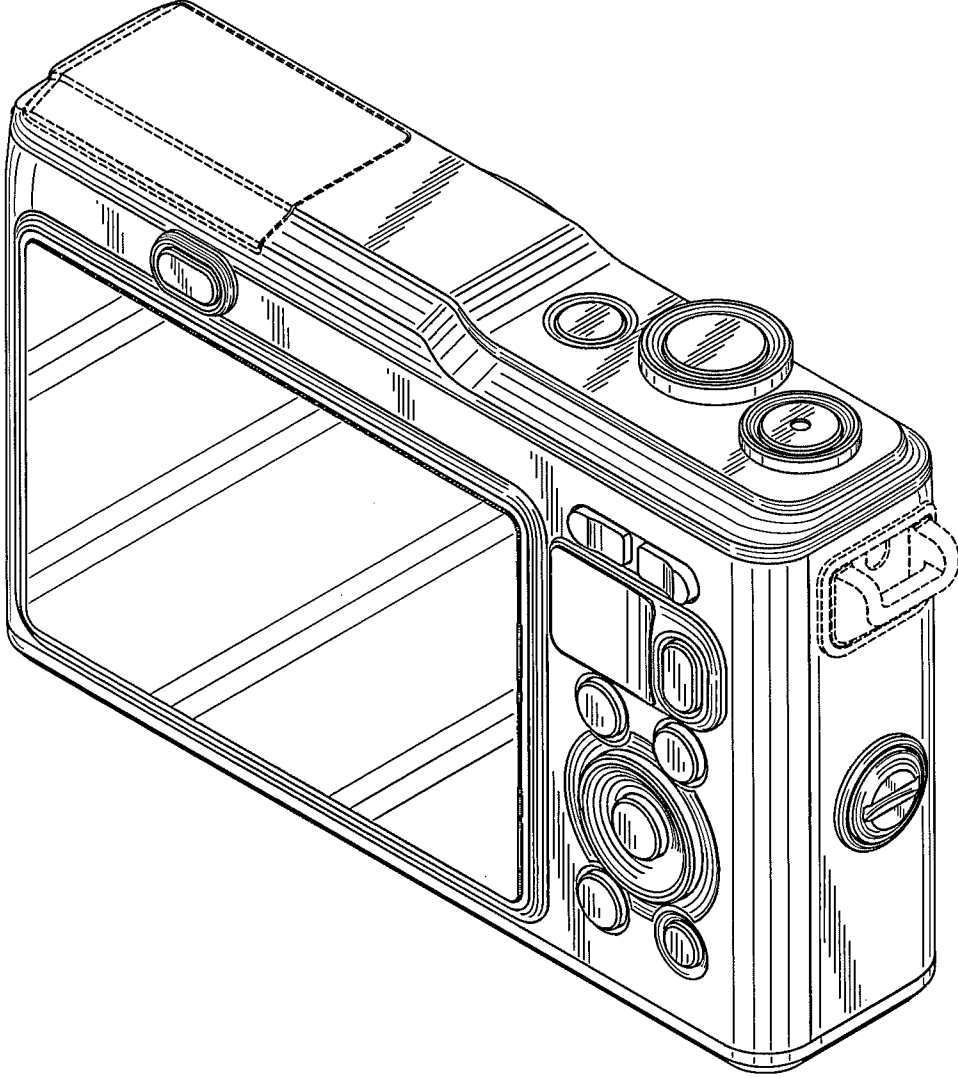
**1 Claim, 8 Drawing Sheets**



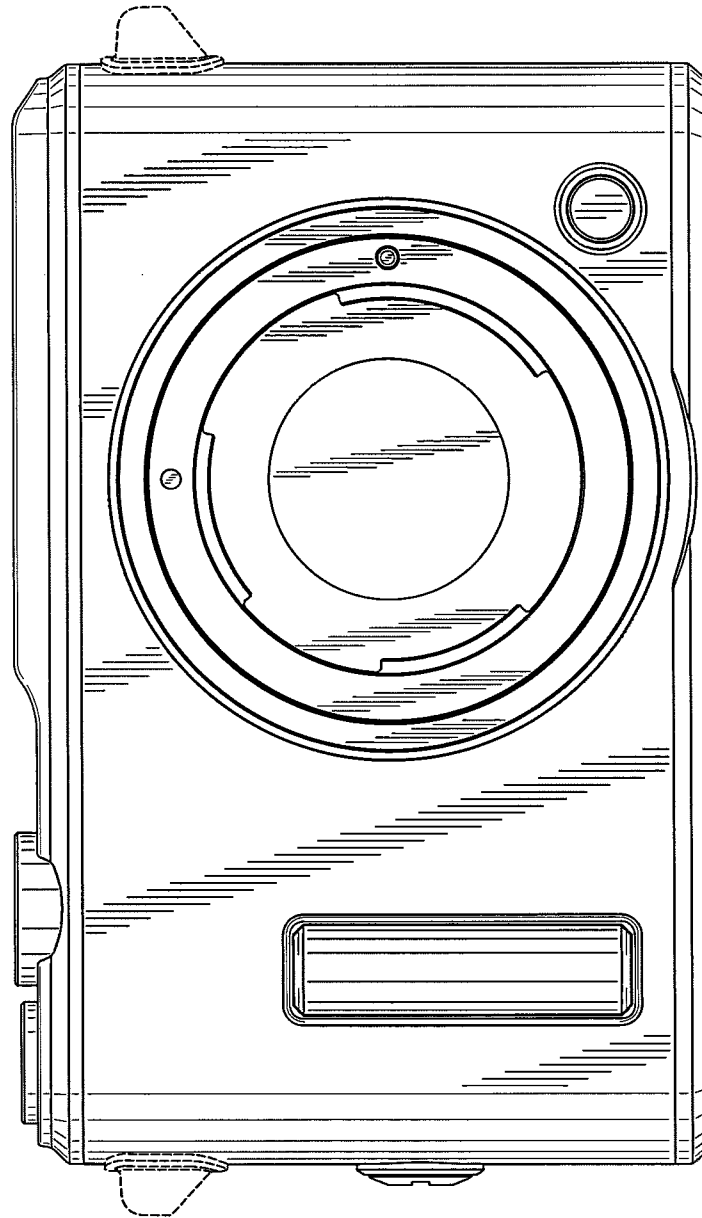
*FIG. 1*



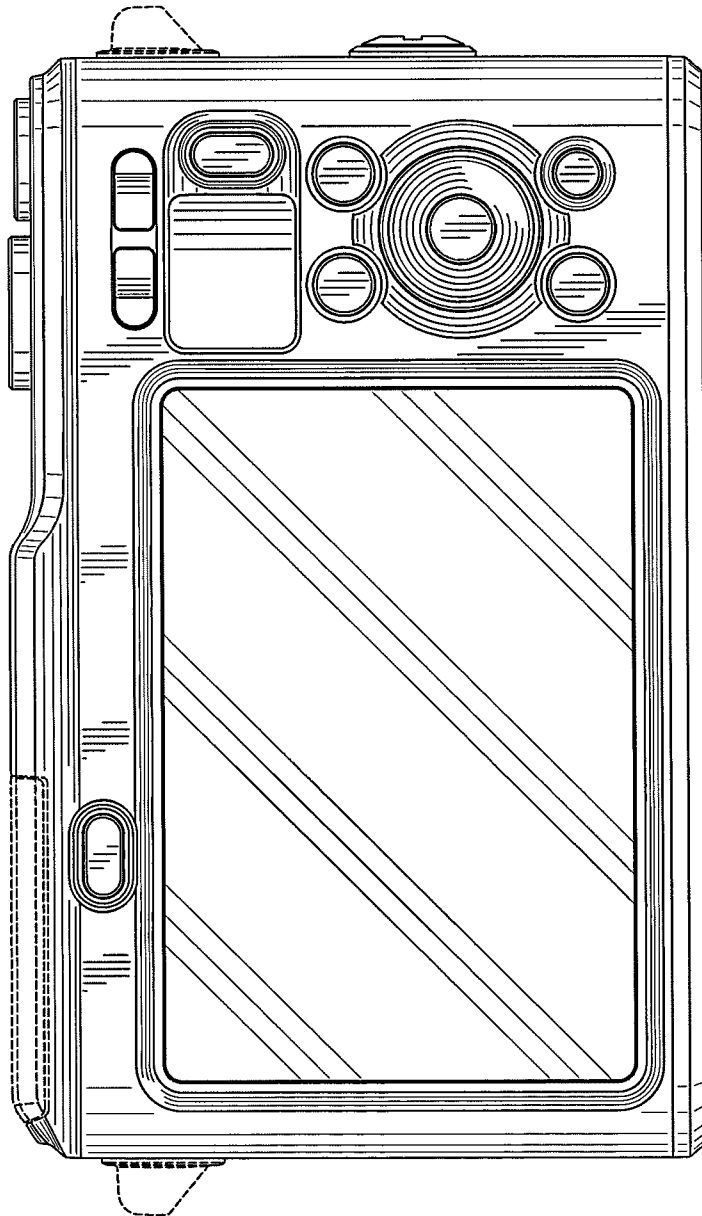
*FIG. 2*



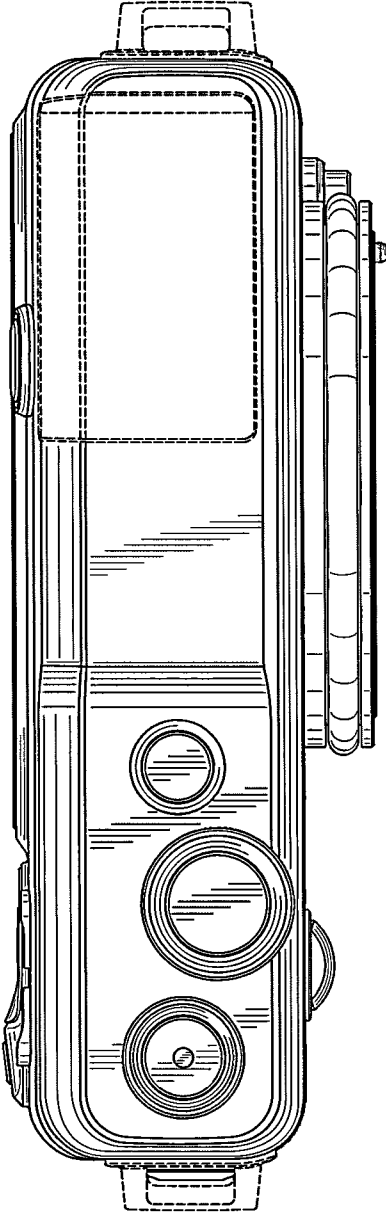
**FIG. 3**



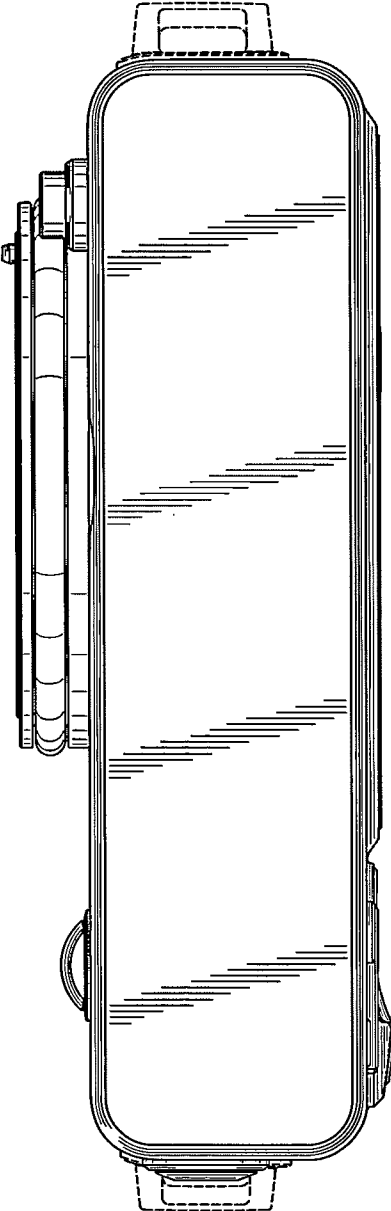
*FIG. 4*



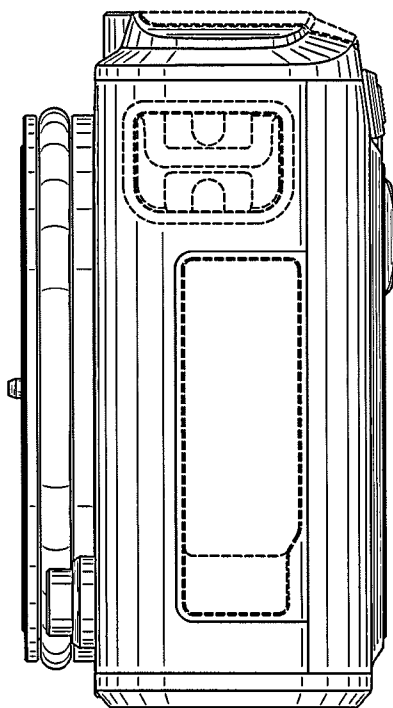
*FIG. 5*



*FIG. 6*



*FIG. 7*



*FIG. 8*

