



US00D813742S

(12) **United States Design Patent** (10) **Patent No.:** **US D813,742 S**
McMahan et al. (45) **Date of Patent:** **** Mar. 27, 2018**

(54) **VEHICLE REAR BUMPER**
(71) Applicant: **GM GLOBAL TECHNOLOGY OPERATIONS LLC**, Detroit, MI (US)
(72) Inventors: **Robert B. McMahan**, Bloomfield Hills, MI (US); **Reginald M. Gay**, Southfield, MI (US)
(73) Assignee: **GM Global Technology Operations LLC**, Detroit, MI (US)
(**) Term: **15 Years**
(21) Appl. No.: **29/586,840**
(22) Filed: **Dec. 7, 2016**
(51) **LOC (11) Cl.** **12-16**
(52) **U.S. Cl.** **D12/169**
USPC **D12/169**
(58) **Field of Classification Search**
USPC D12/169, 216, 90-92, 86, 171, 196, 163; 293/102, 113, 115, 117, 120; 296/180.1, 296/180.2
CPC B60R 19/02; B60R 19/04; B62D 25/08
See application file for complete search history.

D608,690 S 1/2010 Folden et al.
D608,691 S 1/2010 Zak, Jr. et al.
D609,608 S 2/2010 Boniface et al.
D611,387 S 3/2010 Thompson et al.
D611,879 S 3/2010 Kim et al.
D612,297 S 3/2010 Peters et al.
D613,645 S 4/2010 Song et al.
D615,458 S 5/2010 Thompson et al.
D618,595 S 6/2010 Ware et al.
D623,090 S 9/2010 Cox et al.
D627,262 S 11/2010 Ikeda et al.
D635,488 S 4/2011 Phipps
D644,147 S 8/2011 Suh et al.
D644,567 S 9/2011 Kozub
D657,718 S 4/2012 Zipfel et al.
D659,052 S 5/2012 Ware et al.
D659,053 S 5/2012 Ware et al.
D668,182 S 10/2012 Barba Franco et al.
D668,183 S 10/2012 Smart
D678,820 S 3/2013 Son et al.
D678,821 S 3/2013 Ikeda et al.
D680,909 S 4/2013 Munson et al.

(Continued)

Primary Examiner — Melody N Brown
(74) Attorney, Agent, or Firm — Reising Ethington P.C.

(57) **CLAIM**

The ornamental design for a vehicle rear bumper, as shown and described.

(56) **References Cited**

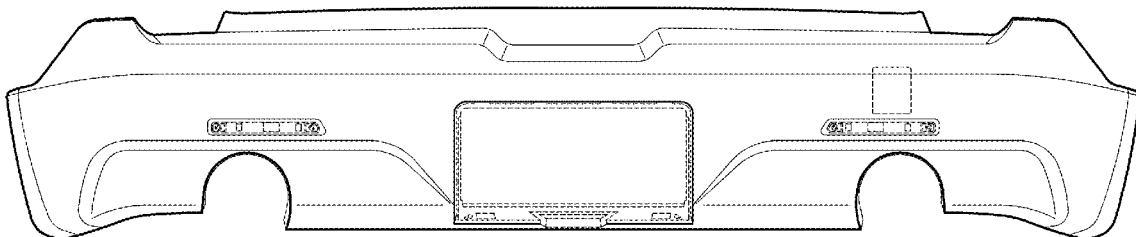
U.S. PATENT DOCUMENTS

D570,742 S 6/2008 Takagi et al.
D592,105 S 5/2009 Dean et al.
D597,447 S 8/2009 Folden
D600,595 S 9/2009 Nakamura et al.
D601,925 S 10/2009 O'Donnell
D603,755 S 11/2009 Peters
D604,203 S 11/2009 O'Donnell
D605,082 S 12/2009 Munson
D605,083 S 12/2009 Manoogian, II et al.
D605,977 S 12/2009 Zipfel et al.
D605,978 S 12/2009 Wolff et al.
D608,249 S 1/2010 Peters

DESCRIPTION

FIG. 1 is a perspective view of a vehicle rear bumper showing our new design;
FIG. 2 is a front view thereof;
FIG. 3 is a left side elevational view thereof, the right side view being substantially a mirror image thereof; and,
FIG. 4 is a top view thereof.
The broken lines shown in the drawings depict portions of the vehicle rear bumper that form no part of the claimed design.

1 Claim, 2 Drawing Sheets



(56)

References Cited

U.S. PATENT DOCUMENTS

D680,910 S	4/2013	David	D745,726 S	12/2015	McMahan et al.
D684,899 S	6/2013	Baker	D745,837 S	12/2015	Smith et al.
D686,536 S	7/2013	McCabe et al.	D746,726 S	1/2016	Smith et al.
D692,798 S	11/2013	Thurber	D746,727 S	1/2016	Smith et al.
D692,799 S	11/2013	Smith et al.	D746,728 S	1/2016	Smith et al.
D696,157 S	12/2013	Loeb	D746,729 S	1/2016	Boniface et al.
D699,629 S	2/2014	Ikeda et al.	D746,730 S	1/2016	Kim et al.
D700,871 S	3/2014	O'Donnell et al.	D747,514 S	1/2016	McMahan et al.
D703,103 S	4/2014	Lee	D747,515 S	1/2016	McMahan et al.
D704,103 S	5/2014	Mack et al.	D747,819 S	1/2016	Thole et al.
D705,132 S	5/2014	Ware et al.	D749,021 S	2/2016	Boniface et al.
D705,699 S	5/2014	Ware et al.	D749,026 S	2/2016	Smith et al.
D713,298 S	9/2014	Dyson	D749,027 S	2/2016	McMahan et al.
D713,764 S	9/2014	Ferlazzo et al.	D749,246 S	2/2016	Thole et al.
D714,196 S *	9/2014	Mays D12/169	D749,249 S	2/2016	Thole et al.
D715,708 S *	10/2014	Mays D12/169	D749,250 S	2/2016	Thole et al.
D716,696 S	11/2014	Thole et al.	D749,985 S	2/2016	Kozub et al.
D716,706 S	11/2014	Thole et al.	D749,997 S	2/2016	McMahan et al.
D716,709 S	11/2014	Thole et al.	D750,001 S	2/2016	Thole et al.
D717,696 S	11/2014	Thole et al.	D753,032 S	4/2016	Smith et al.
D718,189 S	11/2014	Krieg et al.	D753,033 S	4/2016	Thole et al.
D718,683 S	12/2014	Thole et al.	D753,034 S	4/2016	Thole et al.
D722,282 S	2/2015	Loeb	D753,035 S	4/2016	Boniface et al.
D722,533 S	2/2015	Thole et al.	D753,559 S	4/2016	McMahan et al.
D722,534 S	2/2015	Munson et al.	D753,560 S	4/2016	McMahan et al.
D724,510 S	3/2015	McMahan et al.	D753,567 S	4/2016	Boniface et al.
D725,001 S	3/2015	McMahan et al.	D754,571 S	4/2016	Boniface et al.
D726,591 S	4/2015	Jacob	D754,572 S	4/2016	McMahan et al.
D730,776 S	6/2015	Smart	D755,088 S	5/2016	McMahan et al.
D730,783 S	6/2015	Henriques et al.	D756,869 S	5/2016	McMahan et al.
D732,427 S	6/2015	Loeb	D758,271 S	6/2016	McMahan et al.
D732,429 S	6/2015	Loeb	D767,449 S	9/2016	Pevovar et al.
D732,430 S	6/2015	Loeb	D767,450 S	9/2016	Lee et al.
D732,431 S	6/2015	Loeb	D767,451 S	9/2016	Kozub et al.
D732,432 S	6/2015	Aengenheyster	D767,454 S	9/2016	McMahan et al.
D732,433 S	6/2015	Aengenheyster	D767,458 S	9/2016	Kim
D732,435 S	6/2015	Mackay	D767,459 S	9/2016	Kim
D733,002 S	6/2015	Loeb	D767,460 S	9/2016	Kozub et al.
D735,611 S	8/2015	Aengenheyster	D767,461 S	9/2016	Kozub et al.
D735,627 S	8/2015	Smith	D771,528 S	11/2016	Smith et al.
D736,451 S	8/2015	Smith	D771,529 S	11/2016	Thole et al.
D739,306 S	9/2015	McMahan	D771,532 S	11/2016	Kapitonov
D739,317 S	9/2015	McMahan	D771,533 S	11/2016	Kapitonov
D741,223 S	10/2015	Kim et al.	D772,766 S	11/2016	Kozub et al.
D743,309 S	11/2015	Thole et al.	D772,767 S	11/2016	Kim
D743,313 S	11/2015	Smith et al.	D773,084 S	11/2016	Kapitonov
D743,314 S	11/2015	Thole et al.	D773,086 S	11/2016	McCabe et al.
D743,857 S	11/2015	McMahan et al.	D784,866 S *	4/2017	Hill D12/169
D744,158 S	11/2015	Willett et al.	D792,298 S *	7/2017	Komuro D12/169
D745,086 S	12/2015	Finos et al.	D793,927 S *	8/2017	Potter D12/169
D745,719 S	12/2015	Boniface et al.	D797,616 S *	9/2017	Lee D12/169
D745,725 S	12/2015	McMahan et al.	D797,617 S *	9/2017	Mori D12/169
			D801,883 S *	11/2017	Fujiwara D12/169
			D801,885 S *	11/2017	Melikian D12/169

* cited by examiner

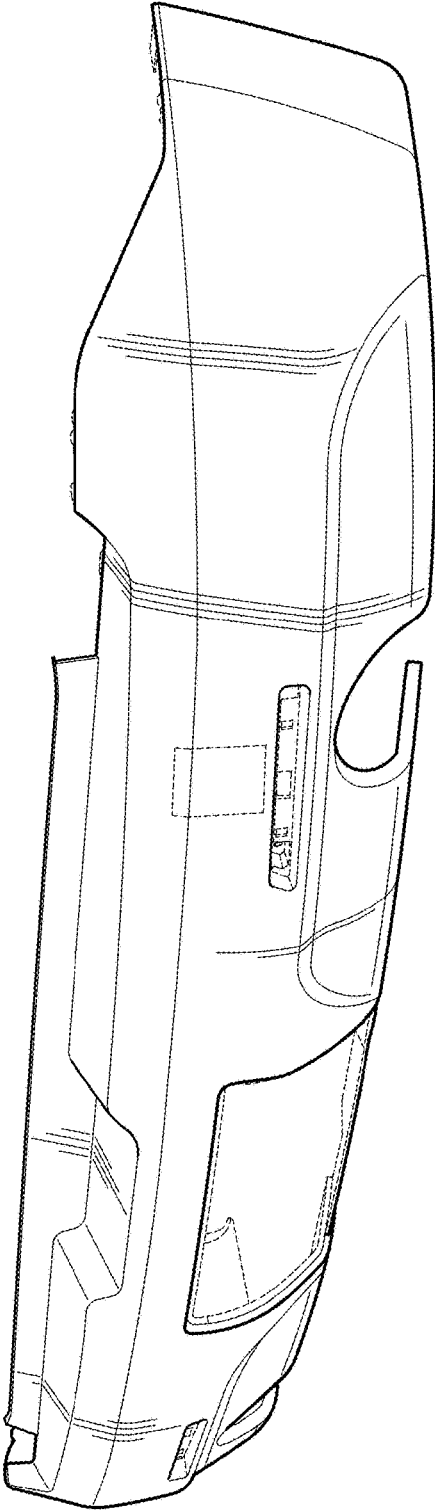


FIG. 1

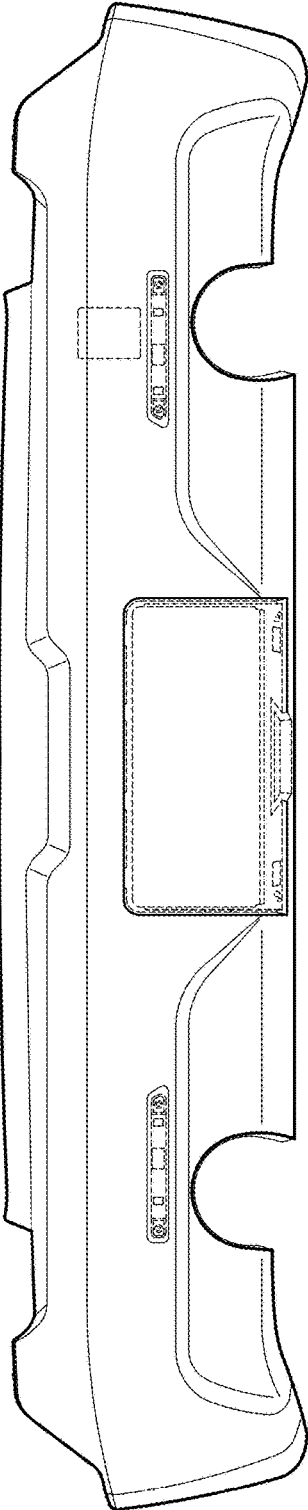


FIG. 2

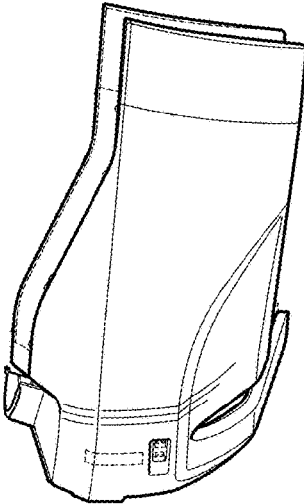


FIG. 3

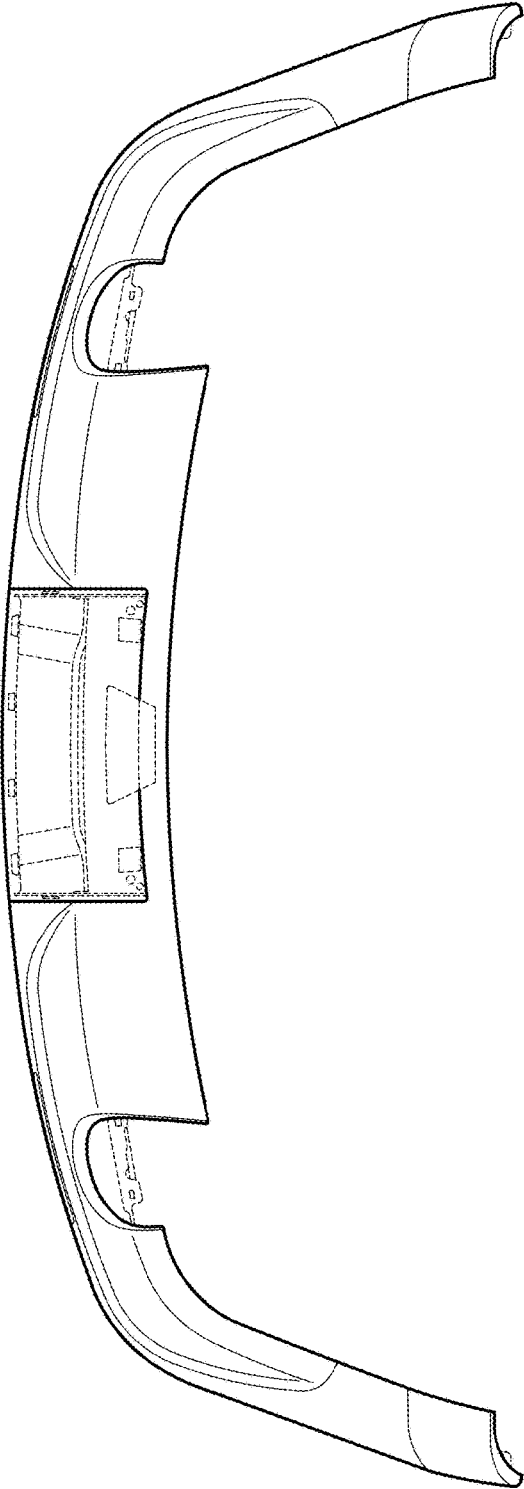


FIG. 4