



US00D724771S

(12) **United States Design Patent**
Ma

(10) **Patent No.:** **US D724,771 S**

(45) **Date of Patent:** **** Mar. 17, 2015**

(54) **LIGHTING DEVICE**

(71) Applicant: **Eveready Battery Company, Inc., St. Louis, MO (US)**

(72) Inventor: **Lai King Ma, Fanling (HK)**

(73) Assignee: **Eveready Battery Company, Inc., St. Louis, MO (US)**

(**) Term: **14 Years**

(21) Appl. No.: **29/466,490**

(22) Filed: **Sep. 9, 2013**

(51) **LOC (10) Cl.** **26-05**

(52) **U.S. Cl.**
USPC **D26/26**

(58) **Field of Classification Search**

CPC F21S 8/035; F21V 23/06; F21V 23/0442
USPC D26/26, 125, 118, 24, 72, 85, 37;
D23/366, 367, 369; 362/640, 641, 642,
362/643, 644, 651, 652, 657, 658, 659
See application file for complete search history.

(56) **References Cited**

U.S. PATENT DOCUMENTS

D287,408 S	*	12/1986	Gaines	D26/26
D426,328 S	*	6/2000	Yuen	D26/26
D426,904 S	*	6/2000	Simon	D26/26
D434,863 S	*	12/2000	Boessel	D26/26

D498,318 S	*	11/2004	Yuen	D26/38
D618,831 S	*	6/2010	Pennington	D26/26
D618,832 S	*	6/2010	Choi	D26/26
D642,301 S	*	7/2011	Rothman	D26/26
D642,707 S	*	8/2011	Kang et al.	D26/26
D642,709 S	*	8/2011	Kang	D26/26
D644,362 S	*	8/2011	Kingston	D26/26
D644,769 S	*	9/2011	Ng	D26/26
D678,561 S	*	3/2013	Rugendyke et al.	D26/26

* cited by examiner

Primary Examiner — Angela J Lee

(74) *Attorney, Agent, or Firm* — Eveready Battery Company, Inc.

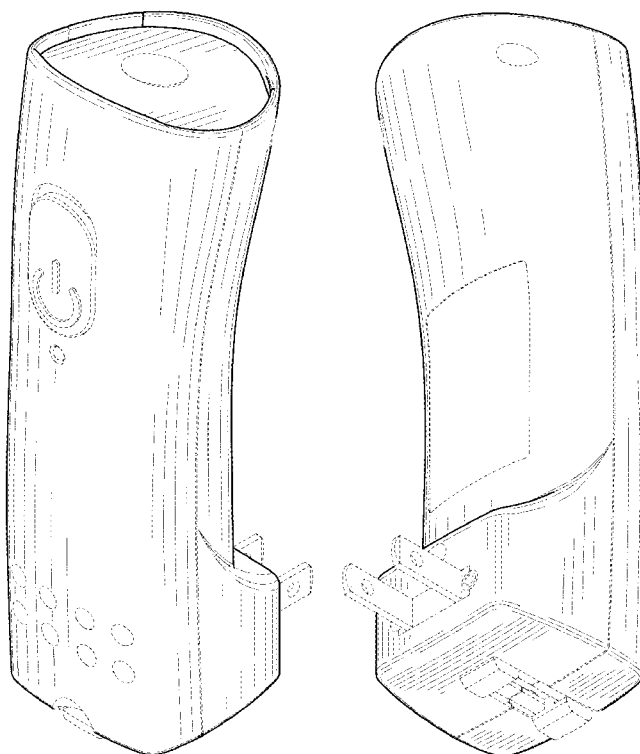
(57) **CLAIM**

The ornamental design for a lighting device, as shown and described.

DESCRIPTION

FIG. 1 is a top perspective view of a lighting device showing my design;
FIG. 2 is a bottom perspective view of the design.
FIG. 3 is a top view of the design.
FIG. 4 is a bottom view of the design.
FIG. 5 is a left side view of the design.
FIG. 6 is a right side view of the design.
FIG. 7 is a front view of the design; and,
FIG. 8 is a rear view of the design.
The portions of the lighting device shown in broken lines form no part of the claimed design.

1 Claim, 4 Drawing Sheets



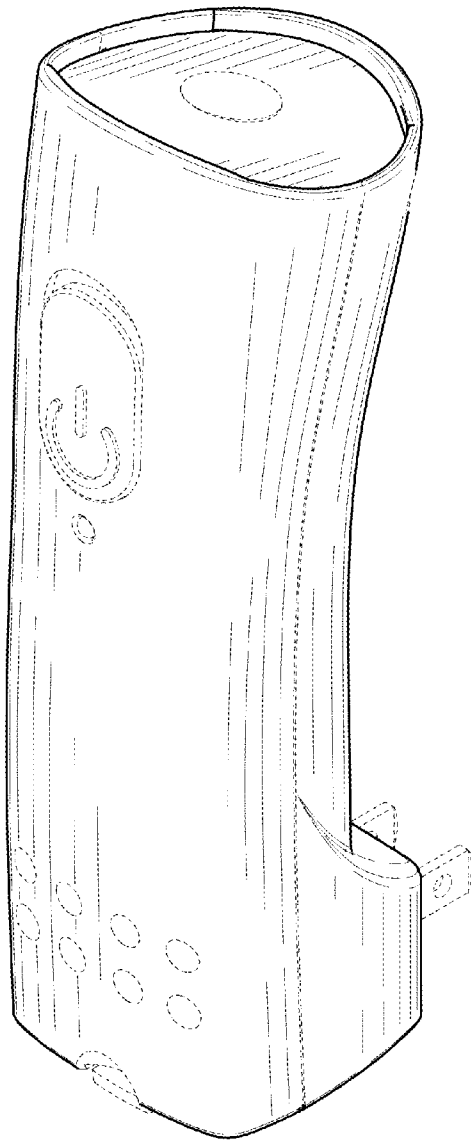


Fig. 1

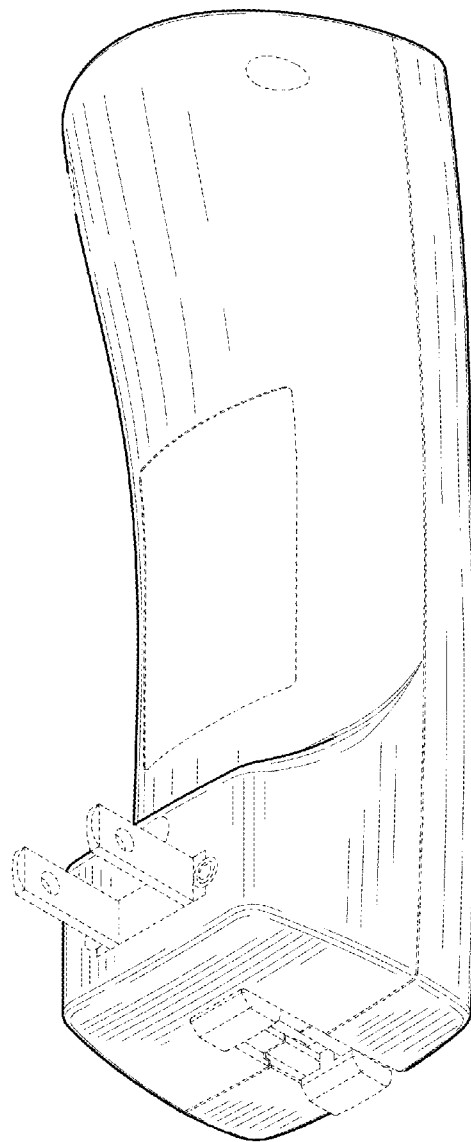


Fig. 2

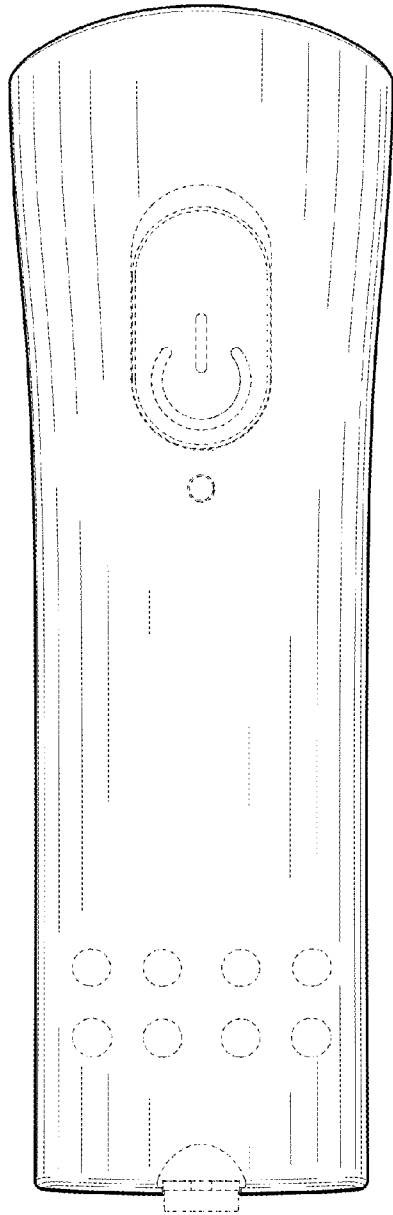


Fig. 3

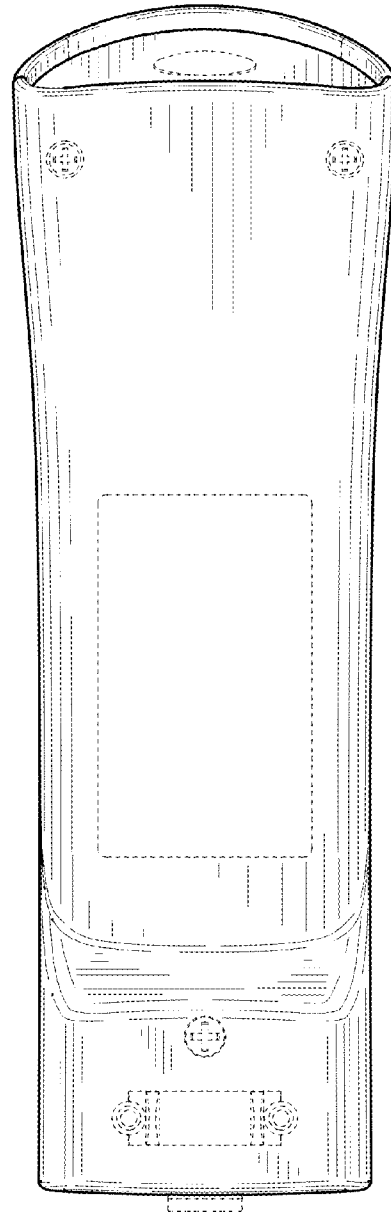


Fig. 4

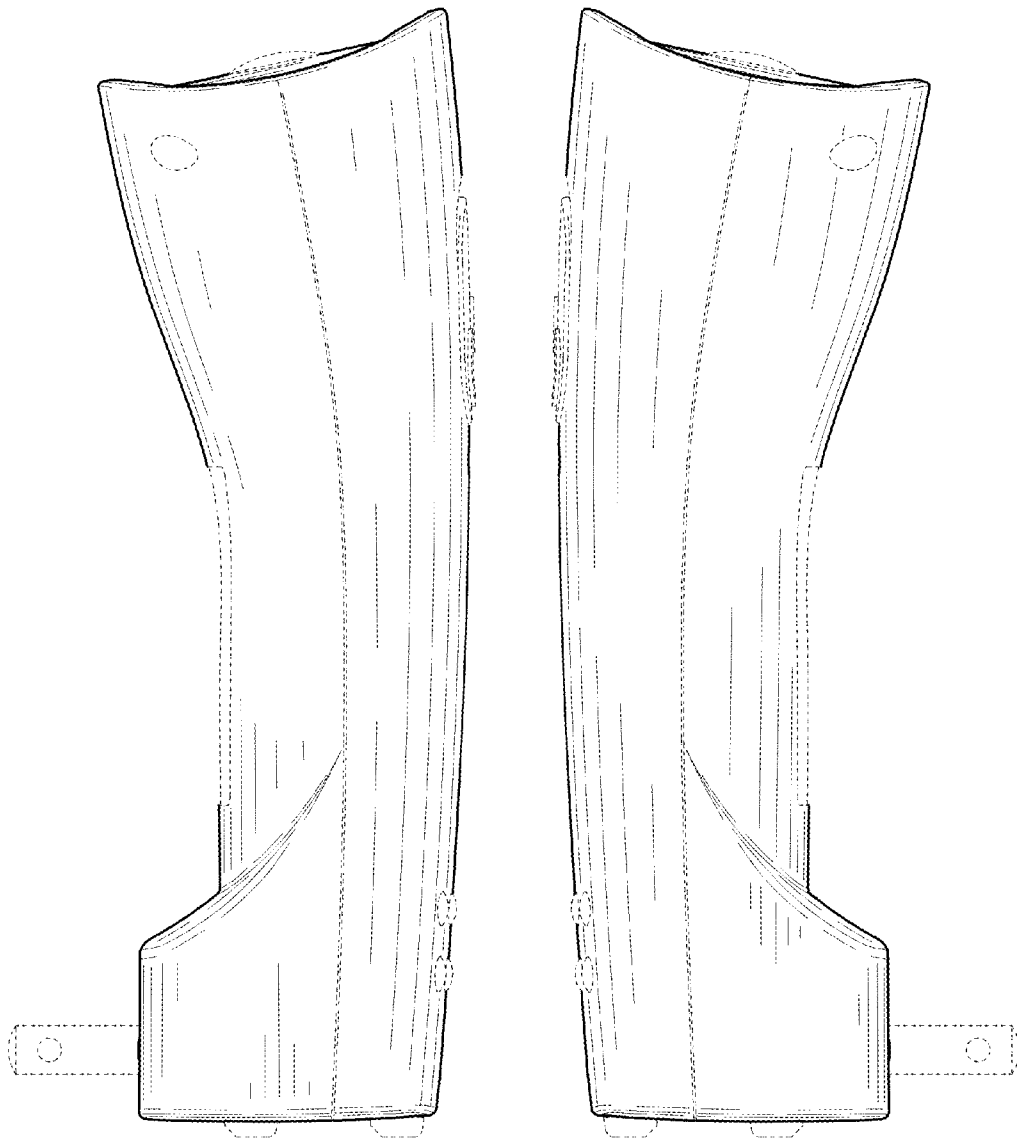


Fig. 5

Fig. 6

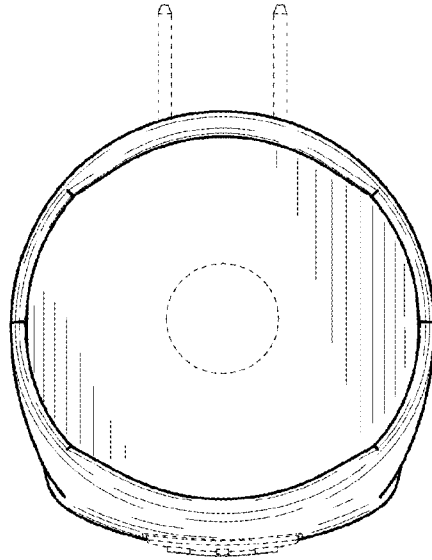


Fig. 7

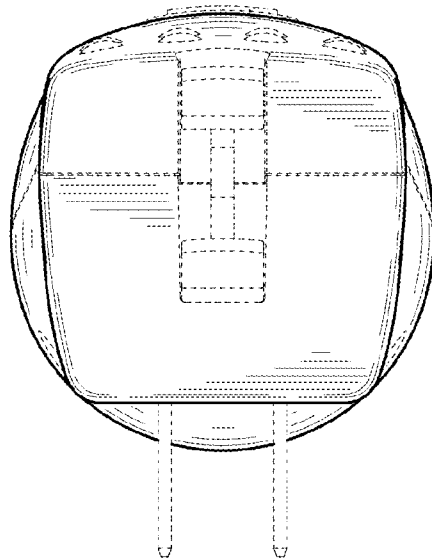


Fig. 8