



US00D577994S

(12) **United States Design Patent**  
**Kessell et al.**

(10) **Patent No.:** **US D577,994 S**

(45) **Date of Patent:** **\*\* Oct. 7, 2008**

(54) **COLLAPSIBLE CONTAINER**

(75) Inventors: **Michael Ross Kessell**, Auckland (NZ);  
**Charles Graeme Murray**, Auckland  
(NZ)

(73) Assignee: **Tarvis Technology Limited**, Auckland  
(NZ)

(\*\*) Term: **14 Years**

(21) Appl. No.: **29/232,695**

(22) Filed: **Jun. 23, 2005**

(30) **Foreign Application Priority Data**

Dec. 23, 2004 (NZ) ..... 405693

(51) **LOC (8) Cl.** ..... **09-03**

(52) **U.S. Cl.** ..... **D9/425**

(58) **Field of Classification Search** ..... D9/414-432,  
D9/748-762, 449, 456; D7/601-602, 629;  
206/484-484.2, 518, 557, 459.1, 524.3; 220/287,  
220/556, 241-242, 780-781, 350; D3/312  
See application file for complete search history.

(56) **References Cited**

**U.S. PATENT DOCUMENTS**

96,782 A 11/1869 Davidson

(Continued)

**FOREIGN PATENT DOCUMENTS**

EP 0880455 4/2001

(Continued)

*Primary Examiner*—Robert M. Spear  
*Assistant Examiner*—Susan E Krakower  
(74) *Attorney, Agent, or Firm*—Jacobson Holman PLLC

(57) **CLAIM**

The ornamental design for a collapsible container, as shown and described.

**DESCRIPTION**

FIG. 1 is a side perspective view of a first embodiment of a collapsible container;

FIG. 2 is a perspective view of the first embodiment of the collapsible container;

FIG. 3 is a top plan view of the first embodiment of the collapsible container;

FIG. 4 is a bottom plan view of the first embodiment of the collapsible container;

FIG. 5 is a side perspective view of a second embodiment of the collapsible container;

FIG. 6 is a top plan view of the second embodiment of the collapsible container;

FIG. 7 is a bottom view of the second embodiment of the collapsible container;

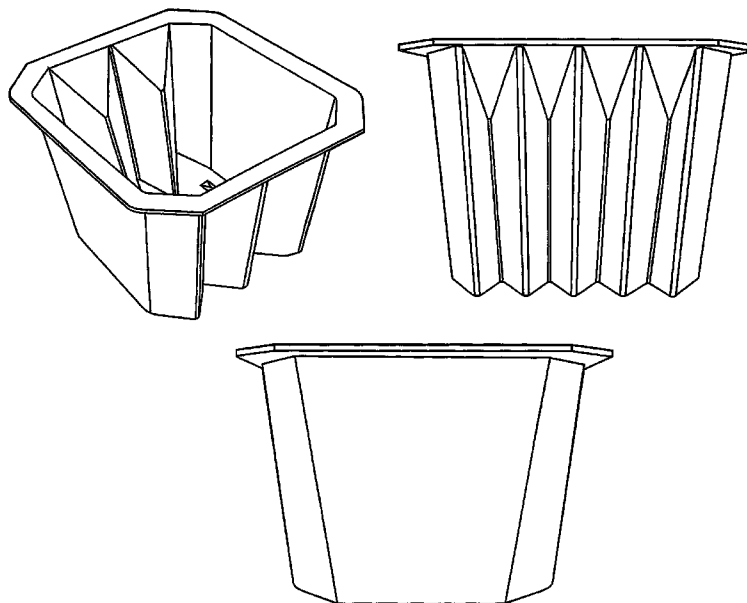
FIG. 8 is a side perspective of a third embodiment of the collapsible container;

FIG. 9 is a top plan view of the third embodiment of the collapsible container;

FIG. 10 is a bottom plan view of the third embodiment of the collapsible container; and,

FIG. 11 is a front view of the above three embodiments of the collapsible container.

**1 Claim, 11 Drawing Sheets**



U.S. PATENT DOCUMENTS

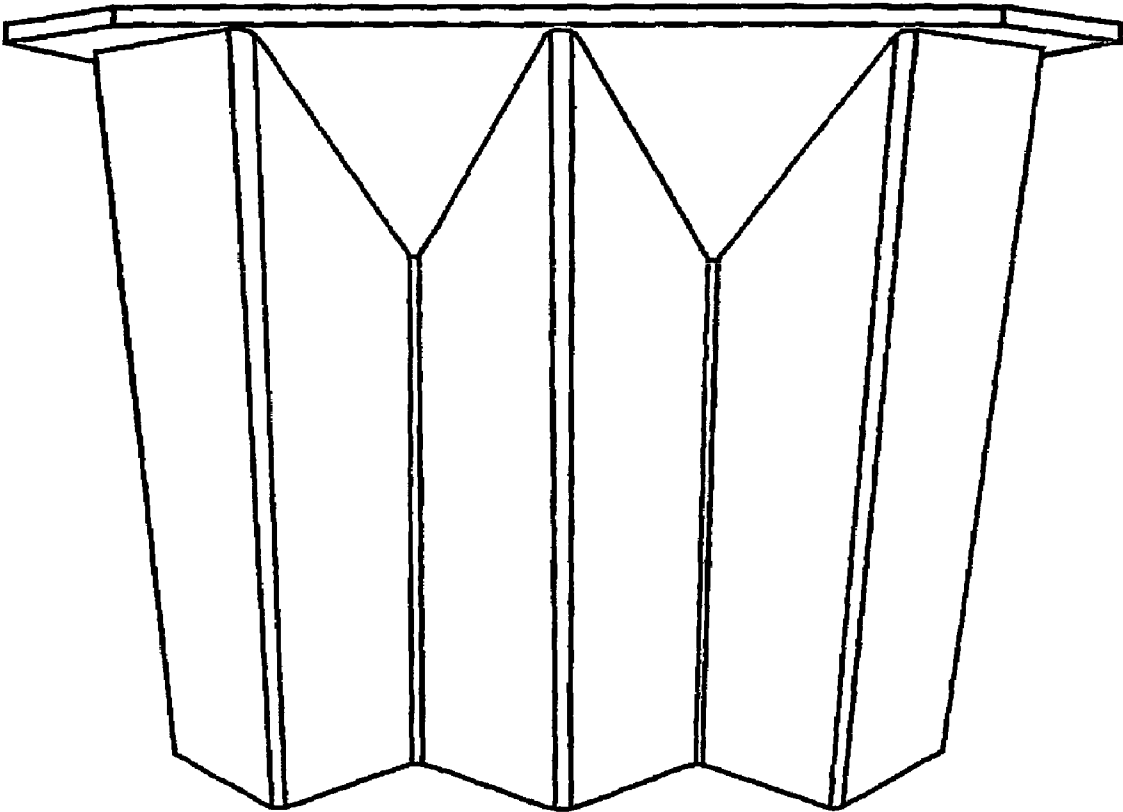
196,392 A 10/1877 Smith  
 197,584 A 11/1877 Angamar  
 219,959 A 9/1879 Leibold  
 227,083 A 4/1880 White  
 251,586 A 12/1881 Hendricks  
 253,168 A 1/1882 Miller  
 275,886 A 4/1883 Cochran  
 276,025 A 4/1883 Goettel et al.  
 280,489 A 7/1883 Lindemann  
 283,789 A 7/1883 Kelly  
 288,295 A 11/1883 Barth  
 326,412 A 9/1885 Eddington  
 341,461 A 5/1886 Dicus  
 342,896 A 6/1886 Brown  
 346,741 A 8/1886 Elliott  
 352,454 A 11/1886 Dungan  
 353,997 A 12/1886 Weimer  
 361,511 A 4/1887 Harford  
 370,345 A 9/1887 Luyster  
 378,734 A 2/1888 Smith  
 380,381 A 4/1888 Berry  
 385,784 A 7/1888 Wilkins  
 392,881 A 11/1888 Prefontaine  
 409,485 A 8/1889 McDonald  
 443,509 A 12/1890 English  
 504,325 A 9/1893 Case  
 513,383 A 1/1894 English et al.  
 1,738,779 A 12/1929 Lockwood  
 2,725,087 A \* 11/1955 Potter ..... 206/598  
 3,078,986 A 2/1963 Ushkow  
 D197,584 S \* 2/1964 Nascher et al. .... D9/425  
 3,180,555 A \* 4/1965 Barrett ..... 229/101  
 3,357,625 A \* 12/1967 Malmgren ..... 229/407  
 3,483,908 A 12/1969 Donovan  
 D227,083 S \* 6/1973 Anderson et al. .... D9/416  
 3,826,409 A 7/1974 Chilcoate ..... 222/107

D233,628 S \* 11/1974 Dunning ..... D14/435  
 3,939,887 A 2/1976 Scarnato ..... 150/0.5  
 D246,561 S \* 12/1977 Stahel ..... D7/629  
 4,394,906 A 7/1983 Hollenbeck ..... 206/525  
 4,442,969 A 4/1984 Holden ..... 229/2.5  
 D275,886 S \* 10/1984 Sheward et al. .... D24/227  
 D276,025 S \* 10/1984 Hexamer ..... D9/425  
 D288,295 S \* 2/1987 Holden ..... D9/425  
 4,773,458 A 9/1988 Touzani ..... 150/55  
 4,792,086 A 12/1988 Chen ..... 229/117  
 D341,461 S \* 11/1993 Davidson et al. .... D3/312  
 D352,454 S \* 11/1994 Krupa ..... D9/425  
 5,460,324 A 10/1995 Vinther  
 D392,881 S \* 3/1998 Bulcher et al. .... D9/425  
 5,975,411 A \* 11/1999 Windolph, III ..... 229/101  
 D443,359 S \* 6/2001 Nantel ..... D9/425  
 D446,719 S \* 8/2001 Garraway ..... D9/425  
 6,315,151 B1 \* 11/2001 Hupp et al. .... 220/666  
 D485,755 S \* 1/2004 Isler et al. .... D9/425  
 D513,383 S \* 1/2006 Glander et al. .... D9/435

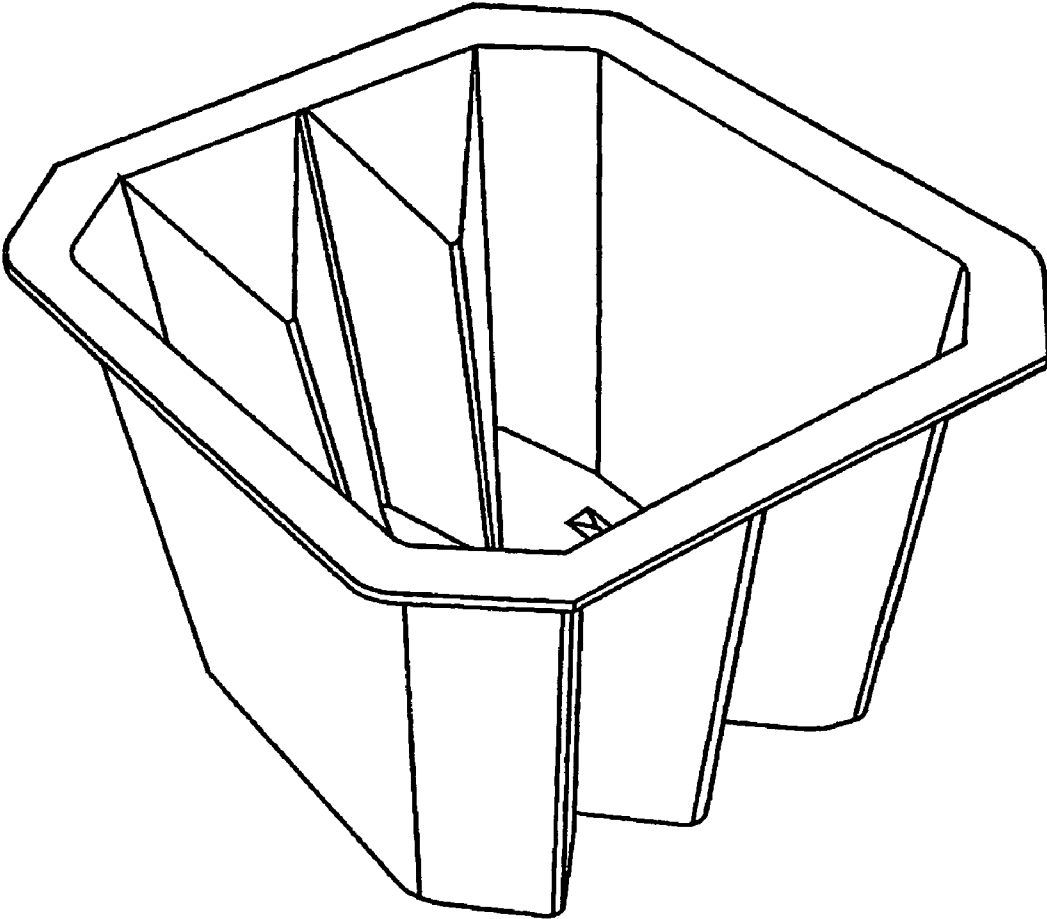
FOREIGN PATENT DOCUMENTS

EP 1323638 7/2003  
 EP 1502867 2/2005  
 GB 798338 7/1958  
 JP 20159233 6/2000  
 JP 20296827 10/2000  
 JP 21114284 4/2001  
 WO 9012741 11/1990  
 WO 9316926 9/1993  
 WO 9627527 9/1996  
 WO 9836978 8/1998  
 WO 0003923 1/2000  
 WO 2006117178 11/2006  
 ZA 893383 1/1990

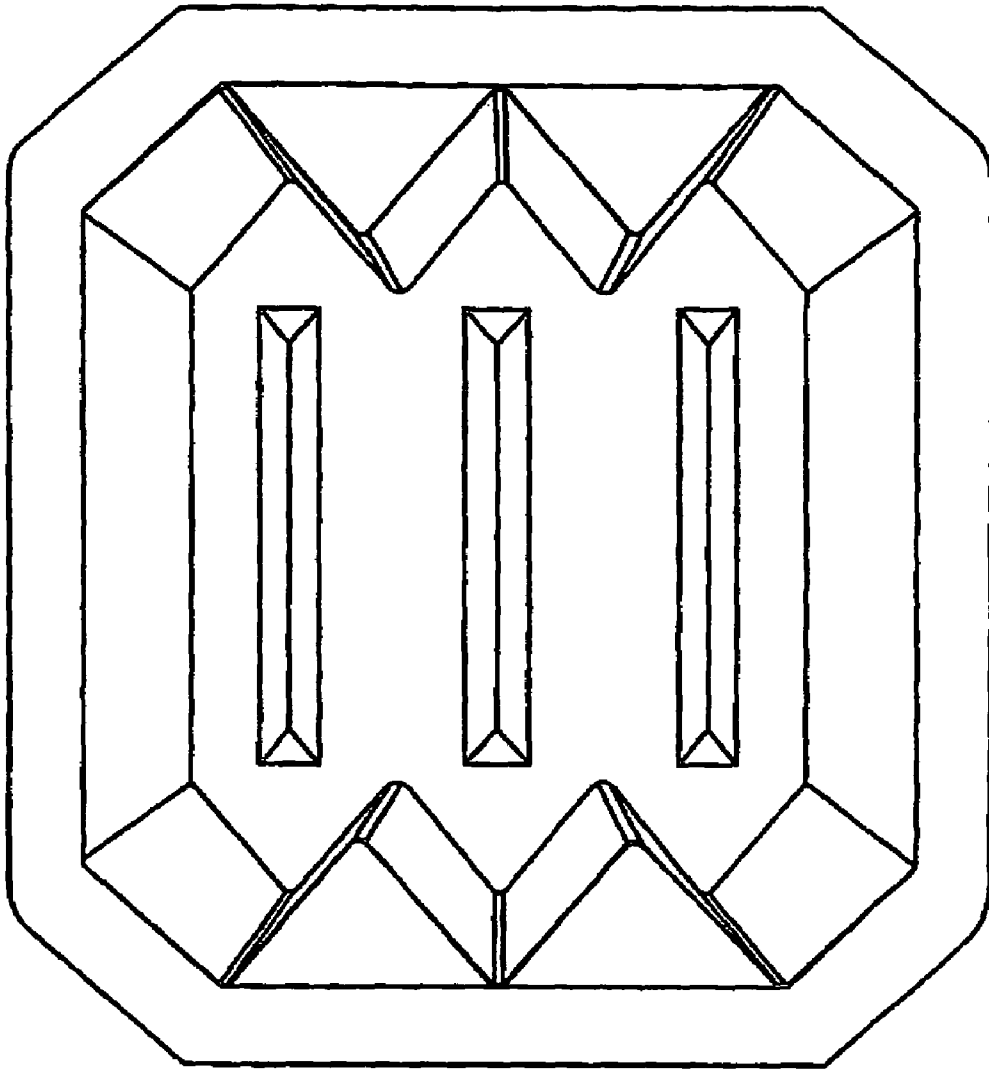
\* cited by examiner



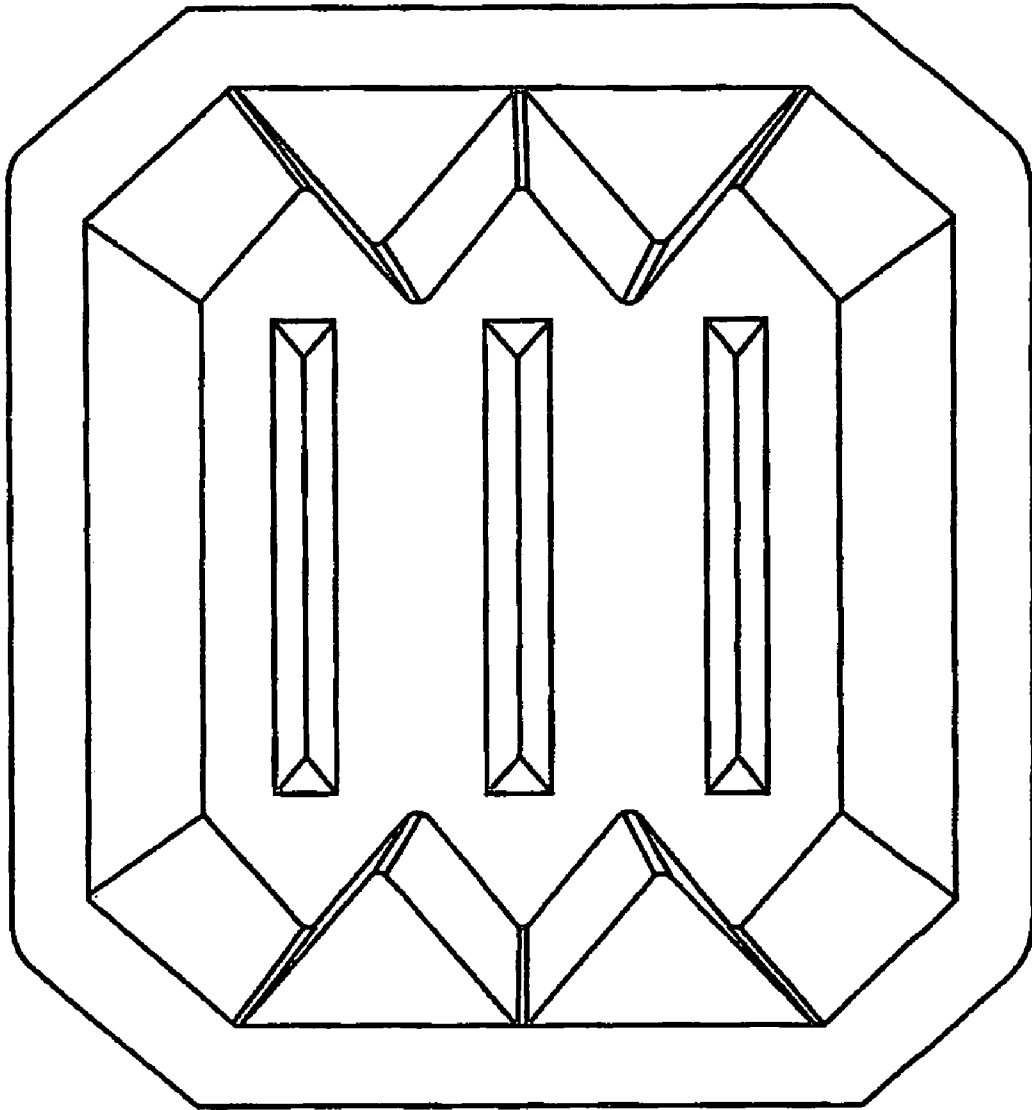
**FIGURE 1**



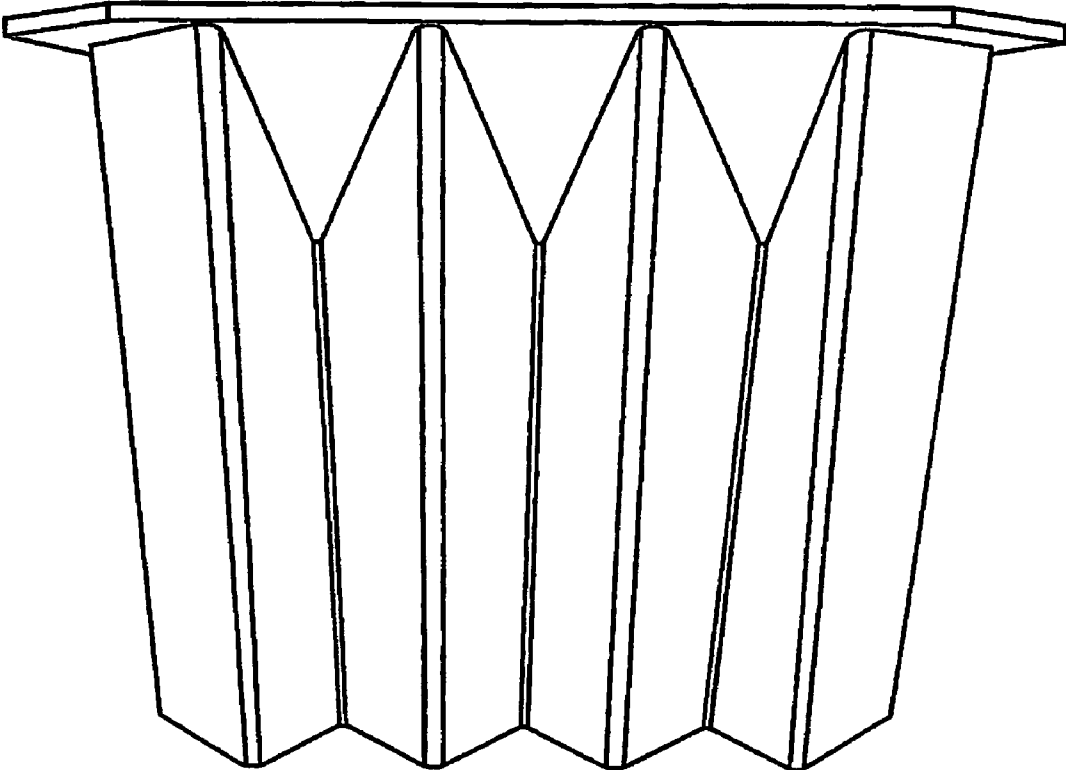
**FIGURE 2**



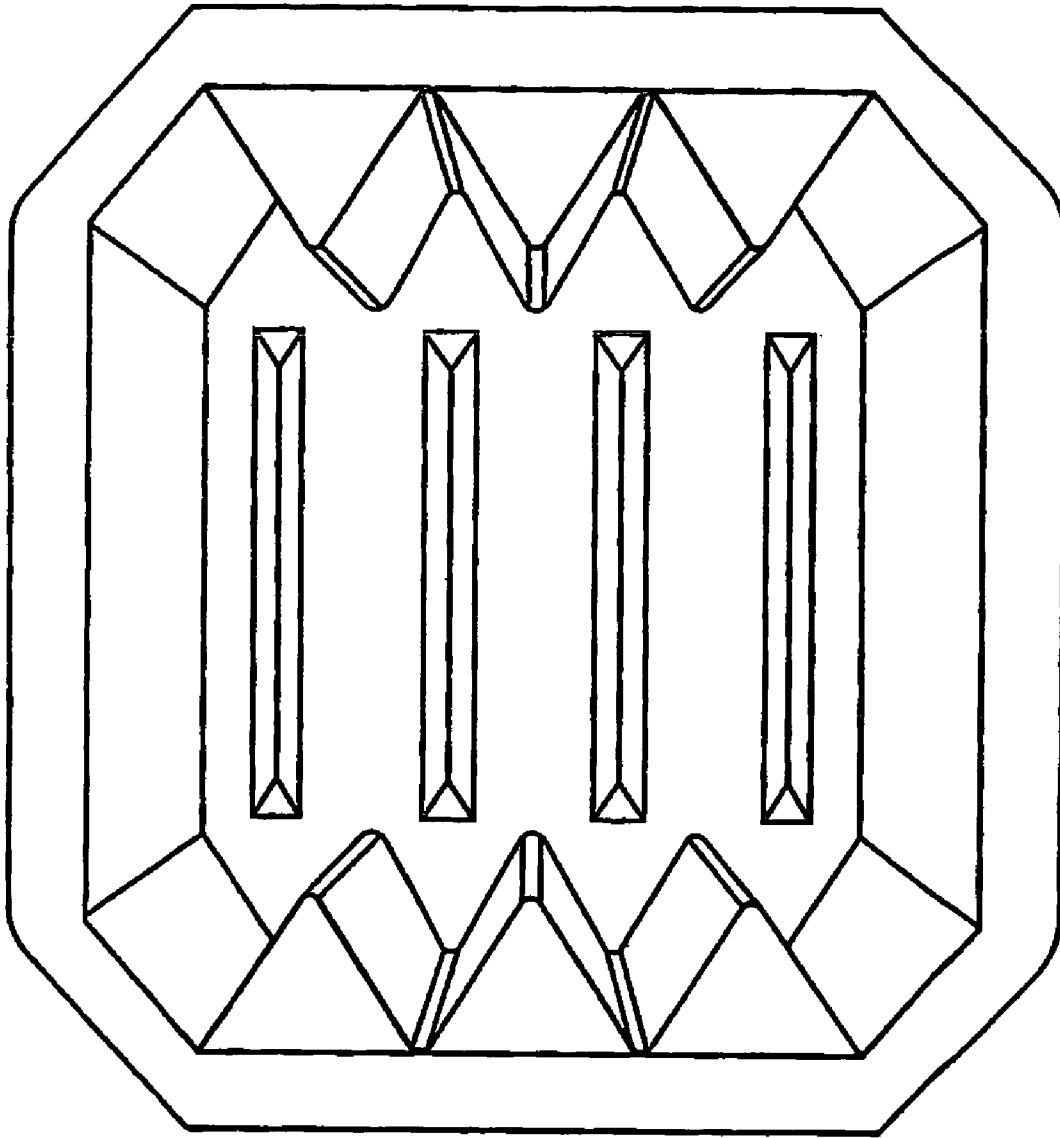
**FIGURE 3**



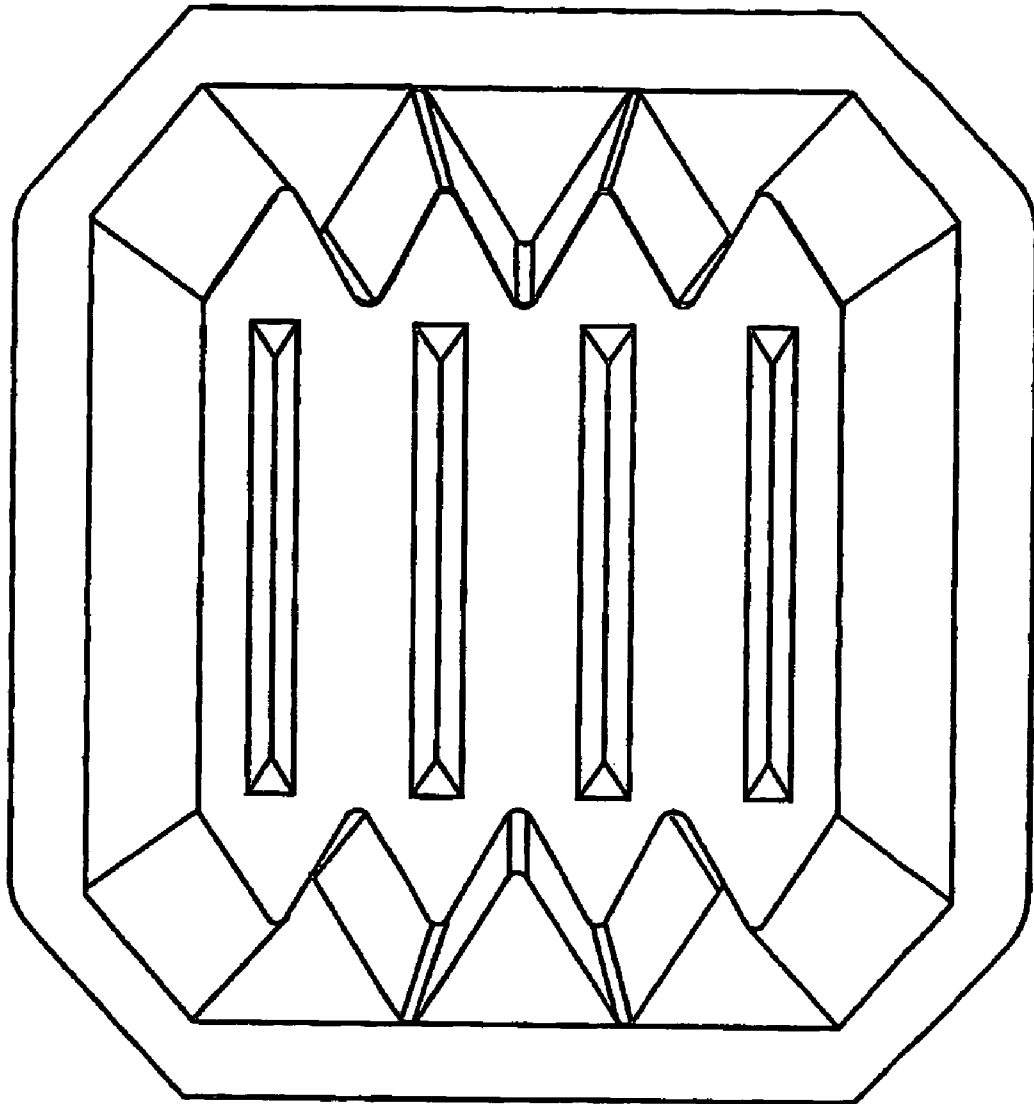
**FIGURE 4**



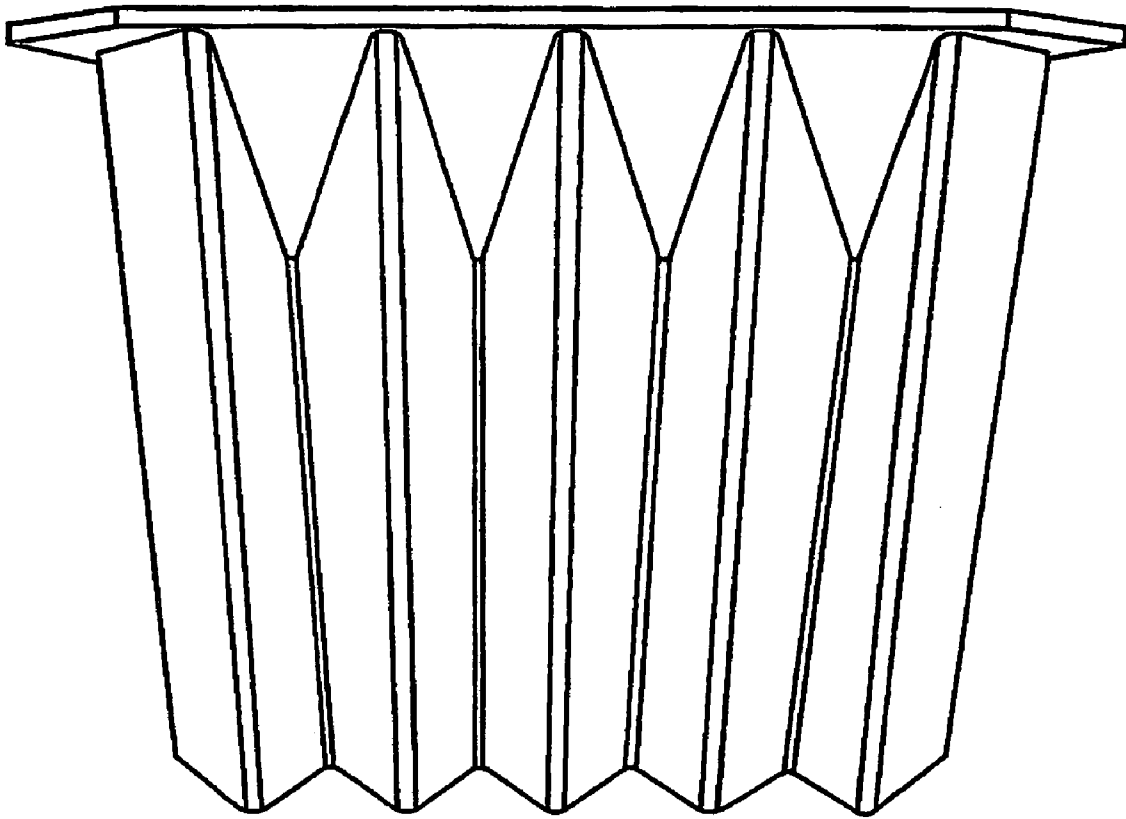
**FIGURE 5**



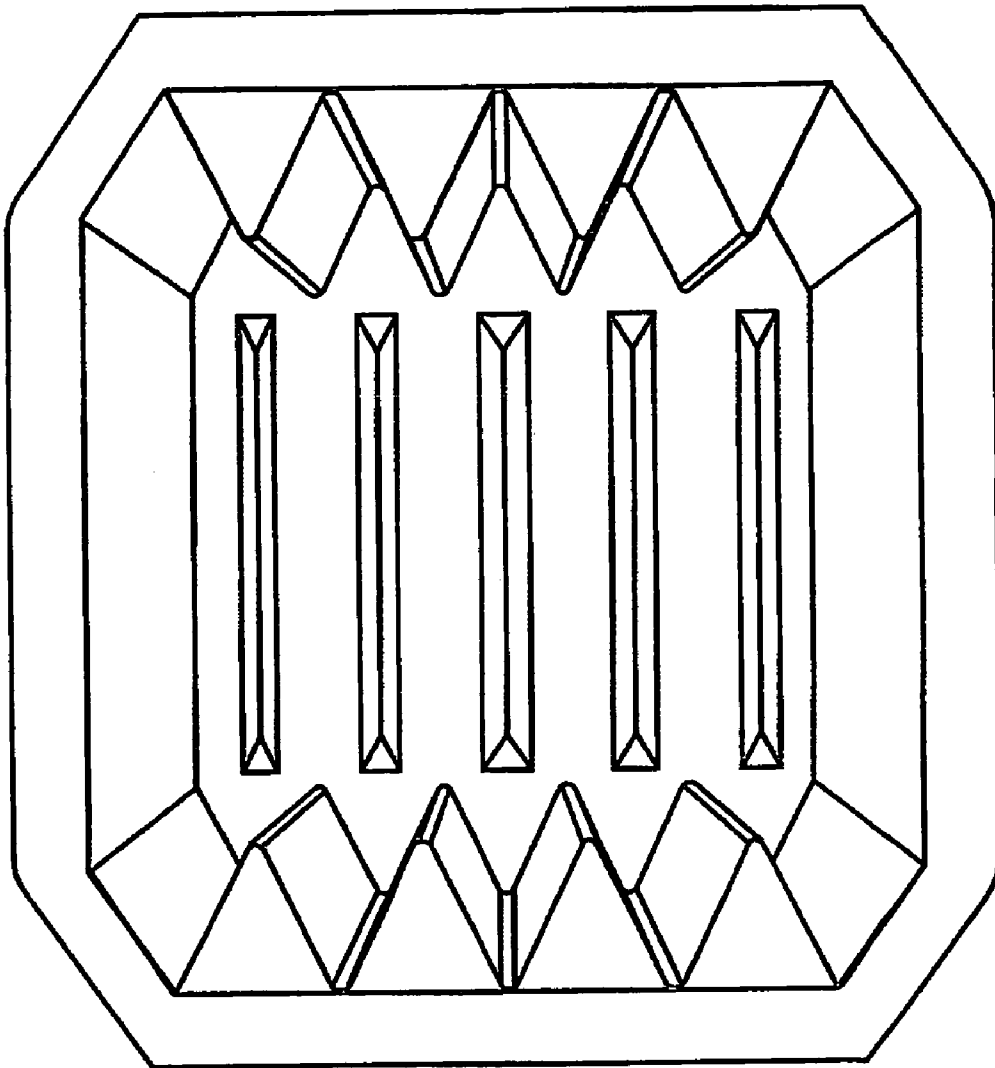
**FIGURE 6**



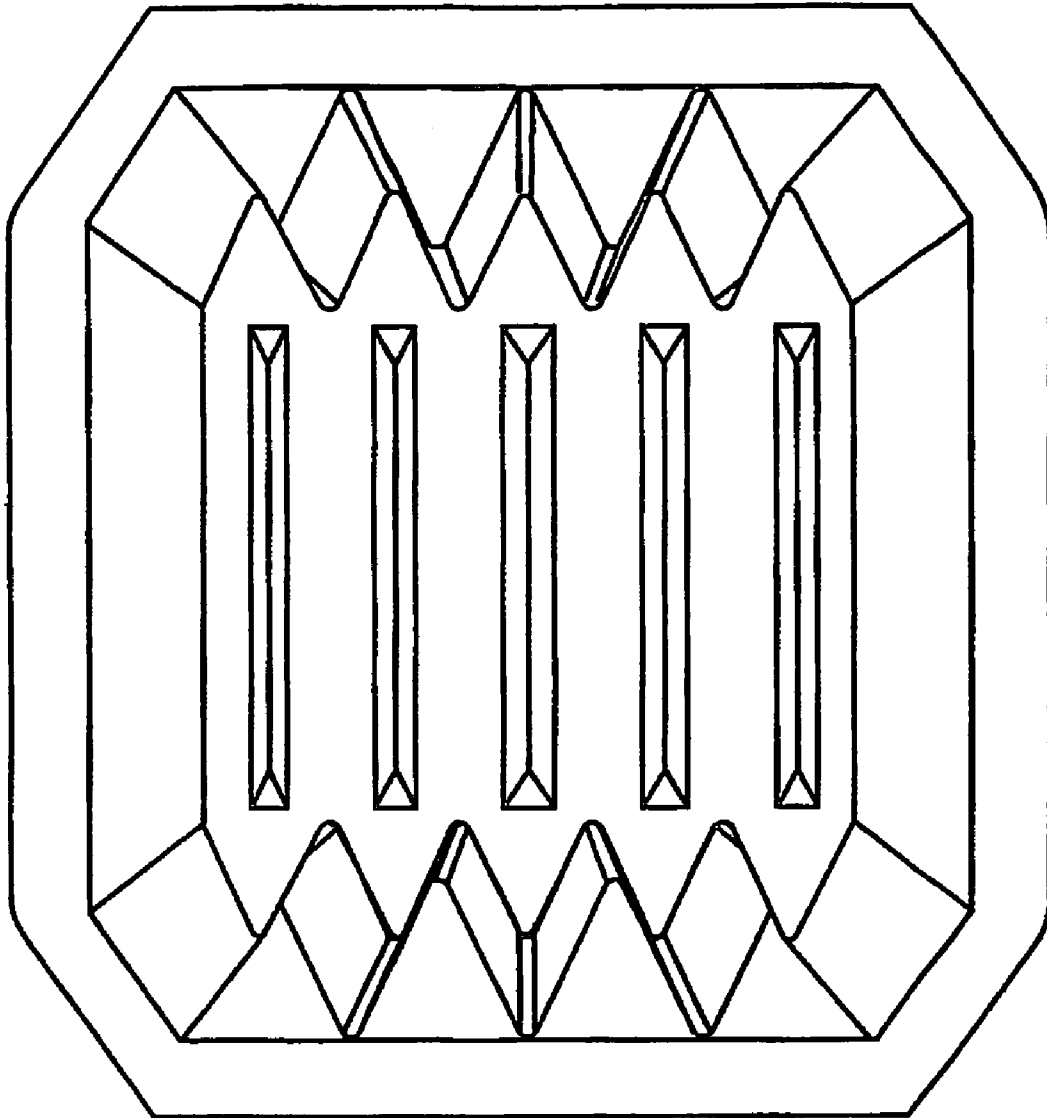
**FIGURE 7**



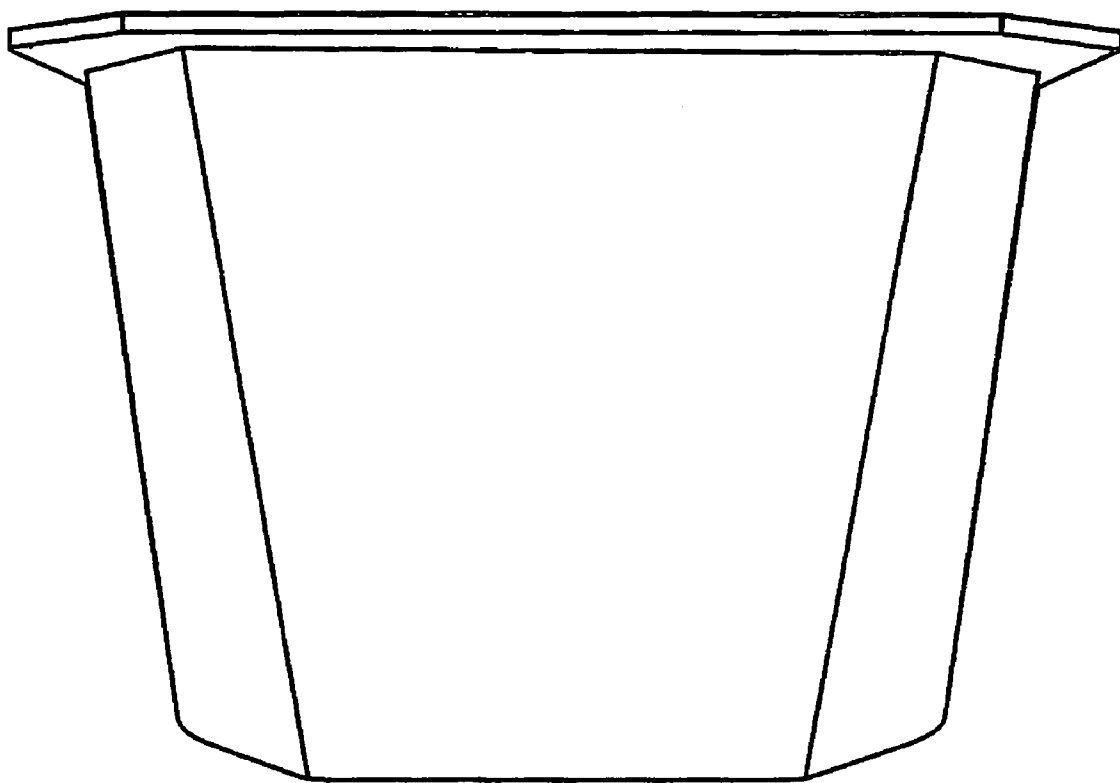
**FIGURE 8**



**FIGURE 9**



**FIGURE 10**



**FIGURE 11**