



US00D516424S

(12) **United States Design Patent**  
**Schweigert et al.**

(10) **Patent No.:** **US D516,424 S**

(45) **Date of Patent:** **\*\* Mar. 7, 2006**

(54) **DISPOSABLE BEVERAGE CUP LID**

(75) Inventors: **Heidi B. Schweigert**, Seattle, WA (US);  
**Jonathan C. Cannell**, North Bend, WA  
(US); **Carol A. Baker**, Seattle, WA  
(US)

(73) Assignee: **Starbucks Corporation**, Seattle, WA  
(US)

(\*\*) Term: **14 Years**

(21) Appl. No.: **29/218,226**

(22) Filed: **Nov. 30, 2004**

(51) **LOC (8) Cl.** ..... **09-07**

(52) **U.S. Cl.** ..... **D9/447**

(58) **Field of Classification Search** ..... D9/454,  
D9/449, 447, 445, 439, 438, 435, 452, 453,  
D9/450; D7/638, 511, 510, 392, 392.1; D3/323;  
220/270-271, 709, 718, 781, 575, 715, 719;  
215/254

See application file for complete search history.

(56) **References Cited**

**U.S. PATENT DOCUMENTS**

D212,843 S	*	12/1968	Hart et al.	.....	D9/452
4,589,569 A		5/1986	Clements		
4,615,459 A		10/1986	Clements		
D287,919 S		1/1987	Clements		
D299,010 S	*	12/1988	Wall	.....	D9/454
5,139,163 A	*	8/1992	Diaz	.....	D9/438
5,398,843 A		3/1995	Warden et al.		

5,509,568 A		4/1996	Warden et al.		
D379,928 S		6/1997	Freek et al.		
D402,556 S		12/1998	Frye		
D417,845 S		12/1999	Sadlier et al.		
5,996,837 A	*	12/1999	Freek et al.	.....	220/713
D437,223 S	*	2/2001	Coy et al.	.....	D9/447
D476,566 S	*	7/2003	Smith et al.	.....	D9/447
D476,891 S		7/2003	Clarke et al.		
D480,968 S	*	10/2003	Atkins et al.	.....	D9/449
6,824,003 B1	*	11/2004	Wong	.....	220/719
2005/0173443 A1	*	8/2005	Crudgington	.....	220/713

\* cited by examiner

*Primary Examiner*—Robert M. Spear

*Assistant Examiner*—Susan Bennett Hattan

(74) *Attorney, Agent, or Firm*—Christensen O'Connor  
Johnson Kindness PLLC

(57) **CLAIM**

The ornamental design for a disposable beverage cup lid, as shown and described.

**DESCRIPTION**

FIG. 1 is a perspective view of the disposable beverage cup lid of our design;

FIG. 2 is a top view thereof;

FIG. 3 is a bottom view thereof; and

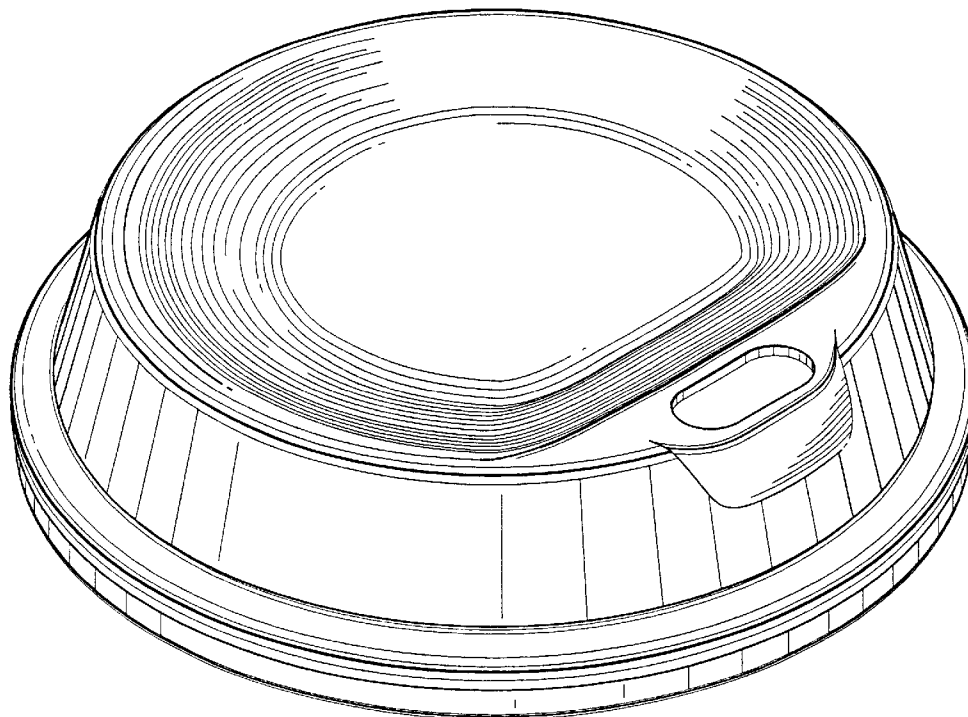
FIG. 4 is a front view thereof;

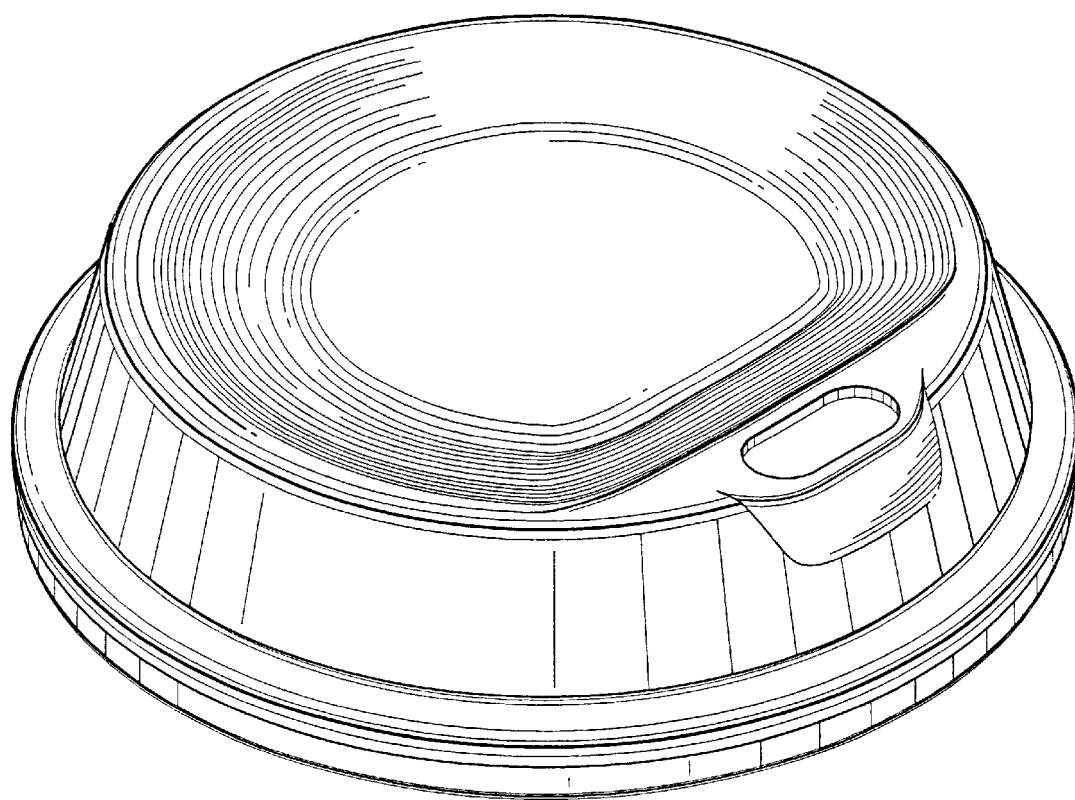
FIG. 5 is a left side view thereof;

FIG. 6 is a back view thereof; and,

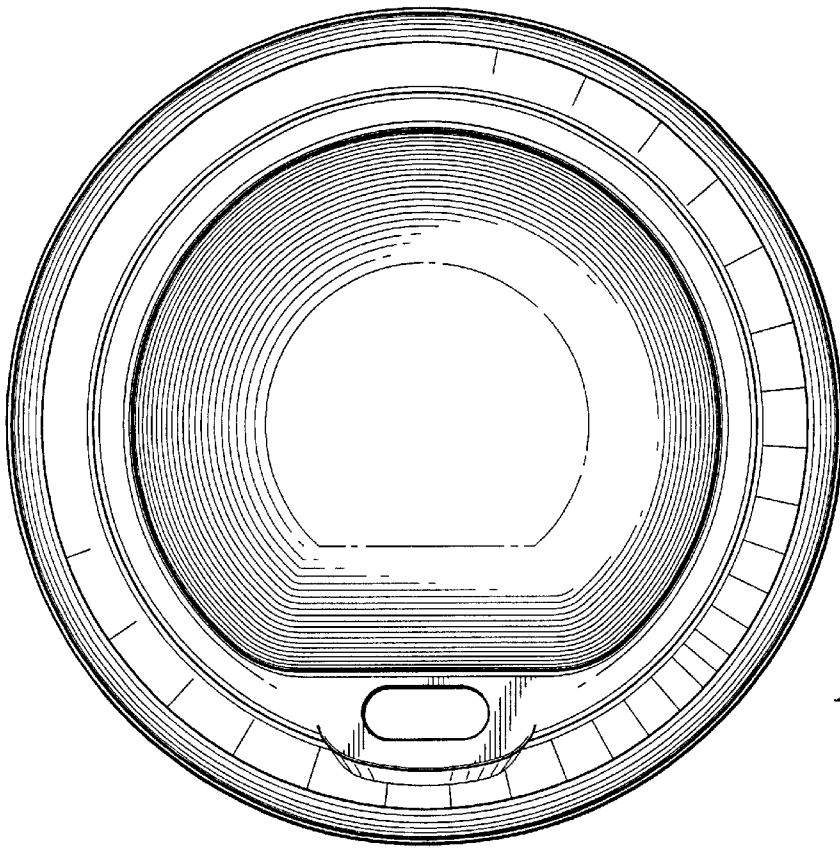
FIG. 7 is a right side view thereof.

**1 Claim, 3 Drawing Sheets**

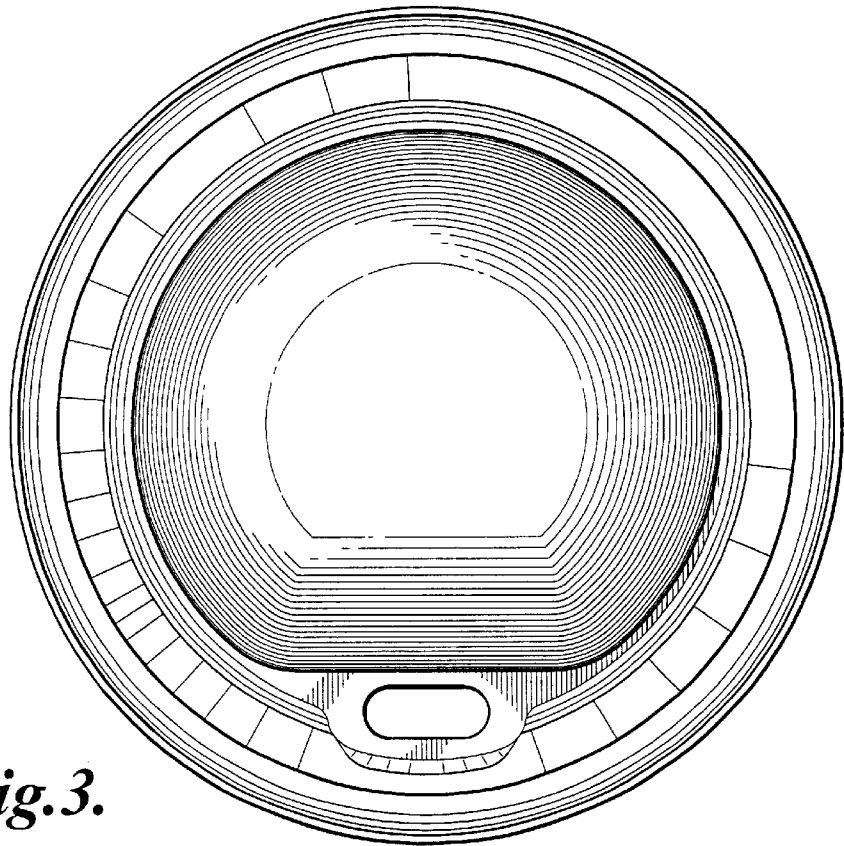




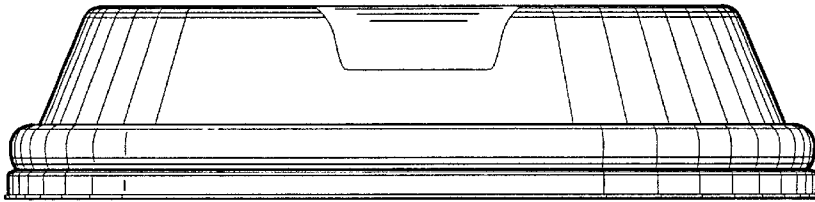
*Fig.1.*



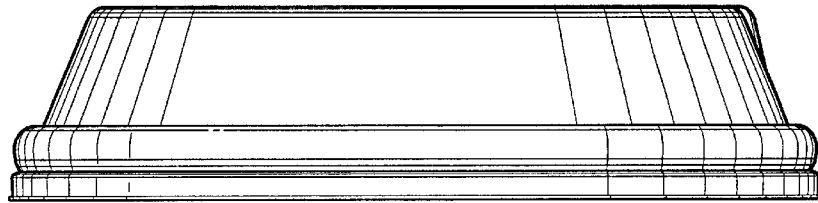
*Fig. 2.*



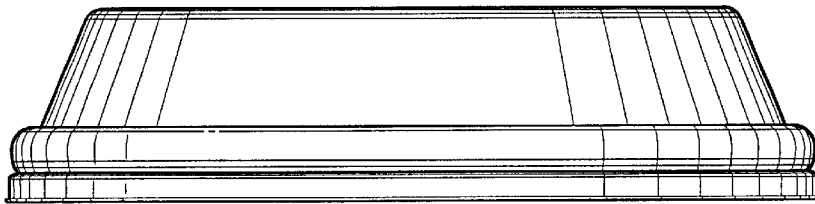
*Fig. 3.*



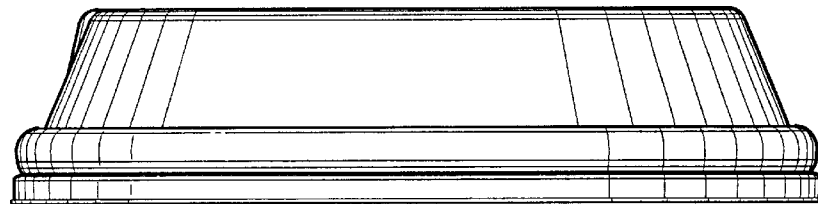
*Fig. 4.*



*Fig. 5.*



*Fig. 6.*



*Fig. 7.*