



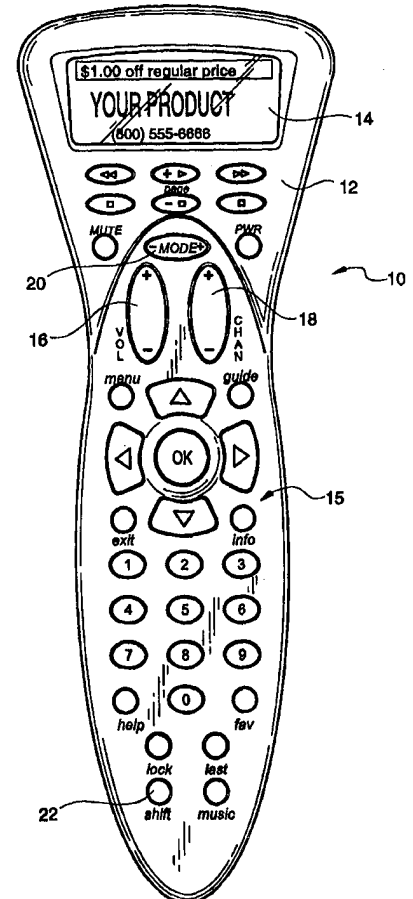
INTERNATIONAL APPLICATION PUBLISHED UNDER THE PATENT COOPERATION TREATY (PCT)

<p>(51) International Patent Classification ⁶ : G06F 3/147, H04N 7/173</p>	<p>A1</p>	<p>(11) International Publication Number: WO 98/43158 (43) International Publication Date: 1 October 1998 (01.10.98)</p>
<p>(21) International Application Number: PCT/US98/05775 (22) International Filing Date: 23 March 1998 (23.03.98) (30) Priority Data: 08/823,507 24 March 1997 (24.03.97) US 08/999,716 6 October 1997 (06.10.97) US (71) Applicant (for all designated States except US): EVOLVE PRODUCTS, INC. [US/US]; 6 Jenner Street #130, Irvine, CA 92618 (US). (72) Inventors; and (75) Inventors/Applicants (for US only): DARBEE, Paul [US/US]; 6 Jenner Street #130, Irvine, CA 92618 (US). THOMPSON, Brandt [US/US]; 6 Jenner Street #130, Irvine, CA 92618 (US). O'DONNELL, Frank [US/US]; 6 Jenner Street #130, Irvine, CA 92618 (US). (74) Agent: VIGIL, Thomas, R.; Vigil & Associates, 836 S. Northwest Highway, Barrington, IL 60010 (US).</p>	<p>(81) Designated States: AL, AM, AT, AU, AZ, BA, BB, BG, BR, BY, CA, CH, CN, CU, CZ, DE, DK, EE, ES, FI, GB, GE, GH, GM, GW, HU, ID, IL, IS, JP, KE, KG, KP, KR, KZ, LC, LK, LR, LS, LT, LU, LV, MD, MG, MK, MN, MW, MX, NO, NZ, PL, PT, RO, RU, SD, SE, SG, SI, SK, SL, TJ, TM, TR, TT, UA, UG, US, UZ, VN, YU, ZW, ARIPO patent (GH, GM, KE, LS, MW, SD, SZ, UG, ZW), Eurasian patent (AM, AZ, BY, KG, KZ, MD, RU, TJ, TM), European patent (AT, BE, CH, DE, DK, ES, FI, FR, GB, GR, IE, IT, LU, MC, NL, PT, SE), OAPI patent (BF, BJ, CF, CG, CI, CM, GA, GN, ML, MR, NE, SN, TD, TG). Published <i>With international search report.</i></p>	

(54) Title: TWO-WAY REMOTE CONTROL WITH ADVERTISING DISPLAY

(57) Abstract

The remote control includes a visual display, first wireless circuitry for receiving from a host device data in the form of selected information, e.g., an advertisement, to be displayed, stored or processed, second wireless circuitry for sending information, control circuitry and software for controlling operation of the remote control, and the software including a display default routine for returning to the display of the selected information received by the first wireless circuitry.



FOR THE PURPOSES OF INFORMATION ONLY

Codes used to identify States party to the PCT on the front pages of pamphlets publishing international applications under the PCT.

AL	Albania	ES	Spain	LS	Lesotho	SI	Slovenia
AM	Armenia	FI	Finland	LT	Lithuania	SK	Slovakia
AT	Austria	FR	France	LU	Luxembourg	SN	Senegal
AU	Australia	GA	Gabon	LV	Latvia	SZ	Swaziland
AZ	Azerbaijan	GB	United Kingdom	MC	Monaco	TD	Chad
BA	Bosnia and Herzegovina	GE	Georgia	MD	Republic of Moldova	TG	Togo
BB	Barbados	GH	Ghana	MG	Madagascar	TJ	Tajikistan
BE	Belgium	GN	Guinea	MK	The former Yugoslav Republic of Macedonia	TM	Turkmenistan
BF	Burkina Faso	GR	Greece	ML	Mali	TR	Turkey
BG	Bulgaria	HU	Hungary	MN	Mongolia	TT	Trinidad and Tobago
BJ	Benin	IE	Ireland	MR	Mauritania	UA	Ukraine
BR	Brazil	IL	Israel	MW	Malawi	UG	Uganda
BY	Belarus	IS	Iceland	MX	Mexico	US	United States of America
CA	Canada	IT	Italy	NE	Niger	UZ	Uzbekistan
CF	Central African Republic	JP	Japan	NL	Netherlands	VN	Viet Nam
CG	Congo	KE	Kenya	NO	Norway	YU	Yugoslavia
CH	Switzerland	KG	Kyrgyzstan	NZ	New Zealand	ZW	Zimbabwe
CI	Côte d'Ivoire	KP	Democratic People's Republic of Korea	PL	Poland		
CM	Cameroon	KR	Republic of Korea	PT	Portugal		
CN	China	KZ	Kazakstan	RO	Romania		
CU	Cuba	LC	Saint Lucia	RU	Russian Federation		
CZ	Czech Republic	LI	Liechtenstein	SD	Sudan		
DE	Germany	LK	Sri Lanka	SE	Sweden		
DK	Denmark	LR	Liberia	SG	Singapore		
EE	Estonia						

**TWO-WAY REMOTE CONTROL WITH ADVERTISING DISPLAY
BACKGROUND OF THE INVENTION**

1. Field of the Invention.

The present invention relates to an interactive two-way remote control having
5 an advertising display on a visual display of the remote control and circuitry for
maintaining the advertising display on the visual display when the remote control is
in a quiescent state.

**2. Description of the related art including information disclosed under
37 CFR §§ 1.97-1.99.**

10 Hand held remote controls are normally battery operated devices capable of
sending control commands wirelessly (using IR or RF) in one direction only, from the
handset to the controlled device. Even when the handset is fitted with a display, the
display typically is used only for enhancing the user interface on the remote control
itself, for instance in displaying the status of the remote control or aiding in initial setup
15 of the remote control.

Heretofore, various systems have been proposed for the remote display of
information, such as the display of prices on the edge of a shelf in a supermarket or
information on the screen of a television set. Also, there have been proposed remote
control devices including key back-lighting, credit card and smart card readers and
20 built in modems or adapters for communicating with a modem. Several examples of
such previously proposed remote control devices and remote display systems are
disclosed in the following U.S. Patents:

	<u>U.S. Patent No.</u>	<u>Patentee</u>
	4,888,709	Revesz et al.
25	4,959,810	Darbee
	4,962,466	Revesz et al.
	5,204,768	Tsakiris et al.
	5,249,044	Von Kohorn
	5,285,278	Holman
30	5,287,181	Holman
	5,355,480	Smith et al.
	5,396,546	Remillard
	5,404,393	Remillard
	5,410,326	Goldstein

	5,416,535	Sato et al.
	5,450,079	Dunaway
	5,455,570	Cook et al.
	5,461,667	Remillard
5	5,497,185	Dufresne et al.
	5,502,504	Marshall et al.
	5,504,475	Houdou et al.
	5,532,689	Bueno
	5,537,107	Furnado
10	5,537,463	Escobosa et al.
	5,539,393	Barfod
	5,552,837	Mankovitz
	5,566,353	Cho et al.
	5,568,367	Park
15	5,603,078	Henderson et al.
	5,576,768	Gomikawa
	5,604,923	Wilkus
	<u>PCT Patent Publication</u>	<u>Applicant</u>
	WO 93/12612	Yuen at al.
20	WO 93/19427	Singer st al.
	WO 94/15417	Minimetrics Limited
	WO 95/32583	TV Guide On Screen
	WO 95/01056	Apple Computer, Inc.
	WO 95/01057	Apple Computer, Inc.
25	WO 95/01058	Apple Computer, Inc.
	WO 95/01059	Apple Computer, Inc.

SUMMARY OF THE INVENTION

The present invention is directed to a remote control with a display which is capable of wirelessly (via IR or RF) receiving information. Receiving information for updating remote control codes is taught in the Darbee et al. U.S. Patent No. 4,959,810. The present invention receives information for the purpose of advertising on the remote control. The advantage is that, in contrast to a television, the display on the remote control can always be on, meaning that the remote control can act as a coffee-table billboard, touting pay-per-view events, products, services, coupon

offers or any other advertising offers.

The advertising message on the remote control is an information payload, in the sense that an advertiser can be charged for time on the remote control's screen. It is important, therefore, that the entire display be available for the payload message
5 as much of the time as possible. The present invention uses a timer in the remote control to display the payload message within a certain interval after the user is finished using the remote control to control equipment.

One embodiment of the invention uses a motion detector to determine if the user has picked up the remote control, at which time a popup overlay of the payload
10 message can indicate the current status of the remote control. Such time- and space-sharing of the remote control's screen maximizes the exposure of the advertising message to the user.

When the remote control is used in conjunction with interactive applications running on a television settop box, the TV itself, or a computer, it is often important
15 that interactive advertising offers appearing during commercial program breaks not extend into the program proper. In this case, the display of the remote control can extend the time available to the user to respond to interactive offers by "trailing" the offer to the remote control's screen after the interactive ad has disappeared from the TV (or PC) screen and regular programming has resumed.

20 Many systems which a remote control can control are two-way themselves, meaning that information originating from the user can be read by or delivered to a "head end." Such systems allow transactions by the user, such as responses to advertising offers, merely by pressing a button on the remote control. In conjunction with such two-way media, the advertising offers can appear on the same remote
25 control that generates a user response, thus bypassing the TV or PC as a display device.

In the case where the delivery medium for advertising to the remote control is not two-way, a "bypass" system can be provided for return signals to a central computer. For instance, a low-cost radio transmitter in the remote control can send
30 data to an autodialer modem connected to the user's phone line. User responses to advertising offers can then be sent by phone to a central computer.

Cable, satellite, or broadcast TV are the normal means for transporting information to the remote control, using receiving circuitry in the settop box or the TV itself, along with an IR or RF wireless link to the remote control. However, bypass of

the cable, satellite, or broadcast TV downstream link to the remote control is also possible, using a paging network, FM SCA data on a radio station, a modem with a wireless link to the remote control, or a wireless link to a computer which is in turn connected to a remote network.

5 The fact that the display on the remote control can always be active and readable, whether or not the TV or PC are turned on, is an important extension of the exposure of the user to advertising offers.

To accommodate the narrow bandwidth usually available on the wireless link between the sending device and the remote control, images can be compressed
10 before being sent to the remote control. Either the bitmapped images can be compressed using any one of several well-known compression algorithms, such as JPEG, or drawing commands can be sent to a GDI (graphics device interface) running in the remote control.

By allowing the remote control to receive executable code as well as static
15 images, the remote control can display animated graphics, run interactive sessions with the user, or upgrade its own software to enhance its usefulness.

Thus, according to the present invention there is provided a remote control including a visual display, first wireless circuitry for receiving from a host device data including selected information to be displayed, second wireless circuitry for sending
20 information, control circuitry and software for controlling operation of the remote control, and the software including a timeout routine and a display default routine for returning to the display the display of selected information received by the first wireless circuitry.

BRIEF DESCRIPTION OF THE DRAWINGS

25 FIG. 1 is a top plan view of a remote control constructed according to the teachings of the present invention and having a visual display for displaying an advertisement.

FIG. 2 is a block schematic diagram of the electrical circuitry for the remote control shown in FIG. 1.

30 FIGS. 3A-3D are a more detailed electrical schematic circuit diagram of the electrical circuitry shown in FIG. 2.

FIG. 4 is a block schematic diagram of the keyboard circuit employed in the remote control shown in FIG. 1.

FIG. 5 is a flow chart of the basic operating subroutines of the remote control

shown in FIG. 1 and shows a default procedure from each subroutine, namely a five minute timeout back to the display of an advertisement on the visual display of the remote control.

FIG. 6 is a flow chart of the "SHIFT" subroutine shown in FIG. 5.

5 FIG. 7 is a flow chart of the "MODE" subroutine C shown in FIG. 5.

FIG. 8 is a flow chart of the "LOW BATTERY" subroutine shown in FIG. 5.

DESCRIPTION OF THE PREFERRED EMBODIMENT(S)

Referring now to FIG. 1 in greater detail, there is illustrated therein a remote control 10 constructed according to the teachings of the present invention which
10 includes, on a top panel 12 thereof an LCD visual display 14, and a keyboard 15 including a volume Up and Down button 16, a channel Up and Down button 18, a MODE button 20, and a SHIFT button 22, among others.

Referring now to FIG. 2, the remote control 10 includes electrical circuitry 26 comprising a microcontroller or microprocessor 28 supplied by a power supply 30 and
15 supervisory circuits 31 including batteries 32 which is also connected to an IR transmitting circuit 34 and receiving circuit 35.

Also connected to the microprocessor 28 is an EEPROM 36 and a keyboard circuit 38.

A ROM/RAM circuit 40 is coupled to a bus 42 that is connected to the
20 microprocessor 28 and to an LCD driver circuit 44.

If desired, a motion detect circuit 46 can also be connected to the microprocessor 28.

In some embodiments an RF transceiver 48 is provided coupled to the microprocessor 28 and in some embodiments a sound or speech synthesizing chip
25 50 is provided connected to a speaker 51 and to the microprocessor 28

Further, a smart card or credit card reader 52 can be included in the remote control 10, if desired.

Still further, a vibrating mechanism 55 can be provided to produce tactile sensations from the remote control 10 to the user.

30 As shown in FIG's. 3A-3D, the supervisory circuits 31 include a reset circuit 53 and a power decoupling circuit 54. The electrical circuitry 26 further includes an oscillator 56 coupled to the microprocessor 28 and an RS 232 serial port 58.

In the operation of a remote control, such as the remote control 10, conventional operations are typically performed with the remote control 10.

The software protocol stored in the ROM/RAM 40 of the remote control 10 is illustrated in FIG. 5. where the visual display 14 is defined as a Graphical Home Screen.

According to the teachings of the present invention, the remote control 10 is
5 programmed so that an advertisement is displayed on this screen when the remote control 10 is not being used or is otherwise in a quiescent state.

In this respect, as shown in FIG. 5, when a key on the keyboard 15 is pressed, a determination is made as to which key has been pressed. If it is the Arrow Up or Down key, the program goes to subroutine A. If the key depressed is an IR sending
10 key, the program goes to subroutine B.

Then, if the key depressed is the SHIFT key, the program sets a shift flag. After the next key press, if the shift flag is set, the subroutine goes to the routine shown in FIG. 6 and sends the function associated with the shifted key, as shown. If the SHIFT key is held for five seconds, or depressed a second time, the remote
15 control 10 will go to a setup menu, such as setup menu of the type which is known in the field of control systems for television sets via remote controls. If not, the program goes to the MODE decision diamond in FIG. 5, as shown.

It is to be understood that an important feature of the present invention is the "restore screen after timeout sequence" which is shown at the end of each of the
20 subroutines A-G in FIG. 5 and at the end of the subroutine shown in FIG. 6.

Now, as shown in FIG. 7, when the MODE key is pressed, the remote control program goes to a cable box menu or a television menu or a VCR menu or auxiliary device menu and can be cycled through these menus upon depression of the MODE key, Up or Down, + -, as indicated.

Then, as shown in FIG. 5, if the batteries are low, a subroutine will go through
25 a "low battery sequence" which "pops up" a low battery message for three seconds while the key press is being processed.

The remote control 10 can be constructed, arranged and programmed to have or provide a number of features. For example, the software can maintain a display
30 of selected information on the visual display even when the remote control 10 is in a quiescent state or turned off.

It will be understood that the host device with which the remote control 10 communicates, either by IR (34, 35) or by RF (48), to receive or transmit information, can be a cable decoder box, a satellite decoder box, a telephone company decoder

box, a television set or a computer.

The wireless RF transmitting and receiving circuitry 48 can be constructed and arranged to receive RF data from a long range transmitting device such as a paging network, a FM/SCA, a cellular phone, digital communication systems such as PCS,
5 PDM, CDM or other RF transmitting device.

If desired, the remote control 10 can be constructed and arranged to exchange information with a modem and the intelligence for operating the modem can be in the remote control 10. See U.S. Patent No. 5,537,463 to Escobosa and Darbee.

The memory, RAM/ROM 40, of the remote control 10 can include a buffer
10 memory capable of storing information for being displayed under command from a realtime clock in the remote control 10 and the remote control 10 can include software and or hardware for querying the host device for date/time information.

The visual display 14 can be bistable, thereby requiring no refresh buffer and requiring no power to maintain an image on the visual display 14.

15 The information received from the host device can be in compressed form, can be in the form of drawing commands, such that the software includes instructions for executing the drawing commands by drawing an image on the visual display 14 and/or can be a subset of an electronic program guide for display on the visual display 14 of the remote control 10.

20 The software for detecting a low-battery condition can include instructions for displaying an advertisement to replace the batteries with a specific brand of battery.

If desired, back-lighting can be provide for illuminating the visual display 14 or the keys on the keyboard 15. See U.S. Patent No. 5,568,367 to Park.

25 Also, if desired, the remote control 10 can include circuitry 50, 51 for producing sound.

Further, the remote control 10 can include a reader 52 and associated circuitry for reading the magnetic stripe on a credit card or for reading or interfacing with a smart card containing a computer chip. See U.S. Patent No. 5,603,078 to Henderson et al. or U.S Patent No. 5,532,689 to Bueno.

30 The motion detect circuit 46 can be used to place the remote control 10 in a given state when it is picked up by a user.

The operating software for the remote control 10 can be programmed to cycle a buffer memory in the ROM/RAM 40 to display on the visual display 14 multiple categories of information.

The IR receiving circuit 34 can be constructed to receive light signals from a TV screen (VEIL technology) or other form of flashing from the TV screen using visible light (TIMEX technology).

The remote control 10 can including pointing device circuitry for moving a
5 cursor on the visual display 14 or a host display. See U.S.S.N. 08/605,546 for:
SYSTEM FOR PROVIDING WIRELESS POINTER CONTROL.

The visual display 14 can include a touch-sensitive display screen or touch sensitive pads/keys on the back of the hand held remote control 10 beneath the visual display 14. See Goldstein U.S. Patent No. 5,410,326.

10 An important feature of the remote control 10 disclosed herein is its ability to keep an advertisement on the display 10 and in front of a user. An ancillary feature is the ability of the remote control 10 not only to display the advertisement, but also to have an input, such as certain keys on the keyboard for enabling a user to respond to a displayed advertising offer via the wireless, IR or Rf communications link using
15 the certain keys.

The received, and perhaps displayed, information can comprise: advertising formatted the same way as a banner on a page on the world wide web; a "trailer" from an advertisement appearing on a host device, thus giving the user more time to respond to an offer in the advertisement; games which can be played on the remote
20 control 10; codes for upgrading the remote control 10; instructions for setting up the remote control 10; names of manufacturers electronic equipment to be controlled by the remote control 10 instead of model numbers or arbitrary code numbers; instructions for setting up the remote control 10 with the ability to display key labels indicating which function the remote control 10 is controlling when the user presses
25 a key on the keyboard 15 of the remote control 10; a user guide and/or context-sensitive help for display on the visual display 14 of the remote control 10; and, executable code to be run on the remote control 10.

From the foregoing description, it will be apparent that the two-way remote control 10 with advertising display of the present invention has a number of
30 advantages, some of which have been described above and others of which are inherent in the invention. Also it will be understood that modifications can be made to the remote control described above without departing from the teachings of the present invention. Accordingly, the scope of the invention is only to be limited as necessitated by the accompanying claims.

CLAIMS**We claim:**

1. A remote control including a visual display, wireless means for receiving from a host device data including selected information to be displayed, stored, or processed, wireless means for sending information, control means including software and circuitry for controlling operation of said remote control and means for maintaining said selected information displayed on said visual display when said remote control is not being used by a user to perform a function.
2. The remote control of claim 1 wherein said software maintains a display of said selected information on said display even when said remote control is in a quiescent state or turned off.
3. The remote control of claim 1 wherein the host device is selected from the group consisting essentially of: a cable decoder box; a satellite decoder box; a telephone company decoder box; a television set; or a computer.
4. The remote control of claim 1 wherein said wireless means for receiving data is constructed and arranged to receive RF data from a long range transmitting device such as a paging network, a FM/SCA, a cellular phone, PCS, or other RF transmitting device.
5. The remote control of claim 1 wherein said wireless means is constructed and arranged to exchange information with a modem.
6. The remote control of claim 1 including a buffer memory capable of storing information for being displayed under command from a realtime clock in said remote control.
7. The remote control of claim 1 wherein some of the information received comprise a subset of an electronic program guide for display on said visual display of said remote control.
8. The remote control of claim 1 including a keyboard and back-lighting means for illuminating said keyboard.
9. The remote control of claim 1 including means for producing sound.
10. The remote control of claim 1 including means for reading one of (a) the magnetic stripe on a credit card, or (b) a smart card containing a computer chip.
11. The remote control of claim 1 including a pointing device for moving one of (a) a cursor on a host display or (b) a cursor on said visual display.
12. The remote control of claim 1 including a display default routine and a

timeout routine for timing out the time after the last function performed with the remote control by a user thereof and then place the visual display in the display default routine for displaying said selected information.

13. The remote control of claim 1 wherein said selected information
5 displayed includes an advertisement.

FIG. 1

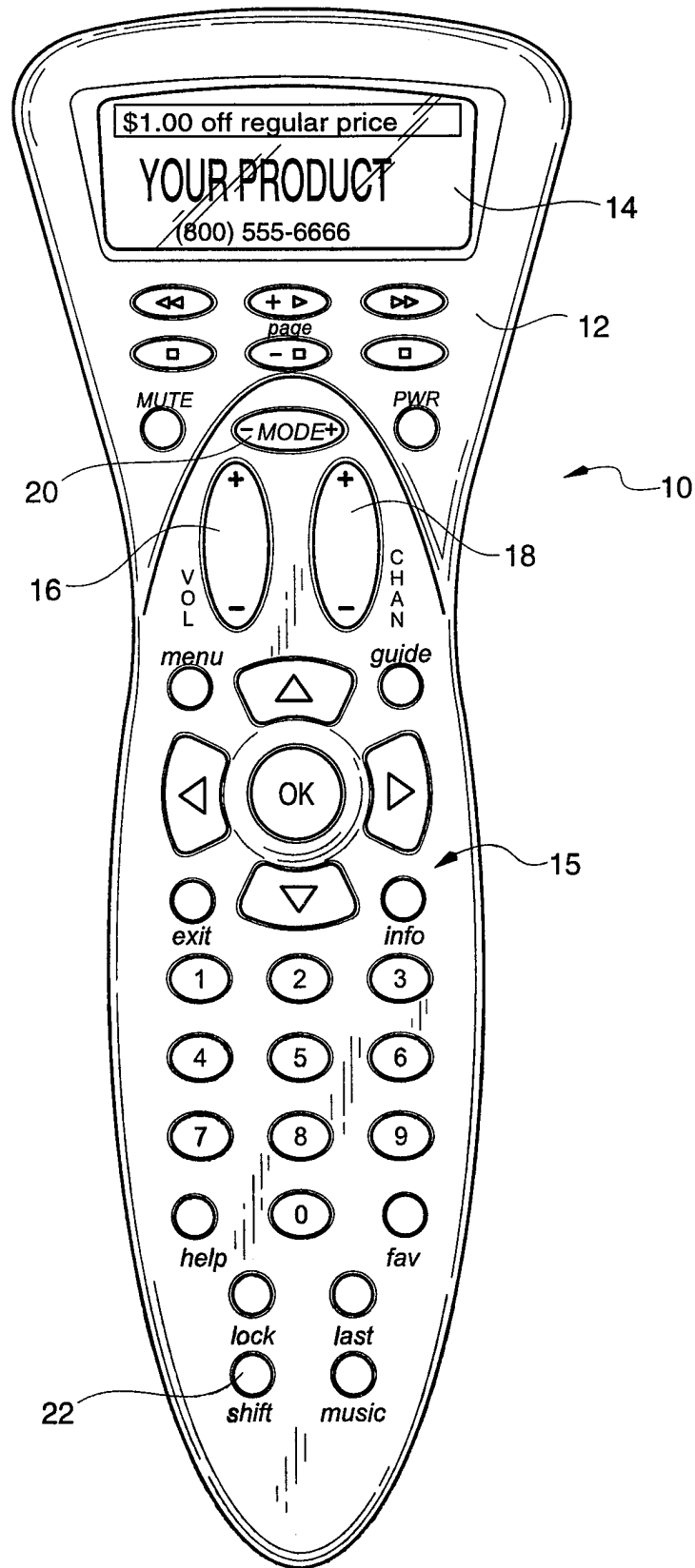


FIG. 2

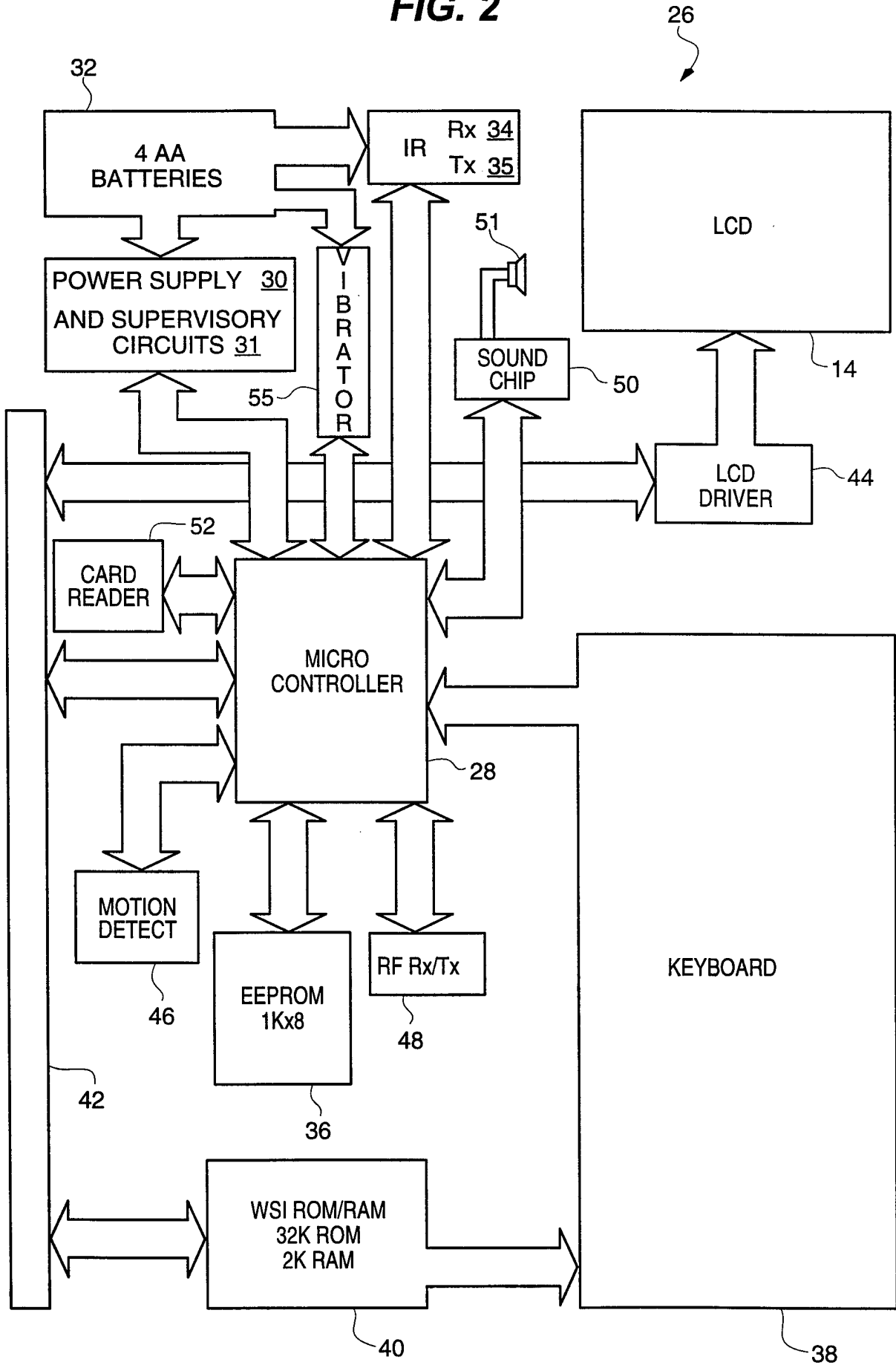


FIG. 3A

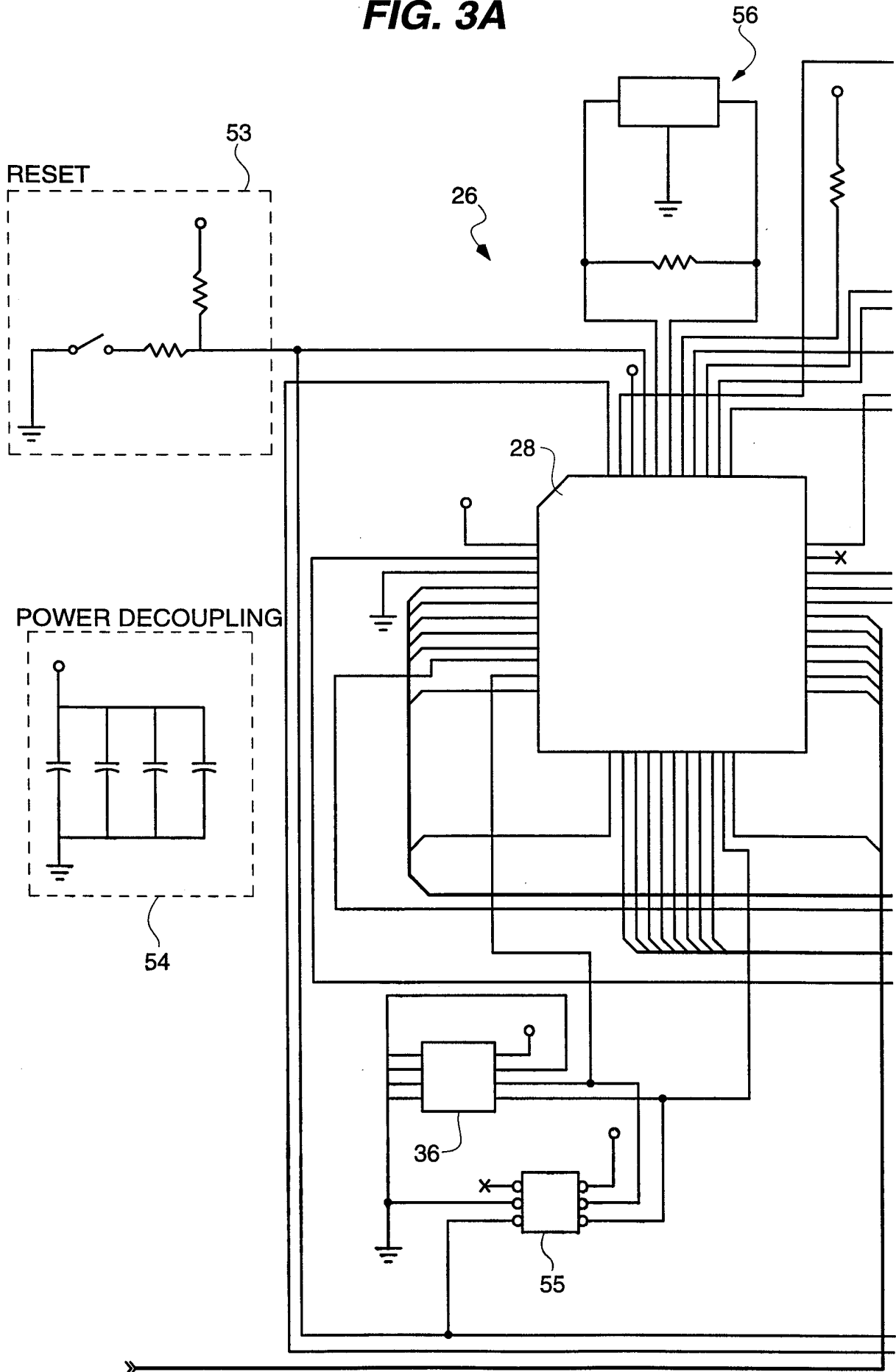


FIG. 3B

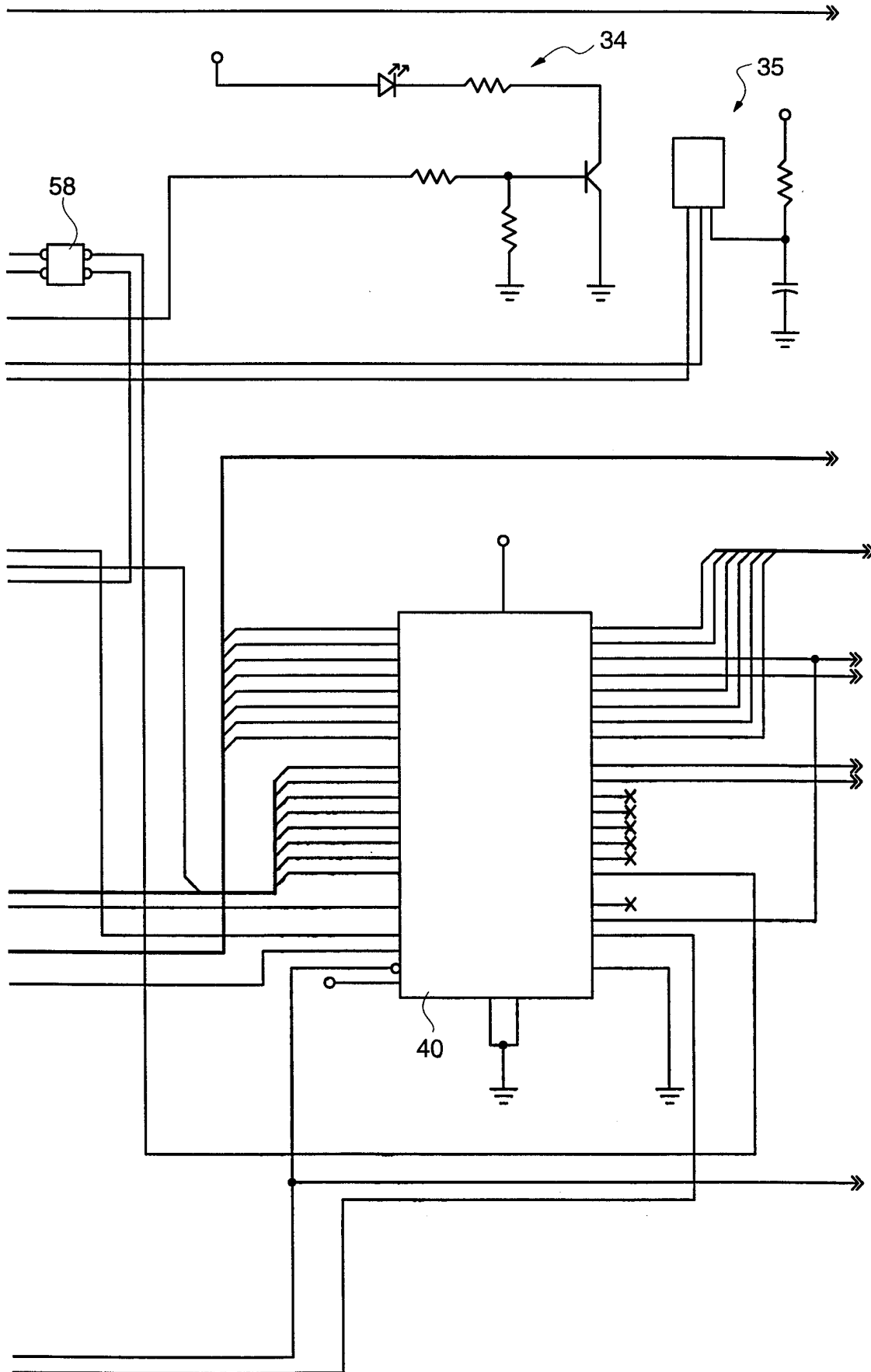


FIG. 3C

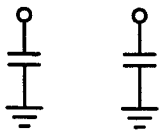
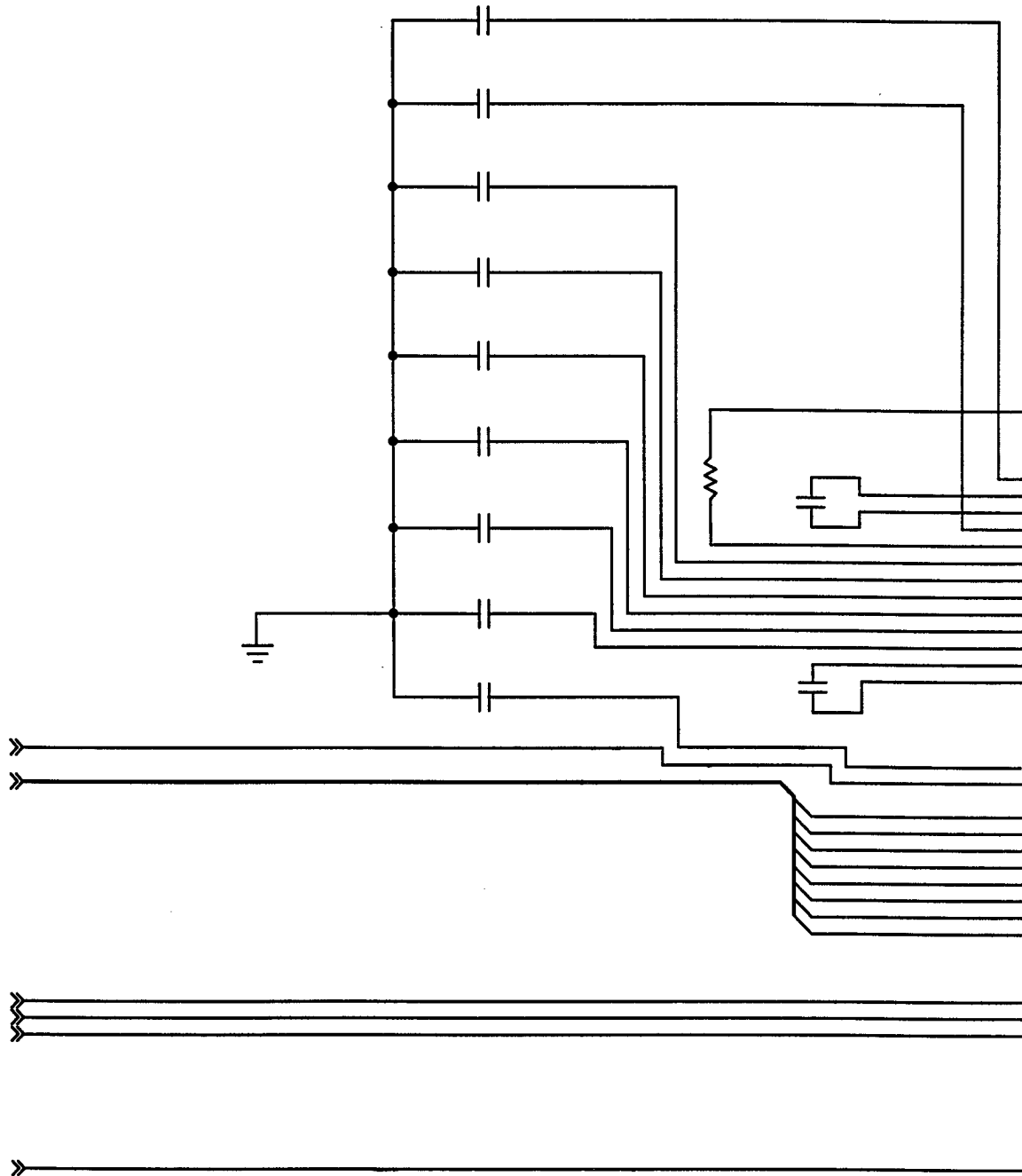


FIG. 3D

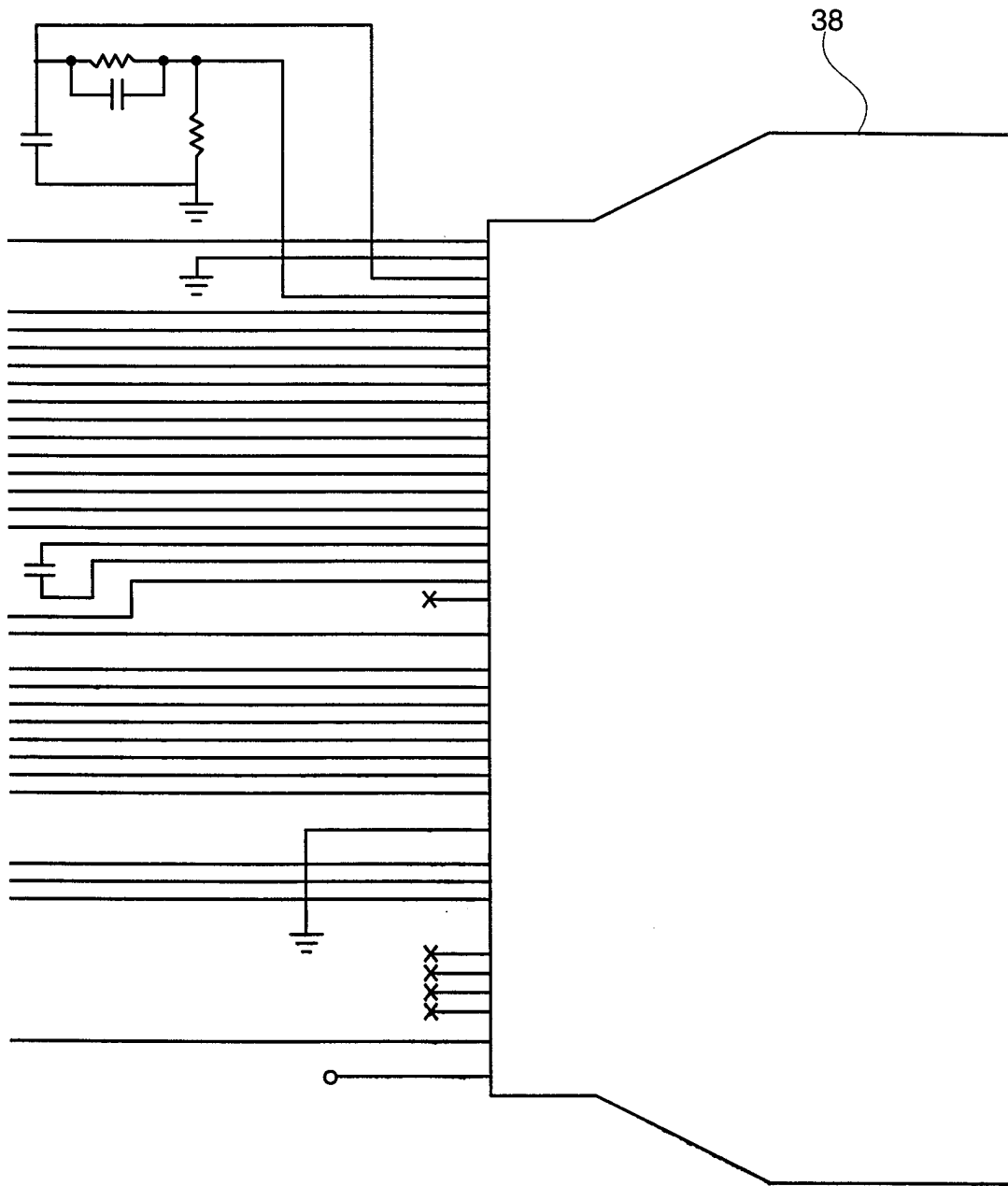


FIG. 4

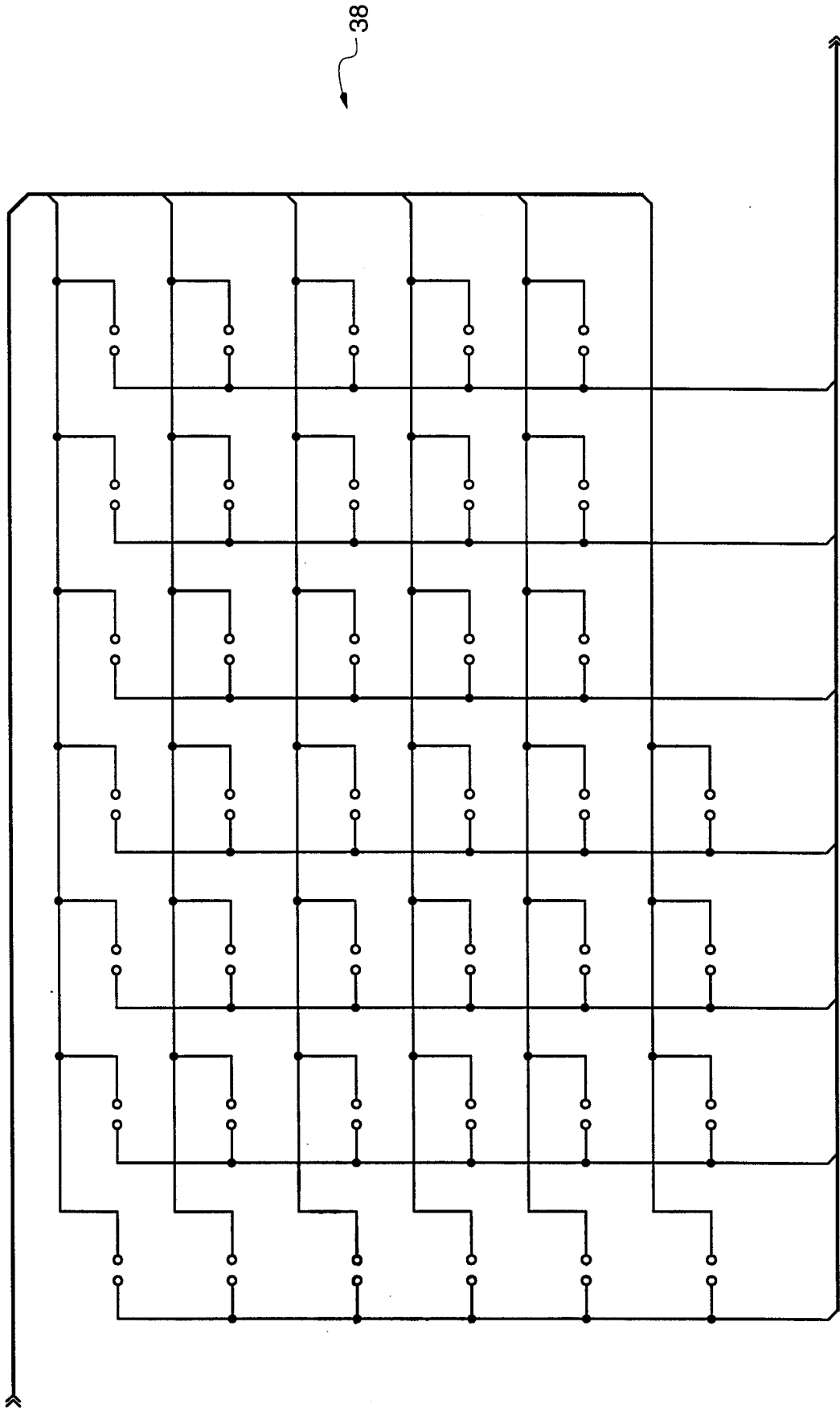


FIG. 5

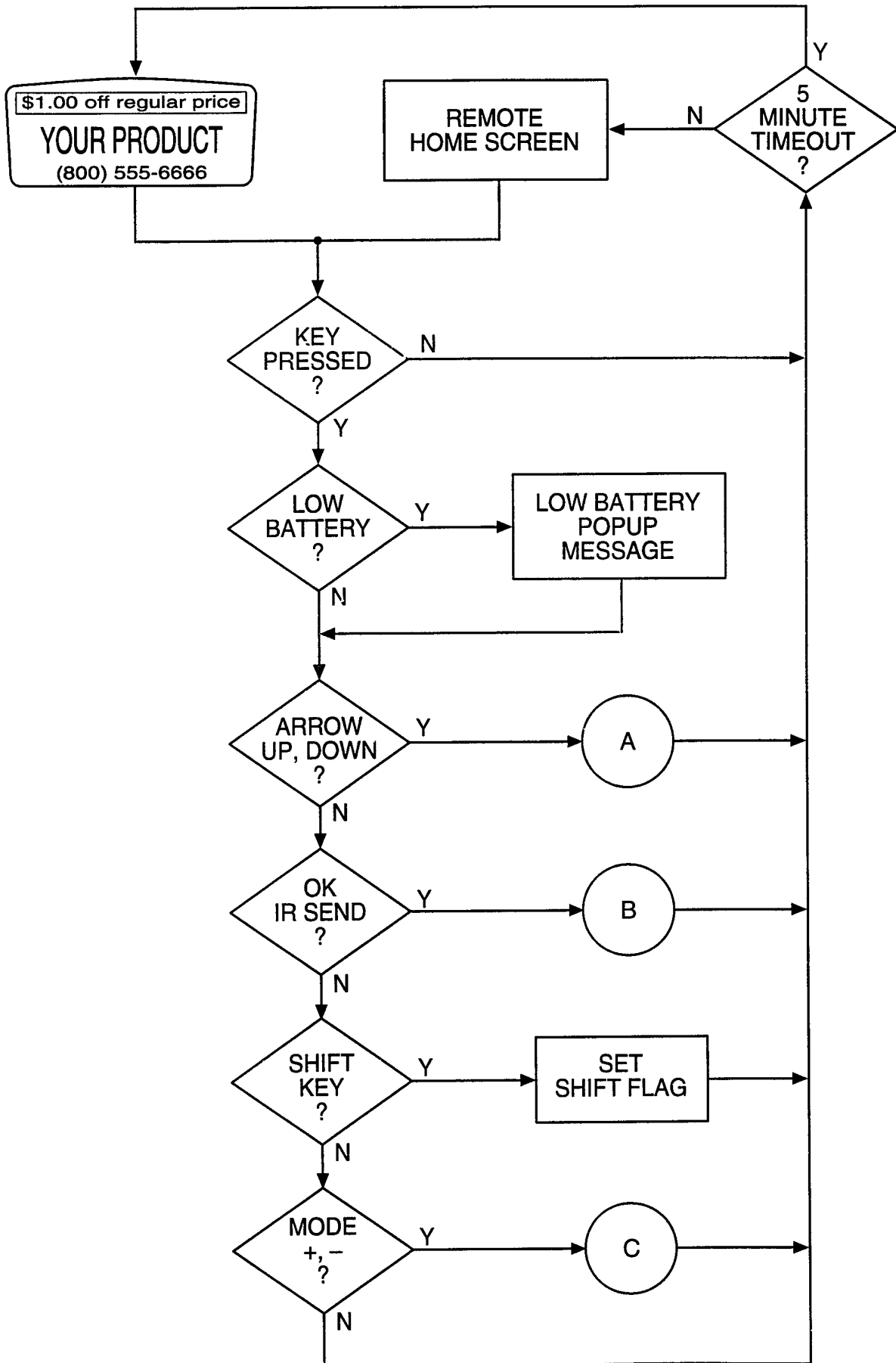


FIG. 6

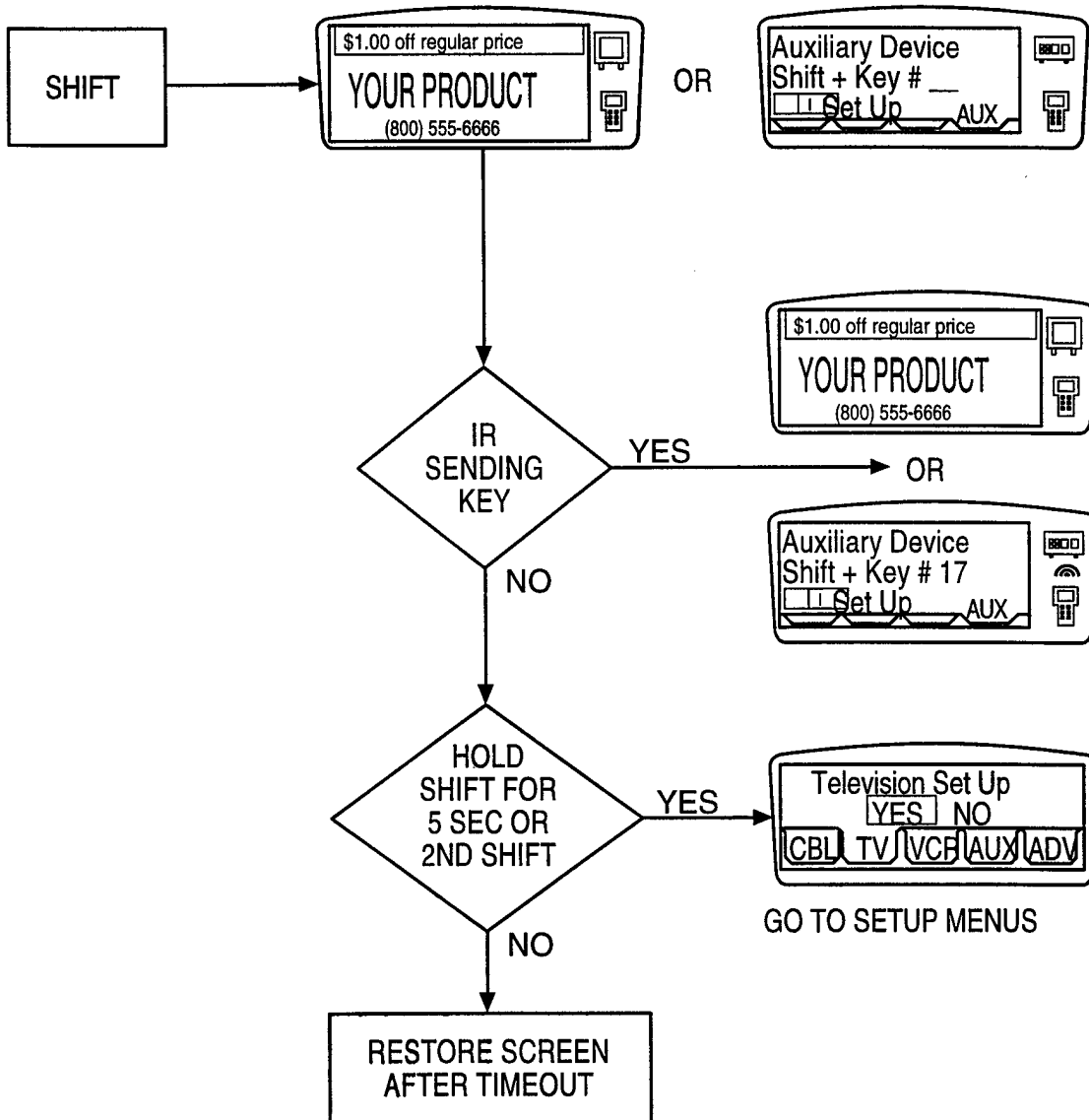


FIG. 7

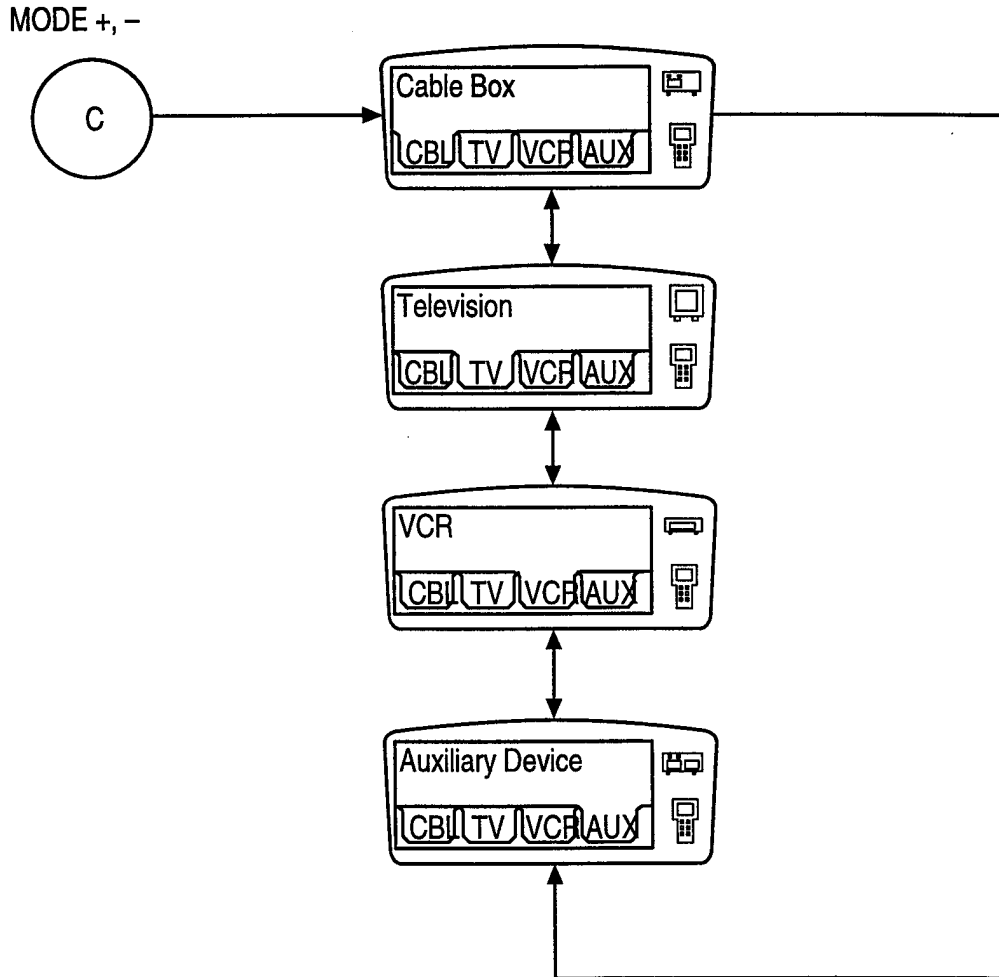


FIG. 8



INTERNATIONAL SEARCH REPORT

International Application No
PCT/US 98/05775

A. CLASSIFICATION OF SUBJECT MATTER
IPC 6 G06F3/147 H04N7/173

According to International Patent Classification (IPC) or to both national classification and IPC

B. FIELDS SEARCHED

Minimum documentation searched (classification system followed by classification symbols)
IPC 6 G06F G09G H04N

Documentation searched other than minimum documentation to the extent that such documents are included in the fields searched

Electronic data base consulted during the international search (name of data base and, where practical, search terms used)

C. DOCUMENTS CONSIDERED TO BE RELEVANT

Category	Citation of document, with indication, where appropriate, of the relevant passages	Relevant to claim No.
Y	US 5 410 326 A (GOLDSTEIN STEVEN W) 25 April 1995 cited in the application see column 7, line 42 - column 8, line 68 see column 11, line 15 - line 43 see column 12, line 13 - column 13, line 4 see column 22, line 13 - column 23, line 42 see column 35, line 22 - line 47 see figures 1-4, 6-8, 10 ---	1-3, 5, 7, 9, 11-13
Y	WO 96 30864 A (CARR KELLY L ; GLANTZ EDWARD J (US); SCHENA DAVID J (US); SCHENA RO) 3 October 1996 see page 4, line 12 - page 5, line 37 see figure 1 -----	1-3, 5, 7, 9, 11-13

Further documents are listed in the continuation of box C.

Patent family members are listed in annex.

Special categories of cited documents:

- "A" document defining the general state of the art which is not considered to be of particular relevance
- "E" earlier document but published on or after the international filing date
- "L" document which may throw doubts on priority claim(s) or which is cited to establish the publication date of another citation or other special reason (as specified)
- "O" document referring to an oral disclosure, use, exhibition or other means
- "P" document published prior to the international filing date but later than the priority date claimed

- "T" later document published after the international filing date or priority date and not in conflict with the application but cited to understand the principle or theory underlying the invention
- "X" document of particular relevance; the claimed invention cannot be considered novel or cannot be considered to involve an inventive step when the document is taken alone
- "Y" document of particular relevance; the claimed invention cannot be considered to involve an inventive step when the document is combined with one or more other such documents, such combination being obvious to a person skilled in the art.
- "&" document member of the same patent family

Date of the actual completion of the international search

1 July 1998

Date of mailing of the international search report

09/07/1998

Name and mailing address of the ISA

European Patent Office, P.B. 5818 Patentlaan 2
 NL - 2280 HV Rijswijk
 Tel. (+31-70) 340-2040, Tx. 31 651 epo nl,
 Fax: (+31-70) 340-3016

Authorized officer

Amian, D

INTERNATIONAL SEARCH REPORT

Information on patent family members

International Application No
PCT/US 98/05775

Patent document cited in search report	Publication date	Patent family member(s)	Publication date
US 5410326 A	25-04-1995	NONE	
WO 9630864 A	03-10-1996	NONE	