



US00D548092S

(12) **United States Design Patent** (10) **Patent No.:** **US D548,092 S**  
**Klemm** (45) **Date of Patent:** **\*\* Aug. 7, 2007**

(54) **BOTTLE**  
(75) Inventor: **Jason T. Klemm**, Mableton, GA (US)  
(73) Assignee: **The Coca-Cola Company**, Atlanta, GA (US)  
(\*\*) Term: **14 Years**  
(21) Appl. No.: **29/226,653**  
(22) Filed: **Mar. 31, 2005**  
(51) **LOC (8) Cl.** ..... **09-01**  
(52) **U.S. Cl.** ..... **D9/520; D9/560; D9/569; D9/571**  
(58) **Field of Classification Search** ..... D9/500, D9/502-503, 516, 520, 530, 537-546, 549, D9/553, 555-556, 558, 566, 568-569, 571; 215/379, 381-384; 220/660, 662, 669-671, 220/675  
See application file for complete search history.

D422,915 S \* 4/2000 Hestehave et al. .... D9/500  
D425,793 S \* 5/2000 Walker ..... D9/503  
D456,272 S \* 4/2002 Sadeghi et al. .... D9/560  
D457,437 S \* 5/2002 Sadeghi et al. .... D9/530  
D458,145 S \* 6/2002 Sadeghi et al. .... D9/556  
D458,146 S \* 6/2002 Sadeghi et al. .... D9/560  
D458,147 S \* 6/2002 Sadeghi et al. .... D9/568  
D458,148 S \* 6/2002 Sadeghi et al. .... D9/568  
D460,695 S \* 7/2002 Sadeghi et al. .... D9/530  
D463,287 S \* 9/2002 Moore et al. .... D9/549  
D480,315 S \* 10/2003 Sadeghi et al. .... D9/538  
D488,060 S \* 4/2004 Yourist ..... D9/658  
D525,141 S \* 7/2006 Beard et al. .... D9/646  
D526,905 S \* 8/2006 Beard et al. .... D9/646

\* cited by examiner

*Primary Examiner*—Ian Simmons  
*Assistant Examiner*—Dana Sipos  
(74) *Attorney, Agent, or Firm*—Cheryl J. Tubach

(57) **CLAIM**

I claim the ornamental design for a bottle, as shown.

**DESCRIPTION**

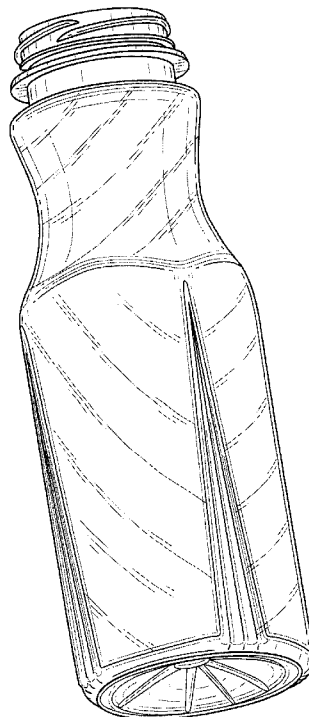
FIG. 1 is a bottom, front perspective view of a bottle showing my new design. It is understood that the bottle is transparent, however, the opposing side has not been shown for ease of illustration;  
FIG. 2 is a front elevational view thereof;  
FIG. 3 is a side elevational view thereof;  
FIG. 4 is a bottom plan view thereof; and,  
FIG. 5 is a top plan view thereof.

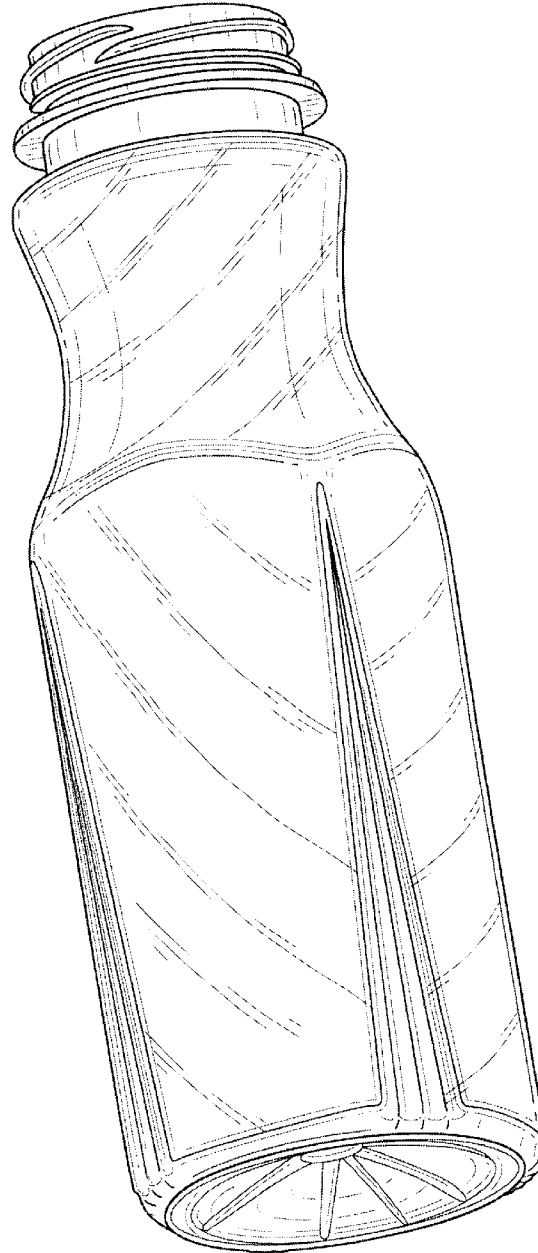
**1 Claim, 4 Drawing Sheets**

(56) **References Cited**

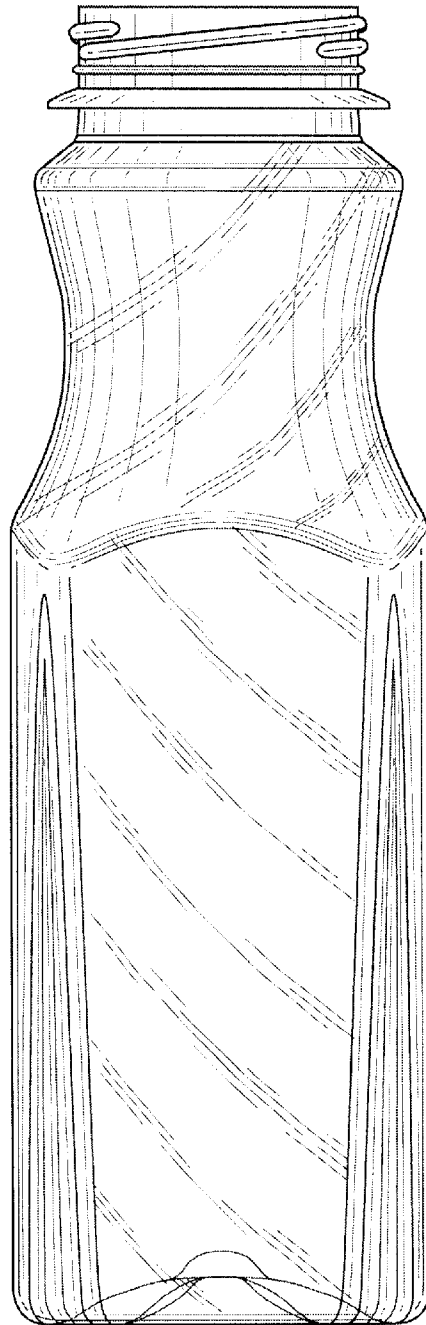
**U.S. PATENT DOCUMENTS**

D85,838 S \* 12/1931 Noble ..... D9/520  
D87,343 S \* 7/1932 Hamilton  
D90,290 S \* 7/1933 McDonald ..... D9/568  
D97,748 S \* 12/1935 Steelman ..... D9/562  
D110,504 S \* 7/1938 Steuer ..... D9/542  
D236,429 S \* 8/1975 Strand ..... D9/501  
D236,587 S \* 9/1975 Kretz ..... D9/541  
D362,182 S \* 9/1995 Hestehave et al. .... D9/434  
D403,245 S \* 12/1998 Martin ..... D9/556  
D403,969 S \* 1/1999 Rosler ..... D9/556

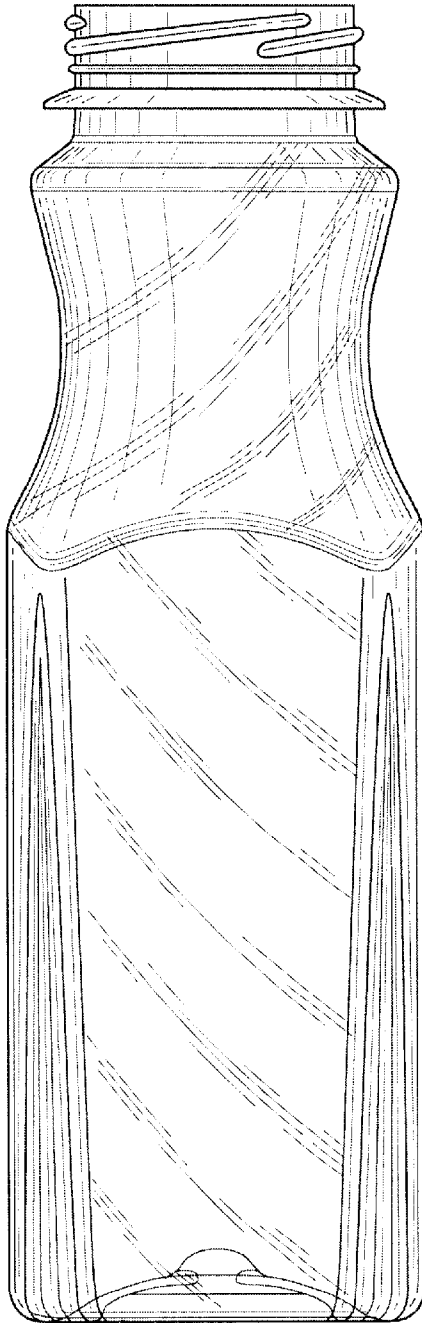




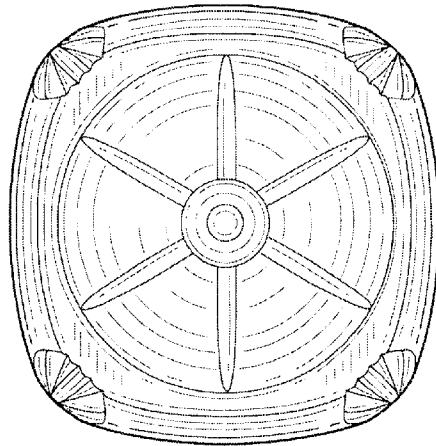
**FIG. 1**



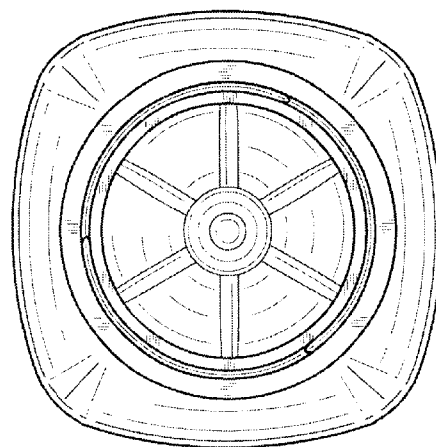
**FIG. 2**



**FIG. 3**



**FIG. 4**



**FIG. 5**