



- (51) International Patent Classification:
H01M 8/10 (2006.01)
- (21) International Application Number:
PCT/US2012/042070
- (22) International Filing Date:
12 June 2012 (12.06.2012)
- (25) Filing Language:
English
- (26) Publication Language:
English
- (30) Priority Data:
13/161,370 15 June 2011 (15.06.2011) US
- (71) Applicant (for all designated States except US): **LG FUEL CELL SYSTEMS INC.** [US/US]; 6065 Strip Avenue NW, North Canton, OH 44720 (US).
- (72) Inventor; and
- (75) Inventor/Applicant (for US only): **LIU, Zhien** [US/US]; 6763 Canter Hill Circle NE, Canton, OH 44721 (US).
- (74) Agents: **GOSNELL, Paul** et al.; Krieg Devault LLP, One Indiana Square, Suite 2800, Indianapolis, IN 46204 (US).
- (81) Designated States (unless otherwise indicated, for every kind of national protection available): AE, AG, AL, AM,

AO, AT, AU, AZ, BA, BB, BG, BH, BR, BW, BY, BZ, CA, CH, CL, CN, CO, CR, CU, CZ, DE, DK, DM, DO, DZ, EC, EE, EG, ES, FI, GB, GD, GE, GH, GM, GT, HN, HR, HU, ID, IL, IN, IS, JP, KE, KG, KM, KN, KP, KR, KZ, LA, LC, LK, LR, LS, LT, LU, LY, MA, MD, ME, MG, MK, MN, MW, MX, MY, MZ, NA, NG, NI, NO, NZ, OM, PE, PG, PH, PL, PT, QA, RO, RS, RU, RW, SC, SD, SE, SG, SK, SL, SM, ST, SV, SY, TH, TJ, TM, TN, TR, TT, TZ, UA, UG, US, UZ, VC, VN, ZA, ZM, ZW.

(84) Designated States (unless otherwise indicated, for every kind of regional protection available): ARIPO (BW, GH, GM, KE, LR, LS, MW, MZ, NA, RW, SD, SL, SZ, TZ, UG, ZM, ZW), Eurasian (AM, AZ, BY, KG, KZ, RU, TJ, TM), European (AL, AT, BE, BG, CH, CY, CZ, DE, DK, EE, ES, FI, FR, GB, GR, HR, HU, IE, IS, IT, LT, LU, LV, MC, MK, MT, NL, NO, PL, PT, RO, RS, SE, SI, SK, SM, TR), OAPI (BF, BJ, CF, CG, CI, CM, GA, GN, GQ, GW, ML, MR, NE, SN, TD, TG).

Published:

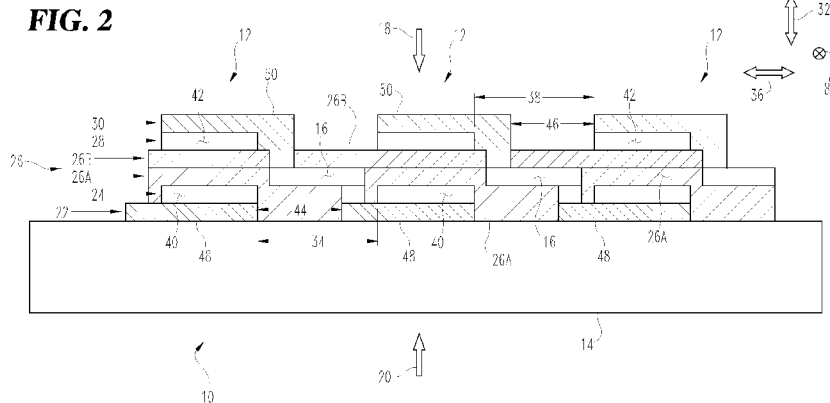
— with international search report (Art. 21(3))

(88) Date of publication of the international search report:
1 May 2014



WO 2012/174002 A3

(54) Title: FUEL CELL SYSTEM WITH INTERCONNECT



(57) Abstract: The present invention generally relates to fuel cells and, in particular, to an interconnect for a fuel cell.

INTERNATIONAL SEARCH REPORT

International application No.

PCT/US 12/42070

A. CLASSIFICATION OF SUBJECT MATTER IPC(8) - H01M 8/10 (2012.01) USPC - 429/479 According to International Patent Classification (IPC) or to both national classification and IPC		
B. FIELDS SEARCHED Minimum documentation searched (classification system followed by classification symbols) USPC: 429/479 Documentation searched other than minimum documentation to the extent that such documents are included in the fields searched USPC: 429/149, 158, 160, 400, 479, 482, 517 Electronic data base consulted during the international search (name of data base and, where practicable, search terms used) PubWEST(PGPB, USPT, EPAB, JPAB); Google Scholar, Thomson Innovation Search Terms Used: fuel cell" interconnect chemical barrier anode cathode electrolyte doped blind LSM LSCM gap electron sublayer sub layer film diffusion distance auxiliary electrochemical		
C. DOCUMENTS CONSIDERED TO BE RELEVANT		
Category*	Citation of document, with indication, where appropriate, of the relevant passages	Relevant to claim No.
X ----- Y	US 2008/0160376 A1 (BADDING et al.) 03 July 2008 (03.07.2008), Abstract, para [0003], [0009], [0019]-[0020], [0023]-[0024], [0034], [0040], [0042]-[0043], [0058]-[0059], [0062], [0064]-[0065], [0079]-[0080]	1-12 ----- 18-54
X ----- Y	US 2007/0259242 A1 (SCHAEVITZ et al.) 08 November 2007 (08.11.2007), para [0009], [0021], [0069], [0077], [0082]-[0083], [0110]-[0111]	13-17 ----- 34-54
Y	US 2005/0221138 A1 (CHINCHURE et al.) 06 October 2005 (06.10.2005), para [0017]-[0018]	18-33
Y	US 2007/0037031 A1 (CASSIDY et al.) 15 February 2007 (15.02.2007), para [0015], Fig. 1	19-20
Y	US 2009/0035635 A1 (BAE et al.) 05 February 2009 (05.02.2009), para [0041]	25-26, 29-30, 39, 42
<input type="checkbox"/> Further documents are listed in the continuation of Box C. <input type="checkbox"/>		
* Special categories of cited documents: "A" document defining the general state of the art which is not considered to be of particular relevance "E" earlier application or patent but published on or after the international filing date "L" document which may throw doubts on priority claim(s) or which is cited to establish the publication date of another citation or other special reason (as specified) "O" document referring to an oral disclosure, use, exhibition or other means "P" document published prior to the international filing date but later than the priority date claimed "T" later document published after the international filing date or priority date and not in conflict with the application but cited to understand the principle or theory underlying the invention "X" document of particular relevance; the claimed invention cannot be considered novel or cannot be considered to involve an inventive step when the document is taken alone "Y" document of particular relevance; the claimed invention cannot be considered to involve an inventive step when the document is combined with one or more other such documents, such combination being obvious to a person skilled in the art "&" document member of the same patent family		
Date of the actual completion of the international search 09 August 2012 (09.08.2012)		Date of mailing of the international search report 04 SEP 2012
Name and mailing address of the ISA/US Mail Stop PCT, Attn: ISA/US, Commissioner for Patents P.O. Box 1450, Alexandria, Virginia 22313-1450 Facsimile No. 571-273-3201		Authorized officer: Lee W. Young PCT Helpdesk: 571-272-4300 PCT OSP: 571-272-7774