



- (51) **International Patent Classification:**
B01D 17/038 (2006.01) B04B 5/04 (2006.01)
B04B 5/02 (2006.01)
- (21) **International Application Number:**
PCT/US2011/042209
- (22) **International Filing Date:**
28 June 2011 (28.06.2011)
- (25) **Filing Language:** English
- (26) **Publication Language:** English
- (30) **Priority Data:**
61/364,678 15 July 2010 (15.07.2010) US
- (71) **Applicant (for all designated States except US):** DRESSER-RAND COMPANY [US/US]; 1101 Paul Clark Drive, P.O. Box 560, Olean, New York 14760 (US).
- (72) **Inventors; and**
- (75) **Inventors/Applicants (for US only):** LARDY, Pascal [US/US]; 15771 Foxgate Road, Houston, Texas 77079 (US). KIDD, H. Allan [US/US]; 984 Bell Run Rd, Shinglehouse, Pennsylvania 16748 (US). MAIER, William C. [US/US]; 6959 Schuyler Rd., Almond, New York 14804 (US).
- (74) **Agents:** NOLTE, N. Alexander et al.; Edmonds & Nolte, PC, 10411 Westheimer Road, Suite 201, Houston, Texas 77042 (US).

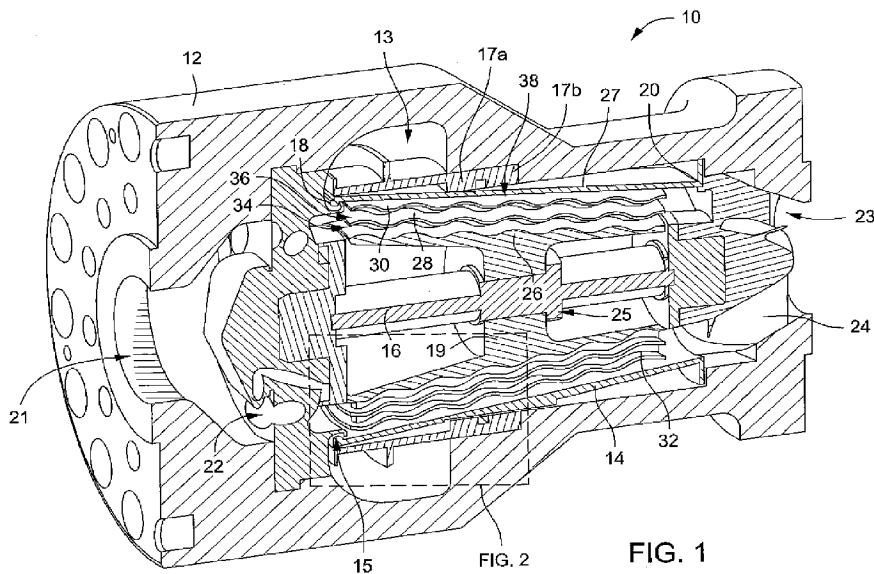
- (81) **Designated States (unless otherwise indicated, for every kind of national protection available):** AE, AG, AL, AM, AO, AT, AU, AZ, BA, BB, BG, BH, BR, BW, BY, BZ, CA, CH, CL, CN, CO, CR, CU, CZ, DE, DK, DM, DO, DZ, EC, EE, EG, ES, FI, GB, GD, GE, GH, GM, GT, HN, HR, HU, ID, IL, IN, IS, JP, KE, KG, KM, KN, KP, KR, KZ, LA, LC, LK, LR, LS, LT, LU, LY, MA, MD, ME, MG, MK, MN, MW, MX, MY, MZ, NA, NG, NI, NO, NZ, OM, PE, PG, PH, PL, PT, RO, RS, RU, SC, SD, SE, SG, SK, SL, SM, ST, SV, SY, TH, TJ, TM, TN, TR, TT, TZ, UA, UG, US, UZ, VC, VN, ZA, ZM, ZW.
- (84) **Designated States (unless otherwise indicated, for every kind of regional protection available):** ARIPO (BW, GH, GM, KE, LR, LS, MW, MZ, NA, SD, SL, SZ, TZ, UG, ZM, ZW), Eurasian (AM, AZ, BY, KG, KZ, MD, RU, TJ, TM), European (AL, AT, BE, BG, CH, CY, CZ, DE, DK, EE, ES, FI, FR, GB, GR, HR, HU, IE, IS, IT, LT, LU, LV, MC, MK, MT, NL, NO, PL, PT, RO, RS, SE, SI, SK, SM, TR), OAPI (BF, BJ, CF, CG, CI, CM, GA, GN, GQ, GW, ML, MR, NE, SN, TD, TG).

Published:

- with international search report (Art. 21(3))
- before the expiration of the time limit for amending the claims and to be republished in the event of receipt of amendments (Rule 48.2(h))

[Continued on next page]

(54) Title: RADIAL VANE PACK FOR ROTARY SEPARATORS



(57) **Abstract:** Apparatus and methods for separating a fluid, with the apparatus including an inner drum wall disposed around and coupled to a shaft. The apparatus also includes an outer drum wall disposed around the inner drum wall, the outer drum wall being configured to rotate to separate a higher-density component of the fluid from a lower-density component of the fluid. The apparatus further includes a first radial vane disposed between the inner drum wall and the outer drum wall and having first contours configured to turn the fluid in at least one of a radially-inward direction and a radially-outward direction. The apparatus also includes a housing at least partially surrounding the outer drum wall and configured to receive the high-density component of the fluid therefrom.

WO 2012/009159 A3

(88) Date of publication of the international search report:
12 April 2012

INTERNATIONAL SEARCH REPORT

International application No.
PCT/US2011/042209**A. CLASSIFICATION OF SUBJECT MATTER*****B01D 17/038(2006.01)i, B04B 5/02(2006.01)i, B04B 5/04(2006.01)i***

According to International Patent Classification (IPC) or to both national classification and IPC

B. FIELDS SEARCHED

Minimum documentation searched (classification system followed by classification symbols)

B01D 17/038; B01D 45/00; B01D 19/00; B01D 17/00; B01D 45/12

Documentation searched other than minimum documentation to the extent that such documents are included in the fields searched

Electronic data base consulted during the international search (name of data base and, where practicable, search terms used)

eKOMPASS(KIPO internal) & Keywords: rotary, separator, drum, vane, density, radial

C. DOCUMENTS CONSIDERED TO BE RELEVANT

Category*	Citation of document, with indication, where appropriate, of the relevant passages	Relevant to claim No.
A	US 05575615 A (MOHN; FRANK) 19 November 1996 See abstract, figures 3-4, claims 1-2	1-21
A	US 05484521 A (KRAMER; ROBERT W.) 16 January 1996 See abstract, figures 1-6, claims 1-21	1-21
A	US 2007-0062374 A1 (JACK J. KOLLE) 22 March 2007 See abstract, figures 1-10, claims 1-13	1-21
A	US 05244479 A (DEAN, II; WALTER C. et al.) 14 September 1993 See abstract, figures 1-3, claims 1-19	1-21
A	US 2007-0256398 A1 (HAMILTON SUNDSTRAND) 08 November 2007 See abstract, figures 1-4, claim 1-20	1-21

 Further documents are listed in the continuation of Box C. See patent family annex.

* Special categories of cited documents:

"A" document defining the general state of the art which is not considered to be of particular relevance

"E" earlier application or patent but published on or after the international filing date

"L" document which may throw doubts on priority claim(s) or which is cited to establish the publication date of citation or other special reason (as specified)

"O" document referring to an oral disclosure, use, exhibition or other means

"P" document published prior to the international filing date but later than the priority date claimed

"T" later document published after the international filing date or priority date and not in conflict with the application but cited to understand the principle or theory underlying the invention

"X" document of particular relevance; the claimed invention cannot be considered novel or cannot be considered to involve an inventive step when the document is taken alone

"Y" document of particular relevance; the claimed invention cannot be considered to involve an inventive step when the document is combined with one or more other such documents, such combination being obvious to a person skilled in the art

"&" document member of the same patent family

Date of the actual completion of the international search

23 FEBRUARY 2012 (23.02.2012)

Date of mailing of the international search report

24 FEBRUARY 2012 (24.02.2012)

Name and mailing address of the ISA/KR

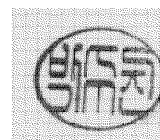
Korean Intellectual Property Office
Government Complex-Daejeon, 189 Cheongsu-ro,
Seo-gu, Daejeon 302-701, Republic of Korea

Facsimile No. 82-42-472-7140

Authorized officer

Park Soo Jin

Telephone No. 82-42-481-8712



INTERNATIONAL SEARCH REPORT

International application No.

PCT/US2011/042209

Box No. II Observations where certain claims were found unsearchable (Continuation of item 2 of first sheet)

This international search report has not been established in respect of certain claims under Article 17(2)(a) for the following reasons:

- 1. Claims Nos.:
because they relate to subject matter not required to be searched by this Authority, namely:

- 2. Claims Nos.:
because they relate to parts of the international application that do not comply with the prescribed requirements to such an extent that no meaningful international search can be carried out, specifically:

- 3. Claims Nos.: 22-37
because they are dependent claims and are not drafted in accordance with the second and third sentences of Rule 6.4(a).

Box No. III Observations where unity of invention is lacking (Continuation of item 3 of first sheet)

This International Searching Authority found multiple inventions in this international application, as follows:

- 1. As all required additional search fees were timely paid by the applicant, this international search report covers all searchable claims.
- 2. As all searchable claims could be searched without effort justifying an additional fee, this Authority did not invite payment of any additional fee.
- 3. As only some of the required additional search fees were timely paid by the applicant, this international search report covers only those claims for which fees were paid, specifically claims Nos.:

- 4. No required additional search fees were timely paid by the applicant. Consequently, this international search report is restricted to the invention first mentioned in the claims; it is covered by claims Nos.:

Remark on Protest

- The additional search fees were accompanied by the applicant's protest and, where applicable, the payment of a protest fee.
- The additional search fees were accompanied by the applicant's protest but the applicable protest fee was not paid within the time limit specified in the invitation.
- No protest accompanied the payment of additional search fees.

INTERNATIONAL SEARCH REPORT

Information on patent family members

International application No.

PCT/US2011/042209

Patent document cited in search report	Publication date	Patent family member(s)	Publication date
US 05575615 A	19.11.1996	CA 2117343 C	27.04.2004
		CA 2391110 A1	08.07.1993
		CA 2391110 C	24.02.2004
		EP 0619860 A1	19.10.1994
		EP 0619860 B1	23.09.1998
		EP 0795689 A1	17.09.1997
		EP 0795689 B1	19.03.2003
		US 05580214 A	03.12.1996
		WO 93-13318 A1	08.07.1993
		US 05484521 A	16.01.1996
WO 95-26223 A1	05.10.1995		
US 2007-0062374 A1	22.03.2007	AU 2005-287828 A1	30.03.2006
		AU 2005-287828 A2	30.03.2006
		AU 2005-287828 B2	04.08.2011
		CA 2581136 A1	30.03.2006
		CA 2581136 C	23.03.2010
		EP 1792050 A1	06.06.2007
		US 2010-0163232 A1	01.07.2010
		US 7677308 B2	16.03.2010
		WO 2006-032141 A1	30.03.2006
US 05244479 A	14.09.1993	None	
US 2007-0256398 A1	08.11.2007	DE 602007007394 D1	12.08.2010
		EP 1854528 A1	14.11.2007
		EP 1854528 B1	30.06.2010
		JP 04-700635 B2	11.03.2011
		JP 2007-301549 A	22.11.2007
		JP 4700635 B2	15.06.2011
		US 7628836 B2	08.12.2009