



US00D339686S

United States Patent [19]

[11] Patent Number: **Des. 339,686**

Feuer

[45] Date of Patent: **** Sep. 28, 1993**

[54] BABY BLOCK JEWELRY BOX

[76] Inventor: **Jeffrey Feuer**, 679 Harrison Ave., East Meadow, N.Y. 11554

[**] Term: **14 Years**

[21] Appl. No.: **580,495**

[22] Filed: **Sep. 10, 1990**

[52] U.S. Cl. **D3/75; D3/78**

[58] Field of Search **D3/78, 40, 30.1, 75; D21/107, 108; D6/301, 300, 302, 310; 40/152, 152.1, 156, 124.1, 618; D25/1, 3; D9/432, 418; D26/6; D28/8.1; D20/10, 19.20; D11/131, 140, 132, 157; 190/12 R; 206/373**

[56] References Cited

U.S. PATENT DOCUMENTS

D. 8,466	7/1875	Lyman	D21/108
D. 25,044	1/1896	Bodine	D21/108
D. 185,509	6/1959	Pedersen	D6/301
1,474,170	11/1923	Schechter	190/12 R
1,574,257	2/1926	Redner	D21/108 X
3,608,906	9/1977	Odler	D21/107 X
3,866,815	2/1975	Desmond	40/124.1 X
3,979,007	9/1976	Thornbloom, Jr.	190/12 R

OTHER PUBLICATIONS

Best Products 1986 p. 111 left top portion.

Primary Examiner—B. J. Bullock

Assistant Examiner—Paula Mortimer

Attorney, Agent, or Firm—Rosen, Dainow & Jacobs

[57] CLAIM

The ornamental design for a baby block jewelry box, as shown and described.

DESCRIPTION

FIG. 1 is a front perspective view of a baby block jewelry box showing my new design, the broken lines showing of the letters "A" and "J" are for illustrative purposes only;

FIG. 2 is a side elevational view thereof, the opposite side is a mirror image;

FIG. 3 is a front perspective view of FIG. 1 with the lid in an open position;

FIG. 4 is a front perspective view of a second embodiment showing my new design;

FIG. 5 is a top plan view thereof;

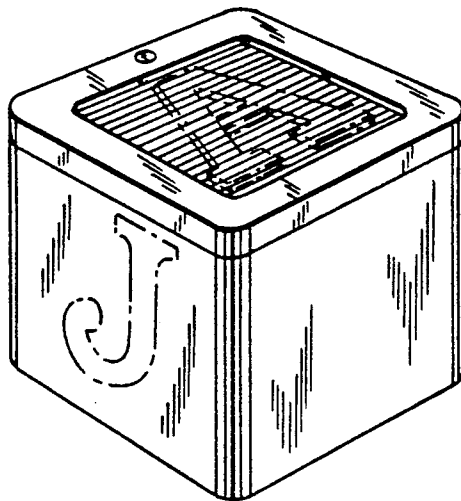
FIG. 6 is a front perspective view of a third embodiment in an open position showing my new design;

FIG. 7 is front perspective view in a closed position;

FIG. 8 is a front perspective view of the fourth embodiment in an open position thereof;

FIG. 9 is a top plan view thereof; and,

FIG. 10 is the bottom plan view of all embodiments.



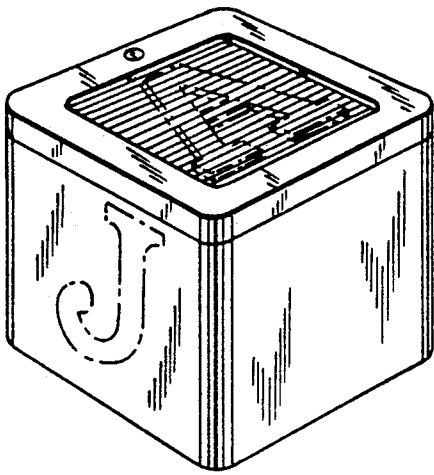


FIG. 1

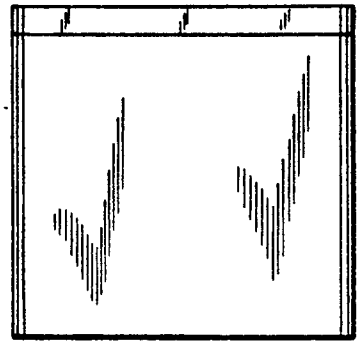


FIG. 2

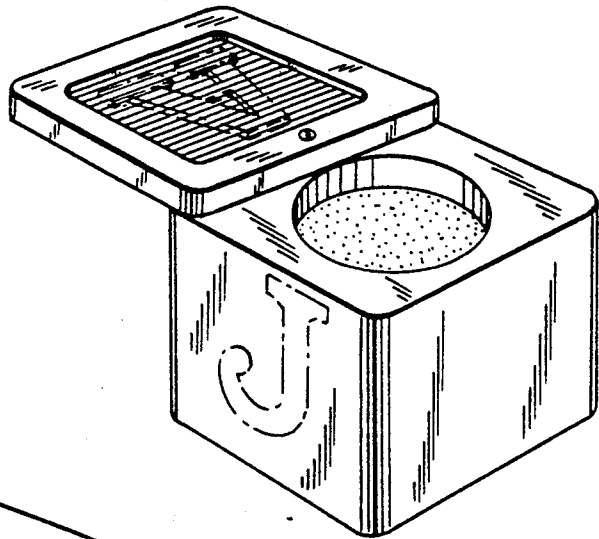


FIG. 3

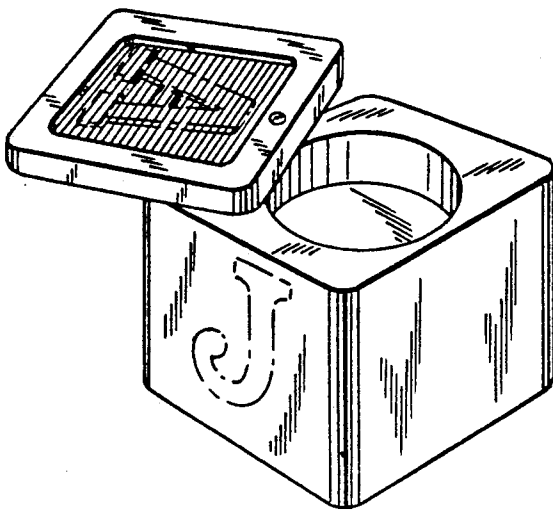


FIG. 4

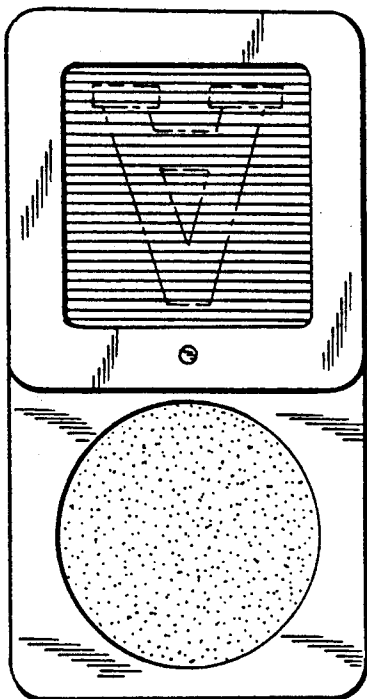


FIG. 5

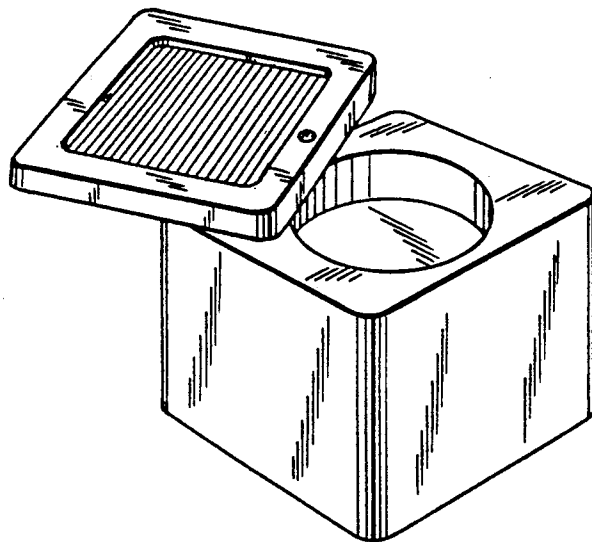


FIG. 6

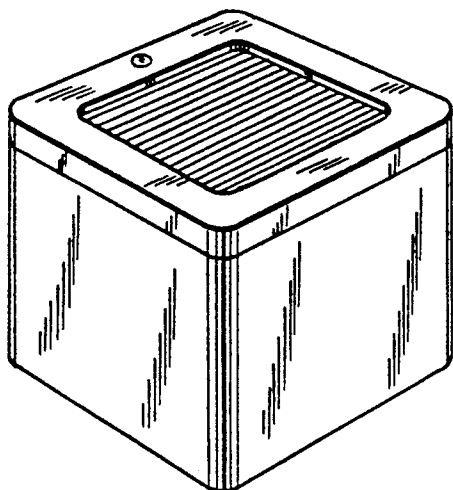


FIG. 7

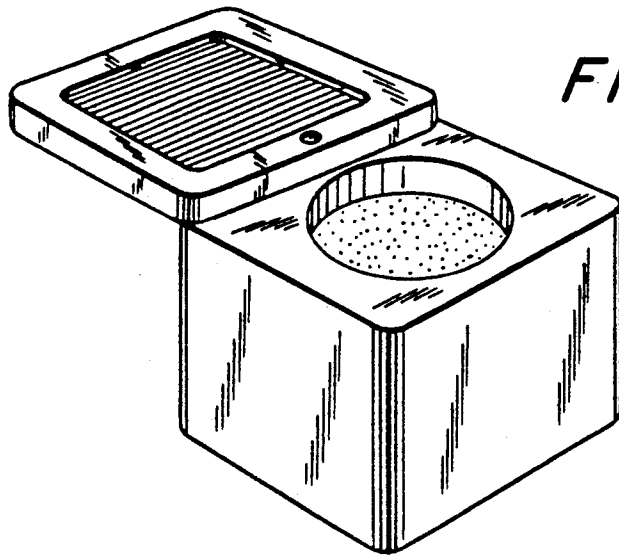


FIG. 8

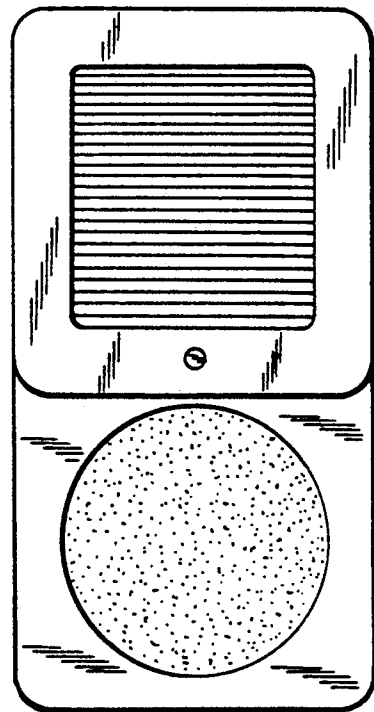


FIG. 9

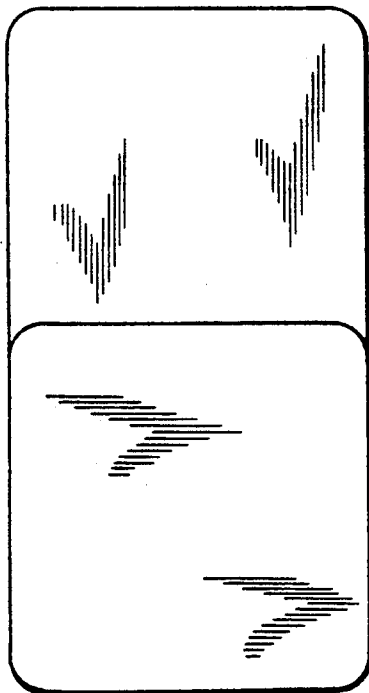


FIG. 10