



US00D889459S

(12) **United States Design Patent**
Zhang

(10) **Patent No.:** **US D889,459 S**
(45) **Date of Patent:** **** Jul. 7, 2020**

- (54) **SMART WATCH**
- (71) Applicant: **Caihong Zhang**, Guangdong (CN)
- (72) Inventor: **Caihong Zhang**, Guangdong (CN)
- (**) Term: **15 Years**
- (21) Appl. No.: **29/714,538**
- (22) Filed: **Nov. 24, 2019**
- (51) **LOC (12) Cl.** **14-02**
- (52) **U.S. Cl.**
USPC **D14/344; D10/32**
- (58) **Field of Classification Search**
USPC D10/1-2, 5, 10, 14-15, 21, 30-41;
D14/344; D11/5, 93-94, 99; D5/56,
D5/59-60, 99; D24/167, 186-190
CPC . G04F 7/06; G04F 7/062; G04F 7/065; G04F
7/067; G04F 8/00; G04F 8/006; G04G
17/00; G04G 17/086; G04G 17/005;
G04G 13/028; G04G 11/00; G04G 9/00;
G04C 17/00; G04B 19/00; G04B 19/04;
A44C 5/00; A44C 5/0007; A44C 5/0053;
A44C 5/10; A44C 5/14
See application file for complete search history.

| | | | |
|--------------|---------|----------|---------|
| D787,511 S | 5/2017 | Lee | |
| D789,357 S * | 6/2017 | Wu | D14/344 |
| D798,905 S * | 10/2017 | Akana | D14/496 |
| D802,587 S * | 11/2017 | Lee | D14/344 |
| D808,961 S * | 1/2018 | Lee | D14/344 |
| D826,933 S * | 8/2018 | Lee | D14/344 |
| D828,352 S * | 9/2018 | Akana | D14/344 |
| D837,206 S * | 1/2019 | Guan | D14/344 |
| D839,753 S * | 2/2019 | Domke | D10/30 |
| D842,855 S * | 3/2019 | Akana | D14/344 |
| D855,813 S * | 8/2019 | Hu | D24/186 |
| D862,462 S * | 10/2019 | Zhang | D14/344 |
| D866,350 S * | 11/2019 | Park | D10/38 |
| D868,062 S * | 11/2019 | Haranaka | D14/344 |

(Continued)

FOREIGN PATENT DOCUMENTS

| | | |
|----|-----------|-----------|
| CN | 305521795 | * 12/2019 |
| EM | 007383328 | * 12/2019 |

Primary Examiner — Sandra S Snapp
Assistant Examiner — Katherine Glennon
(74) *Attorney, Agent, or Firm* — ZANIP

(57) **CLAIM**

The ornamental design for a smart watch, as shown and described.

DESCRIPTION

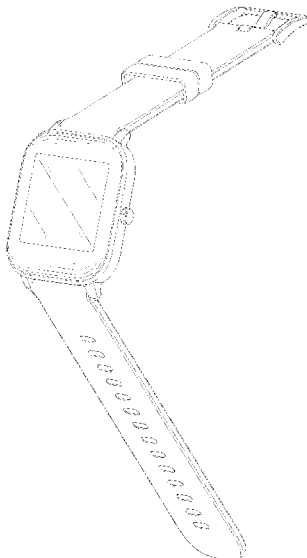
FIG. 1 is a front perspective view of a smart watch, showing my new design;
FIG. 2 is a rear perspective view thereof;
FIG. 3 is a front elevational view thereof;
FIG. 4 is a rear elevational view thereof;
FIG. 5 is a left side elevational view thereof;
FIG. 6 is a right side elevational view thereof;
FIG. 7 is a top plan view thereof; and,
FIG. 8 is a bottom plan view thereof.
The broken lines in the figures illustrate portions of the smart watch that form no part of the claimed design.

1 Claim, 8 Drawing Sheets

(56) **References Cited**

U.S. PATENT DOCUMENTS

| | | | |
|----------------|---------|----------|--------------------------|
| 4,504,062 A * | 3/1985 | Smith | H04N 3/127 348/E3.015 |
| D584,170 S * | 1/2009 | Morrison | D10/32 |
| D600,138 S * | 9/2009 | Tang | D10/30 |
| D622,857 S * | 8/2010 | Ramsey | D24/186 |
| D638,725 S * | 5/2011 | Morrison | D10/39 |
| D670,277 S * | 11/2012 | Huang | D14/240 |
| D741,726 S * | 10/2015 | Akana | D10/30 |
| D760,717 S * | 7/2016 | Solomon | D14/344 |
| D765,655 S * | 9/2016 | Tao | D10/38 |
| 9,577,324 B2 * | 2/2017 | Chen | H01Q 1/44 |
| D784,325 S * | 4/2017 | Kim | D14/341 |
| D786,241 S * | 5/2017 | Chuang | D14/344 |



(56)

References Cited

U.S. PATENT DOCUMENTS

| | | | | | | |
|--------------|----|---|---------|--------|-------|-------------|
| D869,462 | S | * | 12/2019 | Ke | | D14/344 |
| D876,244 | S | * | 2/2020 | Park | | D10/32 |
| 2014/0278220 | A1 | * | 9/2014 | Yuen | | G01B 21/16 |
| | | | | | | 702/150 |
| 2015/0320128 | A1 | * | 11/2015 | Yoo | | A61B 5/7435 |
| | | | | | | 2/170 |
| 2017/0277136 | A1 | * | 9/2017 | Minami | | G06F 1/3296 |

* cited by examiner

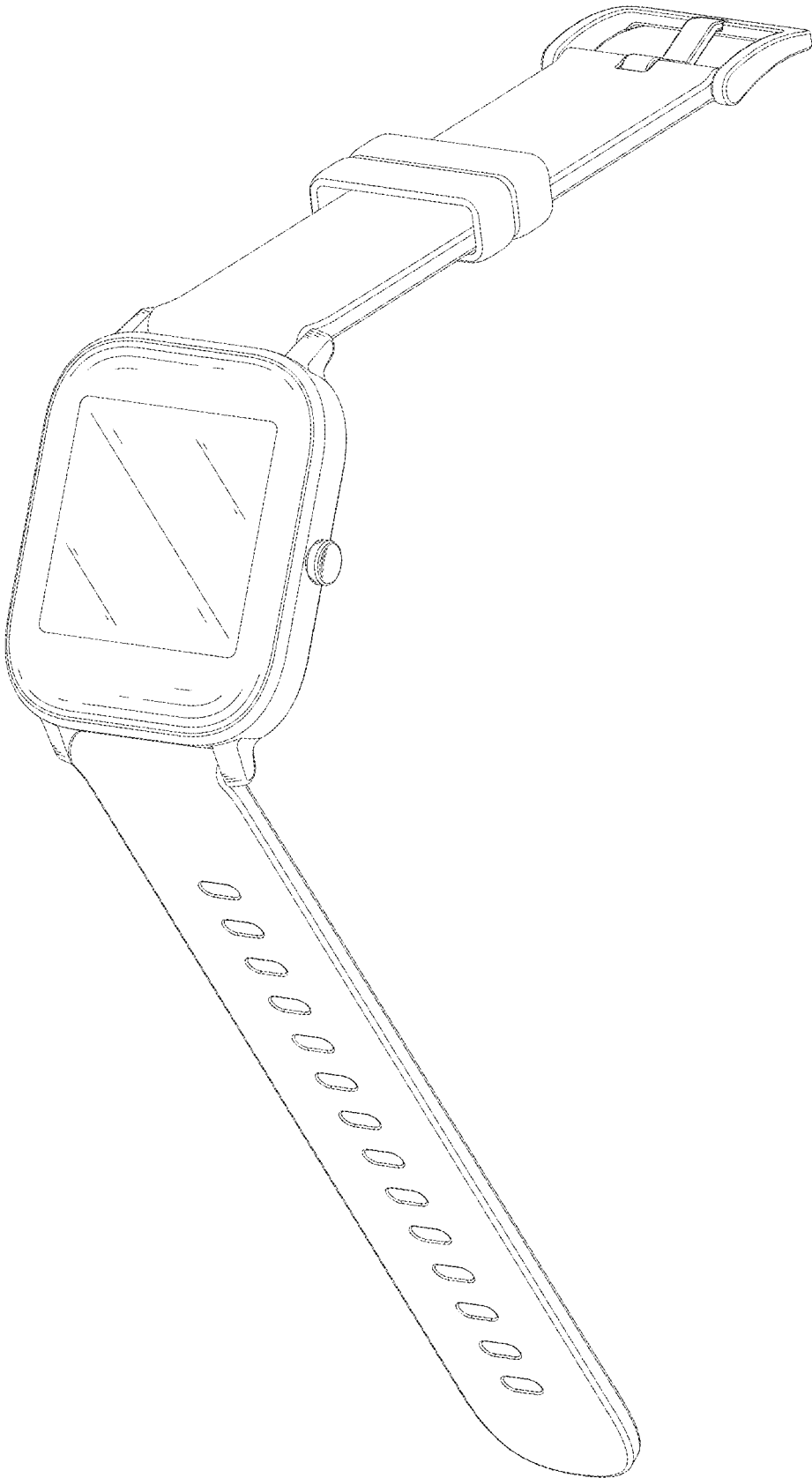


FIG. 1

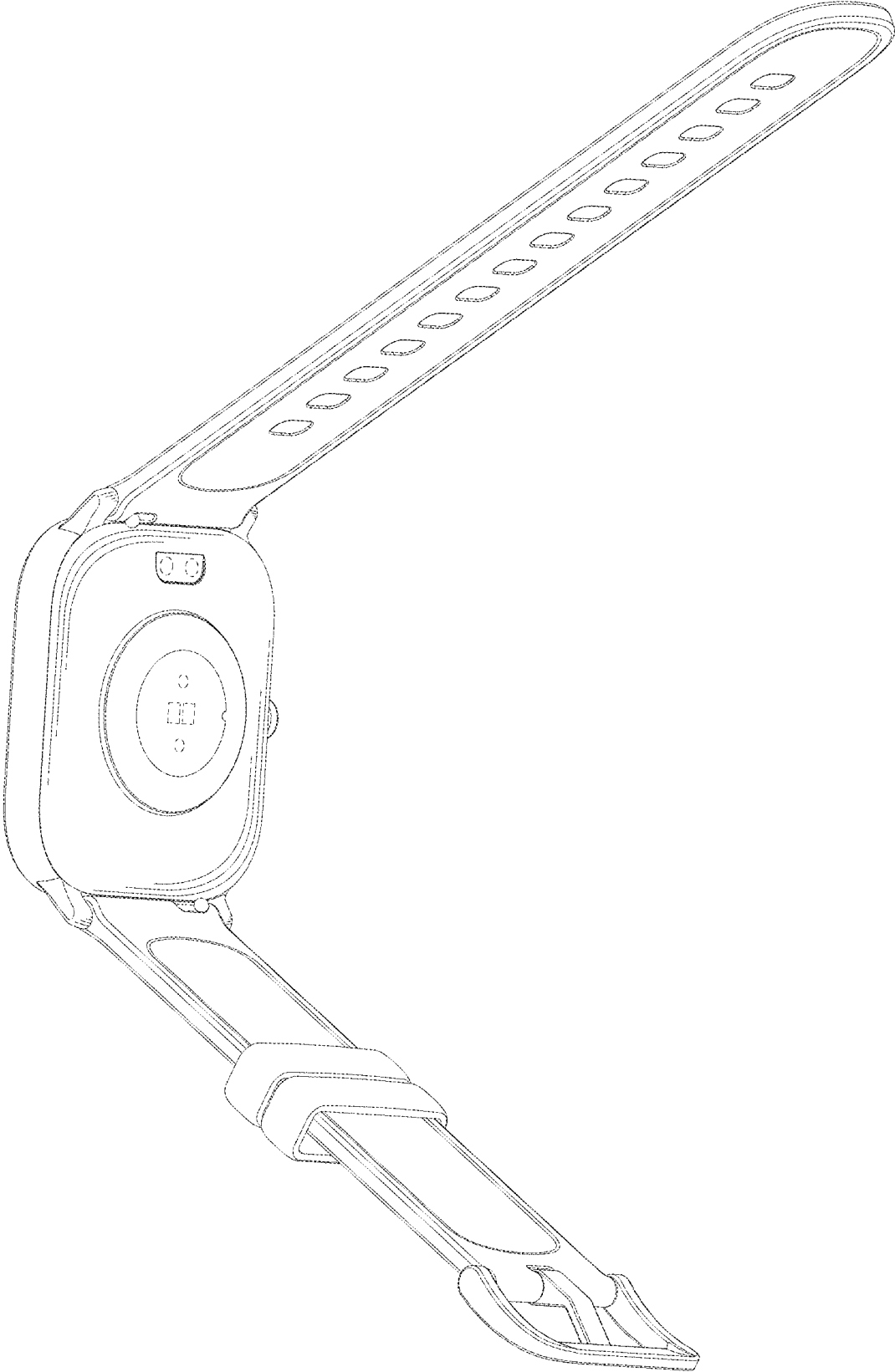


FIG. 2

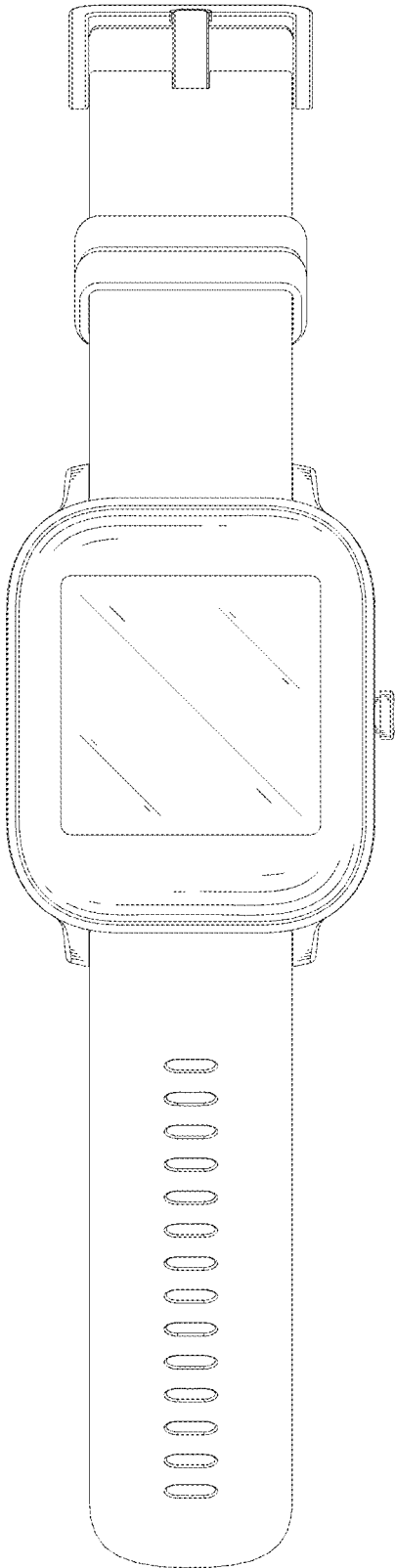


FIG. 3

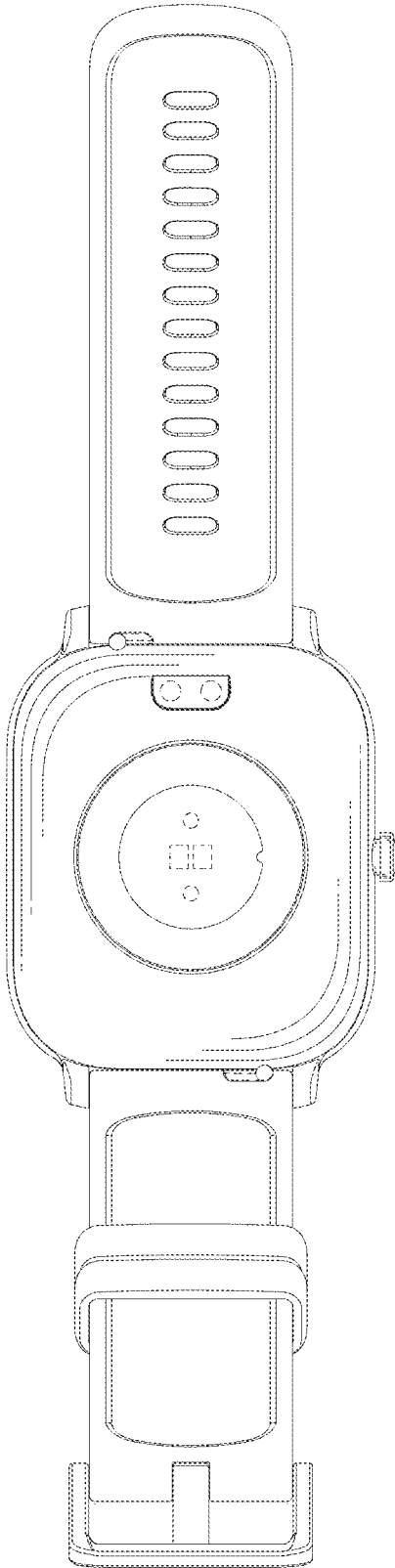


FIG. 4

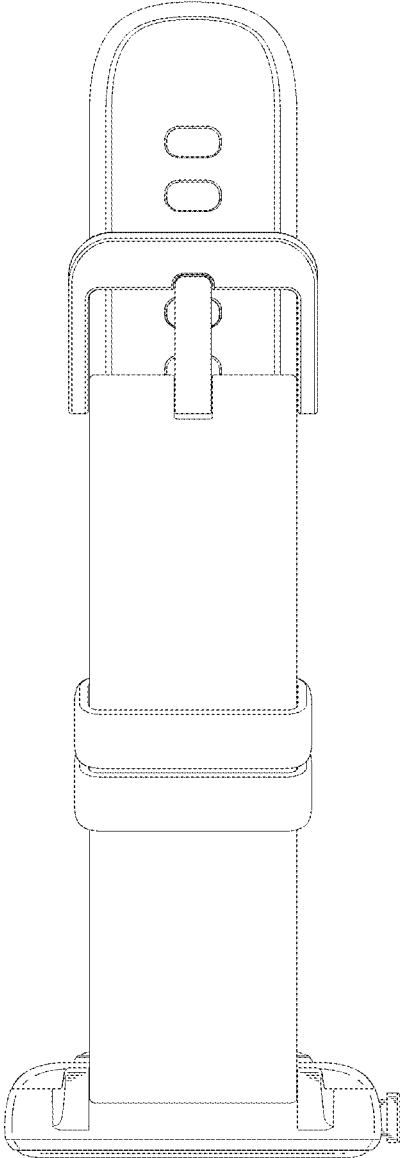


FIG. 5

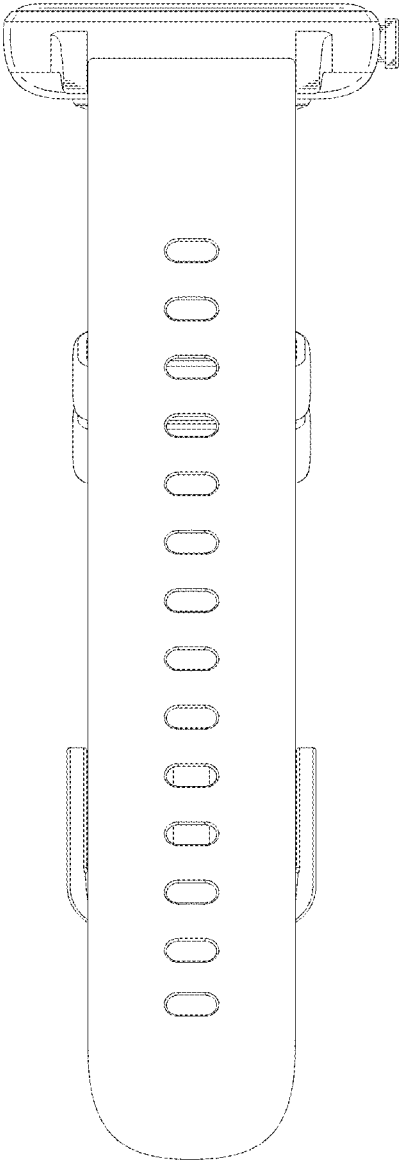


FIG. 6

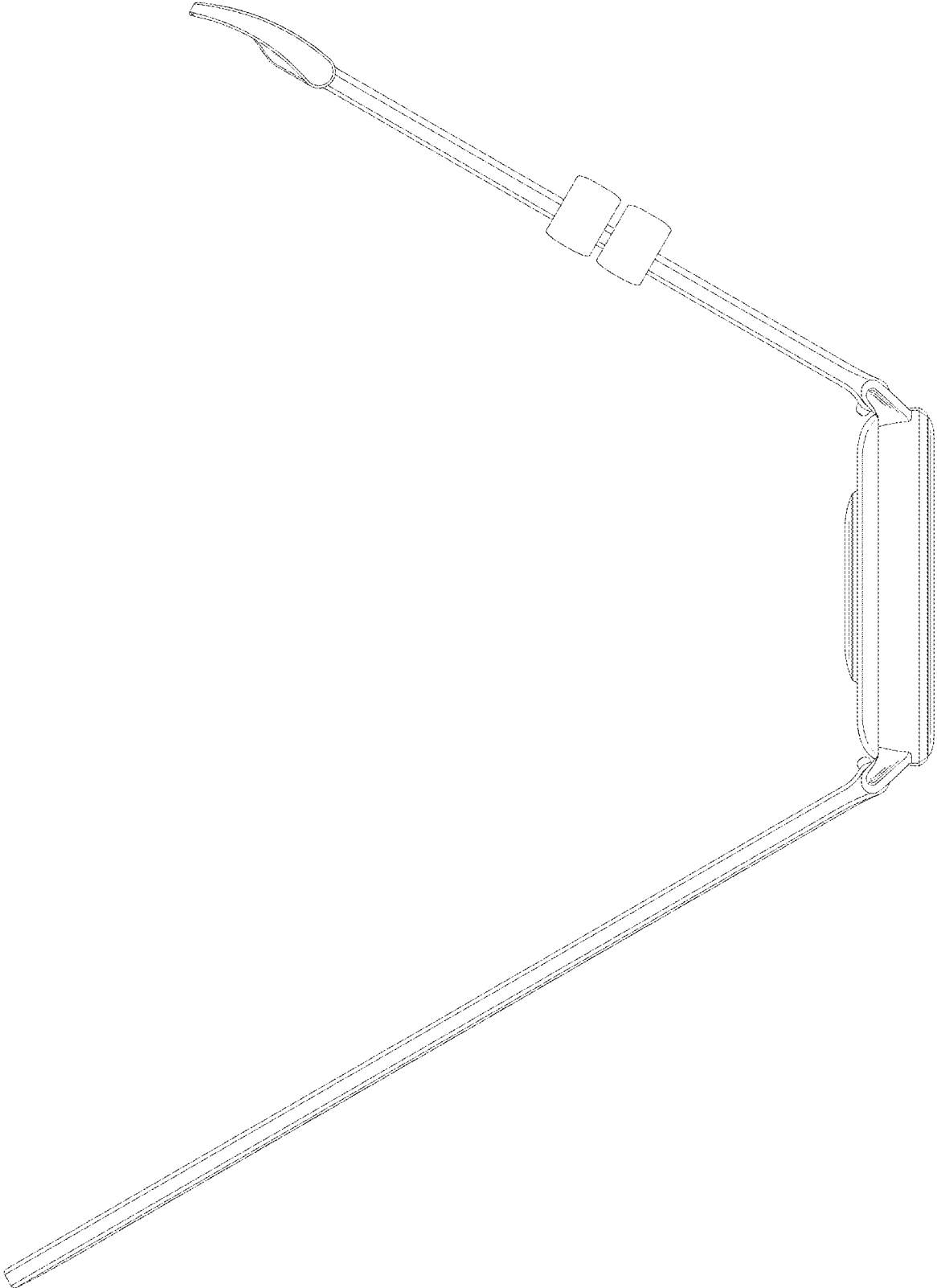


FIG. 7

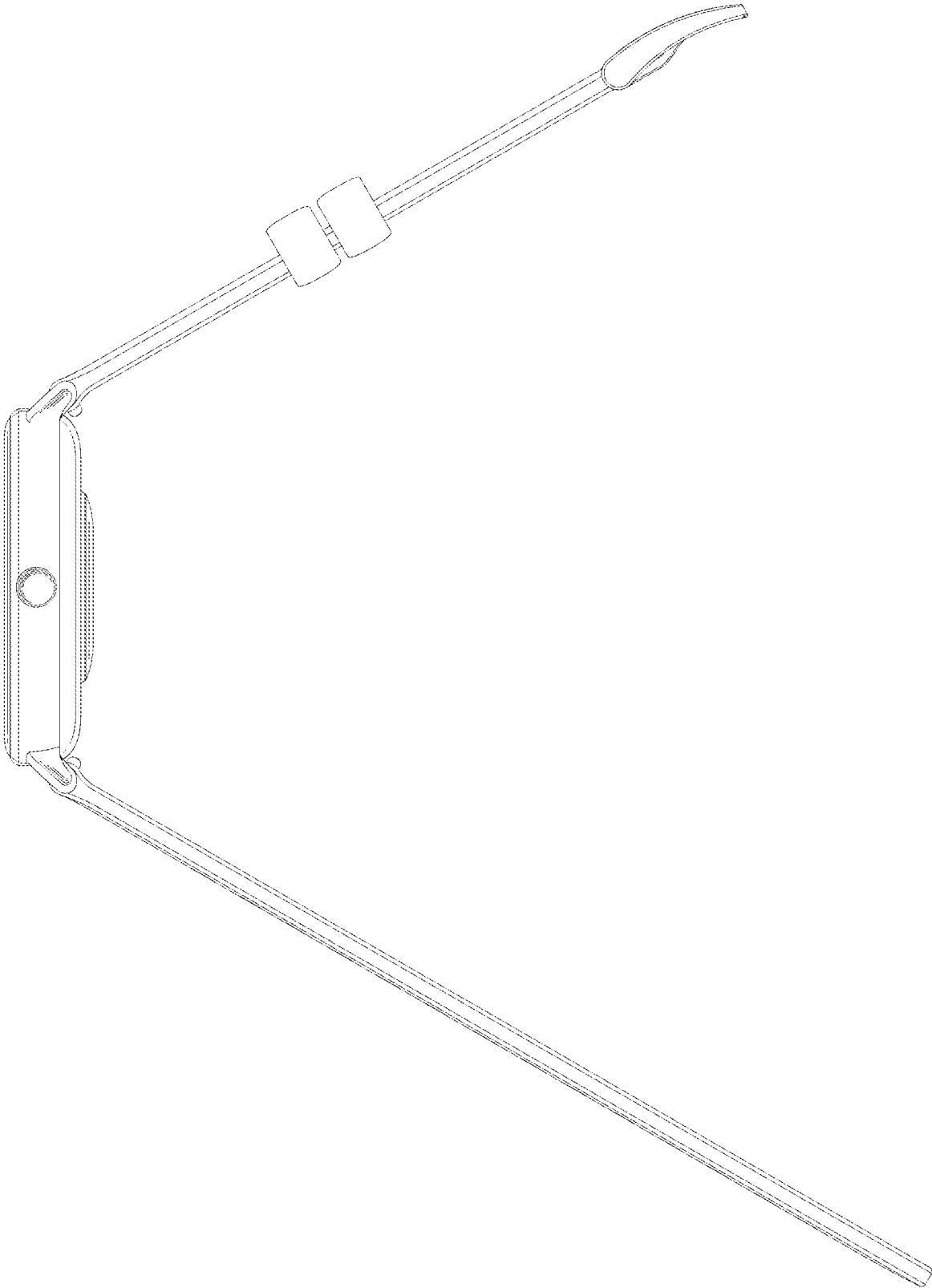


FIG. 8