



US00D360286S

# United States Patent [19]

[11] Patent Number: **Des. 360,286**

**Paffett et al.**

[45] Date of Patent: **\*\* Jul. 11, 1995**

[54] **KNEE PAD**

4,484,361 11/1984 Leighton et al. .... 2/24  
5,168,576 12/1992 Krent et al. .

[76] Inventors: **Nicholas B. Paffett**, 35 Eldridge Ct.,  
Hingham, Mass. 02043; **Edward D. Krent**, 207 Hampton Rd., Sharon,  
Mass. 02067

*Primary Examiner*—Ruth McInroy  
*Attorney, Agent, or Firm*—Buchanan Ingersoll; Robert J. Pugh

[\*\*] Term: **14 Years**

### [57] CLAIM

[21] Appl. No.: **11,607**

The ornamental design for a knee pad, as shown and described.

[22] Filed: **Aug. 11, 1993**

[52] U.S. Cl. .... **D29/121**

[58] Field of Search ..... D29/100, 120, 121, 122;  
D24/189, 190; 2/2. 16, 22, 24

### DESCRIPTION

### [56] References Cited

#### U.S. PATENT DOCUMENTS

D. 239.220	3/1976	Norman .	
D. 255.728	7/1980	Baron .	
D. 338.280	8/1993	Krent et al. ....	D29/121
D. 341.005	11/1993	Pratt .....	D29/121
D. 341.229	11/1993	Tsujino .....	D29/121
D. 346.245	4/1994	Krent et al. ....	D29/121
3,322.118	5/1967	Sotherlin .....	D29/121
4,250.578	2/1981	Barlow .	

FIG. 1 is a perspective view of a knee pad showing our new design;

FIG. 2 is a front elevational view thereof;

FIG. 3 is a right side elevational view thereof;

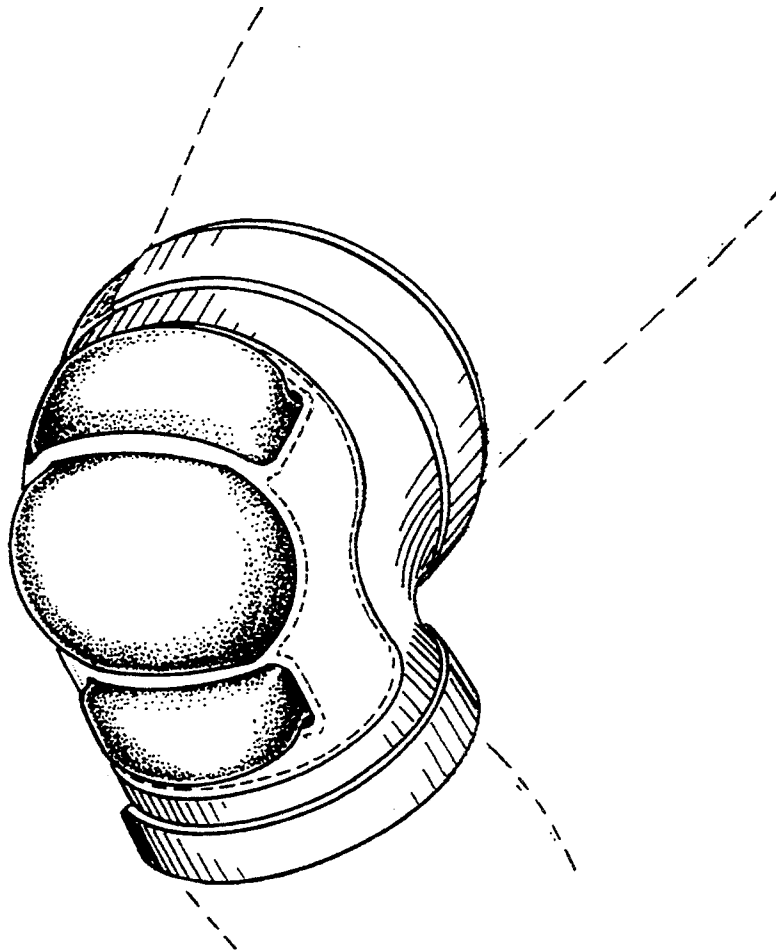
FIG. 4 is a top plan view thereof;

FIG. 5 is a bottom plan view thereof;

FIG. 6 is a left side elevational view thereof; and,

FIG. 7 is a rear elevational view thereof.

The leg shown in broken lines in FIG. 1 is for illustrative purposes only and forms no part of the claimed design. The broken lines on the knee pad represents conventional stitching and the cross hatchshading is understood to repeat throughout the indicated area.



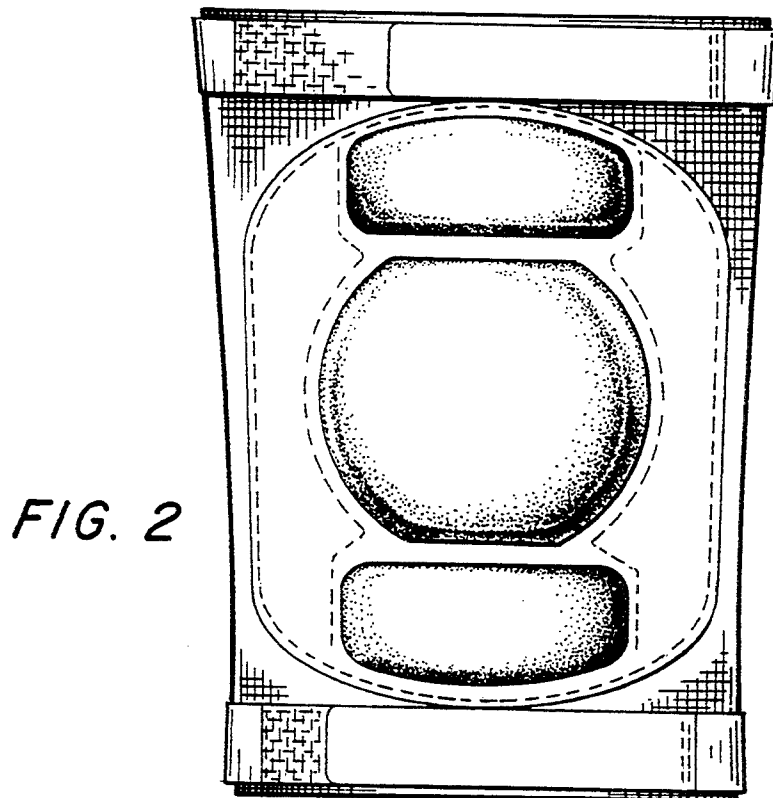
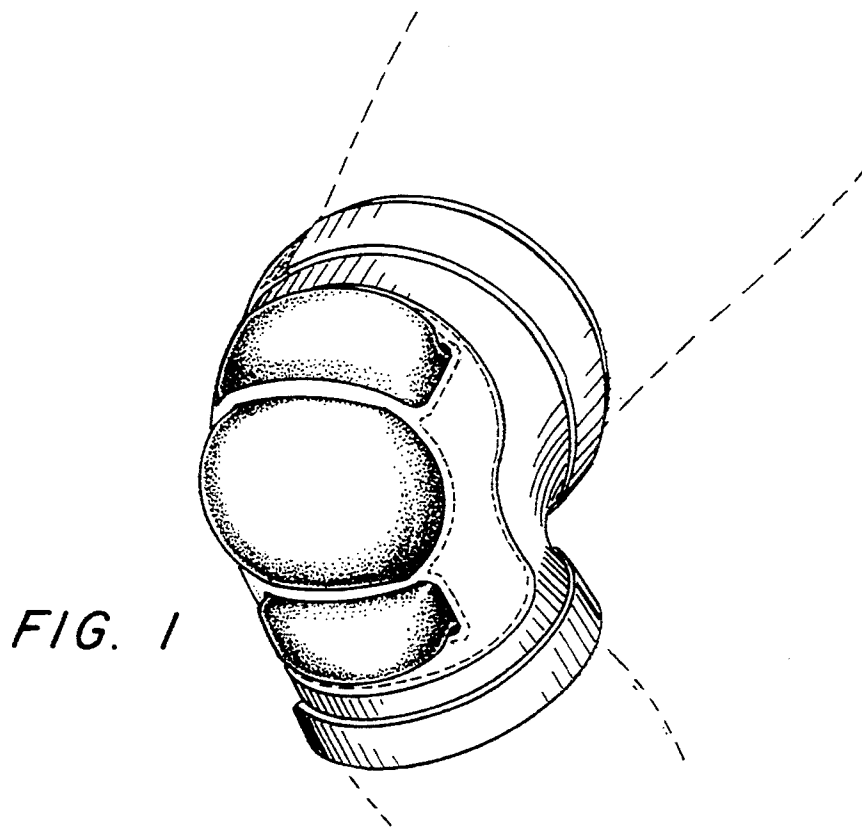


FIG. 3

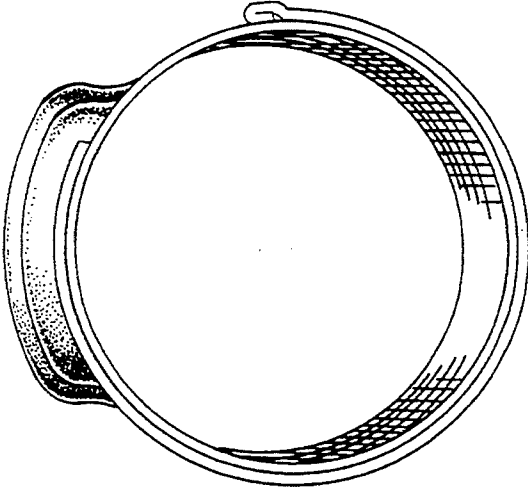
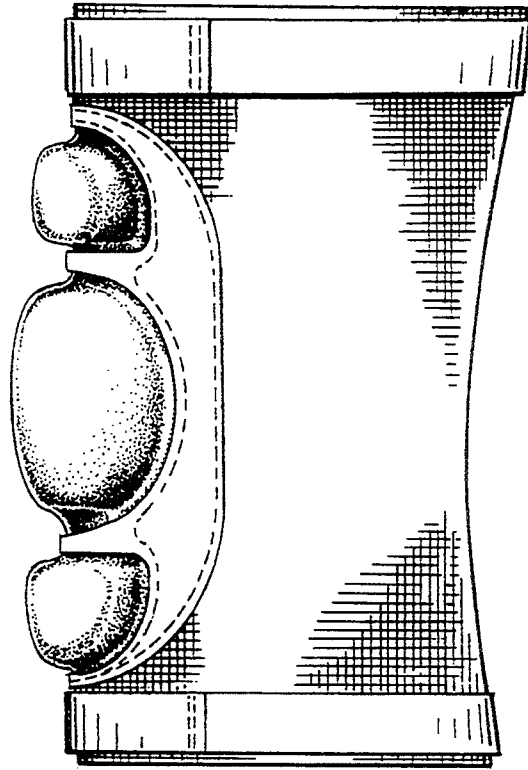


FIG. 4

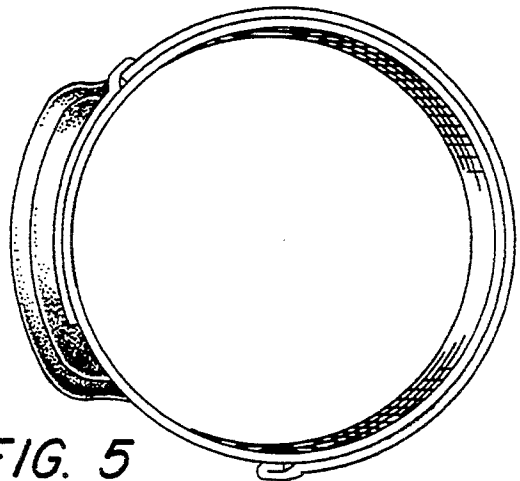


FIG. 5

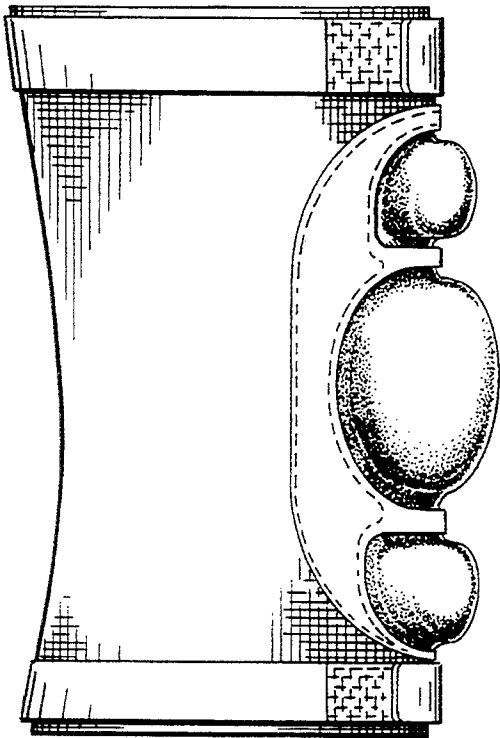


FIG. 6

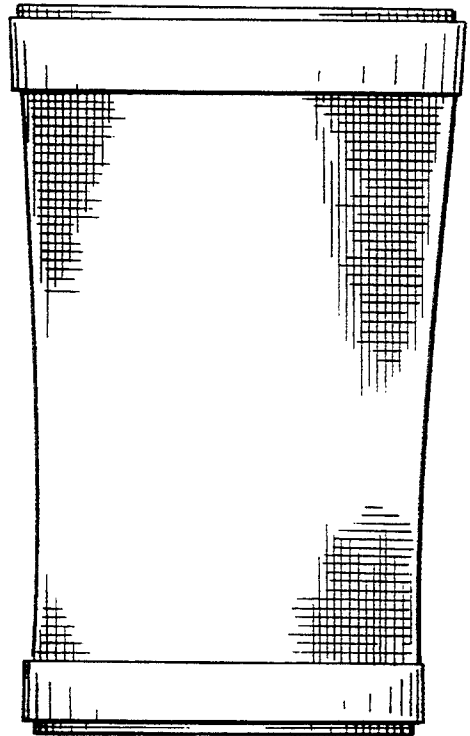


FIG. 7