



- (51) **International Patent Classification:**  
*B01D 46/00* (2006.01)      *B01D 46/24* (2006.01)
- (21) **International Application Number:**  
PCT/GB2019/053488
- (22) **International Filing Date:**  
10 December 2019 (10.12.2019)
- (25) **Filing Language:** English
- (26) **Publication Language:** English
- (30) **Priority Data:**  
1820636.7      18 December 2018 (18.12.2018) GB
- (71) **Applicant: MADISON FILTER 981 LIMITED** [GB/GB]; Suite 1 Festival Way, Festival Park, Stoke-on-Trent Staffordshire ST1 5SQ (GB).
- (72) **Inventors: HEGA, Detlef;** Hauptstrasse 2a, 37581 Bad Gandersheim, OT Harriehausen (DE). **PUROHIT, Purv;** Nuthestrasse 40D, 12307, Berlin (DE). **CHISEM, Ian Colin;** 157 Chester Road, Grappenhall, Warrington WA4 2SB (GB).
- (74) **Agent: WILSON GUNN (MANCHESTER);** 5th Floor, Blackfriars House, The Parsonage, Manchester Lancashire M3 2JA (GB).
- (81) **Designated States** (*unless otherwise indicated, for every kind of national protection available*): AE, AG, AL, AM, AO, AT, AU, AZ, BA, BB, BG, BH, BN, BR, BW, BY, BZ, CA, CH, CL, CN, CO, CR, CU, CZ, DE, DJ, DK, DM, DO, DZ, EC, EE, EG, ES, FI, GB, GD, GE, GH, GM, GT, HN, HR, HU, ID, IL, IN, IR, IS, JO, JP, KE, KG, KH, KN, KP, KR, KW, KZ, LA, LC, LK, LR, LS, LU, LY, MA, MD, ME, MG, MK, MN, MW, MX, MY, MZ, NA, NG, NI, NO, NZ, OM, PA, PE, PG, PH, PL, PT, QA, RO, RS, RU, RW, SA, SC, SD, SE, SG, SK, SL, SM, ST, SV, SY, TH, TJ, TM, TN, TR, TT, TZ, UA, UG, US, UZ, VC, VN, ZA, ZM, ZW.
- (84) **Designated States** (*unless otherwise indicated, for every kind of regional protection available*): ARIPO (BW, GH, GM, KE, LR, LS, MW, MZ, NA, RW, SD, SL, ST, SZ, TZ, UG, ZM, ZW), Eurasian (AM, AZ, BY, KG, KZ, RU, TJ, TM), European (AL, AT, BE, BG, CH, CY, CZ, DE, DK, EE, ES, FI, FR, GB, GR, HR, HU, IE, IS, IT, LT, LU, LV, MC, MK, MT, NL, NO, PL, PT, RO, RS, SE, SI, SK, SM,

(54) **Title:** MODULAR FILTER ELEMENT AND COUPLING

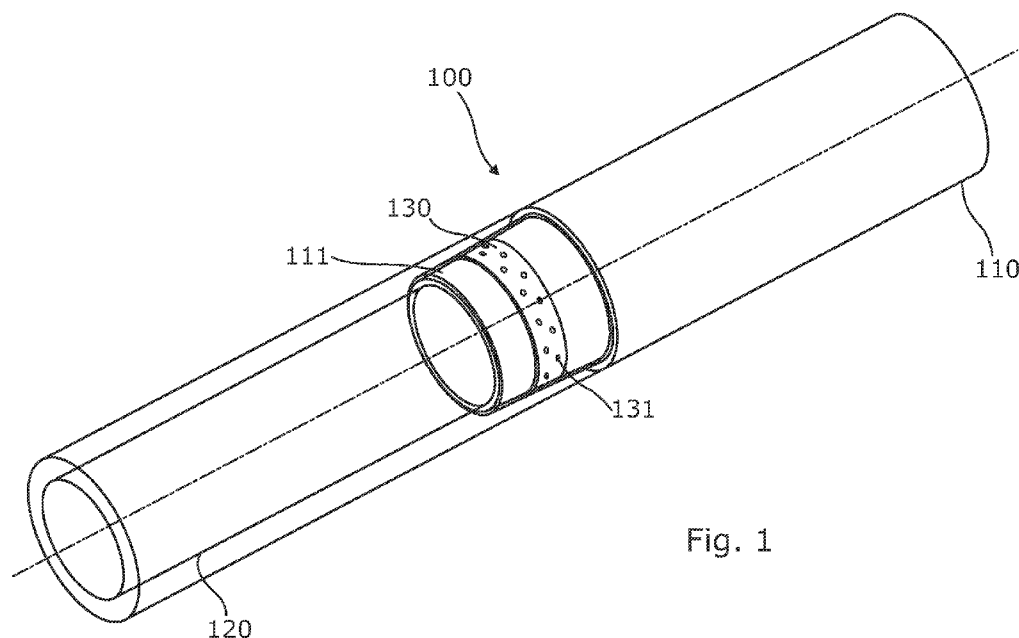


Fig. 1

(57) **Abstract:** The invention relates to a ceramic modular filter element comprising a first elongate hollow body, a second elongate hollow body and a sleeve for coupling the first elongate body to the second elongate body, wherein the first elongate hollow body comprises a frustoconical section, the second elongate hollow body is configured to receive the frustoconical section of the first elongate hollow body and the sleeve comprises projections for engaging with a surface of the first elongate hollow body and/or the second elongate hollow body.



TR), OAPI (BF, BJ, CF, CG, CI, CM, GA, GN, GQ, GW,  
KM, ML, MR, NE, SN, TD, TG).

**Published:**

- *with international search report (Art. 21(3))*
- *before the expiration of the time limit for amending the claims and to be republished in the event of receipt of amendments (Rule 48.2(h))*

**(88) Date of publication of the international search report:**

20 August 2020 (20.08.2020)

INTERNATIONAL SEARCH REPORT

International application No  
PCT/GB2019/053488

A. CLASSIFICATION OF SUBJECT MATTER  
INV. B01D46/00 B01D46/24  
ADD.  
According to International Patent Classification (IPC) or to both national classification and IPC

B. FIELDS SEARCHED  
Minimum documentation searched (classification system followed by classification symbols)  
B01D  
Documentation searched other than minimum documentation to the extent that such documents are included in the fields searched

Electronic data base consulted during the international search (name of data base and, where practicable, search terms used)  
EPO-Internal, WPI Data

C. DOCUMENTS CONSIDERED TO BE RELEVANT		
Category*	Citation of document, with indication, where appropriate, of the relevant passages	Relevant to claim No.
A	EP 0 588 525 A1 (FOSECO INT [GB]) 23 March 1994 (1994-03-23) abstract; figure 1	1-25
A	EP 0 459 163 A2 (HEIMBACH GMBH THOMAS JOSEF [DE]) 4 December 1991 (1991-12-04) abstract; figure 4	1-25
A	EP 0 317 190 A1 (FOSECO INT [GB]) 24 May 1989 (1989-05-24) abstract; figures 2,3a,3b	1-25
A	DE 28 56 471 A1 (IND WERT BETEILIGUNGSGESELLSCH) 7 August 1980 (1980-08-07) claim 1; figure 1	1-25
	----- -/--	

Further documents are listed in the continuation of Box C.

See patent family annex.

\* Special categories of cited documents :

<p>"A" document defining the general state of the art which is not considered to be of particular relevance</p> <p>"E" earlier application or patent but published on or after the international filing date</p> <p>"L" document which may throw doubts on priority claim(s) or which is cited to establish the publication date of another citation or other special reason (as specified)</p> <p>"O" document referring to an oral disclosure, use, exhibition or other means</p> <p>"P" document published prior to the international filing date but later than the priority date claimed</p>	<p>"T" later document published after the international filing date or priority date and not in conflict with the application but cited to understand the principle or theory underlying the invention</p> <p>"X" document of particular relevance; the claimed invention cannot be considered novel or cannot be considered to involve an inventive step when the document is taken alone</p> <p>"Y" document of particular relevance; the claimed invention cannot be considered to involve an inventive step when the document is combined with one or more other such documents, such combination being obvious to a person skilled in the art</p> <p>"&amp;" document member of the same patent family</p>
---	---

Date of the actual completion of the international search <b>6 July 2020</b>	Date of mailing of the international search report <b>14/07/2020</b>
---	---

Name and mailing address of the ISA/ European Patent Office, P.B. 5818 Patentlaan 2 NL - 2280 HV Rijswijk Tel. (+31-70) 340-2040, Fax: (+31-70) 340-3016	Authorized officer <b>Sembritzki, Thorsten</b>
--	---

# INTERNATIONAL SEARCH REPORT

International application No  
PCT/GB2019/053488

C(Continuation). DOCUMENTS CONSIDERED TO BE RELEVANT		
Category*	Citation of document, with indication, where appropriate, of the relevant passages	Relevant to claim No.
A	EP 0 730 896 A2 (TENMAT LTD [GB]) 11 September 1996 (1996-09-11) abstract; claim 5; figure 4 -----	1-25

# INTERNATIONAL SEARCH REPORT

Information on patent family members

International application No

PCT/GB2019/053488

Patent document cited in search report	Publication date	Patent family member(s)	Publication date
EP 0588525	A1	23-03-1994	EP 0588525 A1 23-03-1994
			JP H06190232 A 12-07-1994
EP 0459163	A2	04-12-1991	AT 126087 T 15-08-1995
			CA 2042705 A1 27-11-1991
			DE 4017071 A1 28-11-1991
			DE 59106186 D1 14-09-1995
			DK 0459163 T3 27-11-1995
			EP 0459163 A2 04-12-1991
			ES 2079511 T3 16-01-1996
			FI 912430 A 27-11-1991
			NO 177486 B 19-06-1995
			US 5223012 A 29-06-1993
EP 0317190	A1	24-05-1989	AT 84433 T 15-01-1993
			DE 8715130 U1 28-01-1988
			EP 0317190 A1 24-05-1989
			US 4894070 A 16-01-1990
DE 2856471	A1	07-08-1980	NONE
EP 0730896	A2	11-09-1996	AU 708325 B2 05-08-1999
			EP 0730896 A2 11-09-1996
			GB 2298591 A 11-09-1996