



US00D601552S

(12) **United States Design Patent**
Christiansen et al.

(10) **Patent No.:** **US D601,552 S**

(45) **Date of Patent:** **** Oct. 6, 2009**

- (54) **SET OF KEYS FOR A HANDSET**
- (75) Inventors: **Thomas Christiansen**, Kobenhavn O (DK); **Anton Fahlgren**, Copenhagen (DK)
- (73) Assignee: **Nokia Corporation**, Espoo (FI)
- (**) Term: **14 Years**
- (21) Appl. No.: **29/320,173**
- (22) Filed: **Jun. 23, 2008**

D530,297 S	10/2006	Moon et al.	
D533,530 S	12/2006	Kim et al.	
D593,531 S *	6/2009	Lee et al.	D14/138 AD
D594,003 S *	6/2009	Dhondt	D14/247
D594,832 S *	6/2009	Millora	D14/138 AD
D594,841 S *	6/2009	Lee et al.	D14/138 AD
2005/0090298 A1	4/2005	Park et al.	
2005/0124381 A1	6/2005	Kim et al.	
2007/0021160 A1 *	1/2007	Li	455/575.4
2008/0207188 A1 *	8/2008	Ahn et al.	455/418

(Continued)

OTHER PUBLICATIONS

Nokia 6500 slide, announced May 2007, [online], [retrieved on Oct. 3, 2008]. Retrieved from Internet ,<URL: <http://www.gsmarena.com>>.*

(Continued)

Primary Examiner—Jeffrey D Asch
Assistant Examiner—Bridget L Eland
(74) *Attorney, Agent, or Firm*—Banner & Witcoff, Ltd.

Related U.S. Application Data

- (63) Continuation of application No. 29/280,450, filed on May 29, 2007, now Pat. No. Des. 571,766.

Foreign Application Priority Data

Nov. 28, 2006 (FI) M20060220

- (51) **LOC (9) Cl.** **14-03**
- (52) **U.S. Cl.** **D14/247**
- (58) **Field of Classification Search** D14/247–248, D14/138 R, 138 AD, 138 AC, 138 C, 138 G, D14/191, 203.1–203.8, 496, 144, 244, 432, D14/439, 455, 456, 138 AA, 138 AB, 137, D14/147, 218, 341–347; D10/65, 78, 104; D13/168; D18/7; 455/566, 575.1, 575.3; 345/169

See application file for complete search history.

CLAIM

The ornamental design for a set of keys for a handset, as shown and described.

DESCRIPTION

FIG. 1 is a bottom plan view of a set of keys for a handset showing our new design;

FIG. 2 is a right side view thereof;

FIG. 3 is a front view thereof;

FIG. 4 is a left side view thereof;

FIG. 5 is a top plan view thereof; and,

FIG. 6 is a perspective front view thereof.

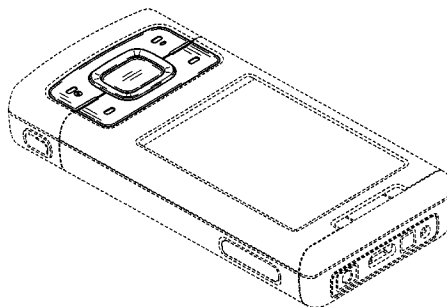
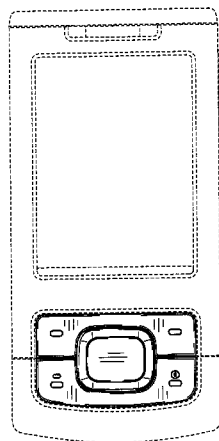
The broken line showing of the remainder of the handset is directed to environment and is for illustrative purposes only; the broken lines form no part of the claimed design.

1 Claim, 3 Drawing Sheets

(56) **References Cited**

U.S. PATENT DOCUMENTS

D503,164 S	3/2005	Park et al.	
D515,060 S *	2/2006	Lee et al.	D14/138 AD
D518,464 S *	4/2006	Lee et al.	D14/138 AB
D526,222 S	8/2006	Uehara	
D526,297 S	8/2006	Lee et al.	
D526,303 S	8/2006	Kim et al.	
D528,532 S	9/2006	Dimitriadis et al.	
D529,474 S	10/2006	Park et al.	
D529,475 S *	10/2006	Lee et al.	D14/138 AD



US D601,552 S

Page 2

U.S. PATENT DOCUMENTS

D535,966 S * 1/2007 Lee et al. D14/138 AD
D536,691 S 2/2007 Park
D545,843 S 7/2007 Song
D546,798 S 7/2007 Kim et al.
D548,213 S 8/2007 Lee et al.
D548,710 S * 8/2007 Lee et al. D14/138 AD
D549,202 S 8/2007 Kim et al.
D550,189 S 9/2007 Kim et al.
D551,646 S 9/2007 Kim et al.
D553,111 S 10/2007 Holmung et al.
D557,241 S 12/2007 Lee
D558,724 S 1/2008 Hsu et al.
D559,238 S 1/2008 Lyles
D560,191 S 1/2008 Choi et al.
D561,156 S 2/2008 Jung et al.
D562,279 S * 2/2008 Lee et al. D14/138 AD
D563,370 S * 3/2008 Choi et al. D14/138 AD

D565,011 S * 3/2008 Lee et al. D14/138 AD
D571,766 S * 6/2008 Christiansen et al. D14/138 AD
D571,794 S * 6/2008 Holmung et al. D14/247
D576,590 S * 9/2008 Benoit D14/138 AD
D584,708 S * 1/2009 Wu et al. D14/138 AD
D586,794 S * 2/2009 Okkonen D14/247

OTHER PUBLICATIONS

O2 XDA Zinc, announced Dec. 2006, [online], [retrieved on Feb. 20, 2007]. Retrieved from Internet, <URL: <http://www.gsmarena.com>>.
Philips Xenium 9@9m, announced May 2007, [online], [retrieved on May 18, 2007]. Retrieved from Internet, <URL: <http://www.gsmarena.com>>.
Bird D736, announced 2007, [online], [retrieved on Aug. 6, 2007]. Retrieved from Internet, <URL: <http://www.gsmarena.com>>.
Asus P550, announced Dec. 2007, [online], [retrieved on Jan. 18, 2008]. Retrieved from Internet, <URL: <http://www.gsmarena.com>>.

* cited by examiner

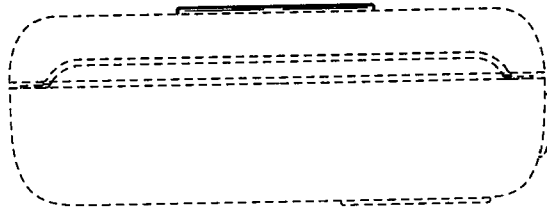


FIG. 1

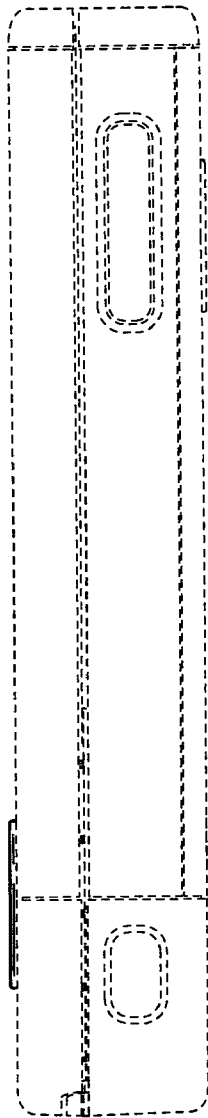


FIG. 2

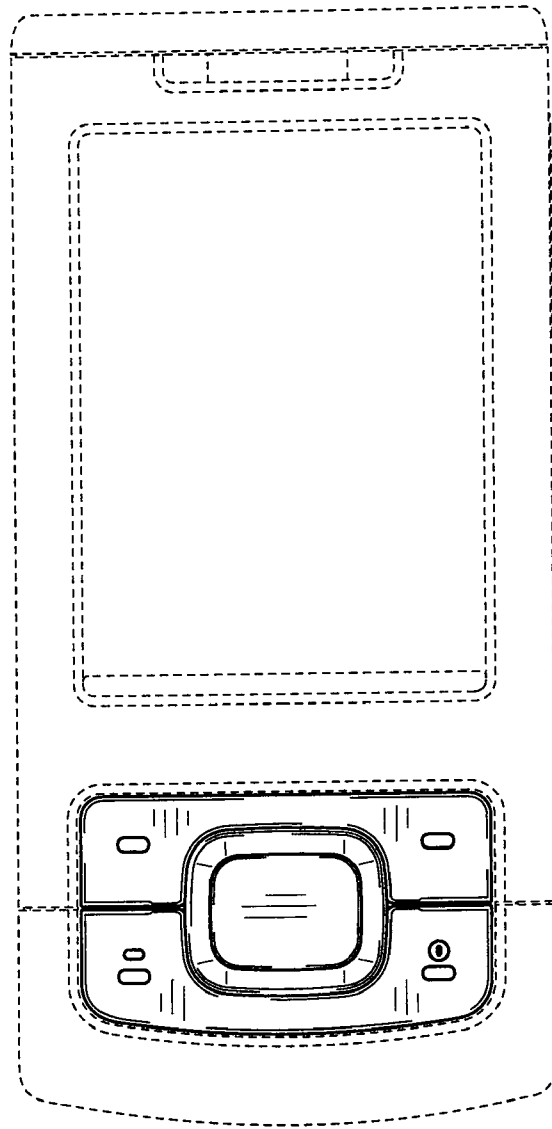


FIG. 3

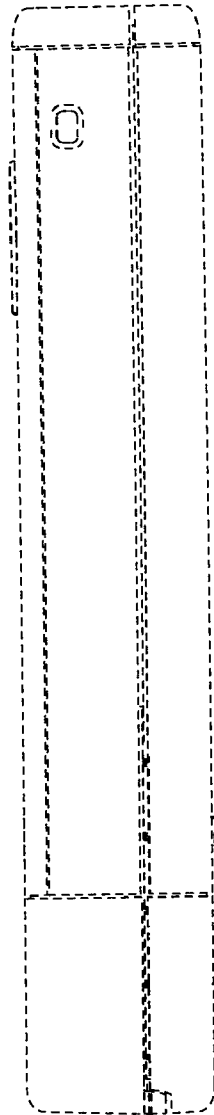


FIG. 4

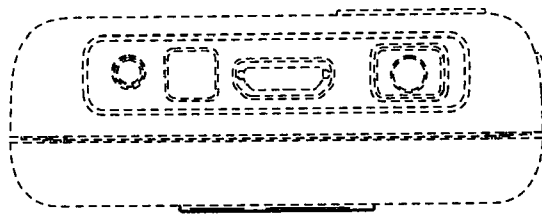


FIG. 5

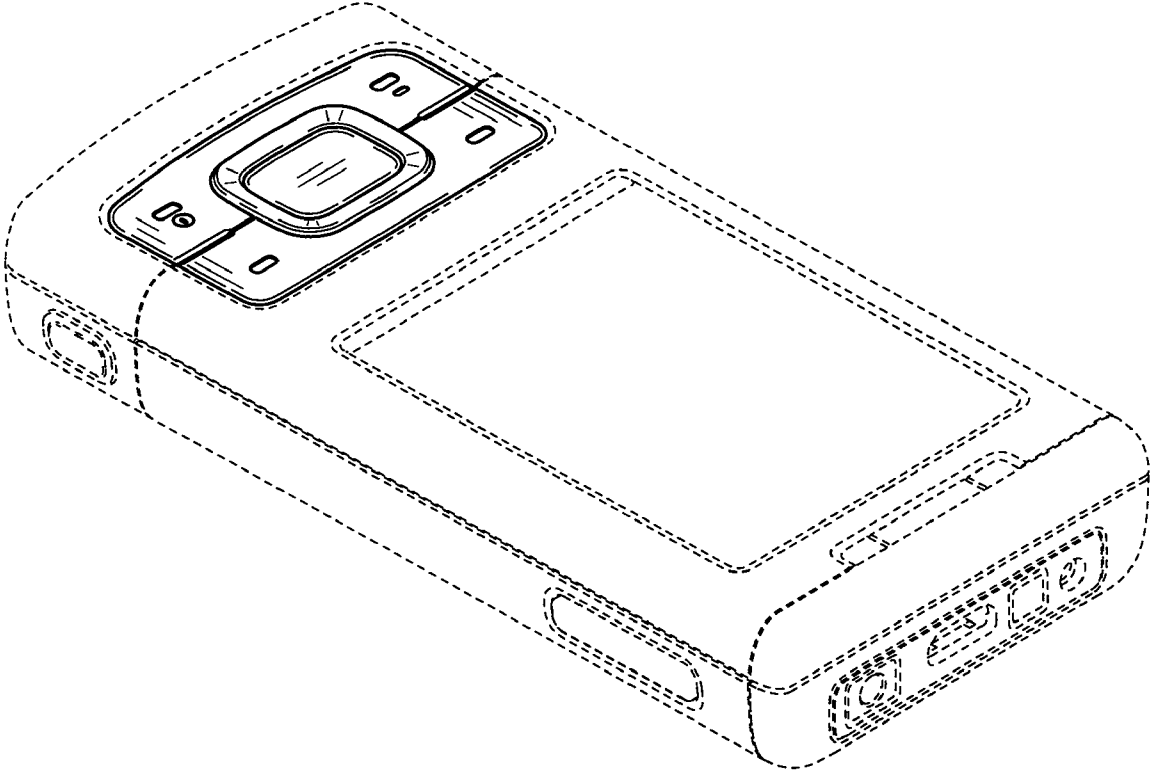


FIG. 6