



US00D903608S

(12) **United States Design Patent**  
**Chretien et al.**

(10) **Patent No.:** **US D903,608 S**  
(45) **Date of Patent:** **\*\* Dec. 1, 2020**

(54) **REMOTE CONTROL WITH WALL SUPPORT**

(71) Applicant: **Distech Controls SAS**, Brignais (FR)

(72) Inventors: **Arthur Chretien**, Lyons (FR); **Jeremy Delhomme**, Lyons (FR); **Sebastien Doublier**, Villeurbanne (FR)

(73) Assignee: **DISTECH CONTROLS SAS**, Brignais (FR)

(\*\*) Term: **15 Years**

(21) Appl. No.: **29/692,190**

(22) Filed: **May 23, 2019**

(30) **Foreign Application Priority Data**

Nov. 28, 2018 (CA) ..... 184850

(51) **LOC (12) Cl.** ..... **13-03**

(52) **U.S. Cl.**

USPC ..... **D13/162**; D10/50

(58) **Field of Classification Search**

USPC ..... D13/162, 168; D10/49, 50, 60; D14/218

CPC ..... F24F 11/30; F24F 11/50; G05B 19/0426;

G05B 19/048; G05B 19/409; G05B

15/02; G06F 1/1601; G06F 3/041; G06F

3/044; G06F 3/0482; G06F 3/0488; G06F

3/0489; G05D 23/1902; G05D 23/1905;

G05D 23/1923; G05D 23/1931; G05D

23/1934; H01H 9/02; H05B 37/02

See application file for complete search history.

(56) **References Cited**

**U.S. PATENT DOCUMENTS**

D610,475 S \* 2/2010 Beers ..... D10/50

D733,589 S \* 7/2015 Cusell ..... D10/50

D766,193 S \* 9/2016 Desagre ..... D13/168

D771,628 S \* 11/2016 Bae ..... D14/374

D802,590 S \* 11/2017 Bae ..... D14/374  
D802,591 S \* 11/2017 Bae ..... D14/374  
D814,321 S \* 4/2018 Abdala ..... D10/50  
D820,224 S \* 6/2018 Mori ..... D13/168  
D823,265 S \* 7/2018 Meda ..... D13/168  
D825,496 S \* 8/2018 Yagisawa ..... D13/168  
D825,521 S \* 8/2018 Yagisawa ..... D14/168  
D836,566 S \* 12/2018 Yagisawa ..... D13/168  
D843,246 S \* 3/2019 Sinha ..... D10/60  
D843,247 S \* 3/2019 Ribbich ..... D10/60  
D844,570 S \* 4/2019 Kornacki ..... D13/162  
D862,400 S \* 10/2019 Chretien ..... D13/162  
2016/0295176 A1\* 10/2016 Jeong ..... H04N 9/30

(Continued)

*Primary Examiner* — Selina Sikder

(74) *Attorney, Agent, or Firm* — RatnerPrestia

(57) **CLAIM**

The ornamental design for a remote control with wall support, as shown and described.

**DESCRIPTION**

FIG. 1 is a front perspective view of the remote control with wall support;

FIG. 2 is a front view of the remote control with wall support;

FIG. 3 is a side view of the remote control with wall support;

FIG. 4 is a back view of the remote control with wall support;

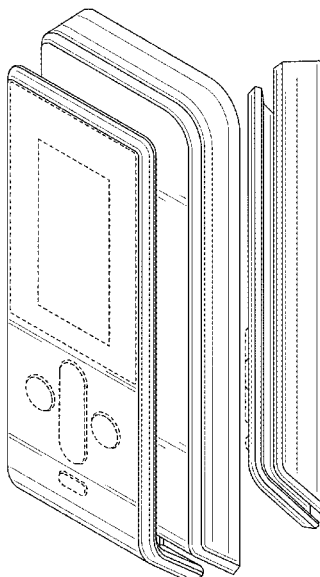
FIG. 5 is another side view of the remote control with wall support;

FIG. 6 is a top view of the remote control with wall support; and,

FIG. 7 is a bottom view of the remote control with wall support.

The broken line showing of the remote control with wall support is for the purpose of illustrating portions of the remote control with wall support and forms no part of the claimed design.

**1 Claim, 7 Drawing Sheets**



(56)

**References Cited**

U.S. PATENT DOCUMENTS

2016/0327299 A1\* 11/2016 Ribbich ..... F24F 11/62  
2018/0203475 A1\* 7/2018 Van Derven ..... G05D 23/1919

\* cited by examiner

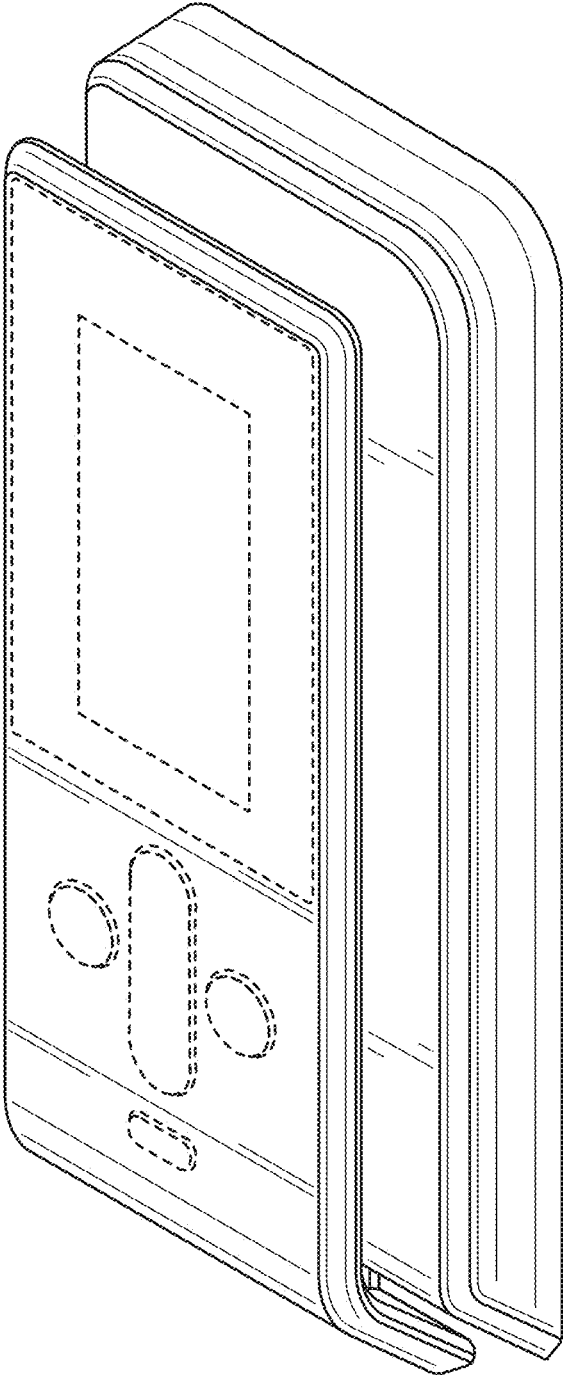


FIG. 1

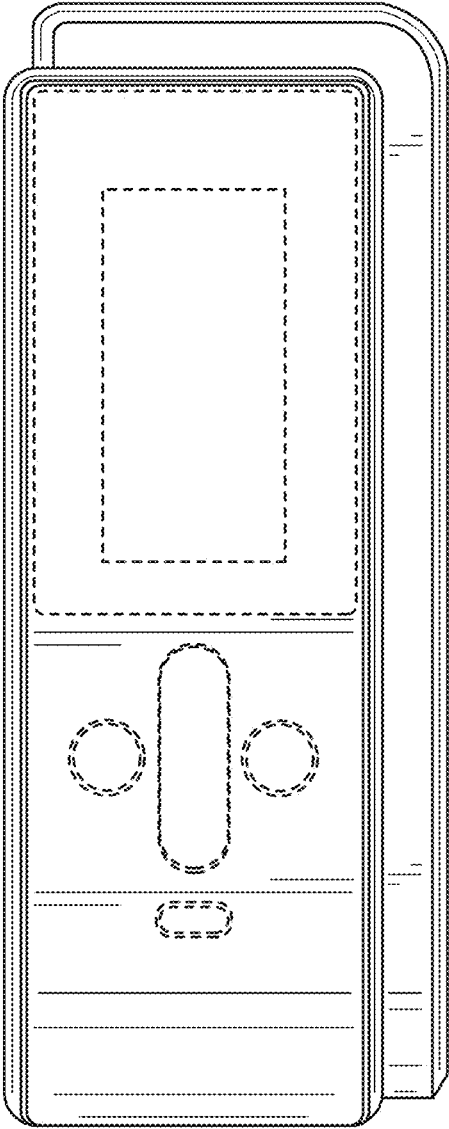


FIG. 2

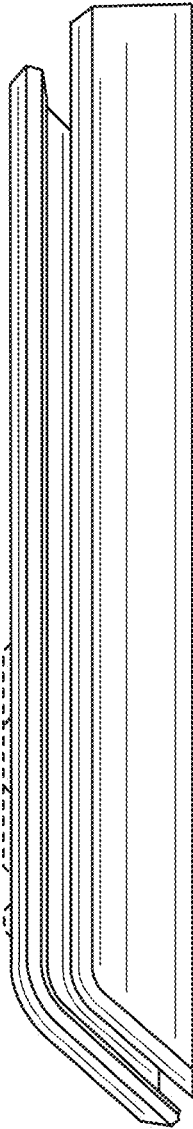


FIG. 3

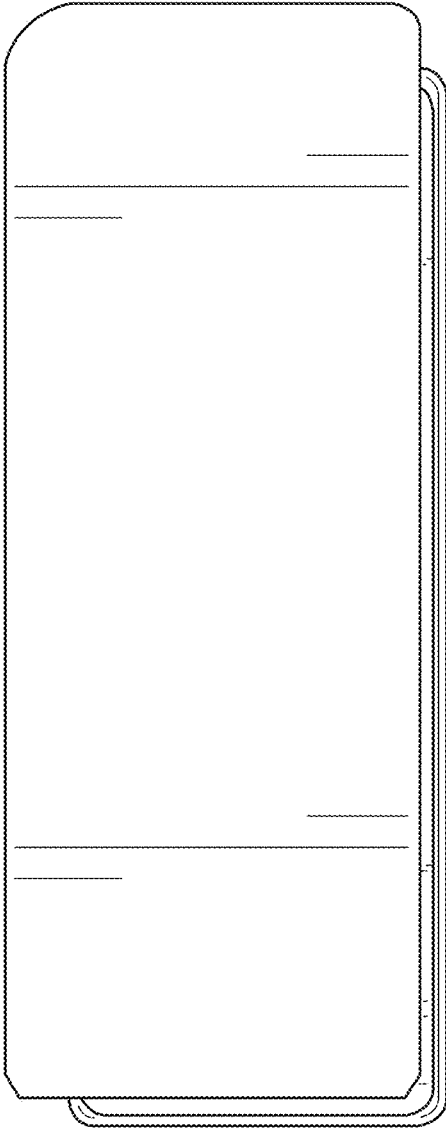


FIG. 4

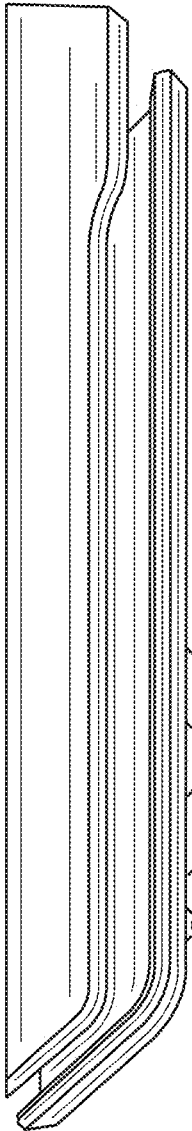


FIG. 5

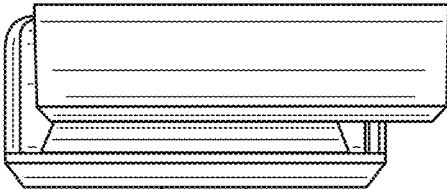


FIG. 6

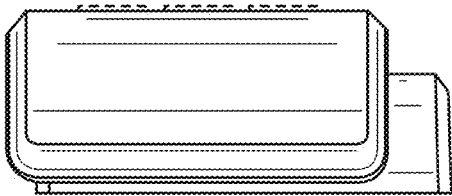


FIG. 7