

(19) World Intellectual Property Organization
International Bureau



(43) International Publication Date
18 January 2007 (18.01.2007)

PCT

(10) International Publication Number
WO 2007/006516 A3

- (51) International Patent Classification:
H05H 1/24 (2006.01) H05H 1/34 (2006.01)
- (21) International Application Number:
PCT/EP2006/006688
- (22) International Filing Date: 7 July 2006 (07.07.2006)
- (25) Filing Language: English
- (26) Publication Language: English
- (30) Priority Data:
0501602-7 8 July 2005 (08.07.2005) SE
- (71) Applicants (for all designated States except US):
PLASMA SURGICAL SVENSKA AB [SE/SE];
Bergfotsgatan 5, S-431 35 Mölndal (SE). PLASMA
SURGICAL INVESTMENTS LIMITED; Sea Meadow
House, P.O. Box 116, Road Town, Tortola (VG).
- (72) Inventor; and
- (75) Inventor/Applicant (for US only): SUSLOV, Nikolay
[SE/SE]; Hångestensvägen 45, S-421 67 Västra Frölunda
(SE).
- (74) Agent: AWAPATENT AB; Box 11394, S-404 28 Göte-
borg (SE).
- (81) Designated States (unless otherwise indicated, for every
kind of national protection available): AE, AG, AL, AM,

AT, AU, AZ, BA, BB, BG, BR, BW, BY, BZ, CA, CH, CN,
CO, CR, CU, CZ, DE, DK, DM, DZ, EC, EE, EG, ES, FI,
GB, GD, GE, GH, GM, HN, HR, HU, ID, IL, IN, IS, JP,
KE, KG, KM, KN, KP, KR, KZ, LA, LC, LK, LR, LS, LT,
LU, LV, LY, MA, MD, MG, MK, MN, MW, MX, MZ, NA,
NG, NI, NO, NZ, OM, PG, PH, PL, PT, RO, RS, RU, SC,
SD, SE, SG, SK, SL, SM, SY, TJ, TM, TN, TR, TT, TZ,
UA, UG, US, UZ, VC, VN, ZA, ZM, ZW.

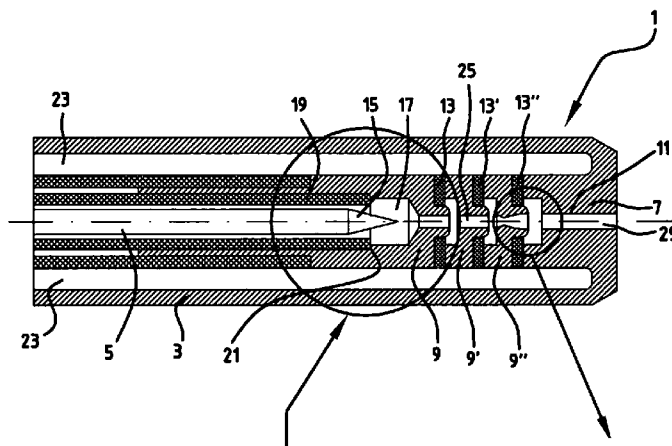
(84) Designated States (unless otherwise indicated, for every
kind of regional protection available): ARIPO (BW, GH,
GM, KE, LS, MW, MZ, NA, SD, SL, SZ, TZ, UG, ZM,
ZW), Eurasian (AM, AZ, BY, KG, KZ, MD, RU, TJ, TM),
European (AT, BE, BG, CH, CY, CZ, DE, DK, EE, ES, FI,
FR, GB, GR, HU, IE, IS, IT, LT, LU, LV, MC, NL, PL, PT,
RO, SE, SI, SK, TR), OAPI (BF, BJ, CF, CG, CI, CM, GA,
GN, GQ, GW, ML, MR, NE, SN, TD, TG).

Published:
— with international search report
— before the expiration of the time limit for amending the
claims and to be republished in the event of receipt of
amendments

(88) Date of publication of the international search report:
12 April 2007

For two-letter codes and other abbreviations, refer to the "Guid-
ance Notes on Codes and Abbreviations" appearing at the begin-
ning of each regular issue of the PCT Gazette.

(54) Title: PLASMA-GENERATING DEVICE, PLASMA SURGICAL DEVICE, USE OF A PLASMA-GENERATING DEVICE
AND METHOD OF GENERATING A PLASMA



(57) Abstract: The present invention relates to a plasma-generating device comprising an anode, a cathode and an elongate plasma channel which extends substantially in the direction from said cathode to said anode. The plasma channel has a throttling portion which is arranged in said plasma channel between said cathode and an outlet opening arranged in said anode. Said throttling portion divides said plasma channel into a high pressure chamber, which is positioned on a side of the throttling portion closest to the cathode, and has a first maximum cross-sectional surface transversely to the longitudinal direction of the plasma channel, and a low pressure chamber, which opens into said anode and has a second maximum cross-sectional surface transversely to the longitudinal direction of the plasma channel, said throttling portion having a third cross-sectional surface transversely to the longitudinal direction of the plasma channel which is smaller than said first maximum cross-sectional surface and said second maximum cross-sectional surface. Moreover at least one intermediate electrode is arranged between said cathode and said throttling portion. The invention also relates to a plasma surgical device, use of such a plasma surgical device in surgery and a method of generating a plasma.

WO 2007/006516 A3

INTERNATIONAL SEARCH REPORT

International application No
PCT/EP2006/006688A. CLASSIFICATION OF SUBJECT MATTER
INV. H05H1/24 H05H1/34

According to International Patent Classification (IPC) or to both national classification and IPC

B. FIELDS SEARCHED

Minimum documentation searched (classification system followed by classification symbols)
H05H

Documentation searched other than minimum documentation to the extent that such documents are included in the fields searched

Electronic data base consulted during the international search (name of data base and, where practical, search terms used)

EPO-Internal, WPI Data

C. DOCUMENTS CONSIDERED TO BE RELEVANT

Category*	Citation of document, with indication, where appropriate, of the relevant passages	Relevant to claim No.
X	US 3 360 988 A (STINE HOWARD A ET AL) 2 January 1968 (1968-01-02)	1-5, 10, 11, 13-17, 26, 32, 33, 37
Y	column 2, line 13 - line 22 column 2, line 53 - column 3, line 65	7, 18-25, 27, 34, 38, 41-46
A	column 4, line 48 - line 71 figure 1	8, 9, 28-31, 35, 36, 39, 40
	----- -/--	

 Further documents are listed in the continuation of Box C. See patent family annex.

* Special categories of cited documents :

- *A* document defining the general state of the art which is not considered to be of particular relevance
- *E* earlier document but published on or after the international filing date
- *L* document which may throw doubts on priority claim(s) or which is cited to establish the publication date of another citation or other special reason (as specified)
- *O* document referring to an oral disclosure, use, exhibition or other means
- *P* document published prior to the international filing date but later than the priority date claimed

- *T* later document published after the international filing date or priority date and not in conflict with the application but cited to understand the principle or theory underlying the invention
- *X* document of particular relevance; the claimed invention cannot be considered novel or cannot be considered to involve an inventive step when the document is taken alone
- *Y* document of particular relevance; the claimed invention cannot be considered to involve an inventive step when the document is combined with one or more other such documents, such combination being obvious to a person skilled in the art.
- *Z* document member of the same patent family

Date of the actual completion of the international search

16 January 2007

Date of mailing of the international search report

14/02/2007

Name and mailing address of the ISA/

European Patent Office, P.B. 5818 Patentlaan 2
NL - 2280 HV Rijswijk
Tel. (+31-70) 340-2040, Tx. 31 651 epo nl,
Fax: (+31-70) 340-3016

Authorized officer

Capostagno, Eros

C(Continuation). DOCUMENTS CONSIDERED TO BE RELEVANT		
Category*	Citation of document, with indication, where appropriate, of the relevant passages	Relevant to claim No.
X A	US 3 082 314 A (YOSHIKI ARATA ET AL) 19 March 1963 (1963-03-19) column 2, line 73 - column 3, line 44 figure 3	1, 4, 10, 16, 26 22-24
X	WO 2004/105450 A (OTB GROUP BV [NL]; BIJKER MARTIN DINANT [NL]; CLIJSEN LEONARDUS PETERU) 2 December 2004 (2004-12-02) page 7, line 11 - page 8, line 2 figure 2	1, 4, 11-17, 26
X	FR 2 193 299 A1 (VYSOKA SKOLA CHEM TECH [CS]) 15 February 1974 (1974-02-15) page 2, line 1 - page 4, line 27 figure	1, 4, 5, 10, 12, 14-16, 26
Y	WO 02/30308 A (TANRISEVER NAIM ERTURK [TR]) 18 April 2002 (2002-04-18) page 4, line 10 - line 13 page 5, line 24 - line 31 page 12, line 15 - page 13, line 19 page 14, line 3 - line 11 page 26, line 28 - line 30	7, 18-21, 27, 34, 41-43, 46
A	figure 5; table 3	28-31
Y	US 3 903 891 A (BRAYSHAW FORREST G) 9 September 1975 (1975-09-09) column 5, line 14 - line 16 column 9, line 66 - column 10, line 5	22-25, 38, 44, 45
A	claim 15	39-43
A	WO 2004/030551 A (PLASMA SURGICAL INVEST LTD [GB]; SUSLOV NIKOLAY [SE]) 15 April 2004 (2004-04-15) cited in the application page 1, line 3 - line 12 page 8, line 20 - page 9, line 10 figure 3	18, 19, 46

INTERNATIONAL SEARCH REPORT

Information on patent family members

International application No

PCT/EP2006/006688

Patent document cited in search report	Publication date	Patent family member(s)	Publication date
US 3360988	A	02-01-1968	NONE
US 3082314	A	19-03-1963	NONE
WO 2004105450	A	02-12-2004	CN 1792122 A 21-06-2006 EP 1632114 A1 08-03-2006 JP 2006528415 T 14-12-2006 KR 20060031604 A 12-04-2006 NL 1023491 C2 24-11-2004 US 2006292891 A1 28-12-2006
FR 2193299	A1	15-02-1974	AT 323296 B 10-07-1975 CA 983586 A1 10-02-1976 CH 552930 A 15-08-1974 CS 152750 B1 22-02-1974 DE 2334449 A1 24-01-1974 SE 394255 B 20-06-1977
WO 0230308	A	18-04-2002	AU 2397202 A 22-04-2002 CA 2425257 A1 18-04-2002 EP 1330200 A1 30-07-2003 JP 2004520864 T 15-07-2004 US 2003069576 A1 10-04-2003 US 6475215 B1 05-11-2002
US 3903891	A	09-09-1975	NONE
WO 2004030551	A	15-04-2004	AU 2003268801 A1 23-04-2004 CA 2499135 A1 15-04-2004 CN 1703167 A 30-11-2005 EP 1545358 A1 29-06-2005 JP 2006501016 T 12-01-2006 SE 524441 C2 10-08-2004 SE 0202958 A 05-04-2004 US 2006004354 A1 05-01-2006