



- (51) International Patent Classification:  
H02M 3/156 (2006.01) H02M 1/00 (2007.01)  
H02M 3/158 (2006.01)
- (21) International Application Number:  
PCT/US2013/037128
- (22) International Filing Date:  
18 April 2013 (18.04.2013)
- (25) Filing Language: English
- (26) Publication Language: English
- (30) Priority Data:  
61/643,837 7 May 2012 (07.05.2012) US  
13/472,068 15 May 2012 (15.05.2012) US
- (71) Applicant: APPLE INC. [US/US]; 1 Infinite Loop, Cupertino, CA 95014 (US).
- (72) Inventors: SMITH, Eric, G.; c/o Apple Inc., 1 Infinite Loop, M/S 305-4MM, Cupertino, California 95014 (US).  
LUH, Louis; c/o Apple Inc., 1 Infinite Loop, M/S 23-1CHP, Cupertino, California 95014 (US).  
ATHAS, William, C.; c/o Apple Inc., 1 Infinite Loop, M/S 74-3PA, Cupertino, CA 95014 (US).

(74) Agent: SAHASRABUDDHE, Laxman; Park, Vaughan, Fleming & Dowler LLP, 2820 Fifth Street, Davis, California 95618 (US).

(81) Designated States (unless otherwise indicated, for every kind of national protection available): AE, AG, AL, AM, AO, AT, AU, AZ, BA, BB, BG, BH, BN, BR, BW, BY, BZ, CA, CH, CL, CN, CO, CR, CU, CZ, DE, DK, DM, DO, DZ, EC, EE, EG, ES, FI, GB, GD, GE, GH, GM, GT, HN, HR, HU, ID, IL, IN, IS, JP, KE, KG, KM, KN, KP, KR, KZ, LA, LC, LK, LR, LS, LT, LU, LY, MA, MD, ME, MG, MK, MN, MW, MX, MY, MZ, NA, NG, NI, NO, NZ, OM, PA, PE, PG, PH, PL, PT, QA, RO, RS, RU, RW, SC, SD, SE, SG, SK, SL, SM, ST, SV, SY, TH, TJ, TM, TN, TR, TT, TZ, UA, UG, US, UZ, VC, VN, ZA, ZM, ZW.

(84) Designated States (unless otherwise indicated, for every kind of regional protection available): ARIPO (BW, GH, GM, KE, LR, LS, MW, MZ, NA, RW, SD, SL, SZ, TZ, UG, ZM, ZW), Eurasian (AM, AZ, BY, KG, KZ, RU, TJ, TM), European (AL, AT, BE, BG, CH, CY, CZ, DE, DK, EE, ES, FI, FR, GB, GR, HR, HU, IE, IS, IT, LT, LU, LV, MC, MK, MT, NL, NO, PL, PT, RO, RS, SE, SI, SK, SM, TR), OAPI (BF, BJ, CF, CG, CI, CM, GA, GN, GQ, GW, ML, MR, NE, SN, TD, TG).

[Continued on next page]

(54) Title: COUPLED VOLTAGE CONVERTERS

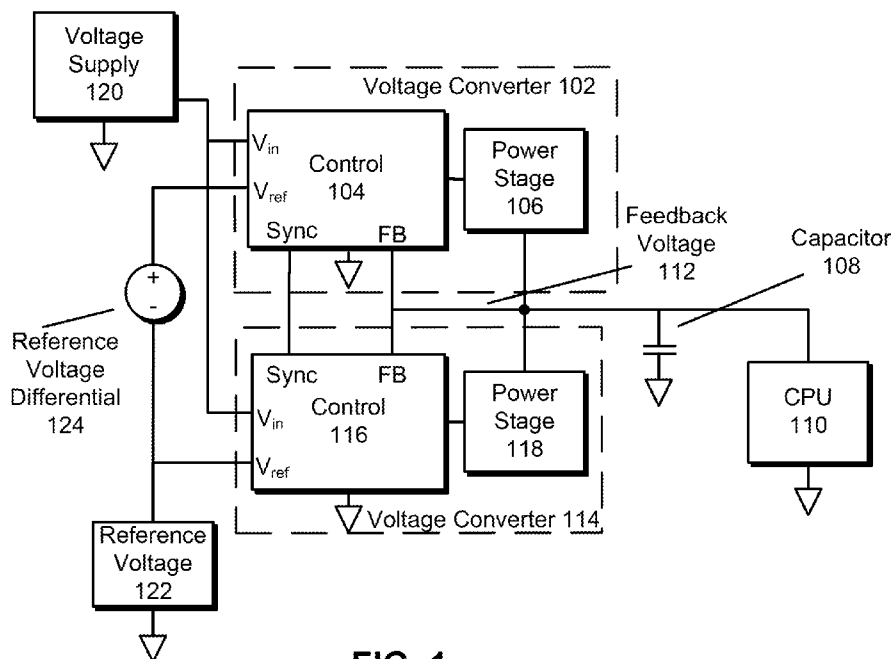


FIG. 1

(57) Abstract: Embodiments of a power supply are disclosed that include a first voltage converter (102) having a first feedback controller (104) and a first regulated output, and second voltage converter (114) having a second feedback controller (116) and a second regulated output electrically coupled to the first regulated output. The power limit of the first voltage converter is lower than the power limit of the second voltage converter, and a reference voltage for the first feedback controller is higher than the reference voltage for the second feedback controller.

WO 2013/169457 A3

**Published:**

**(88) Date of publication of the international search report:**

14 August 2014

- *with international search report (Art. 21(3))*
- *before the expiration of the time limit for amending the claims and to be republished in the event of receipt of amendments (Rule 48.2(h))*

INTERNATIONAL SEARCH REPORT

International application No  
PCT/US2013/037128

A. CLASSIFICATION OF SUBJECT MATTER  
INV. H02M3/156 H02M3/158 H02M1/00  
ADD.  
According to International Patent Classification (IPC) or to both national classification and IPC

B. FIELDS SEARCHED  
Minimum documentation searched (classification system followed by classification symbols)  
H02M

Documentation searched other than minimum documentation to the extent that such documents are included in the fields searched

Electronic data base consulted during the international search (name of data base and, where practicable, search terms used)  
EPO-Internal, WPI Data

C. DOCUMENTS CONSIDERED TO BE RELEVANT

Category*	Citation of document, with indication, where appropriate, of the relevant passages	Relevant to claim No.
X	US 2008/024103 A1 (KOMIYA MOTOKI [JP]) 31 January 2008 (2008-01-31) abstract figures 2,3,4,19 paragraphs [0047] - [0052], [0054], [0055], [0059], [0060], [0092] -----	1-29

Further documents are listed in the continuation of Box C.

See patent family annex.

\* Special categories of cited documents :

- "A" document defining the general state of the art which is not considered to be of particular relevance
- "E" earlier application or patent but published on or after the international filing date
- "L" document which may throw doubts on priority claim(s) or which is cited to establish the publication date of another citation or other special reason (as specified)
- "O" document referring to an oral disclosure, use, exhibition or other means
- "P" document published prior to the international filing date but later than the priority date claimed

- "T" later document published after the international filing date or priority date and not in conflict with the application but cited to understand the principle or theory underlying the invention
- "X" document of particular relevance; the claimed invention cannot be considered novel or cannot be considered to involve an inventive step when the document is taken alone
- "Y" document of particular relevance; the claimed invention cannot be considered to involve an inventive step when the document is combined with one or more other such documents, such combination being obvious to a person skilled in the art
- "&" document member of the same patent family

Date of the actual completion of the international search  
18 June 2014

Date of mailing of the international search report  
27/06/2014

Name and mailing address of the ISA/  
European Patent Office, P.B. 5818 Patentlaan 2  
NL - 2280 HV Rijswijk  
Tel. (+31-70) 340-2040,  
Fax: (+31-70) 340-3016

Authorized officer  
Zettler, Karl-Rudolf

# INTERNATIONAL SEARCH REPORT

Information on patent family members

International application No

PCT/US2013/037128

Patent document cited in search report	Publication date	Patent family member(s)	Publication date
US 2008024103	A1	NONE	