



US0D1037516S

(12) **United States Design Patent** (10) **Patent No.:** **US D1,037,516 S**
Deng (45) **Date of Patent:** **** Jul. 30, 2024**

(54) **SHOE LIGHT**

FOREIGN PATENT DOCUMENTS

(71) Applicant: **Xiaolan Deng**, Gaozhou (CN)

CN	308228336	*	1/2023
GB	6239319	*	11/2022
GB	6253951	*	1/2023
GB	6254203	*	1/2023

(72) Inventor: **Xiaolan Deng**, Gaozhou (CN)

(**) Term: **15 Years**

OTHER PUBLICATIONS

(21) Appl. No.: **29/860,704**

Running Light for Runners. By Jiaboli Store. Dated Dec. 14, 2022. Found online [May 15, 2024]. <https://www.amazon.com/Running-runners-waterproof-headlights-Suitable/dp/B0BNPYQ8ZD> (Year: 2022).*

(22) Filed: **Nov. 22, 2022**

(51) **LOC (14) Cl.** **26-02**

* cited by examiner

(52) **U.S. Cl.**

USPC **D26/39**

(58) **Field of Classification Search**

USPC D26/24, 37-52, 60-66, 113

CPC A43B 3/36; F21V 33/0008

See application file for complete search history.

Primary Examiner — Marissa J. Cash

Assistant Examiner — William B Melliar

(74) *Attorney, Agent, or Firm* — Jeenam Park

(57)

CLAIM

The ornamental design for a shoe light, as shown and described.

(56)

References Cited

DESCRIPTION

U.S. PATENT DOCUMENTS

D427,696 S *	7/2000	Scott	D26/24
D504,967 S *	5/2005	Kung	D26/39
D518,209 S *	3/2006	Nagano	D26/39
D524,975 S *	7/2006	Oas	D26/56
D578,299 S *	10/2008	Dennis	D26/1
D602,185 S *	10/2009	Chang	D26/36
D605,319 S *	12/2009	Devaney	D26/39
D655,841 S *	3/2012	Coleman, Jr.	D26/63
D751,743 S *	3/2016	Watson	D26/113
D796,098 S *	8/2017	Grandadam	D26/39
D988,576 S *	6/2023	Li	D2/976
D992,770 S *	7/2023	Tang	D26/37
D992,787 S *	7/2023	Li	D26/39
D1,005,542 S *	11/2023	Chen	D26/60

FIG. 1 is a front, left and top perspective view of a shoe light, showing my new design;

FIG. 2 is a rear, right and bottom perspective view thereof;

FIG. 3 is a front view thereof;

FIG. 4 is a rear view thereof;

FIG. 5 is a left side view thereof;

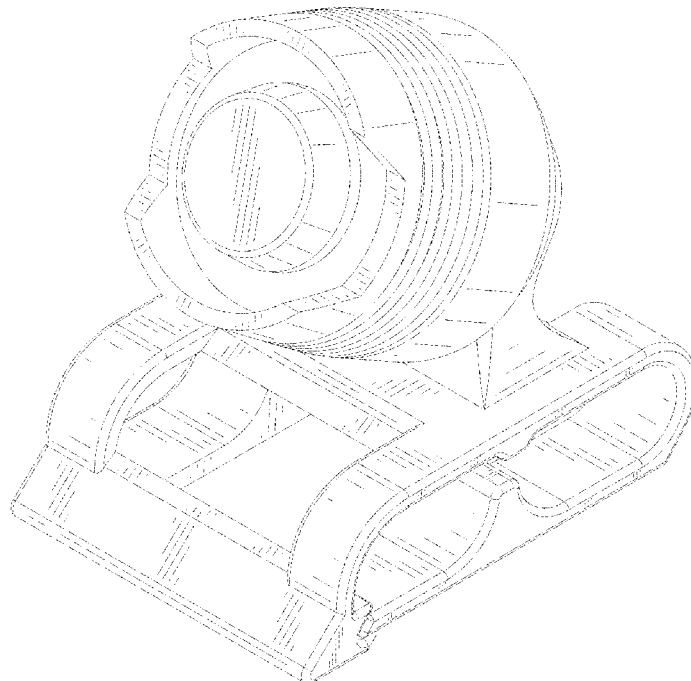
FIG. 6 is a right side view thereof;

FIG. 7 is a top plan view thereof; and,

FIG. 8 is a bottom plan view thereof.

The broken lines shown in the drawings illustrate portions of the shoe light that form no part of the claimed design.

1 Claim, 8 Drawing Sheets



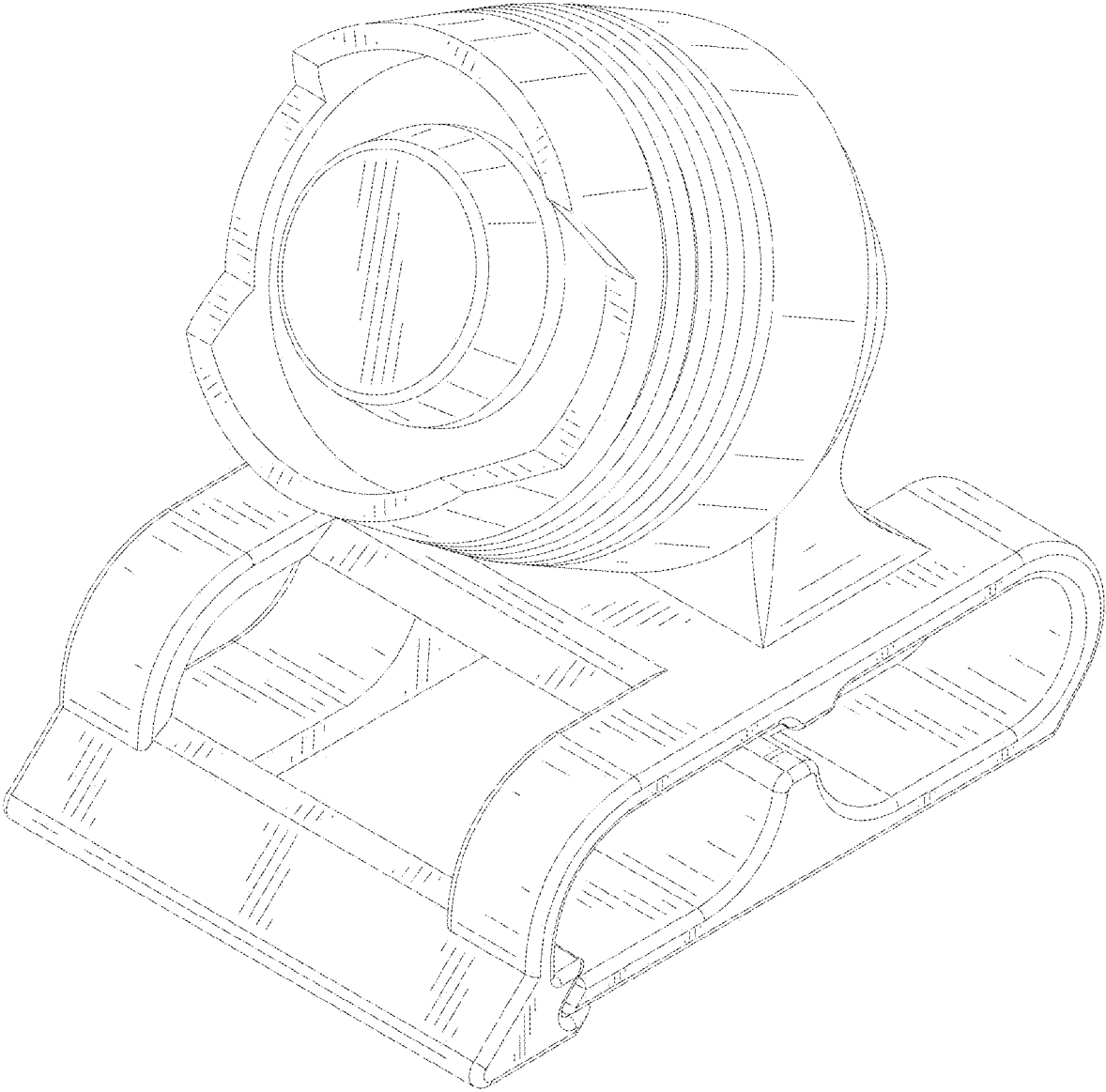


FIG. 1

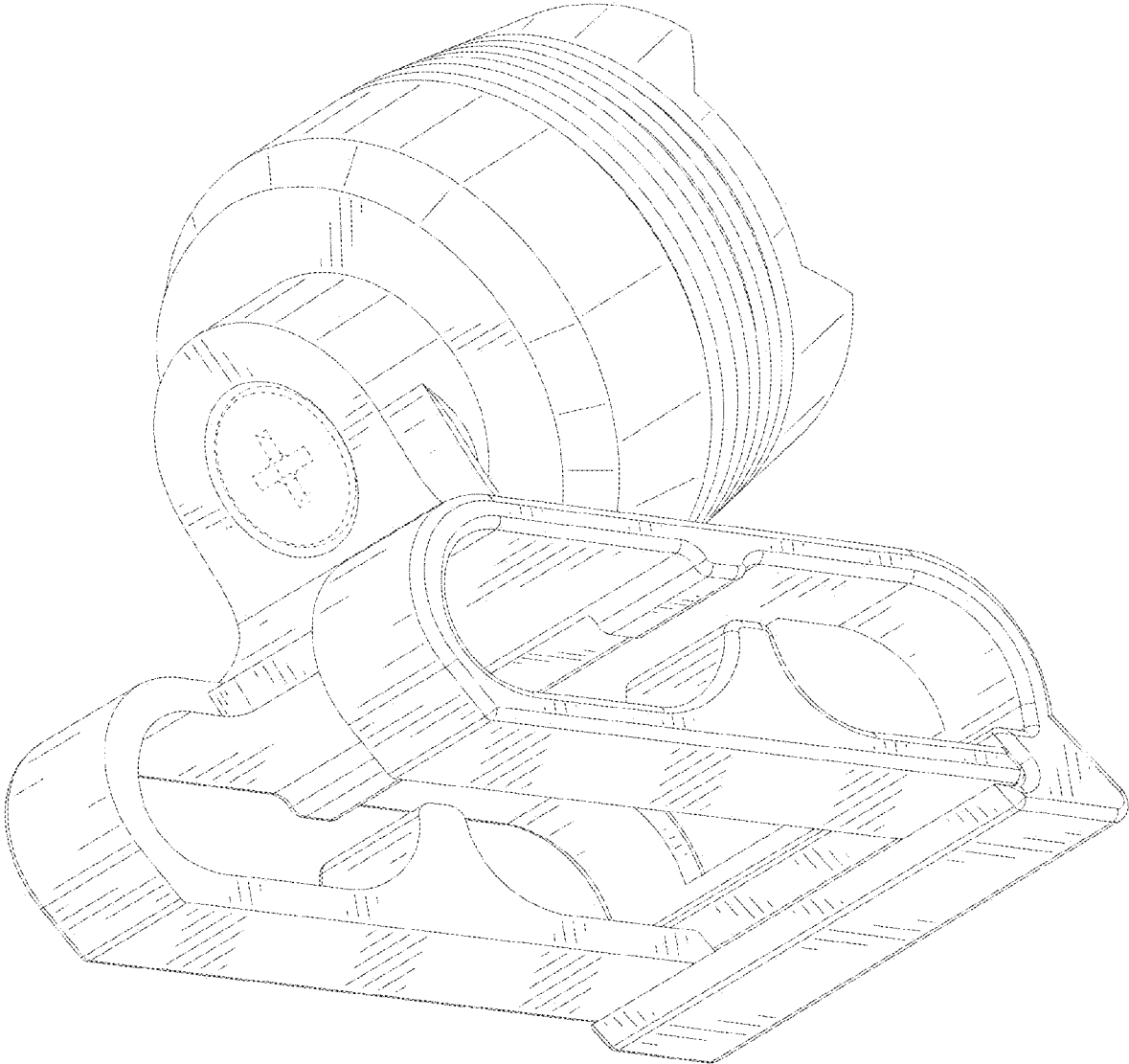


FIG. 2

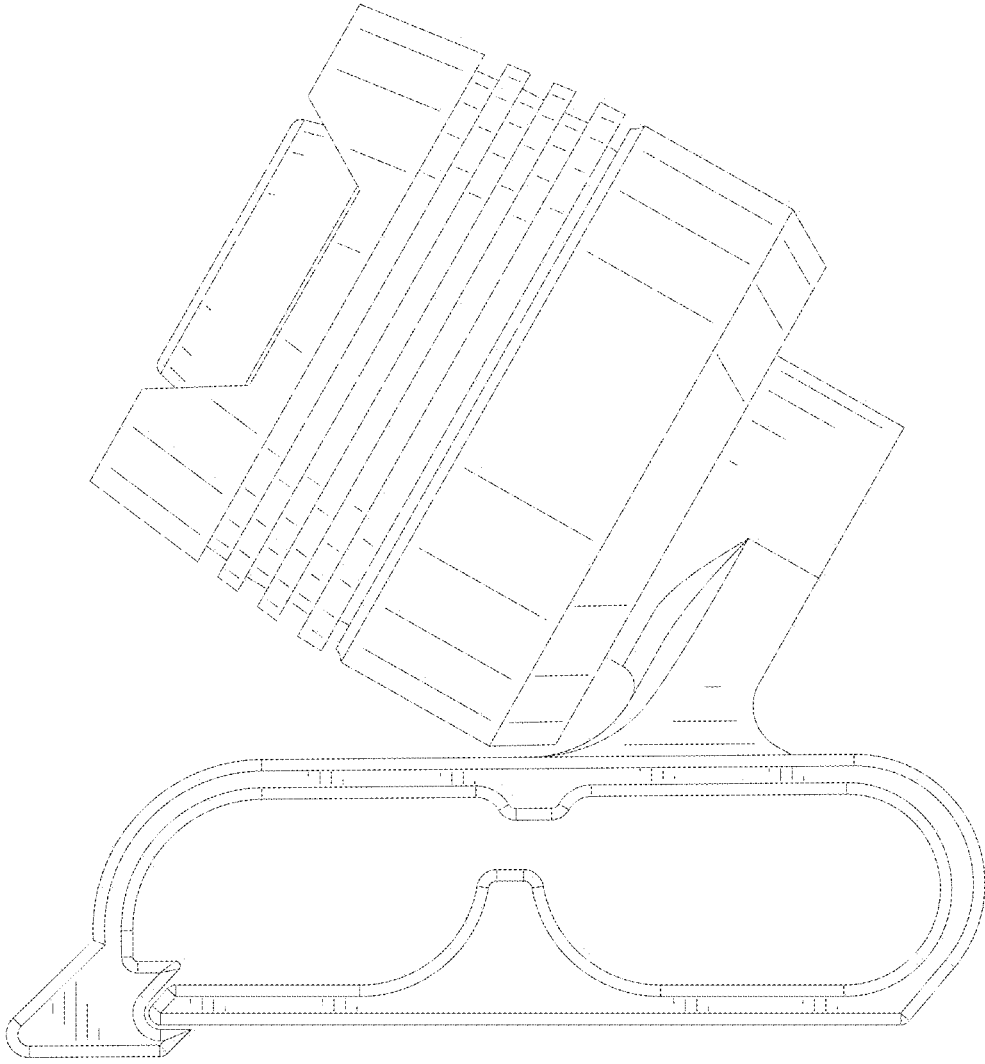


FIG. 3

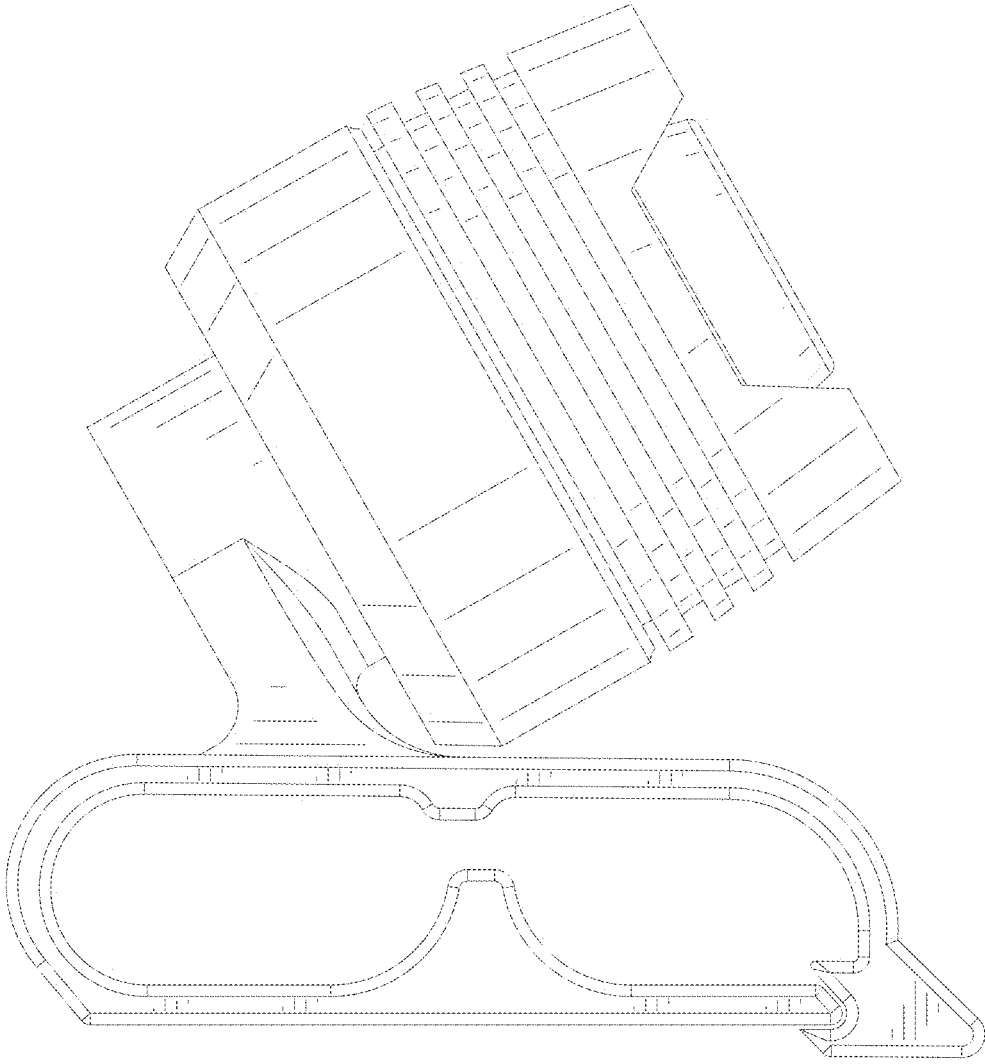


FIG. 4

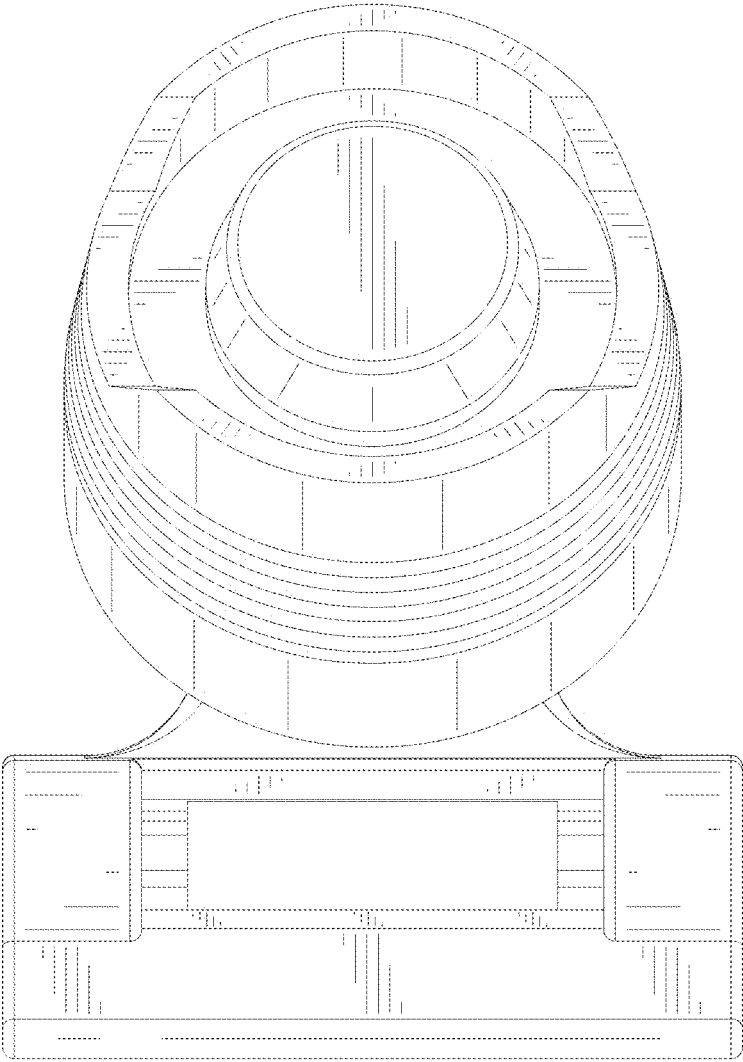


FIG. 5

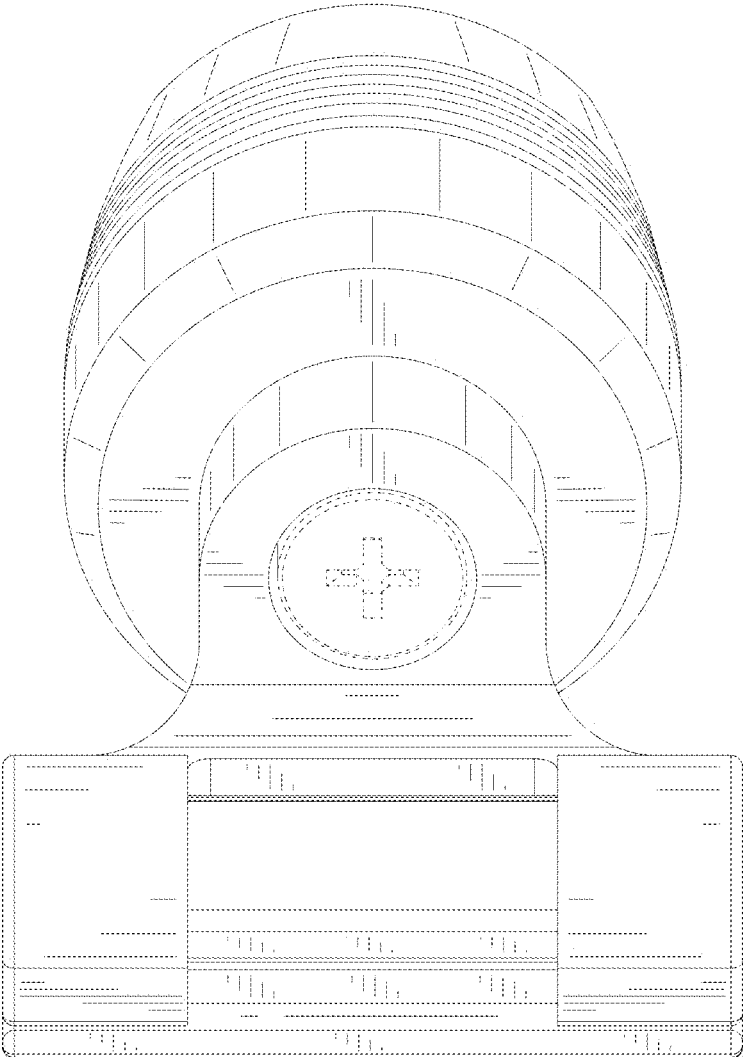


FIG. 6

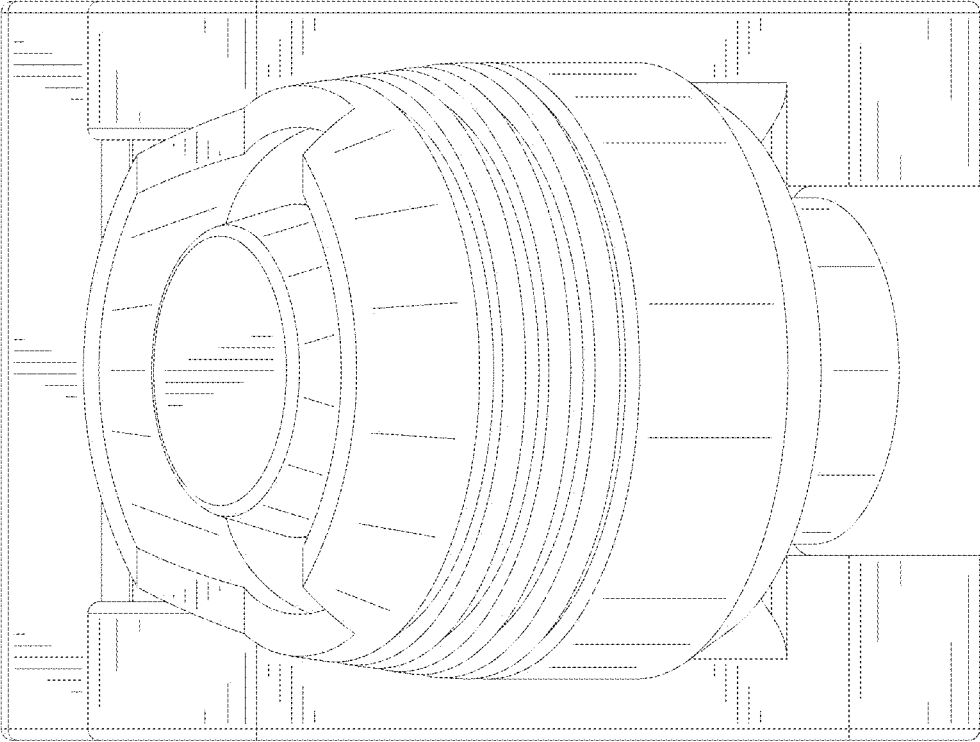


FIG. 7

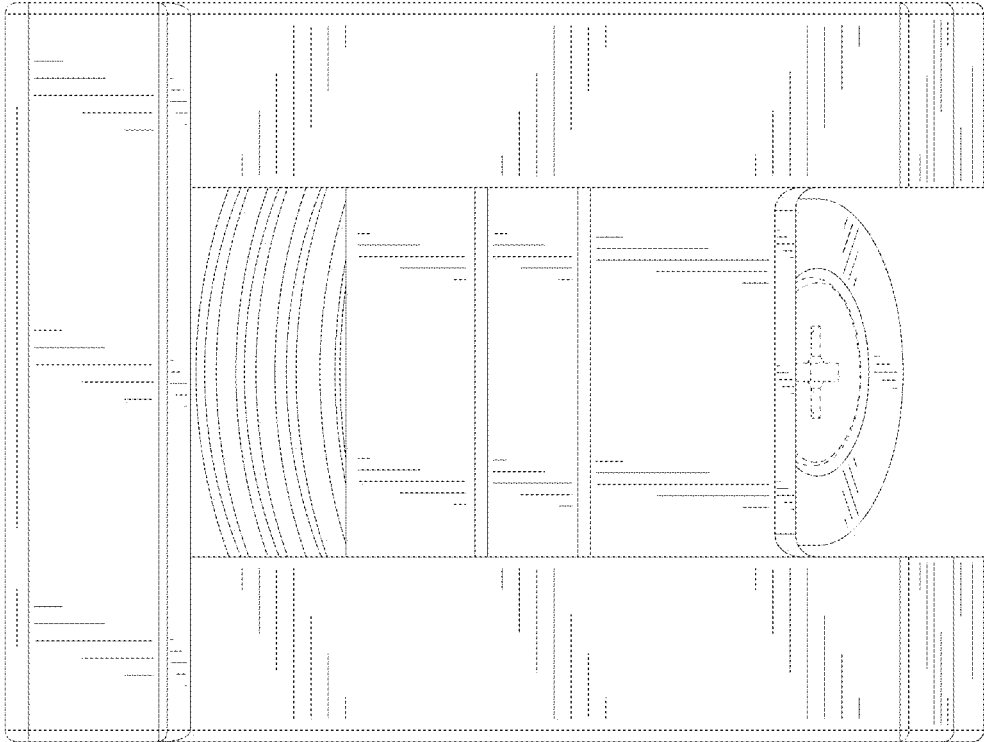


FIG. 8