



US00D883449S

(12) **United States Design Patent**
Newcomb

(10) **Patent No.:** **US D883,449 S**

(45) **Date of Patent:** **** May 5, 2020**

- (54) **SUBFLOOR CLOSET FLANGE SPACER**
- (71) Applicant: **GTR Innovations, LLC**, Salem, OR (US)
- (72) Inventor: **Rodney G. Newcomb**, Salem, OR (US)
- (73) Assignee: **GTR Innovations, LLC**, Salem, OR (US)
- (**) Term: **15 Years**
- (21) Appl. No.: **29/644,266**

- (22) Filed: **Apr. 16, 2018**
- (51) **LOC (12) Cl.** **23-01**
- (52) **U.S. Cl.**
USPC **D23/259; D8/354**
- (58) **Field of Classification Search**
USPC **D8/354; D23/259-262**
CPC **E03D 11/16; E03D 11/17**
See application file for complete search history.

(56) **References Cited**

U.S. PATENT DOCUMENTS

| | | | | |
|-----------|-----|---------|----------|----------------------------|
| 3,419,288 | A | 12/1968 | Logsdon | |
| 4,648,139 | A | 3/1987 | Stokes | |
| 4,780,915 | A | 11/1988 | Cuschera | |
| D300,350 | S * | 3/1989 | Mathison | D23/260 |
| 4,886,302 | A * | 12/1989 | Forbes | E03D 11/16 285/56 |

| | | | | |
|--------------|------|---------|-----------|-------------------------------|
| 7,069,603 | B2 | 7/2006 | Flushing | |
| D559,080 | S * | 1/2008 | Boote | D8/354 |
| D574,931 | S * | 8/2008 | Hughes | D23/262 |
| D585,530 | S * | 1/2009 | Ito | D23/259 |
| D647,181 | S * | 10/2011 | Kovach | D23/259 |
| 9,074,377 | B2 | 7/2015 | Wood | |
| D737,406 | S * | 8/2015 | Waggoner | D23/233 |
| 9,297,157 | B2 | 3/2016 | Wendorff | |
| 2007/0216162 | A1 * | 9/2007 | Ennin | F16L 23/0286 285/406 |
| 2013/0219603 | A1 * | 8/2013 | Wendorff | E03D 11/16 4/252.4 |
| 2019/0316338 | A1 * | 10/2019 | Pytlewski | E03D 11/16 |

* cited by examiner

Primary Examiner — Lauren R Calve

(74) *Attorney, Agent, or Firm* — Law Office of Karen Dana Oster, LLC

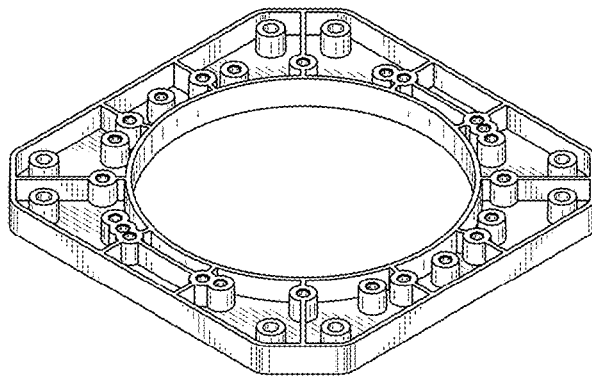
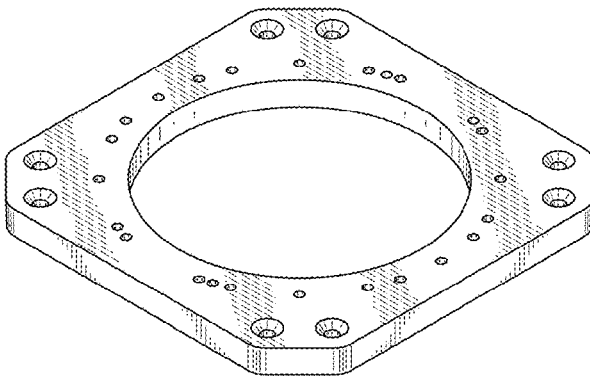
(57) **CLAIM**

The ornamental design for a subfloor closet flange spacer, as shown and described.

DESCRIPTION

FIG. 1 is a top perspective view of a subfloor closet flange spacer of my new design;
 FIG. 2 is a bottom perspective view thereof;
 FIG. 3 is a top view thereof;
 FIG. 4 is a bottom view thereof; and,
 FIG. 5 is a side view thereof, the other side views being identical.

1 Claim, 2 Drawing Sheets



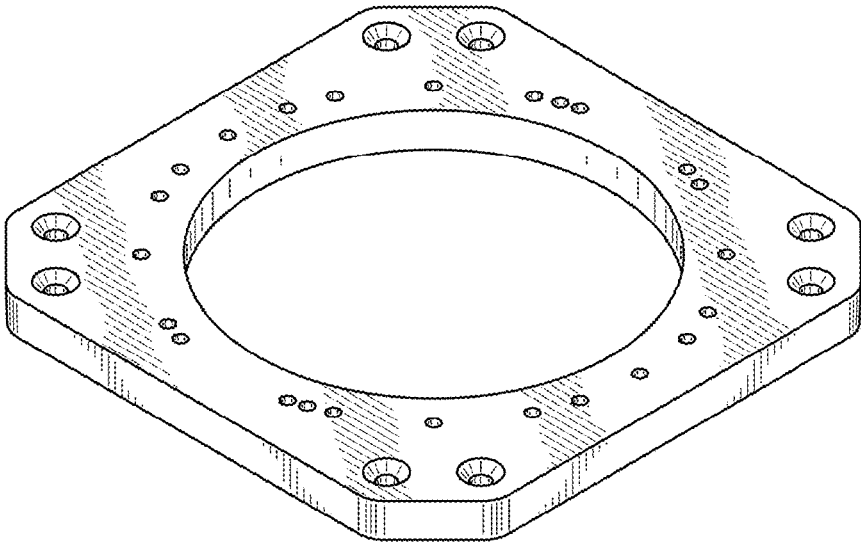


FIG. 1

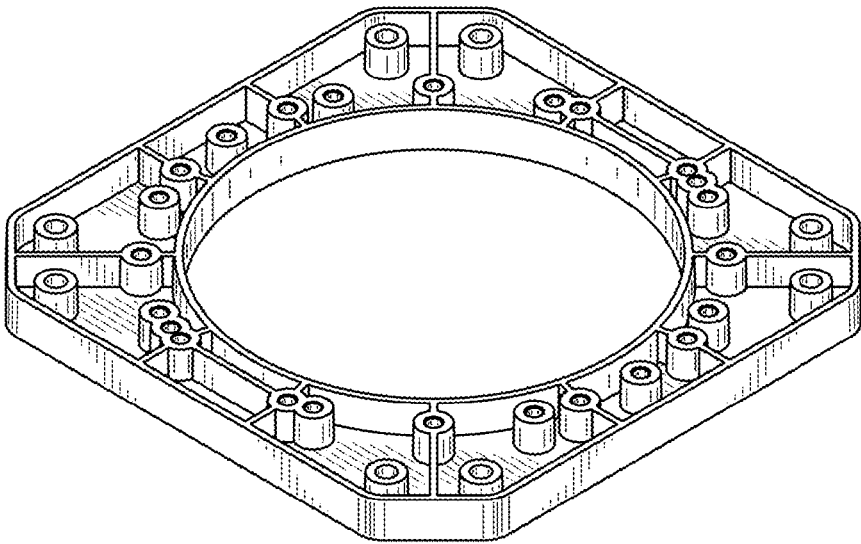


FIG. 2

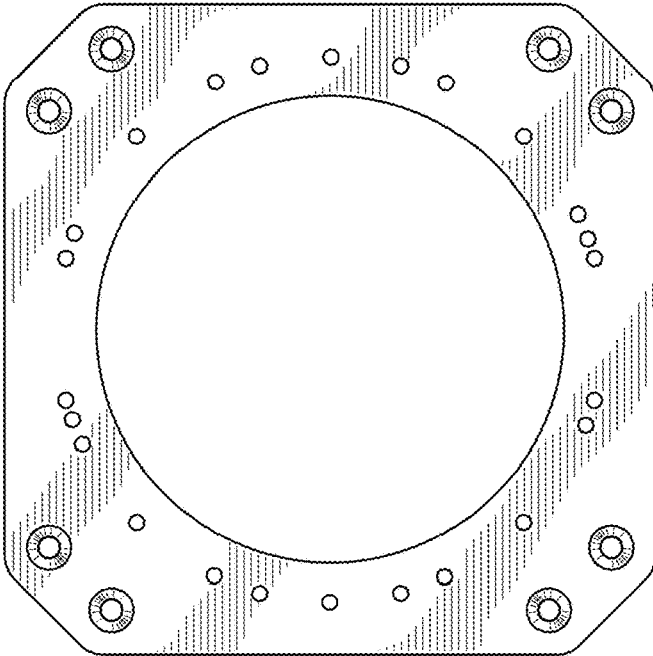


FIG. 3

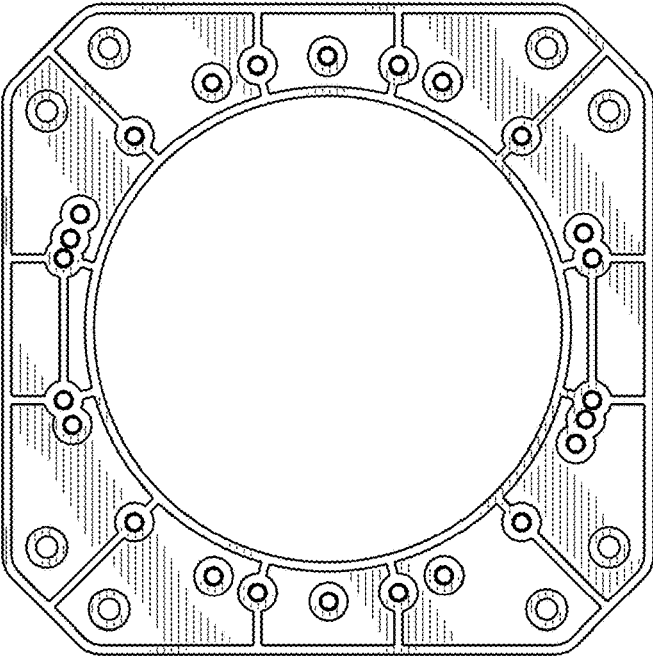


FIG. 4

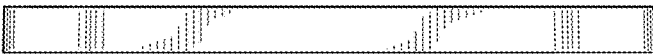


FIG. 5