

(19) World Intellectual Property Organization
International Bureau



(43) International Publication Date
27 September 2007 (27.09.2007)

PCT

(10) International Publication Number
WO 2007/109085 A3

- (51) International Patent Classification:
B23K 9/28 (2006.01) B23K 9/32 (2006.01)
- (21) International Application Number:
PCT/US2007/006498
- (22) International Filing Date: 13 March 2007 (13.03.2007)
- (25) Filing Language: English
- (26) Publication Language: English
- (30) Priority Data:
11/375,788 15 March 2006 (15.03.2006) US
- (71) Applicant (for all designated States except US): ILLINOIS TOOL WORKS INC. [US/US]; 3600 West Lake Avenue, Glenview, IL 60026-1215 (US).

- AT, AU, AZ, BA, BB, BG, BR, BW, BY, BZ, CA, CH, CN, CO, CR, CU, CZ, DE, DK, DM, DZ, EC, EE, EG, ES, FI, GB, GD, GE, GH, GM, GT, HN, HR, HU, ID, IL, IN, IS, JP, KE, KG, KM, KN, KP, KR, KZ, LA, LC, LK, LR, LS, LT, LU, LY, MA, MD, MG, MK, MN, MW, MX, MY, MZ, NA, NG, NI, NO, NZ, OM, PG, PH, PL, PT, RO, RS, RU, SC, SD, SE, SG, SK, SL, SM, SV, SY, TJ, TM, TN, TR, TT, TZ, UA, UG, US, UZ, VC, VN, ZA, ZM, ZW.
- (84) Designated States (unless otherwise indicated, for every kind of regional protection available): ARIPO (BW, GH, GM, KE, LS, MW, MZ, NA, SD, SL, SZ, TZ, UG, ZM, ZW), Eurasian (AM, AZ, BY, KG, KZ, MD, RU, TJ, TM), European (AT, BE, BG, CH, CY, CZ, DE, DK, EE, ES, FI, FR, GB, GR, HU, IE, IS, IT, LT, LU, LV, MC, MT, NL, PL, PT, RO, SE, SI, SK, TR), OAPI (BF, BJ, CF, CG, CI, CM, GA, GN, GQ, GW, ML, MR, NE, SN, TD, TG).

Published:

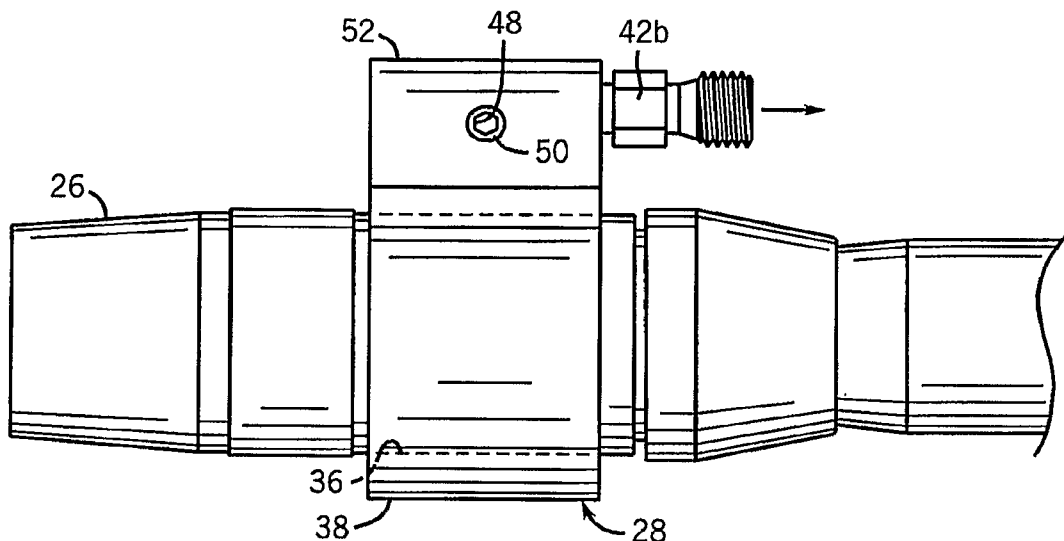
- with international search report
- before the expiration of the time limit for amending the claims and to be republished in the event of receipt of amendments

(88) Date of publication of the international search report:
15 November 2007

For two-letter codes and other abbreviations, refer to the "Guidance Notes on Codes and Abbreviations" appearing at the beginning of each regular issue of the PCT Gazette.

- (71) Applicant and
- (72) Inventor (for all designated States except US): CENNER, Robert, J. [US/US]; 7846 Wheatfield Drive, Frankfort, IL 60423 (US).
- (74) Agent: YODER, Patrick, S.; Fletcher Yoder, P.o. Box 692289, Houston, TX 77269-2289 (US).
- (81) Designated States (unless otherwise indicated, for every kind of national protection available): AE, AG, AL, AM,

(54) Title: REMOVABLE NOZZLE-COOLING COLLAR ATTACHABLE TO THE OUTER SURFACE OF A WELDING TORCH NOZZLE WITH A CHAMBER FOR CIRCULATED COOLING FLUID THEREIN AND SECURING MECHANISM



(57) Abstract: A removable cooling collar (28) is provided for cooling the nozzle (26) of a welding torch. This collar (28) includes first and second parts (36, 38) in fluid communication with a chamber that extends circumferentially within a hollow structure. Cooling fluid circulating through the chamber facilitates dissipation and/or extraction of heat in the nozzle (26), in turn reducing the likelihood of weld splatter adhesion on the nozzle (26).

WO 2007/109085 A3

INTERNATIONAL SEARCH REPORT

International application No
PCT/US2007/006498

<p>A. CLASSIFICATION OF SUBJECT MATTER INV. B23K9/28 B23K9/32</p>		
<p>According to International Patent Classification (IPC) or to both national classification and IPC</p>		
<p>B. FIELDS SEARCHED</p>		
<p>Minimum documentation searched (classification system followed by classification symbols) B23K H05H F23D</p>		
<p>Documentation searched other than minimum documentation to the extent that such documents are included in the fields searched</p>		
<p>Electronic data base consulted during the international search (name of data base and, where practical, search terms used) EPO-Internal, WPI Data</p>		
<p>C. DOCUMENTS CONSIDERED TO BE RELEVANT</p>		
Category*	Citation of document, with indication, where appropriate, of the relevant passages	Relevant to claim No.
X	US 3 803 381 A (BERNARDA. ET AL) 9 April 1974 (1974-04-09)	1-8, 10-12, 16, 18-20
Y	column 6, line 28; figures 1,2,4-6 -----	13-15
X	US 3 083 289 A (W.D. MUNRO ET AL) 26 March 1963 (1963-03-26)	1-5, 10
Y	column 2, line 38 - column 3, line 12; figure 2 -----	13-15
X	US 3 496 328 A (D.A. MOERKE) 17 February 1970 (1970-02-17)	1-3
A	column 6, line 30 - column 7, line 2; figures 1,3 ----- -/--	4,5,11, 18
<p><input checked="" type="checkbox"/> Further documents are listed in the continuation of Box C. <input checked="" type="checkbox"/> See patent family annex.</p>		
<p>* Special categories of cited documents :</p>		
<p>*A* document defining the general state of the art which is not considered to be of particular relevance</p>		<p>*T* later document published after the international filing date or priority date and not in conflict with the application but cited to understand the principle or theory underlying the invention</p>
<p>*E* earlier document but published on or after the international filing date</p>		<p>*X* document of particular relevance; the claimed invention cannot be considered novel or cannot be considered to involve an inventive step when the document is taken alone</p>
<p>*L* document which may throw doubts on priority claim(s) or which is cited to establish the publication date of another citation or other special reason (as specified)</p>		<p>*Y* document of particular relevance; the claimed invention cannot be considered to involve an inventive step when the document is combined with one or more other such documents, such combination being obvious to a person skilled in the art.</p>
<p>*O* document referring to an oral disclosure, use, exhibition or other means</p>		<p>*S* document member of the same patent family</p>
<p>*P* document published prior to the international filing date but later than the priority date claimed</p>		
<p>Date of the actual completion of the international search 5 September 2007</p>		<p>Date of mailing of the international search report 12/09/2007</p>
<p>Name and mailing address of the ISA/ European Patent Office, P.B. 5818 Patentlaan 2 NL - 2280 HV Rijswijk Tel. (+31-70) 340-2040, Tx. 31 651 epo nl, Fax: (+31-70) 340-3016</p>		<p>Authorized officer Jeggy, Thierry</p>

INTERNATIONAL SEARCH REPORT

International application No

PCT/US2007/006498

C(Continuation). DOCUMENTS CONSIDERED TO BE RELEVANT		
Category*	Citation of document, with indication, where appropriate, of the relevant passages	Relevant to claim No.
X	US 5 129 333 A (W.R. FREDERICK ET AL) 14 July 1992 (1992-07-14)	1-3
A	column 4, line 44 - column 5, line 48; figure 1	4,5,11, 18
X	US 3 309 492 A (D. FIELDS) 14 March 1967 (1967-03-14)	1-3
A	column 3, line 60 - column 4, line 10; figures 1,2	4,5,11, 18
A	US 2 302 734 A (R.S. BABCOCK) 24 November 1942 (1942-11-24)	1-3,5, 11,18
	page 2, right-hand column, lines 53-61; figures 1,2	
A	GB 313 623 A (J. FRANQUET ET AL) 10 April 1930 (1930-04-10)	1,5,11, 18
	figures	

INTERNATIONAL SEARCH REPORT

Information on patent family members

International application No PCT/US2007/006498

Patent document cited in search report	A	Publication date	Patent family member(s)	Publication date
US 3803381	A	09-04-1974	NONE	
US 3083289	A	26-03-1963	NONE	
US 3496328	A	17-02-1970	NONE	
US 5129333	A	14-07-1992	MX 9203203 A1 WO 9300556 A1	01-08-1993 07-01-1993
US 3309492	A	14-03-1967	NONE	
US 2302734	A	24-11-1942	NONE	
GB 313623	A	10-04-1930	CH 140501 A	15-06-1930