

- [54] **CASE FOR A HEADPHONE**
 [75] **Inventor:** Akinari Mohri, Tokyo, Japan
 [73] **Assignee:** Sony Corporation, Tokyo, Japan
 [**] **Term:** 14 Years
 [21] **Appl. No.:** 444,532
 [22] **Filed:** Nov. 26, 1982
 [30] **Foreign Application Priority Data**
 Jun. 1, 1982 [JP] Japan 57-24108
 [52] **U.S. Cl.** D3/30.1; D3/34;
 D3/74; D3/78
 [58] **Field of Search** D3/30.1, 74, 75, 34,
 D3/39, 78; D28/83; D19/75, 78; D14/36-38,
 76; 206/487; D9/420, 423

[56] **References Cited**

U.S. PATENT DOCUMENTS

- D. 50,963 6/1917 Ono D28/83
 D. 144,042 3/1946 Dougherty D28/83
 D. 252,914 9/1979 Wang D9/423

- D. 264,009 4/1982 Lam D28/83
 3,268,068 8/1966 LeGrand D3/34

Primary Examiner—George P. Word
Attorney, Agent, or Firm—Lewis H. Eslinger; Alvin Sinderbrand

[57] **CLAIM**

The ornamental design for a case for a headphone, as shown and described.

DESCRIPTION

FIG. 1 is a top plan view of a case for a headphone showing my new design;
 FIG. 2 is a bottom plan view thereof;
 FIG. 3 is a front elevational view thereof;
 FIG. 4 is a right side elevational view thereof;
 FIG. 5 is a rear elevational view thereof;
 FIG. 6 is a left side elevational view thereof;
 FIG. 7 is a front elevational view thereof in the open position;
 FIG. 8 is a top plan view of FIG. 7;
 FIG. 9 is a right side elevational view thereof; and
 FIG. 10 is a perspective view thereof.

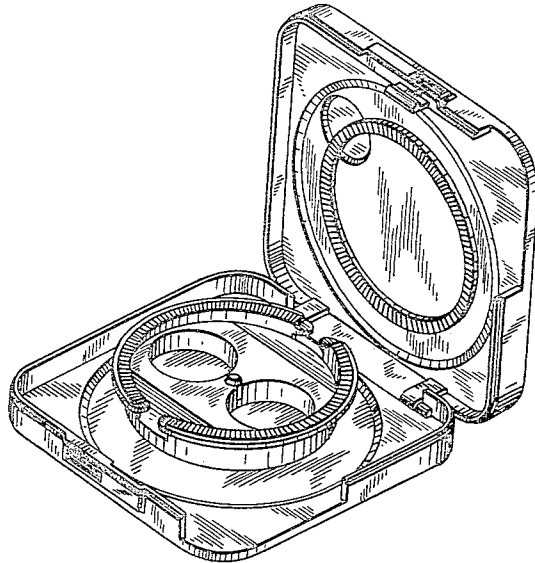
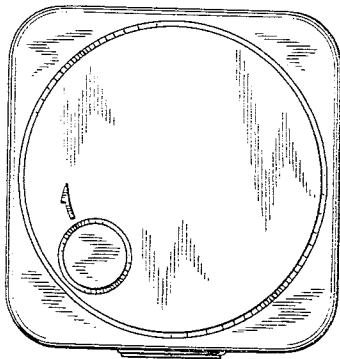


FIG. 1

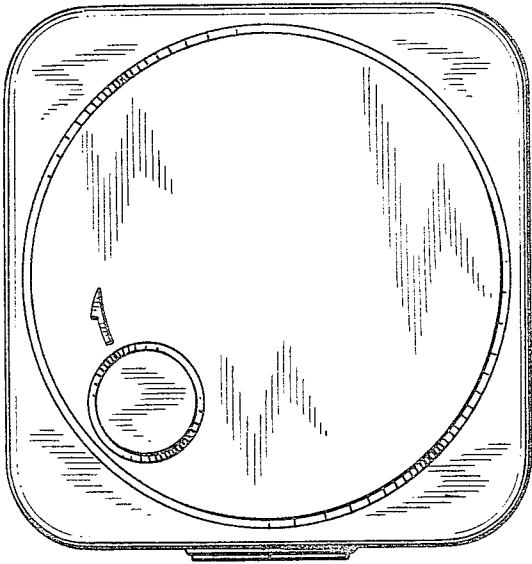


FIG. 2

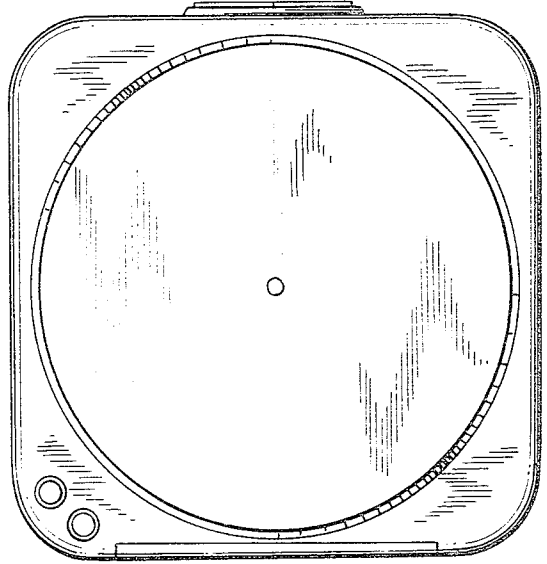


FIG. 3

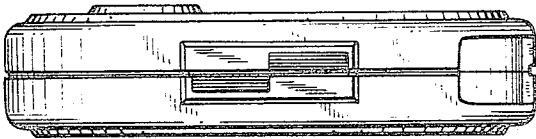


FIG. 4

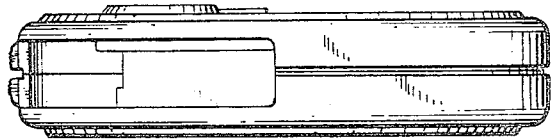


FIG. 5

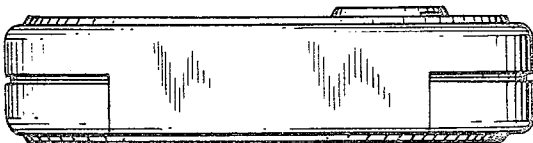


FIG. 6

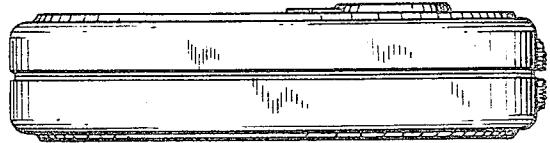


FIG. 7

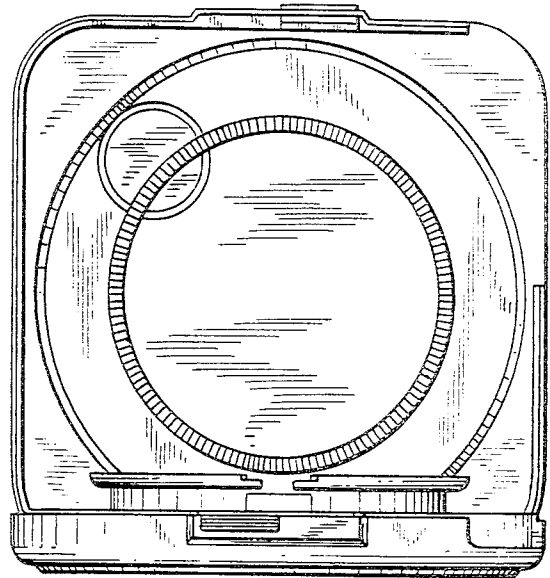


FIG. 8

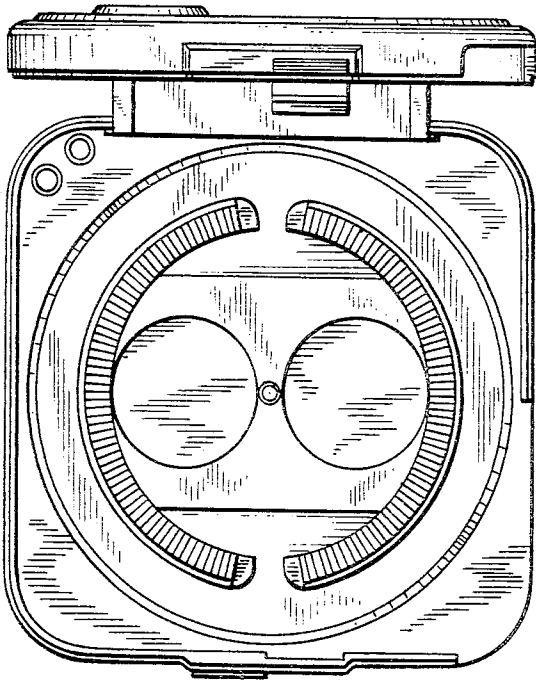


FIG. 9

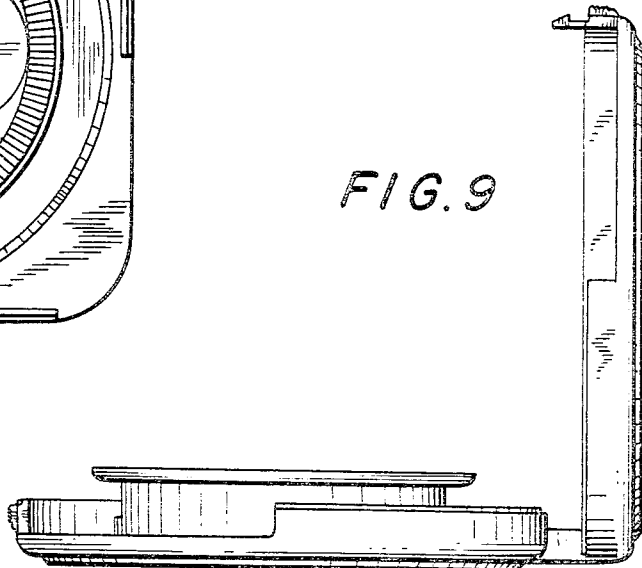


FIG. 10

