



US00D994871S

(12) **United States Design Patent**
Yuan

(10) **Patent No.:** **US D994,871 S**

(45) **Date of Patent:** **** Aug. 8, 2023**

(54) **HANDHELD STROLLER FAN**
(71) Applicant: **Fang Yuan**, Shenzhen (CN)
(72) Inventor: **Fang Yuan**, Shenzhen (CN)
(**) Term: **15 Years**

D961,064 S * 8/2022 Li D23/382
D963,151 S * 9/2022 He D23/382
D969,301 S * 11/2022 He D23/382
D984,628 S * 4/2023 Shi D23/382
D984,629 S * 4/2023 Ye D23/382
11,619,342 B1 * 4/2023 Chen F04D 29/601
248/188.8

* cited by examiner

(21) Appl. No.: **29/780,467**
(22) Filed: **Apr. 24, 2021**
(51) **LOC (14) Cl.** **23-04**
(52) **U.S. Cl.**
USPC **D23/382**
(58) **Field of Classification Search**
USPC D23/328, 332-333, 351-352, 355-356,
D23/370, 378-382
CPC F04D 25/0673; F04D 25/08; F04D 25/084;
F04D 25/086; F04D 29/34; F04D 29/388;
F04D 29/4226; F24F 7/007
See application file for complete search history.

Primary Examiner — Sharon S Oum
(74) *Attorney, Agent, or Firm* — Daniel M. Cohn;
Howard M. Cohn

(57) **CLAIM**
The ornamental design for a handheld stroller fan, as shown and described.

DESCRIPTION

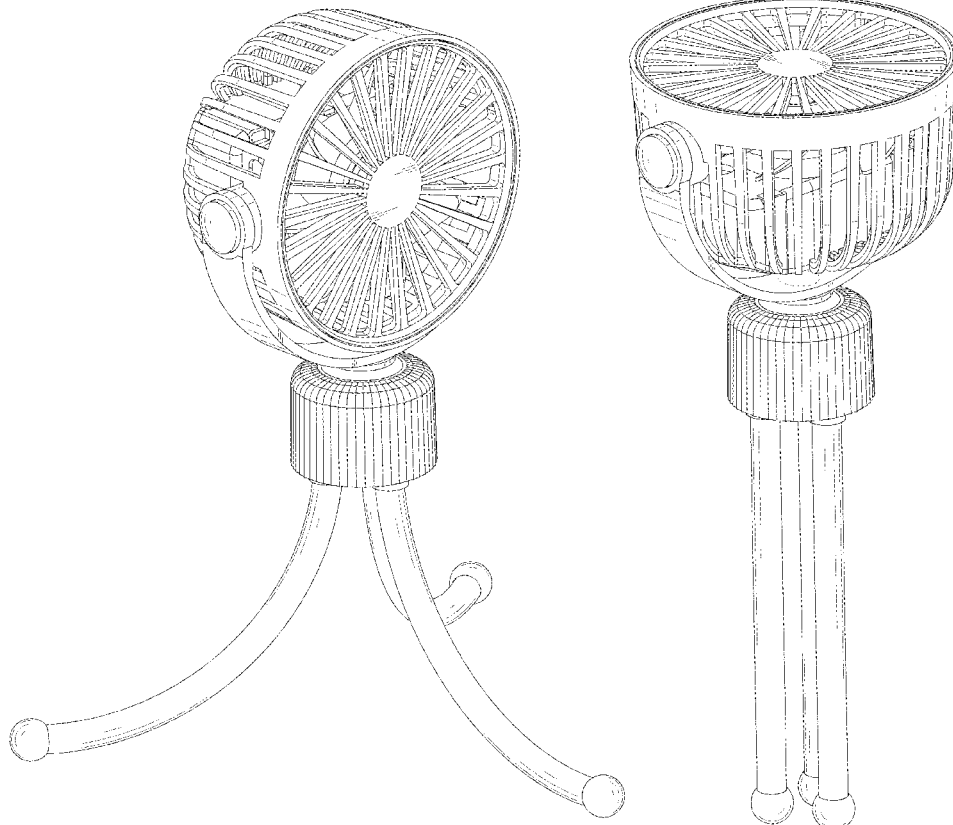
FIG. 1 is a perspective view of a handheld stroller fan showing my new design;
FIG. 2 is another perspective view thereof;
FIG. 3 is a front elevational view thereof;
FIG. 4 is a rear elevational view thereof;
FIG. 5 is a left side elevational view thereof;
FIG. 6 is a right side elevational view thereof;
FIG. 7 is a top plan view thereof;
FIG. 8 is a bottom plan view thereof; and
FIG. 9 is a perspective view of the handheld stroller fan where the handheld stroller fan is in a configuration of use. The broken lines in the drawings depict portions of the handheld stroller fan that form no part of the claimed design.

(56) **References Cited**

U.S. PATENT DOCUMENTS

D754,318 S * 4/2016 Thirouin D23/370
D910,160 S * 2/2021 Hsu D23/382
D923,773 S * 6/2021 Wang D23/382
D940,850 S * 1/2022 He D23/382
D946,135 S * 3/2022 Tam D23/382
D953,516 S * 5/2022 Chen D23/382

1 Claim, 9 Drawing Sheets



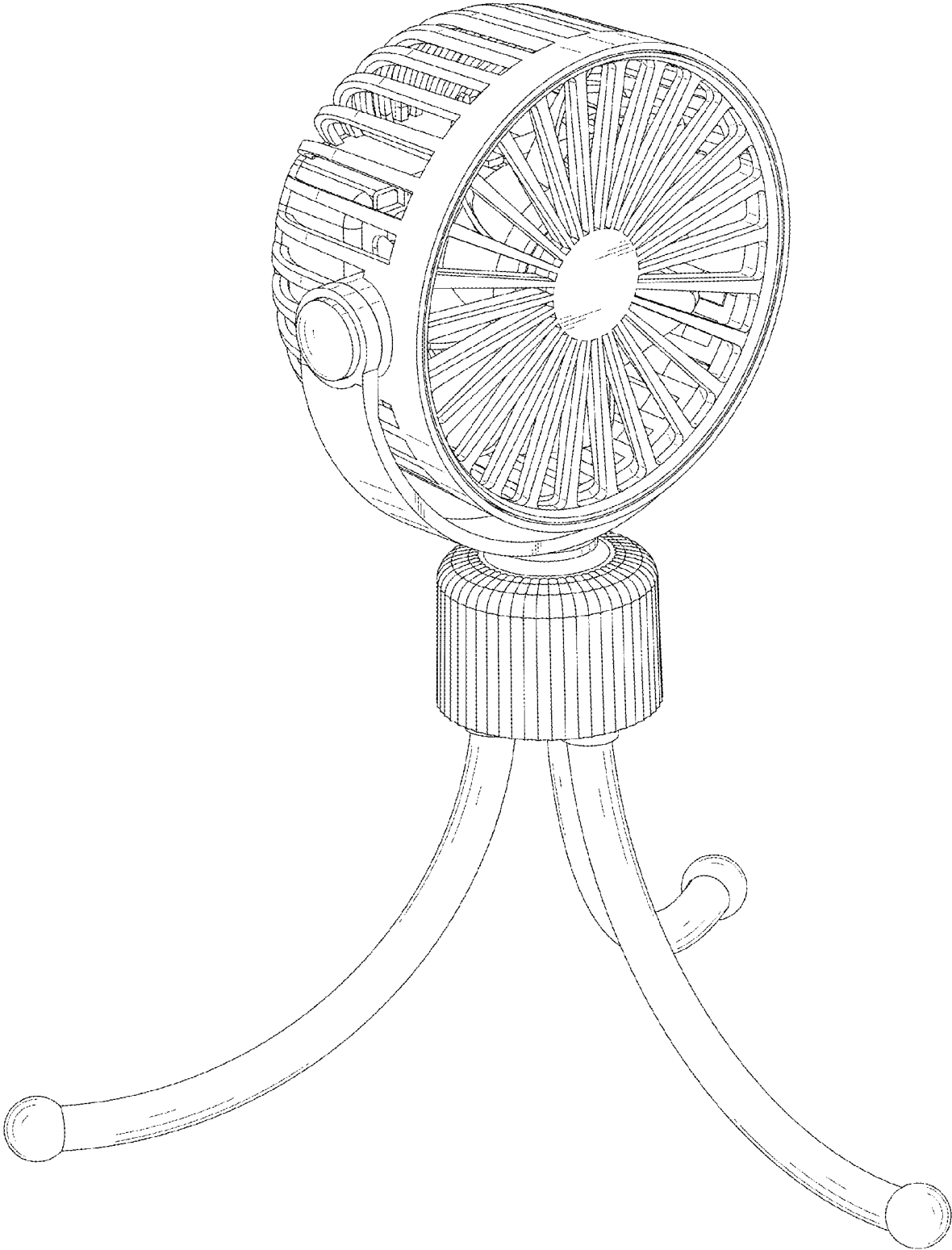


FIG. 1

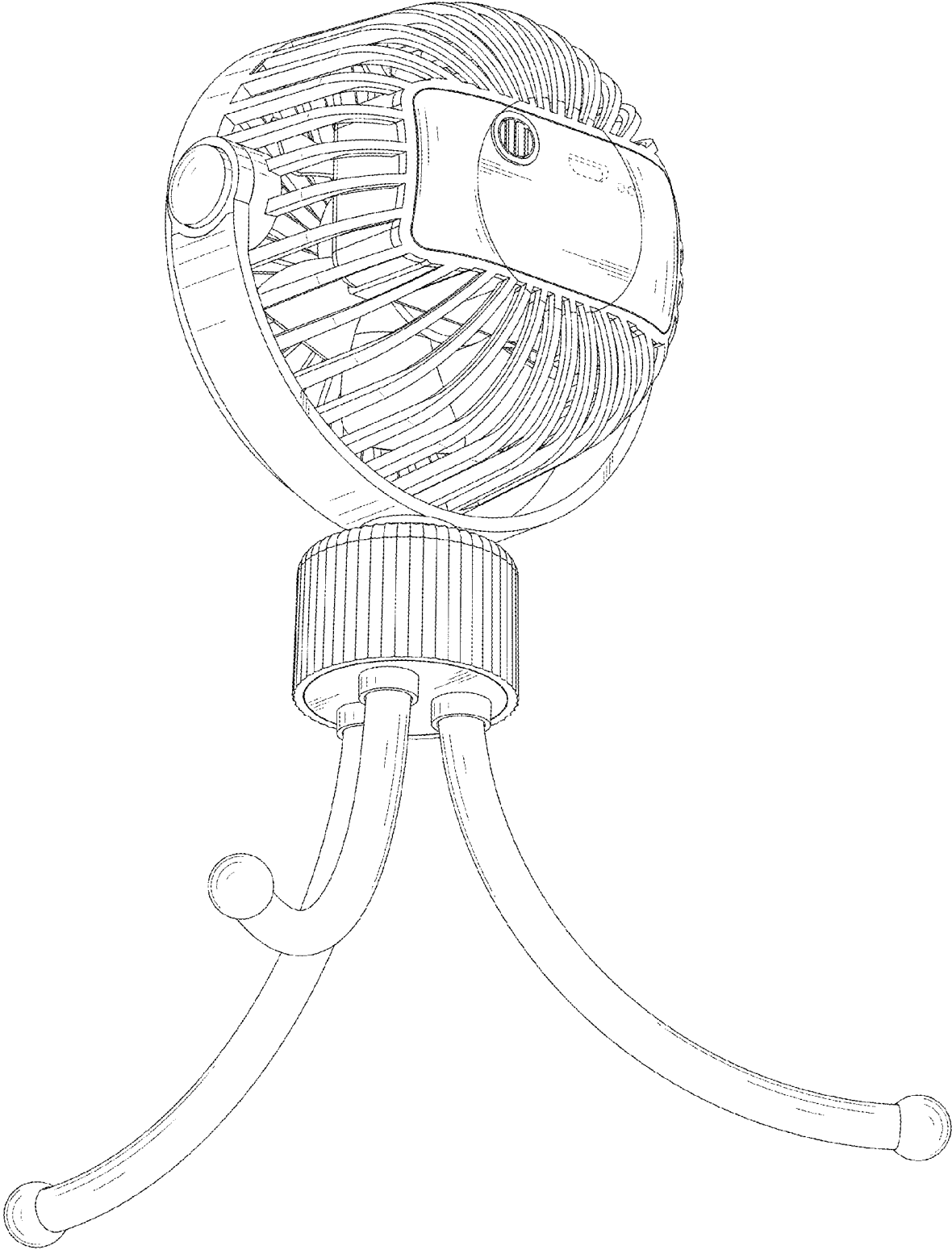


FIG. 2

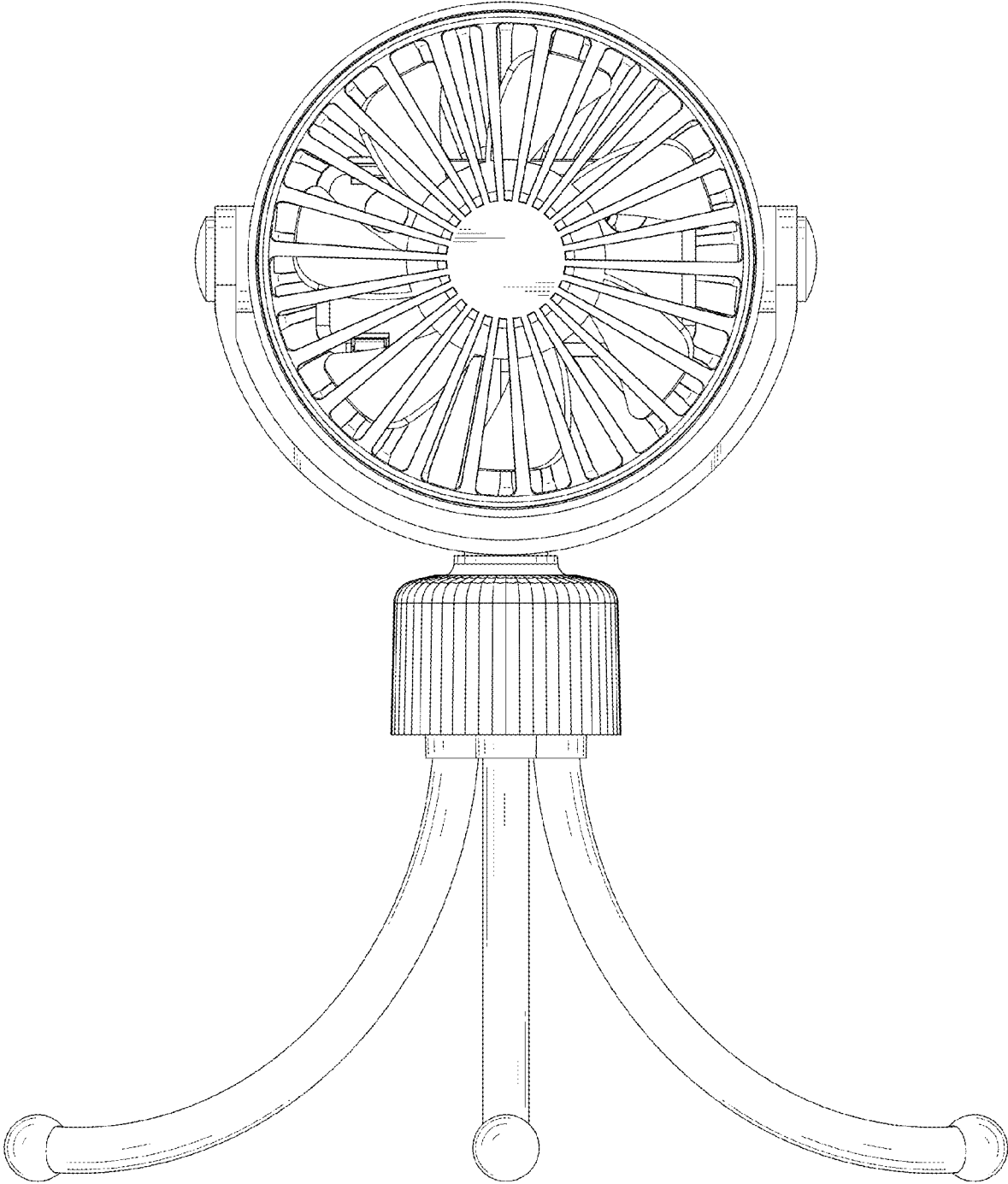


FIG. 3

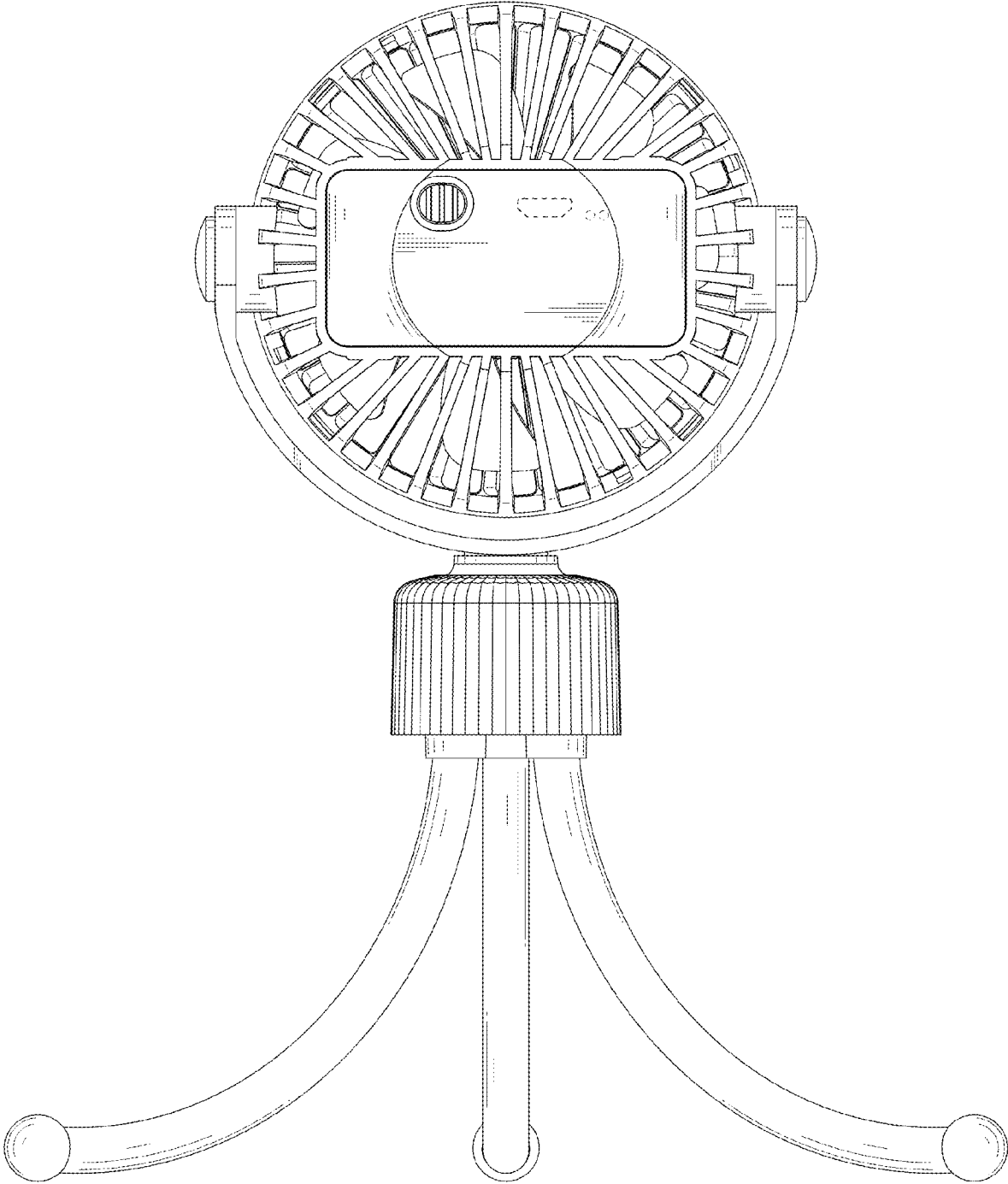


FIG. 4

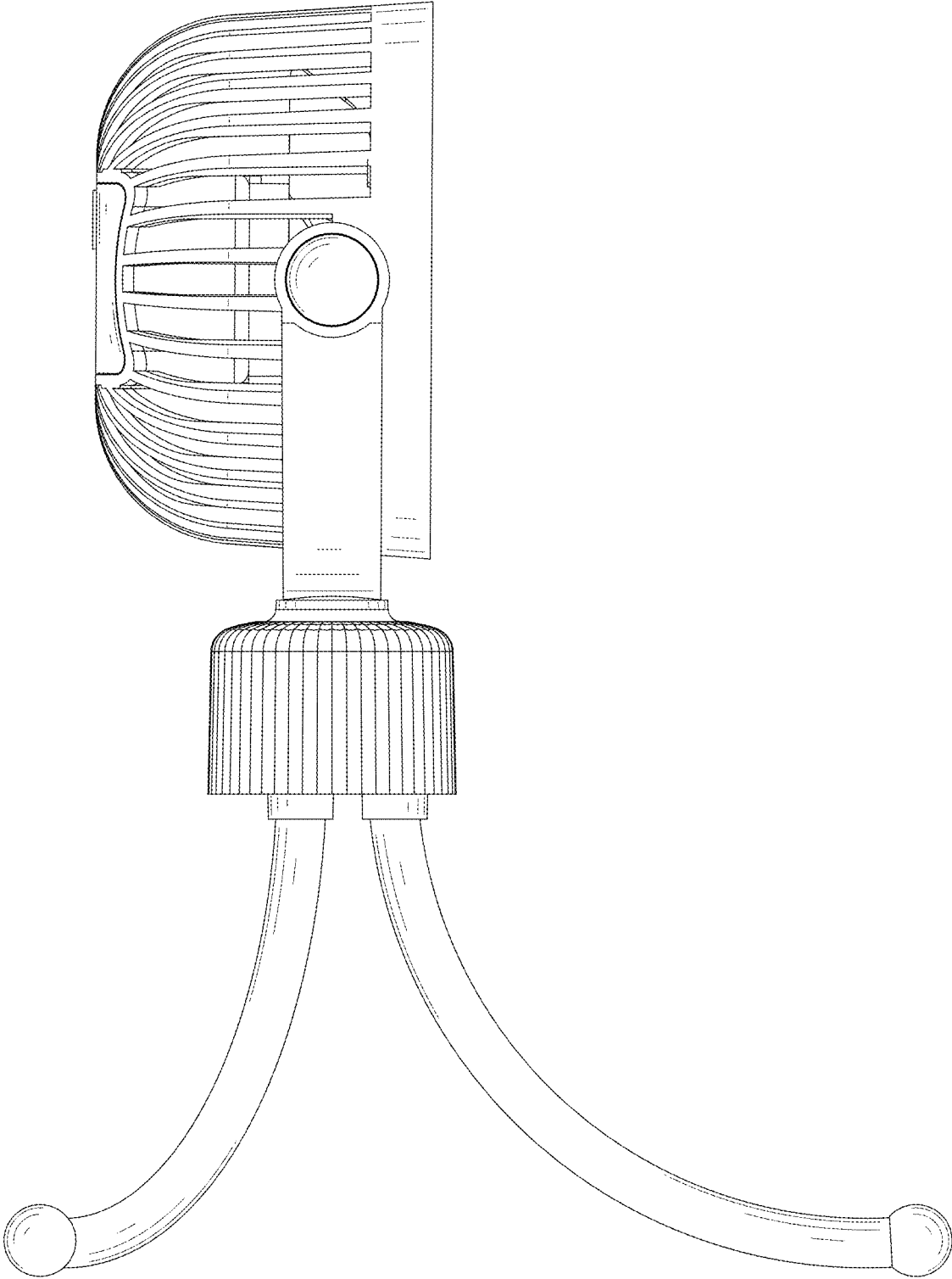


FIG. 5

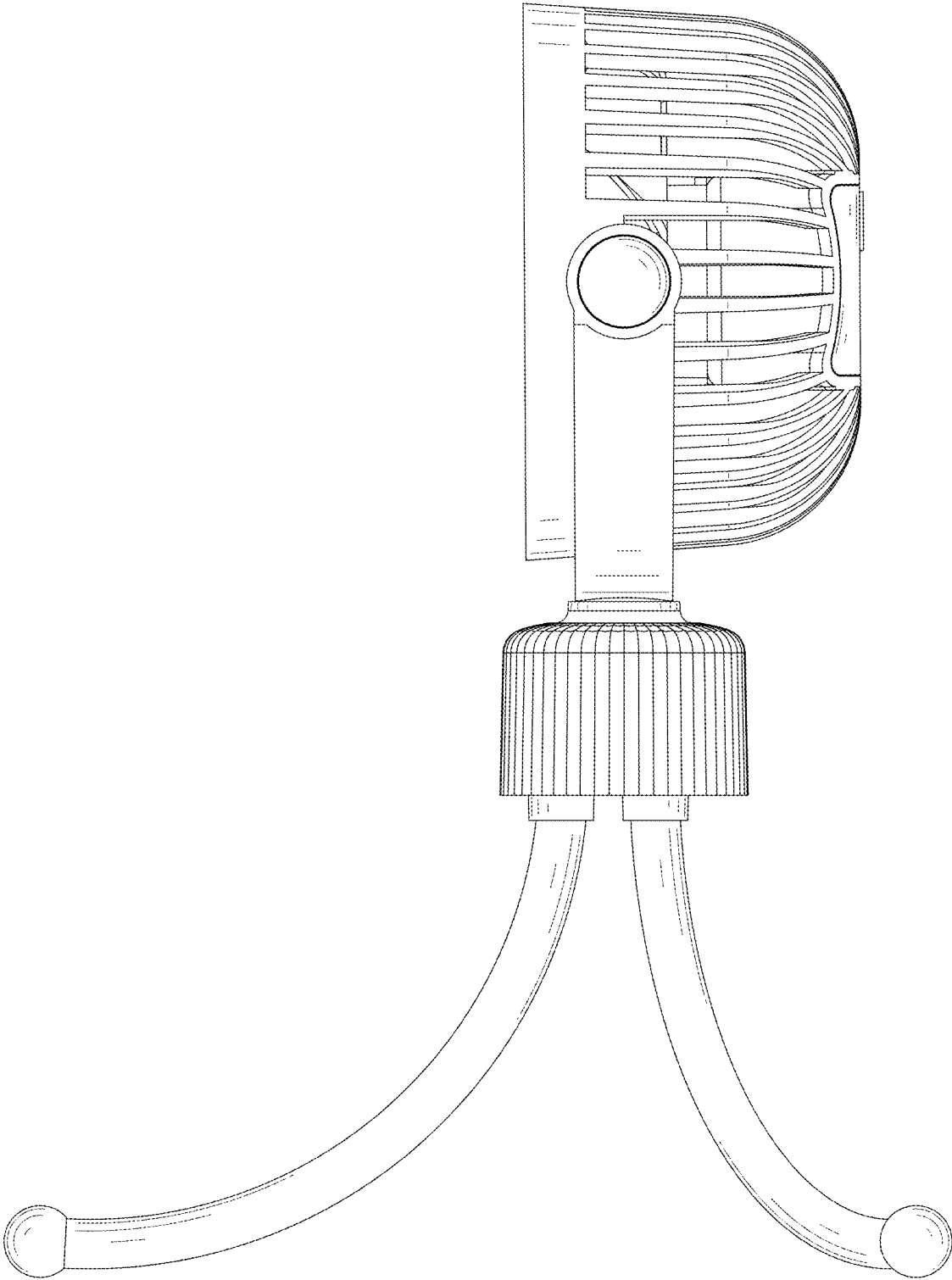


FIG. 6

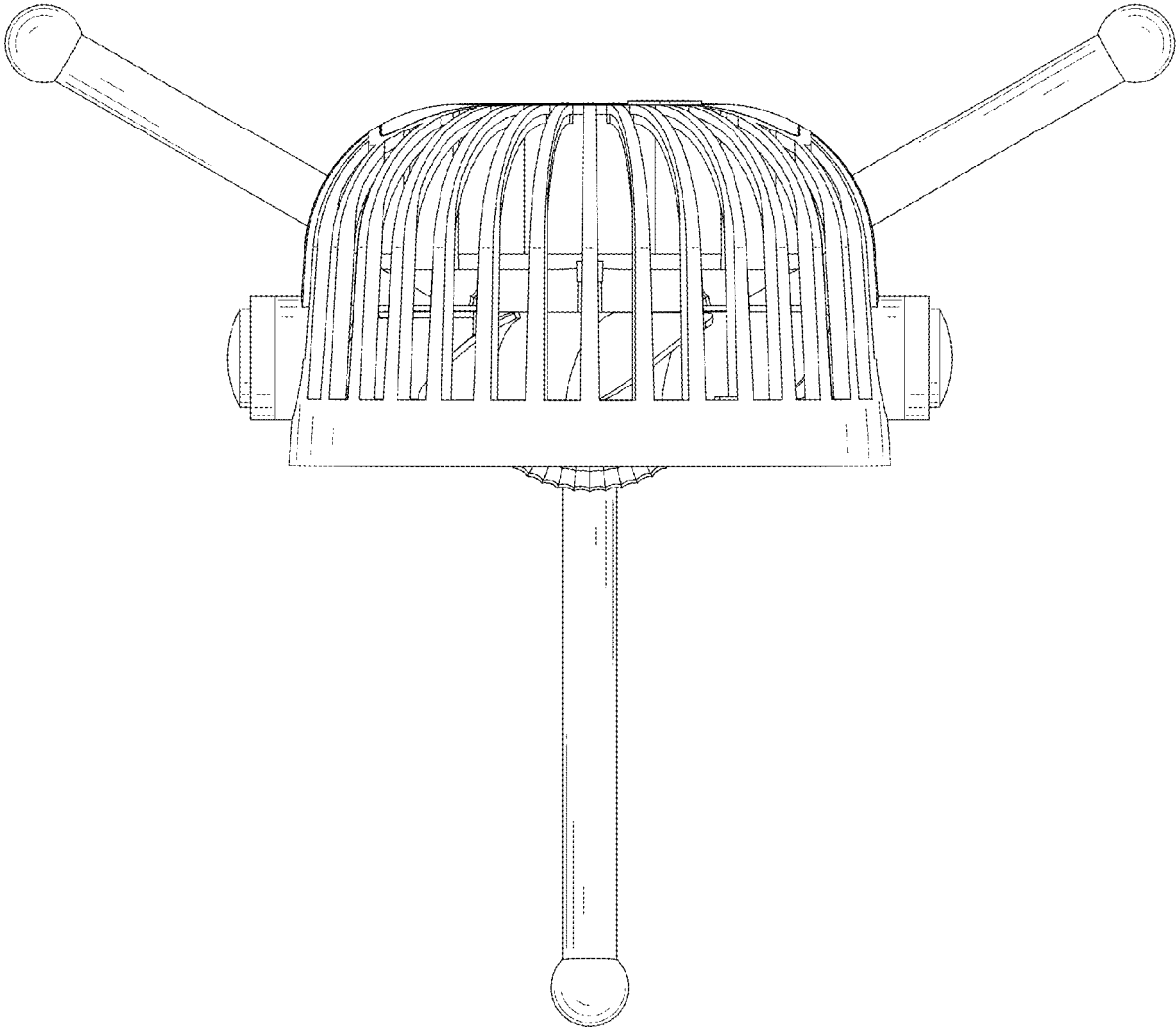


FIG. 7

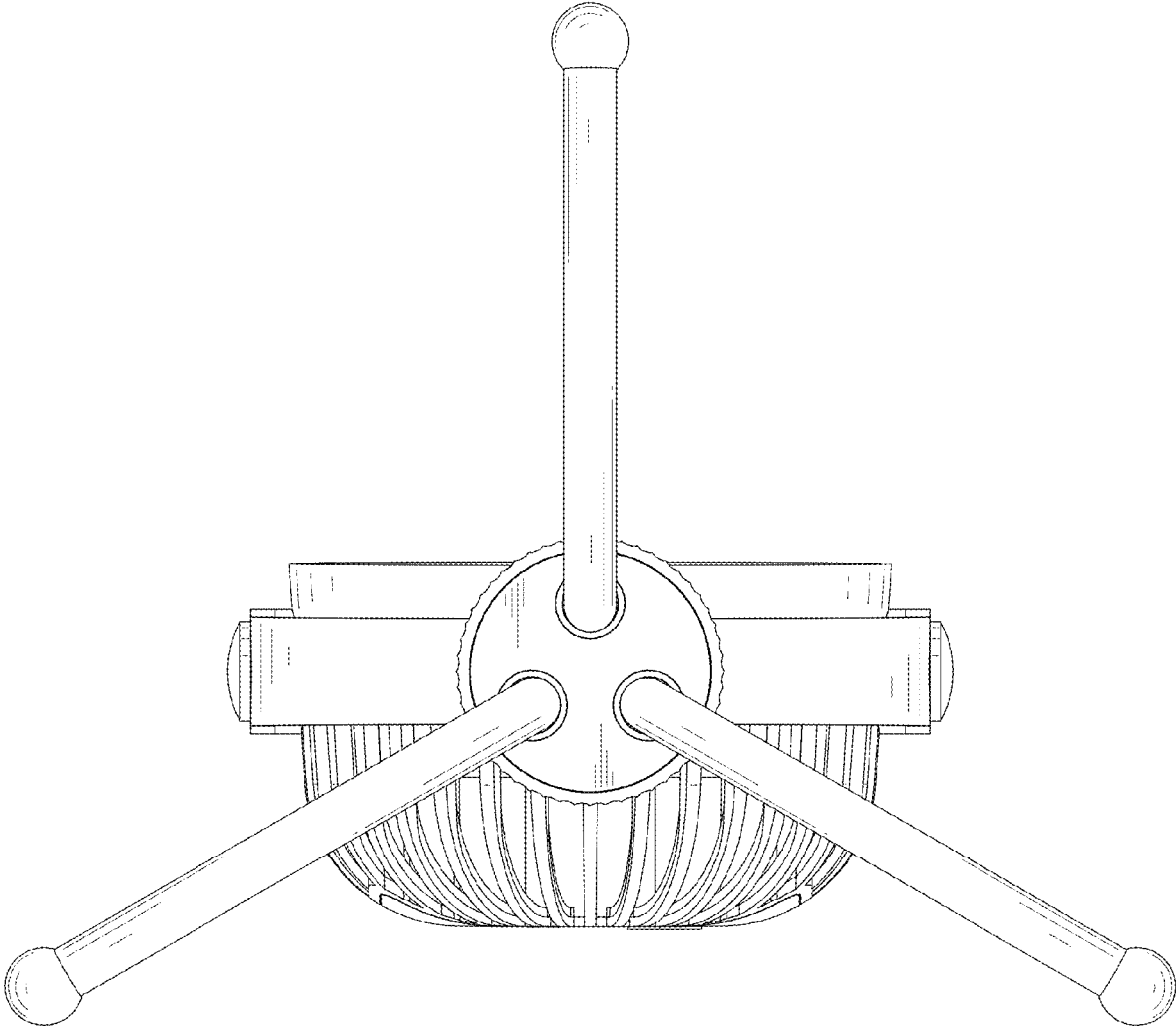


FIG. 8

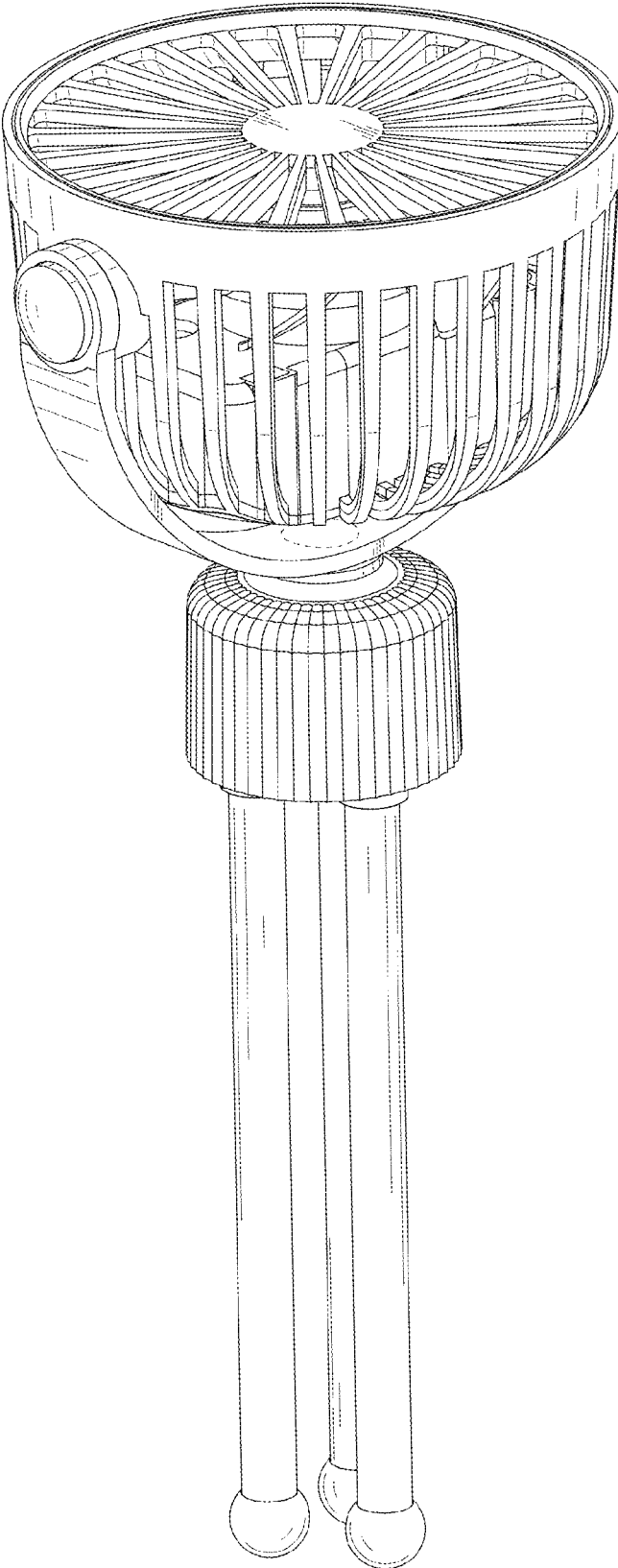


FIG. 9