



- (51) International Patent Classification: **CETT, Jonathan, E.**; 5177 Spencers Run, Stow, OH 44224 (US).  
*A47K 5/14* (2006.01)
- (21) International Application Number: PCT/US2013/068621
- (22) International Filing Date: 6 November 2013 (06.11.2013)
- (25) Filing Language: English
- (26) Publication Language: English
- (30) Priority Data:  
61/723,468 7 November 2012 (07.11.2012) US  
13/792,024 9 March 2013 (09.03.2013) US
- (71) Applicant: **GOJO INDUSTRIES, INC.** [US/US]; One Gojo Plaza, Suite 500, P.O. Box 991, Akron, OH 44309 (US).
- (72) Inventors: **CIAVARELLA, Nick, E.**; 921 Justo Lane, Seven Hills, OH 44131-3818 (US). **CORNEY, Richard, E.**; 4894 Provens Drive, Akron, OH 44319 (US). **FAW-**
- (74) Agent: **BONNER, Chet, J.**; Calfee, Halter & Griswold LLP, The Calfee Building, 1405 East Sixth Street, Cleveland, OH 44114 (US).
- (81) Designated States (unless otherwise indicated, for every kind of national protection available): AE, AG, AL, AM, AO, AT, AU, AZ, BA, BB, BG, BH, BN, BR, BW, BY, BZ, CA, CH, CL, CN, CO, CR, CU, CZ, DE, DK, DM, DO, DZ, EC, EE, EG, ES, FI, GB, GD, GE, GH, GM, GT, HN, HR, HU, ID, IL, IN, IR, IS, JP, KE, KG, KN, KP, KR, KZ, LA, LC, LK, LR, LS, LT, LU, LY, MA, MD, ME, MG, MK, MN, MW, MX, MY, MZ, NA, NG, NI, NO, NZ, OM, PA, PE, PG, PH, PL, PT, QA, RO, RS, RU, RW, SA, SC, SD, SE, SG, SK, SL, SM, ST, SV, SY, TH, TJ, TM, TN, TR, TT, TZ, UA, UG, US, UZ, VC, VN, ZA, ZM, ZW.
- (84) Designated States (unless otherwise indicated, for every kind of regional protection available): ARIPO (BW, GH, GM, KE, LR, LS, MW, MZ, NA, RW, SD, SL, SZ, TZ,

[Continued on next page]

(54) Title: UNDER-COUNTER MOUNT FOAM DISPENSING SYSTEMS WITH PERMANENT AIR COMPRESSORS AND REFILL UNITS FOR SAME

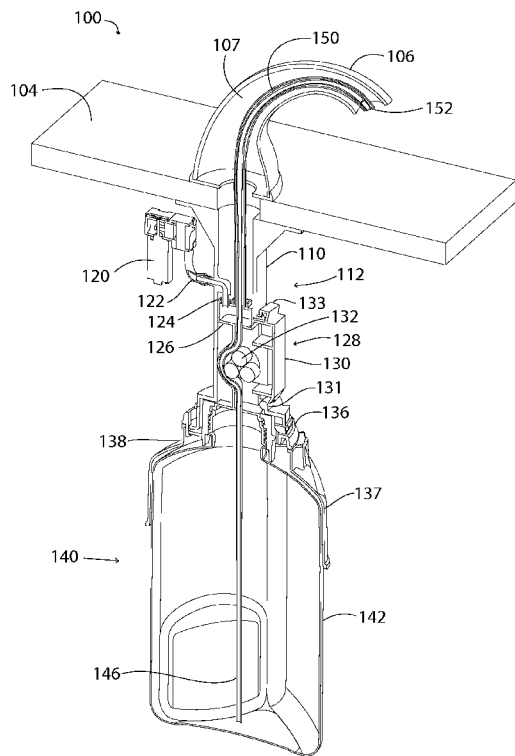


FIG. 1

(57) Abstract: Under-counter foam dispensing systems and refill units for under-counter mount foam dispensing systems are disclosed herein. An exemplary refill unit includes a container for holding a liquid, at least a portion of a liquid pump, a quick-connect air manifold for releasably connecting to a pressurized air source, an air passage to a mixing chamber and a liquid passage to the mixing chamber. The air inlet is in fluid communication with the source for pressurized air when the refill unit is mounted in the dispensing system and disengages from the pressurized air source when the refill unit is removed from the under-counter mount foam dispensing system.



UG, ZM, ZW), Eurasian (AM, AZ, BY, KG, KZ, RU, TJ, TM), European (AL, AT, BE, BG, CH, CY, CZ, DE, DK, EE, ES, FI, FR, GB, GR, HR, HU, IE, IS, IT, LT, LU, LV, MC, MK, MT, NL, NO, PL, PT, RO, RS, SE, SI, SK, SM, TR), OAPI (BF, BJ, CF, CG, CI, CM, GA, GN, GQ, GW, KM, ML, MR, NE, SN, TD, TG).

**Published:**

- *with international search report (Art. 21(3))*
- *before the expiration of the time limit for amending the claims and to be republished in the event of receipt of amendments (Rule 48.2(h))*

**Declarations under Rule 4.17:**

- *of inventorship (Rule 4.17(iv))*

**(88) Date of publication of the international search report:**

3 July 2014

# INTERNATIONAL SEARCH REPORT

International application No <b>PCT/US2013/068621</b>
--

**A. CLASSIFICATION OF SUBJECT MATTER**  
 INV. A47K5/14  
 ADD.

According to International Patent Classification (IPC) or to both national classification and IPC

**B. FIELDS SEARCHED**

Minimum documentation searched (classification system followed by classification symbols)  
 A47K A47J B67D

Documentation searched other than minimum documentation to the extent that such documents are included in the fields searched

Electronic data base consulted during the international search (name of data base and, where practicable, search terms used)  
 EPO-Internal, WPI Data

**C. DOCUMENTS CONSIDERED TO BE RELEVANT**

Category*	Citation of document, with indication, where appropriate, of the relevant passages	Relevant to claim No.
X  A	US 2006/011655 A1 (OPHARDT HEINER [CA]) 19 January 2006 (2006-01-19) page 1, paragraph 4 - paragraph 9 page 1, paragraph 22 - page 3, paragraph 45 figures 1-5 -----	17,18  1-16,19, 20

Further documents are listed in the continuation of Box C.       See patent family annex.

\* Special categories of cited documents :

<p>"A" document defining the general state of the art which is not considered to be of particular relevance</p> <p>"E" earlier application or patent but published on or after the international filing date</p> <p>"L" document which may throw doubts on priority claim(s) or which is cited to establish the publication date of another citation or other special reason (as specified)</p> <p>"O" document referring to an oral disclosure, use, exhibition or other means</p> <p>"P" document published prior to the international filing date but later than the priority date claimed</p>	<p>"T" later document published after the international filing date or priority date and not in conflict with the application but cited to understand the principle or theory underlying the invention</p> <p>"X" document of particular relevance; the claimed invention cannot be considered novel or cannot be considered to involve an inventive step when the document is taken alone</p> <p>"Y" document of particular relevance; the claimed invention cannot be considered to involve an inventive step when the document is combined with one or more other such documents, such combination being obvious to a person skilled in the art</p> <p>"&amp;" document member of the same patent family</p>
---	---

Date of the actual completion of the international search  <b>25 April 2014</b>	Date of mailing of the international search report  <b>06/05/2014</b>
---	---

Name and mailing address of the ISA/ European Patent Office, P.B. 5818 Patentlaan 2 NL - 2280 HV Rijswijk Tel. (+31-70) 340-2040, Fax: (+31-70) 340-3016	Authorized officer  <b>van de Beek-Duijker</b>
--	--

# INTERNATIONAL SEARCH REPORT

Information on patent family members

International application No

PCT/US2013/068621

Patent document cited in search report	Publication date	Patent family member(s)	Publication date
US 2006011655	A1	19-01-2006	CA 2474178 A1 14-01-2006
			DE 102005030574 A1 16-02-2006
			GB 2416159 A 18-01-2006
			US 2006011655 A1 19-01-2006
			US 2008121660 A1 29-05-2008
-----			