



US00D769643S

(12) **United States Design Patent**
Holton

(10) **Patent No.:** **US D769,643 S**

(45) **Date of Patent:** **** Oct. 25, 2016**

- (54) **NOTCHED CONTAINER HAVING AN ADJUSTABLE BRACKET**
- (71) Applicant: **Hunt Strategy, LLC**, Frankenmuth, MI (US)
- (72) Inventor: **James Robert Holton**, Holly, MI (US)
- (73) Assignee: **Hunt Strategy, LLC**, Frankenmuth, MI (US)
- (**) Term: **14 Years**
- (21) Appl. No.: **29/520,796**
- (22) Filed: **Mar. 18, 2015**
- (51) **LOC (10) Cl.** **06-07**
- (52) **U.S. Cl.**
USPC **D6/553**
- (58) **Field of Classification Search**
USPC D6/512, 513, 535, 553, 556, 574;
D23/267, 268; D11/143, 155, 156
CPC ... E04D 13/064; E04D 13/08; A47F 5/0807;
A47F 5/0025; A47F 5/04; A47H 27/00;
A47B 96/076; A47B 31/00; B65D 90/14;
B65D 25/24; B65D 25/22
See application file for complete search history.

- D306,201 S * 2/1990 Paulsson D23/267
- 4,957,254 A * 9/1990 Hill A47G 23/0225
248/207
- 5,433,336 A * 7/1995 Kristoffersson A47B 88/20
220/531
- 5,467,949 A * 11/1995 Lemke B65B 67/1233
211/85.15
- D365,232 S * 12/1995 Briault D11/156
- 5,476,188 A * 12/1995 Hassenpflug F41A 23/18
190/104
- 5,603,428 A * 2/1997 Breckwoldt E04F 21/02
220/636
- 5,636,818 A * 6/1997 Edwards B62B 3/1408
248/214
- D392,804 S * 3/1998 Wilkening D3/307
- D395,616 S * 6/1998 Egloff D11/156
- D403,268 S * 12/1998 Dignam D11/156
- 5,875,912 A * 3/1999 Hobson B43M 99/008
220/4.03
- D413,261 S * 8/1999 Yerich D11/143
- 6,454,124 B1 * 9/2002 Edwards E04F 21/02
220/4.32
- 6,575,328 B1 * 6/2003 Foraker E04F 21/00
220/23.91
- D493,995 S * 8/2004 Chen D6/553
- D520,286 S * 5/2006 Chen D6/553

(Continued)

Primary Examiner — John Windmuller

Assistant Examiner — Steven Czyz

(74) *Attorney, Agent, or Firm* — Holland & Hart LLP

(57) **CLAIM**

The ornamental design for a notched container having an adjustable bracket, as shown.

DESCRIPTION

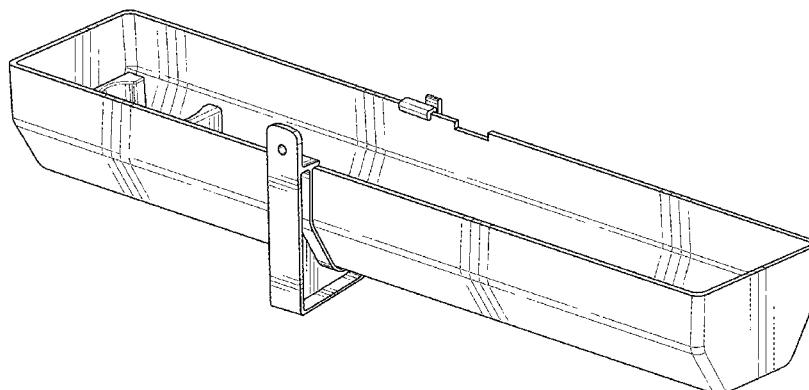
FIG. 1 is a rear perspective view of the notched container having an adjustable bracket of the present invention; FIG. 2 is a top perspective view thereof; FIG. 3 is a left side view thereof; FIG. 4 is a right side view thereof; FIG. 5 is a back view thereof; FIG. 6 is a front view thereof; and, FIG. 7 is a top plan view thereof.

1 Claim, 6 Drawing Sheets

(56) **References Cited**

U.S. PATENT DOCUMENTS

- 795,484 A * 7/1905 Coble et al. B65D 25/24
119/61.1
- D197,950 S * 4/1964 Eicholtz et al. D6/513
- D218,771 S * 9/1970 Harris et al. 211/65
- D245,288 S * 8/1977 Roark D3/298
- D247,357 S * 2/1978 Gray 47/59 R
- D259,868 S * 7/1981 Julinot D11/143
- D265,893 S * 8/1982 Whiting D11/151
- 4,380,290 A * 4/1983 Luebke A63C 11/027
206/315.1
- D296,089 S * 6/1988 Pouliot D11/143
- 4,750,695 A * 6/1988 Greenhouse B65F 1/1415
141/391
- D303,745 S * 10/1989 Lowe D6/553



(56)

References Cited

U.S. PATENT DOCUMENTS

D544,272 S *	6/2007	Chen	D6/553	D726,888 S *	4/2015	Johansen	D23/267
D563,136 S *	3/2008	Kramer	D6/553	2006/0169705 A1 *	8/2006	Pool	E04F 21/02 220/629
D564,820 S *	3/2008	Loew	D6/513	2007/0152002 A1 *	7/2007	Dollar	B60R 11/00 224/404
D587,947 S *	3/2009	Valiulis	D6/553	2007/0176058 A1 *	8/2007	Kohn	A47F 9/042 248/100
D589,728 S *	4/2009	Shaha	D3/304	2009/0250294 A1 *	10/2009	Byers	E06C 7/14 182/129
D607,254 S *	1/2010	Mak	D6/553	2011/0290803 A1 *	12/2011	Kehres	E04F 21/02 220/475
D636,198 S *	4/2011	Gibbs	D6/513				
D699,045 S *	2/2014	Gomes	D6/513				

* cited by examiner

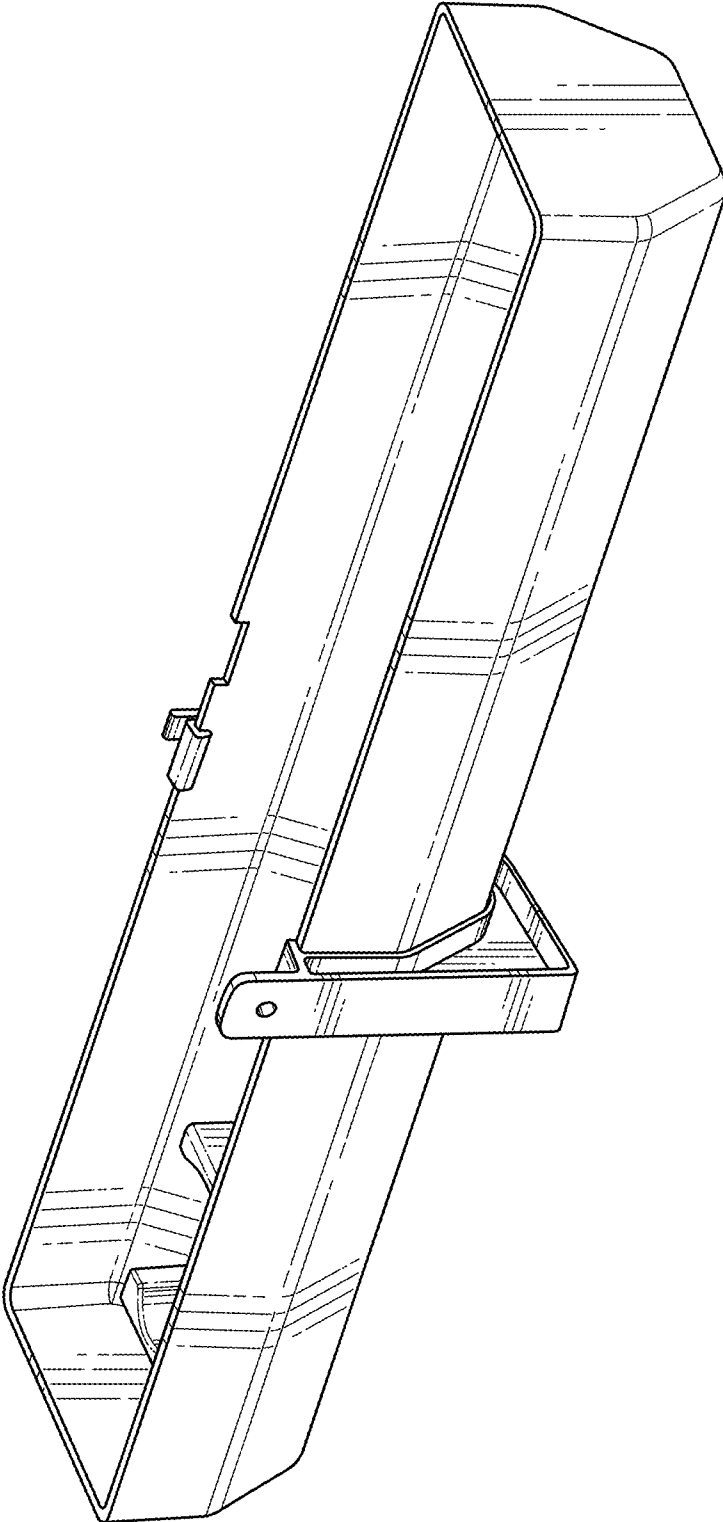


FIG. 1

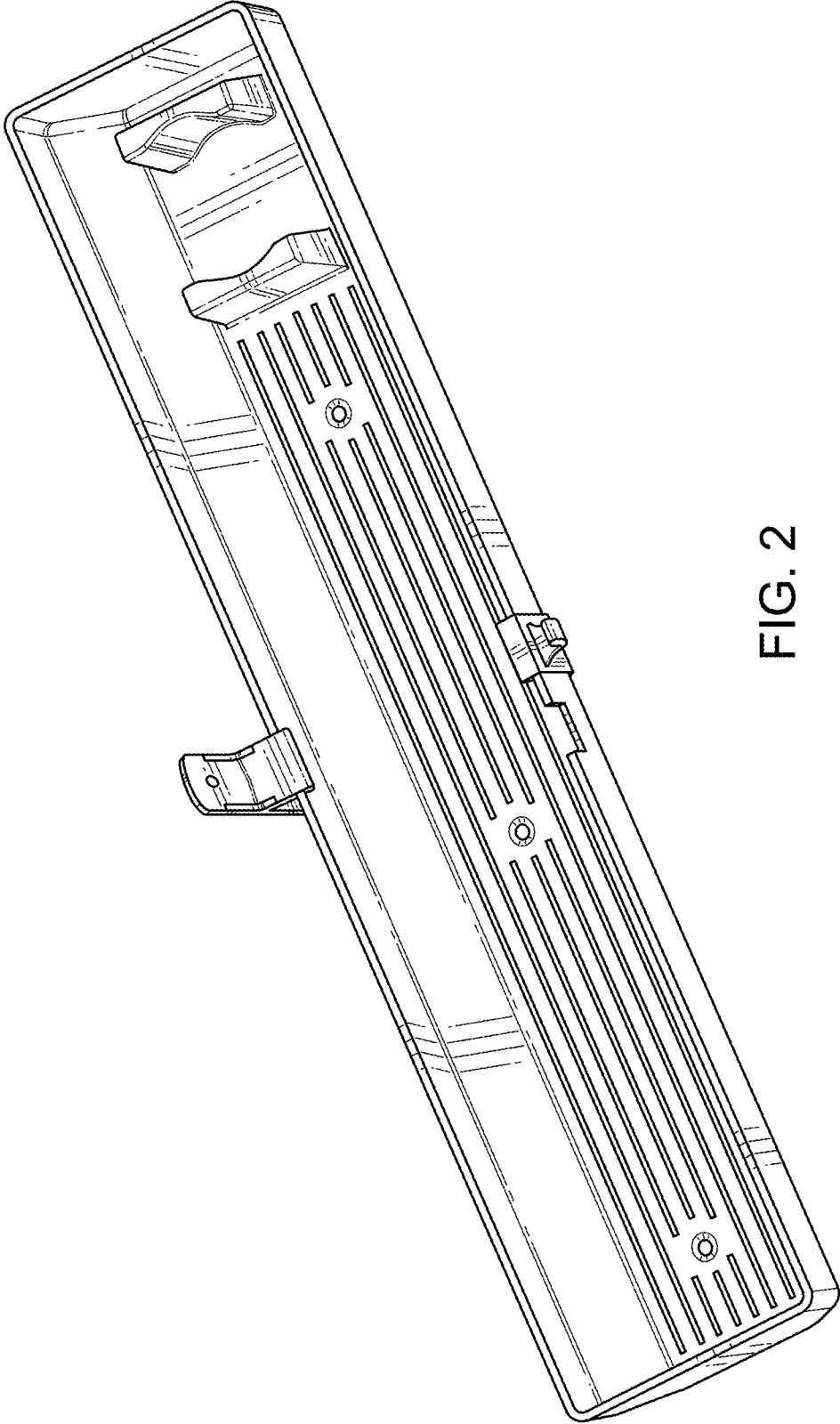


FIG. 2

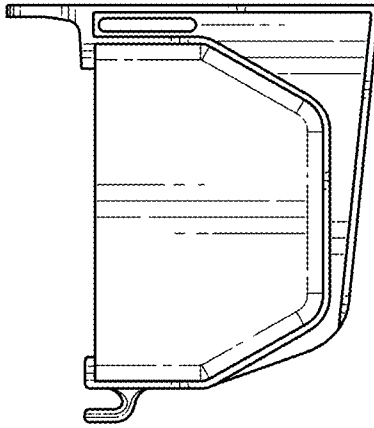


FIG. 4

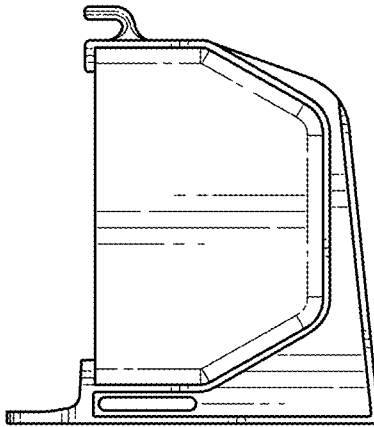


FIG. 3

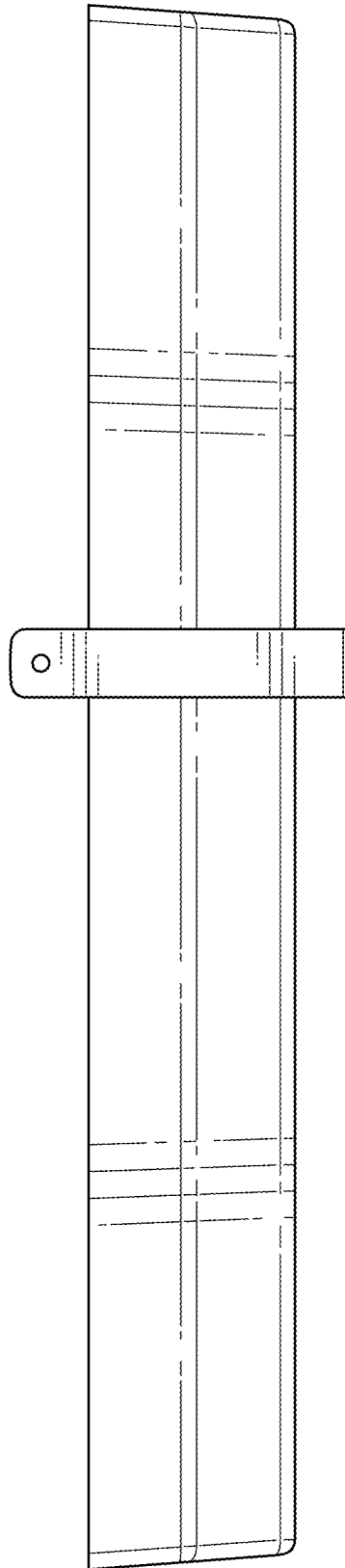


FIG. 5

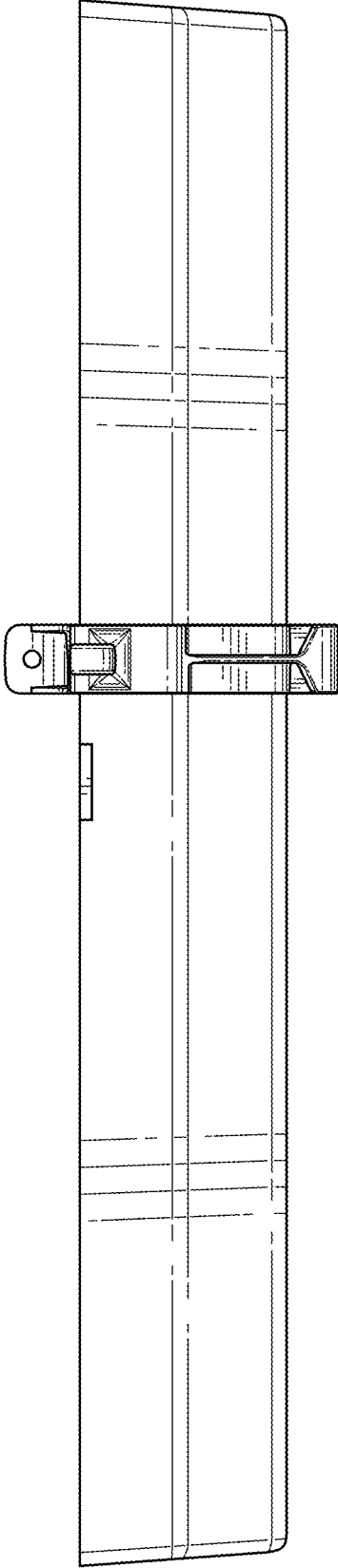


FIG. 6

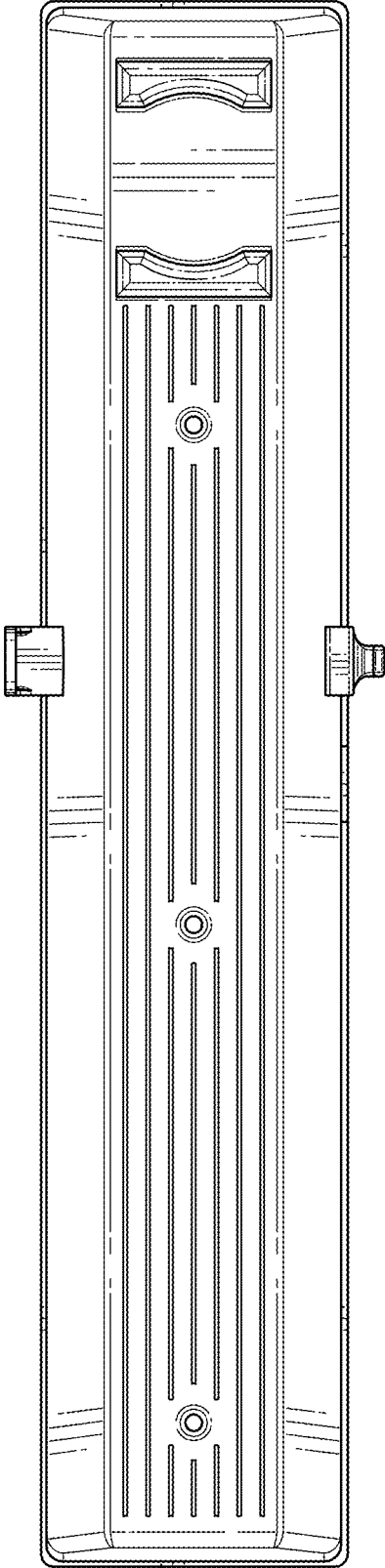


FIG. 7