

(19) World Intellectual Property Organization
International Bureau



(43) International Publication Date
25 June 2009 (25.06.2009)

PCT

(10) International Publication Number
WO 2009/079253 A3

- (51) International Patent Classification:
B60N 2/44 (2006.01)
- (21) International Application Number:
PCT/US2008/085840
- (22) International Filing Date:
8 December 2008 (08.12.2008)
- (25) Filing Language: English
- (26) Publication Language: English
- (30) Priority Data:
61/012,820 11 December 2007 (11.12.2007) US
- (71) Applicant (for all designated States except US): **BE AEROSPACE, INC.** [US/US]; 1400 Corporate Center Way, Wellington, FL 33414 (US).
- (72) Inventor; and
- (75) Inventor/Applicant (for US only): **LIVENGOOD, Edward, Thomas** [US/US]; 6225 Shelwin Ct., Winston-Salem, NC 27106 (US).
- (74) Agents: **ADAMS, III, W. Thad** et al.; Adams Intellectual Property Law, P.A., Suite 2350, Charlotte Plaza, 201 South College Street, Charlotte, NC 28244 (US).
- (81) Designated States (unless otherwise indicated, for every kind of national protection available): AE, AG, AL, AM, AO, AT, AU, AZ, BA, BB, BG, BH, BR, BW, BY, BZ, CA, CH, CN, CO, CR, CU, CZ, DE, DK, DM, DO, DZ, EC, EE, EG, ES, FI, GB, GD, GE, GH, GM, GT, HN, HR, HU, ID, IL, IN, IS, JP, KE, KG, KM, KN, KP, KR, KZ, LA, LC, LK, LR, LS, LT, LU, LY, MA, MD, ME, MG, MK, MN, MW, MX, MY, MZ, NA, NG, NI, NO, NZ, OM, PG, PH, PL, PT, RO, RS, RU, SC, SD, SE, SG, SK, SL, SM, ST, SV, SY, TJ, TM, TN, TR, TT, TZ, UA, UG, US, UZ, VC, VN, ZA, ZM, ZW.
- (84) Designated States (unless otherwise indicated, for every kind of regional protection available): ARIPO (BW, GH, GM, KE, LS, MW, MZ, NA, SD, SL, SZ, TZ, UG, ZM, ZW), Eurasian (AM, AZ, BY, KG, KZ, MD, RU, TJ, TM), European (AT, BE, BG, CH, CY, CZ, DE, DK, EE, ES, FI, FR, GB, GR, HR, HU, IE, IS, IT, LT, LU, LV, MC, MT, NL, NO, PL, PT, RO, SE, SI, SK, TR), OAPI

[Continued on next page]

(54) Title: INSULATING COVER FOR FLAMMABLE CUSHIONING MATERIALS

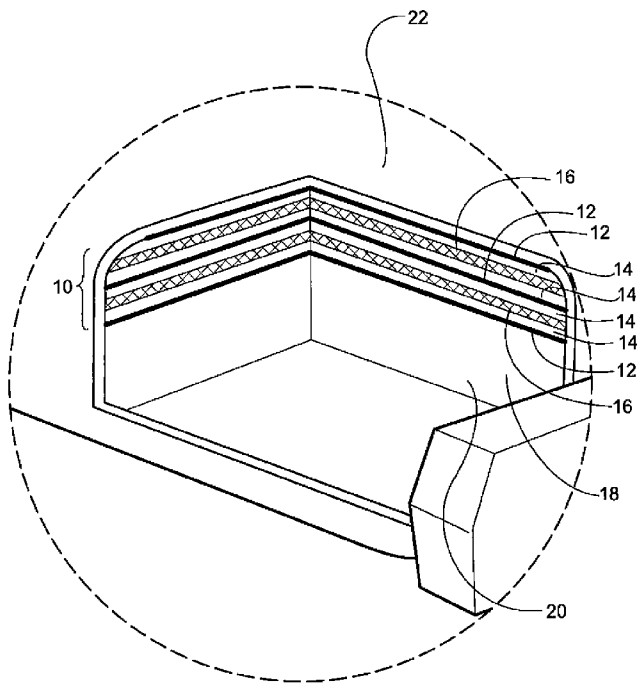


Fig. 2

(57) Abstract: An insulating cover for a cushioning material for providing a barrier against heat and flame, the insulating cover comprising at least one layer of aluminum film or ceramic fabric, at least one layer of fire-blocking material, and at least one layer of adhesive, wherein the insulating cover is flexible so as to conform to and move with an underlying cushioning material. The insulating cover may be positioned between a cushion and the protective fabric of an aircraft passenger seat.



WO 2009/079253 A3



(BF, BJ, CF, CG, CI, CM, GA, GN, GQ, GW, ML, MR, NE, SN, TD, TG).

— before the expiration of the time limit for amending the claims and to be republished in the event of receipt of amendments (Rule 48.2(h))

Published:

— with international search report (Art. 21(3))

(88) Date of publication of the international search report:

13 August 2009

INTERNATIONAL SEARCH REPORT

International application No.

PCT/US 08/85840

A. CLASSIFICATION OF SUBJECT MATTER
 IPC(8) - B32B 33/00 (2009.01)
 USPC - 442/136, 138
 According to International Patent Classification (IPC) or to both national classification and IPC

B. FIELDS SEARCHED
 Minimum documentation searched (classification system followed by classification symbols)
 USPC - 442/136, 138

Documentation searched other than minimum documentation to the extent that such documents are included in the fields searched
 USPC - 442/137; 428/920, 921
 IPC(8) - B32B 33/00, B32B 27/00, B32B 19/04, B32B 15/20 (2009.01)

Electronic data base consulted during the international search (name of data base and, where practicable, search terms used)
 PubWEST (USPT, PGPB, USOC, JPAB, EPAB), Google, GooglePatents: fire, flame, heat, resistant, retardant, layer, adhesive, silicone, fiberglass, aramid, aluminum, ceramic, aircraft, airplane, vehicle, seat, cushion, sofa, furniture, BE Aerospace

C. DOCUMENTS CONSIDERED TO BE RELEVANT

Category*	Citation of document, with indication, where appropriate, of the relevant passages	Relevant to claim No.
X --- Y	US 5,487,799 A (Tsukada) 30 January 1996 (30.01.1996). Entire document, particularly Fig 1; col 2, ln 30-38, 58-67; col 3, ln 1-7; col 4, ln 1-8.	1, 2, 5 --- 3, 4, 6-13
Y	US 5,632,053 A (Weingartner et al.) 27 May 1997 (27.05.1997). Entire document, particularly Fig 1-3; col 9, ln 61 - col 10, ln 1; col 10, ln 34-47; col 5, ln 36-40.	3, 4, 6-13
A	US 5,149,582 A (LaMarca et al.) 22 September 1992 (22.09.1992). Fig 2; col 6, ln 26-34.	1-13
A	US 4,463,465 A (Parker et al.) 7 August 1984 (07.08.1984). Abstract; Fig 3; entire document.	1-13
A	US 4,743,495 A (Lilani et al.) 10 May 1988 (10.05.1988). Fig 2; Absract; Col 5, ln 9-12.	1-13

Further documents are listed in the continuation of Box C.

* Special categories of cited documents:	"T" later document published after the international filing date or priority date and not in conflict with the application but cited to understand the principle or theory underlying the invention
"A" document defining the general state of the art which is not considered to be of particular relevance	"X" document of particular relevance; the claimed invention cannot be considered novel or cannot be considered to involve an inventive step when the document is taken alone
"E" earlier application or patent but published on or after the international filing date	"Y" document of particular relevance; the claimed invention cannot be considered to involve an inventive step when the document is combined with one or more other such documents, such combination being obvious to a person skilled in the art
"L" document which may throw doubts on priority claim(s) or which is cited to establish the publication date of another citation or other special reason (as specified)	"&" document member of the same patent family
"O" document referring to an oral disclosure, use, exhibition or other means	
"P" document published prior to the international filing date but later than the priority date claimed	

Date of the actual completion of the international search 23 April 2009 (23.04.2009)	Date of mailing of the international search report 08 JUN 2009
Name and mailing address of the ISA/US Mail Stop PCT, Attn: ISA/US, Commissioner for Patents P.O. Box 1450, Alexandria, Virginia 22313-1450 Facsimile No. 571-273-3201	Authorized officer: Lee W. Young PCT Helpdesk: 571-272-4300 PCT OSP: 571-272-7774