



(12) **United States Design Patent**
Petersen

(10) **Patent No.:** **US D831,194 S**
(45) **Date of Patent:** **** Oct. 16, 2018**

- (54) **SYRINGE PUMP HOUSING**
- (71) Applicant: **CSL Behring Recombinant Facility AG, Bern (CH)**
- (72) Inventor: **Carsten Petersen, Hoejbjerg (DK)**
- (73) Assignees: **CSL BEHRING RECOMBINANT FACILITY AG, Bern (CH); MEDICOM INNOVATION PARTNER a/s, Struer (DK)**
- (**) Term: **15 Years**
- (21) Appl. No.: **29/562,962**
- (22) Filed: **Apr. 29, 2016**
- (51) **LOC (11) Cl.** **24-02**
- (52) **U.S. Cl.**
USPC **D24/111**
- (58) **Field of Classification Search**
USPC D24/107, 108, 111, 169, 185, 188
CPC A61M 5/142; A61M 2005/14208; A61M 5/14212; A61M 5/14228; A61M 5/14232; A61M 5/145; A61M 5/1456; A61M 5/14566; A61M 5/1458; A61M 5/1452; A61M 2205/505; A61M 5/14244; A61M 5/1723; A61M 2205/52; G06F 19/3468
See application file for complete search history.

- D325,781 S * 4/1992 Moller-Jensen D24/169
- D326,152 S * 5/1992 Rutter D24/111
- D326,153 S * 5/1992 Eastman D24/111
- D326,320 S * 5/1992 Rutter D24/111
- D351,469 S * 10/1994 Okamoto D24/169
- 5,505,709 A * 4/1996 Funderburk A61M 5/1456
604/151
- 5,637,095 A * 6/1997 Nason A61M 5/14244
604/135
- 5,954,697 A * 9/1999 Srisathapat A61M 5/1456
604/154
- 6,302,855 B1 * 10/2001 Lav A61B 5/14532
600/584
- D461,241 S * 8/2002 Moberg D24/111
(Continued)

Primary Examiner — Karen E Kearney
Assistant Examiner — Lilyana Bekic
 (74) *Attorney, Agent, or Firm* — Finnegan, Henderson, Farabow, Garrett & Dunner LLP

(57) **CLAIM**

The ornamental design for a syringe pump housing, as shown and described.

DESCRIPTION

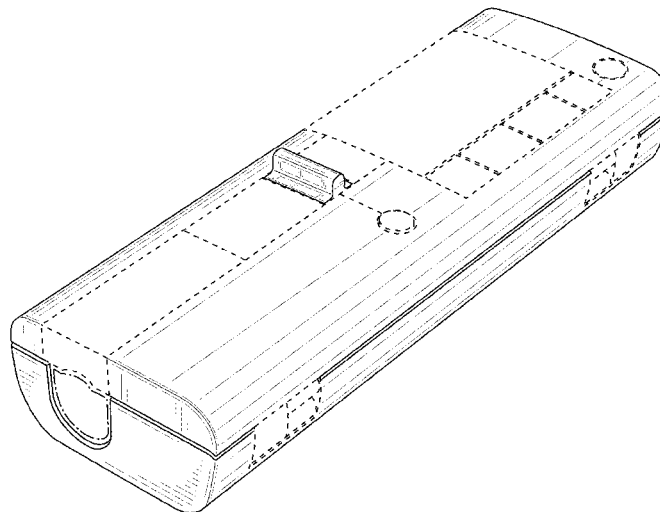
FIG. 1 is a front bottom right perspective view of a syringe pump housing showing my new design; FIG. 2 is a front elevation view thereof; FIG. 3 is a rear elevation view thereof; FIG. 4 is a top plan view thereof; FIG. 5 is a bottom plan view thereof; FIG. 6 is a left side view thereof; and, FIG. 7 is a right side view thereof.
 The broken lines of even length shown in the drawings illustrate portions of the syringe pump housing that form no part of the claimed design. The broken lines of uneven length shown in the drawings illustrate the boundary of the claimed design, and form no part of the claimed design.

1 Claim, 5 Drawing Sheets

(56) **References Cited**

U.S. PATENT DOCUMENTS

- D265,243 S * 6/1982 Manno D24/111
- 4,493,704 A * 1/1985 Beard A61M 5/1452
604/154
- 4,529,401 A * 7/1985 Leslie A61M 5/1456
128/DIG. 1
- 4,648,872 A * 3/1987 Kamen A61M 5/1456
128/DIG. 12
- 4,978,335 A * 12/1990 Arthur, III A61M 5/1456
128/DIG. 1
- D325,255 S * 4/1992 Busche D24/108



(56)

References Cited

U.S. PATENT DOCUMENTS

D461,891 S * 8/2002 Moberg D24/111
D506,007 S * 6/2005 Best D24/169
D669,165 S * 10/2012 Estes D24/111
D669,167 S * 10/2012 Estes D24/111
8,454,562 B1 * 6/2013 Sims A61M 5/14244
604/151
D689,523 S * 9/2013 Galbraith D15/7
D691,258 S * 10/2013 Estes D24/111
D691,259 S * 10/2013 Estes D24/111
9,427,523 B2 * 8/2016 Qi
D791,306 S * 7/2017 Clemente D24/111
9,833,569 B2 * 12/2017 Gray A61M 5/14244
D809,134 S * 1/2018 Crothall D24/111
9,861,740 B2 * 1/2018 Adams A61M 5/1452
9,878,095 B2 * 1/2018 Alderete, Jr. A61M 5/16831
9,956,339 B2 * 5/2018 Smith A61M 5/14244
9,962,482 B2 * 5/2018 Patel A61M 5/1413
2001/0034502 A1 * 10/2001 Moberg A61M 5/1456
604/154
2008/0306449 A1 * 12/2008 Kristensen A61M 5/20
604/192
2011/0040247 A1 * 2/2011 Mandro A61M 5/142
604/66
2018/0117253 A1 * 5/2018 Salahshoor Kordestani
A61M 5/30

* cited by examiner

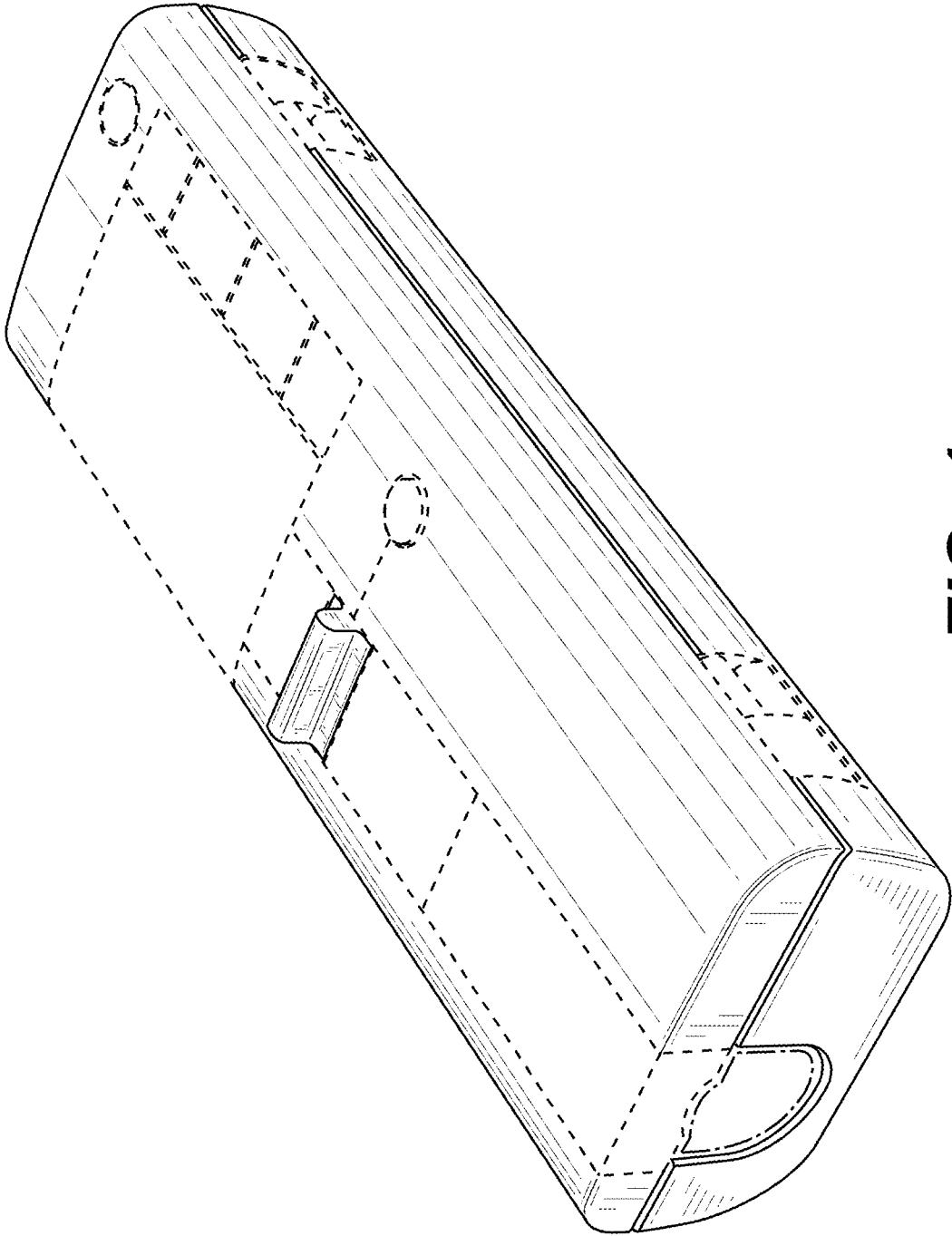


FIG. 1

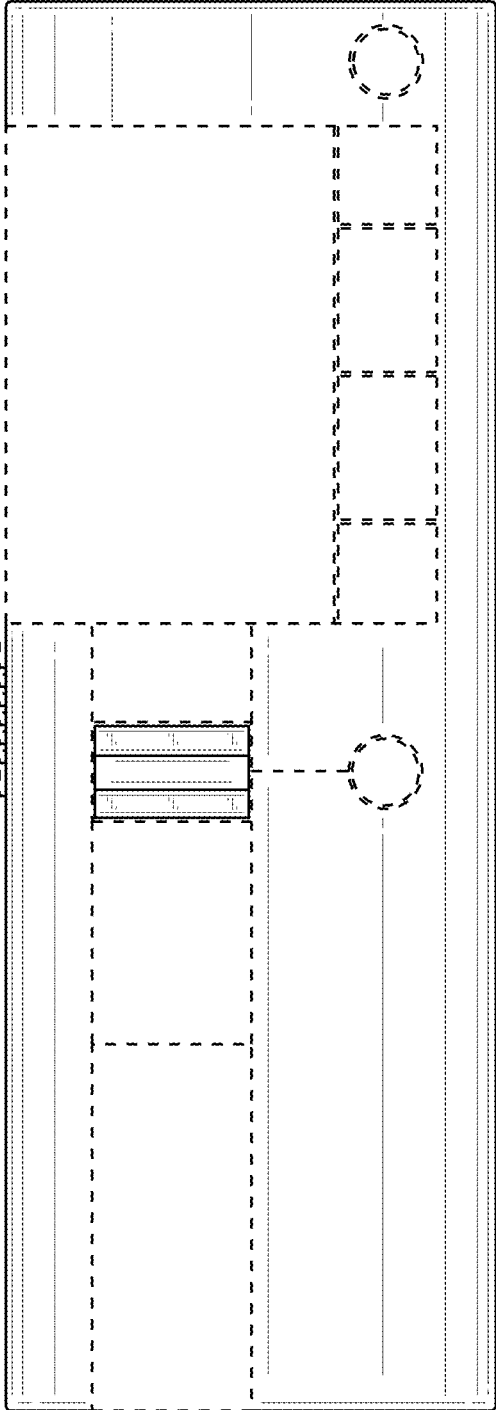


FIG. 2

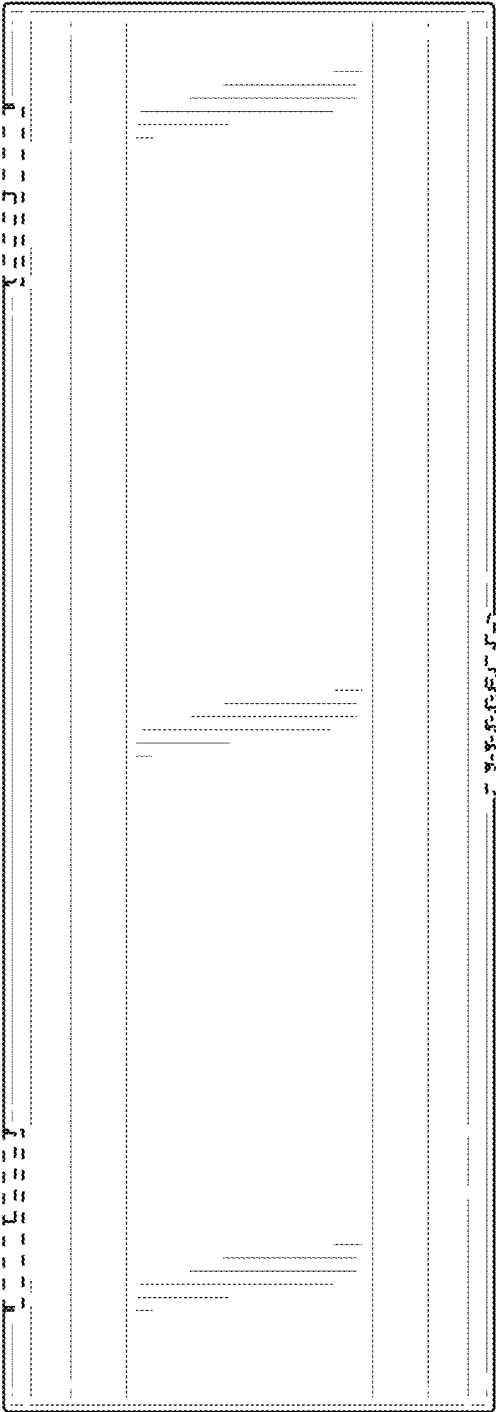


FIG. 3

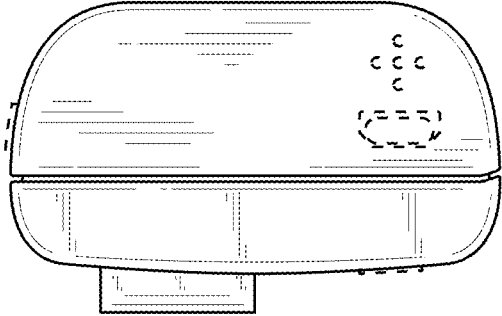


FIG. 4

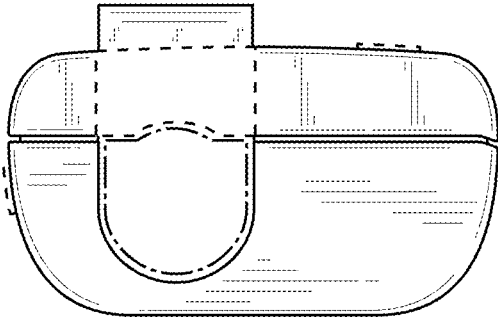


FIG. 5

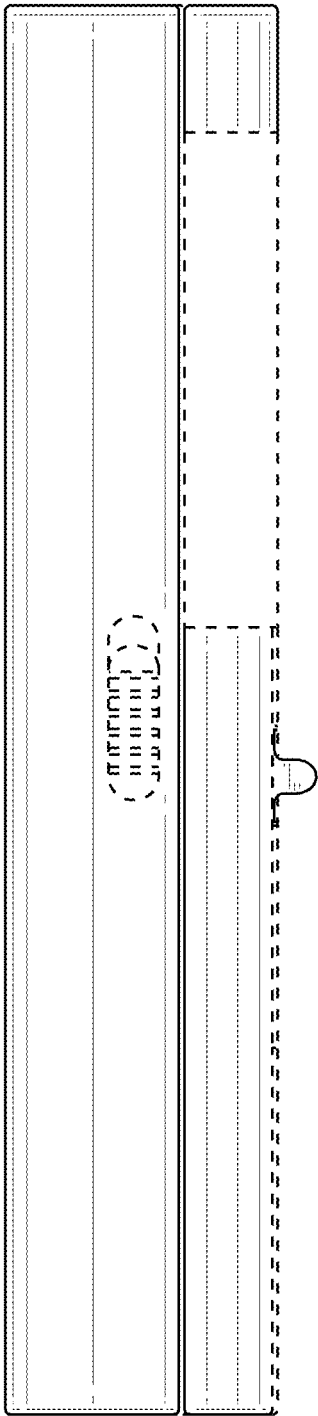


FIG. 6

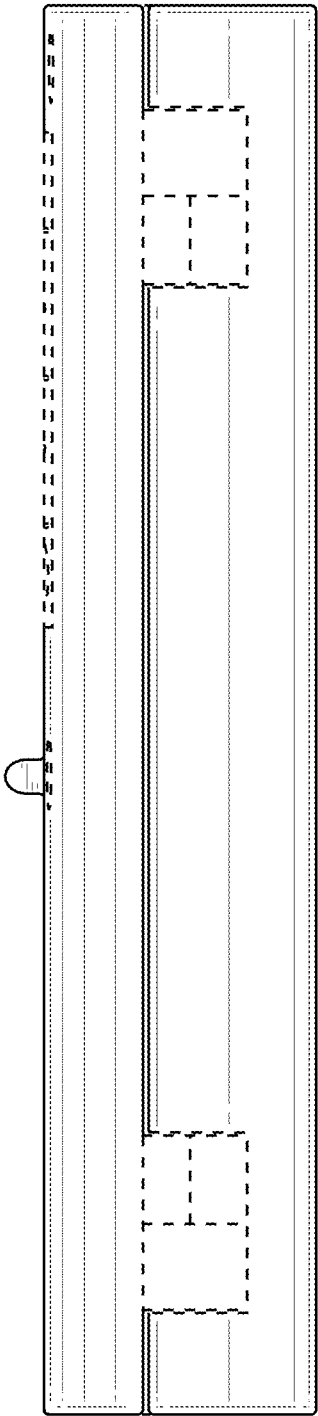


FIG. 7