



US00D860476S

(12) **United States Design Patent** (10) **Patent No.:** **US D860,476 S**
Foley et al. (45) **Date of Patent:** **** Sep. 17, 2019**

(54) **HINGE FOR A MULTI-POSITION LADDER**
(71) Applicant: **Tricam Industries, Inc.**, Eden Prairie, MN (US)
(72) Inventors: **Joseph P. Foley**, St. Paul, MN (US); **Dennis D. Simpson**, Plymouth, MN (US); **Benjamin P. Williams**, Chaska, MN (US)
(73) Assignee: **Tricam Industries, Inc.**, Eden Prairie, MN (US)

1,702,249 A 2/1929 Davidson
1,778,898 A 10/1930 Joseph
1,942,210 A 1/1934 Walter
2,090,331 A 8/1937 Kutscheid
2,109,886 A 3/1938 Lewis
2,144,440 A 1/1939 Gaffers
2,186,119 A 1/1940 Moen
2,207,923 A 7/1940 Kelso
2,280,691 A 4/1942 Edelmann
2,385,171 A 9/1945 Cowles
2,525,104 A 10/1950 St. Cyr
2,587,177 A 2/1952 Larson
2,596,521 A 5/1952 Bell

(Continued)

(**) Term: **15 Years**

FOREIGN PATENT DOCUMENTS

(21) Appl. No.: **29/589,674**

CA 348116 2/1935
CA 2315585 A1 2/2001

(22) Filed: **Jan. 4, 2017**

(Continued)

(51) **LOC (12) Cl.** **25-04**

Primary Examiner — Cynthia Ramirez

(52) **U.S. Cl.** **D25/68**
USPC **D25/68**

Assistant Examiner — Gino Colan

(58) **Field of Classification Search**

(74) *Attorney, Agent, or Firm* — Patterson Thuent Pedersen, P.A.

USPC D25/62-69; 16/332, 331, 344, 349, 329, 16/334, 327; 403/93, 91, 24; 182/104
CPC ... E06C 1/32; E06C 1/00; F16C 11/04; E05D 11/10
See application file for complete search history.

(57) **CLAIM**

We claim the ornamental design for hinge for a multi-position ladder, as shown and described.

(56) **References Cited**

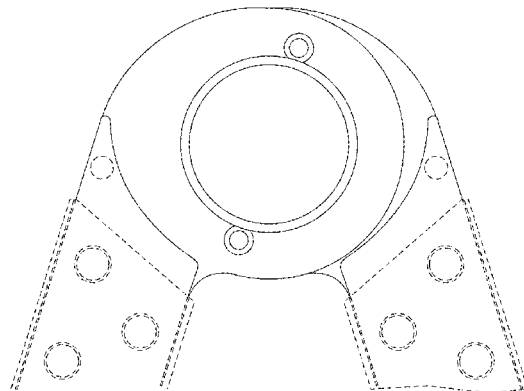
DESCRIPTION

U.S. PATENT DOCUMENTS

53,566 A 4/1866 Brown
140,156 A 6/1873 Olsson
162,075 A 4/1875 Isaacs et al.
317,024 A 5/1885 Schumann
413,730 A 10/1889 Palmer
445,453 A 1/1891 Nowland
502,967 A 8/1893 Hetrick et al.
749,670 A 1/1904 Gardner
834,653 A 10/1906 Barrett
935,306 A 9/1909 Jennings
1,283,212 A 10/1918 Kloepfer et al.

FIG. 1 is a right side elevation view of a hinge for a multi-position ladder showing our new design; FIG. 2 is a front elevation view thereof; FIG. 3 is a top plan view thereof; FIG. 4 is a front right perspective view thereof; and, FIG. 5 is a front left perspective view thereof. The broken lines shown in the figures are included for the purpose of illustrating portions of the hinge for a multi-position ladder and form no part of the claimed design.

1 Claim, 5 Drawing Sheets



(56)

References Cited

U.S. PATENT DOCUMENTS

2,650,014	A	8/1953	Harrison	D309,502	S	7/1990	Wing et al.	
2,805,104	A	9/1957	Johnson-Ross	4,949,811	A	8/1990	Bailey	
2,899,011	A	8/1959	Babits	4,951,780	A	8/1990	Kim	
2,952,301	A	9/1960	Ervin et al.	4,974,701	A	12/1990	Parise	
D189,419	S	12/1960	Bair	5,022,118	A *	6/1991	Wan-Li	E06C 1/32
3,005,513	A	10/1961	Larson					16/327
3,085,651	A	4/1963	Howard	5,026,198	A	6/1991	Lin	
3,224,530	A	12/1965	Marvin et al.	5,052,581	A	10/1991	Christ et al.	
3,269,485	A	8/1966	Larson	5,056,620	A	10/1991	Zumwalt et al.	
D212,086	S	8/1968	Gilman	5,058,239	A	10/1991	Lee	
3,476,211	A	11/1969	Cormier	5,074,377	A	12/1991	Krause	
3,481,026	A	12/1969	Lindesmith et al.	5,137,240	A	8/1992	Van Meter	
3,495,684	A	2/1970	Homery	5,163,532	A	11/1992	McCarty	
3,625,388	A	12/1971	Golden et al.	D335,966	S	6/1993	Schwartzkopf et al.	
3,647,606	A	3/1972	Notaro	5,228,535	A	7/1993	NcCarty	
3,692,143	A	9/1972	Kummerlin et al.	5,353,892	A	10/1994	Lu	
D225,493	S	12/1972	Rossi	5,366,051	A	11/1994	Bartnicki et al.	
3,744,591	A	7/1973	Lucci et al.	5,368,347	A	11/1994	Holtman et al.	
3,811,151	A	5/1974	Kuemmerlin	5,386,907	A	2/1995	Kahl et al.	
3,842,936	A	10/1974	De Luca	5,419,409	A	5/1995	Corulla	
3,869,901	A	3/1975	Neary	5,438,938	A	8/1995	Meeker et al.	
3,999,629	A	12/1976	Schaffer et al.	5,460,240	A	10/1995	Jones	
4,027,741	A	6/1977	Derrick	5,487,207	A	1/1996	Rey	
4,031,981	A	6/1977	Spencer	5,505,302	A	4/1996	Ferley	
4,060,150	A	11/1977	Hughes	5,507,460	A	4/1996	Schneider et al.	
4,061,203	A	12/1977	Spencer et al.	5,547,080	A	8/1996	Klimas	
D248,777	S	8/1978	Spencer et al.	5,603,405	A	2/1997	Smith	
4,153,137	A	5/1979	Johnson	5,613,574	A	3/1997	Melanson	
4,155,422	A	5/1979	Larson et al.	5,620,272	A	4/1997	Sheng	
RE30,020	E	6/1979	Spencer et al.	5,636,706	A	6/1997	Plotner et al.	
4,182,431	A	1/1980	Wing	5,673,885	A	10/1997	Pham	
4,204,587	A	5/1980	Larson	D387,878	S	12/1997	Jacques	
4,210,224	A	7/1980	Kummerlin et al.	D388,882	S	1/1998	Kain	
4,216,844	A	8/1980	Klafs	5,722,507	A	3/1998	Kain	
4,276,955	A	7/1981	Hickman	5,727,649	A	3/1998	Buckley	
4,298,093	A	11/1981	Wing	5,740,883	A	4/1998	Trank	
4,306,700	A	12/1981	Bell	5,762,163	A	6/1998	Kain	
4,310,134	A	1/1982	Schopp et al.	5,775,460	A	7/1998	Stone	
4,356,854	A	11/1982	McGee	5,788,072	A	8/1998	Chen	
4,371,055	A	2/1983	Ashton et al.	5,791,439	A	8/1998	Plotner et al.	
4,376,470	A	3/1983	Ashton	5,826,719	A	10/1998	Chen	
4,407,045	A	10/1983	Boothe	D401,353	S	11/1998	Bell et al.	
4,440,264	A	4/1984	Knoke et al.	5,873,433	A	2/1999	Katz	
4,469,193	A	9/1984	Rumsey, Jr.	5,873,463	A	2/1999	Purcell	
4,470,045	A	9/1984	Anderson	D410,550	S	6/1999	Meyers	
4,474,264	A *	10/1984	Krause	5,913,380	A	6/1999	Gugel et al.	
			E06C 1/32	D411,888	S	7/1999	King	
			16/332	5,930,872	A	8/1999	McBride et al.	
4,483,415	A	11/1984	Disston et al.	5,937,968	A	8/1999	Gibson et al.	
4,485,892	A	12/1984	Maloney et al.	D414,566	S	9/1999	Gibson et al.	
4,491,354	A	1/1985	Williams	5,954,157	A	9/1999	Grimes et al.	
4,494,626	A	1/1985	Ast	D414,879	S	10/1999	Meyers	
4,502,556	A	3/1985	Bartholet	5,967,260	A	10/1999	Spak	
4,502,564	A	3/1985	Kuemmerlin et al.	5,971,102	A	10/1999	Brown	
4,502,566	A	3/1985	Wing	D416,092	S	11/1999	Meyers	
4,560,030	A	12/1985	Mucelli	5,992,566	A	11/1999	Yeh	
4,566,150	A	1/1986	Boothe	5,992,567	A	11/1999	Chiu	
4,577,986	A	3/1986	Wang	6,000,497	A	12/1999	Kain et al.	
4,602,889	A	7/1986	Mu-Shan	6,012,548	A	1/2000	Kim	
4,645,371	A *	2/1987	Wang	6,024,412	A	2/2000	Kain et al.	
			E06C 1/32	6,026,933	A	2/2000	King et al.	
			16/332	6,039,149	A	3/2000	Bedja et al.	
4,666,327	A	5/1987	Su	D433,156	S	10/2000	Gibson et al.	
4,666,328	A *	5/1987	Ryu	6,142,255	A	11/2000	Plotner et al.	
			E06C 1/32	D434,855	S	12/2000	Ullum et al.	
			16/329	6,158,749	A	12/2000	Roudebush	
4,697,305	A	10/1987	Boothe	D444,574	S	7/2001	Gibson et al.	
4,715,297	A	12/1987	Lichter	D447,572	S	9/2001	Rosko	
4,723,631	A	2/1988	Tremblay	D447,817	S	9/2001	Rosko	
4,770,559	A	9/1988	Yoo	D449,385	S	10/2001	Rosko	
4,773,503	A	9/1988	Purpkapile	6,330,733	B1 *	12/2001	Rauschenberger	E06C 1/32
4,793,163	A	12/1988	Macfarlane et al.					16/324
4,824,278	A	4/1989	Chang	6,334,509	B1	1/2002	Ryszkiewicz	
4,834,216	A	5/1989	Wallick, Jr.	6,341,666	B1	1/2002	Allen	
4,859,109	A	8/1989	Targetti	6,343,406	B1 *	2/2002	Yeh	E05D 11/1007
4,890,950	A	1/1990	Yoo					16/328
4,925,329	A *	5/1990	Chuang	6,347,687	B1	2/2002	Alim	
			E06C 1/32	D455,842	S	4/2002	Rosko	
			16/332	6,390,237	B1	5/2002	Kim et al.	

(56)

References Cited

U.S. PATENT DOCUMENTS

6,390,238 B1 5/2002 Gibson et al.
 D458,385 S 6/2002 Rosko
 6,401,862 B1 6/2002 Caron
 D460,566 S 7/2002 Henschel et al.
 6,427,805 B1 8/2002 Gibson et al.
 6,443,260 B1 9/2002 Katz et al.
 6,443,261 B1 9/2002 Gibson et al.
 6,450,290 B1 9/2002 Spak
 6,454,050 B2 9/2002 Gibson et al.
 6,467,577 B1 10/2002 Charlebois
 D465,289 S 11/2002 Gibson et al.
 D466,225 S 11/2002 Rosko
 6,536,557 B2 3/2003 Gibson et al.
 6,550,579 B2 4/2003 Gibson et al.
 6,588,547 B2* 7/2003 Yeh E06C 1/32
 182/163
 6,622,340 B2 9/2003 Rosa
 6,688,797 B2* 2/2004 Park E06C 1/32
 403/84
 6,766,881 B2 7/2004 Carty
 6,769,515 B2 8/2004 Hillebrecht et al.
 6,840,583 B1 1/2005 Turner et al.
 6,854,803 B2 2/2005 Tomas et al.
 6,857,503 B2 2/2005 Simpson et al.
 6,886,659 B2 5/2005 Simpson
 6,902,035 B2 6/2005 Baumgartner et al.
 6,966,404 B2 11/2005 Meeker
 6,986,405 B2 1/2006 Meeker
 6,991,063 B2 1/2006 Latimer et al.
 7,007,771 B2 3/2006 Rawlings et al.
 7,093,321 B2 8/2006 Burbink et al.
 7,095,428 B2 8/2006 Harrison
 7,104,362 B2 9/2006 Meeker
 7,108,103 B2 9/2006 Meeker
 7,128,187 B2 10/2006 Simpson
 7,140,072 B2 11/2006 Leng
 7,159,694 B2 1/2007 Gibson
 7,182,176 B2 2/2007 Gibson et al.
 7,188,706 B2 3/2007 Simpson
 D548,364 S 8/2007 Skubic et al.
 D548,855 S 8/2007 Meyers
 7,264,082 B2 9/2007 Simpson et al.
 D553,370 S 10/2007 Meyers et al.
 D554,771 S 11/2007 Skubic et al.
 D558,473 S 1/2008 Mendenhall
 D562,991 S 2/2008 Meyers et al.
 D565,745 S 4/2008 Meyers et al.
 7,370,727 B2 5/2008 Meeker
 7,383,920 B2 6/2008 Meeker
 D576,290 S 9/2008 Meyers et al.
 7,516,817 B2 4/2009 Pate et al.
 7,648,108 B2 1/2010 Peterson
 7,861,826 B2 1/2011 Meyers et al.
 7,931,123 B2 4/2011 Moldthan et al.
 7,967,111 B2 6/2011 Meyers et al.
 8,002,084 B2 8/2011 Huang
 8,042,653 B2 10/2011 Grebinoski et al.
 8,146,710 B2 4/2012 Moldthan et al.
 8,186,481 B2 5/2012 Moss et al.
 8,186,550 B2 5/2012 Sampson
 8,210,313 B2 7/2012 Astor
 8,579,083 B2 11/2013 Astor
 8,661,991 B2 3/2014 Eveleth
 D710,031 S 7/2014 Simpson et al.
 8,869,937 B2 10/2014 Lampe et al.
 8,919,497 B2 12/2014 Rund
 8,997,931 B2 4/2015 Parker et al.
 9,016,434 B2 4/2015 Moss et al.
 9,163,455 B2 10/2015 Moss et al.
 D749,715 S 2/2016 Lammell
 9,380,760 B2 7/2016 Rorke et al.
 9,404,305 B1 8/2016 Messick
 9,416,591 B2 8/2016 Kiefler et al.
 9,422,767 B2 8/2016 Russell et al.
 D766,461 S 9/2016 Moss et al.

D766,462 S 9/2016 Moss et al.
 9,488,002 B2 11/2016 Parker et al.
 9,512,675 B1 12/2016 Fast
 2002/0017430 A1 2/2002 Rosko
 2002/0017431 A1 2/2002 Gibson et al.
 2002/0166727 A1 11/2002 Cramer et al.
 2003/0037412 A1* 2/2003 Lee E06C 1/32
 16/326
 2003/0146046 A1 8/2003 Simpson
 2003/0146047 A1 8/2003 Simpson
 2003/0217888 A1 11/2003 Simpson et al.
 2004/0000449 A1 1/2004 Meeker
 2004/0007424 A1 1/2004 Simpson
 2004/0140156 A1 7/2004 Moss et al.
 2004/0140409 A1 7/2004 Radda
 2005/0029043 A1 2/2005 Latimer et al.
 2005/0029050 A1 2/2005 Baumgartner et al.
 2005/0051386 A1 3/2005 Simpson
 2005/0056233 A1 3/2005 O'Leary et al.
 2005/0065029 A1 3/2005 Harrison et al.
 2005/0109558 A1 5/2005 Simpson et al.
 2005/0173194 A1 8/2005 Pate et al.
 2005/0274571 A1 12/2005 Simpson et al.
 2006/0070806 A1 4/2006 Simpson
 2006/0102425 A1 5/2006 Moldthan
 2006/0225961 A1 10/2006 Elliott
 2006/0266585 A1 11/2006 Simpson
 2007/0181367 A1 8/2007 Astor
 2007/0181368 A1 8/2007 Simpson
 2007/0284192 A1 12/2007 Meyers et al.
 2008/0006480 A1 1/2008 Simpson et al.
 2008/0053751 A1 3/2008 Meyers et al.
 2008/0142301 A1 6/2008 Meyers et al.
 2008/0251317 A1 10/2008 Johnson
 2008/0251319 A1 10/2008 Meyers et al.
 2008/0296447 A1 12/2008 Peterson
 2009/0078504 A1 3/2009 Astor
 2009/0179455 A1 7/2009 Ogden
 2009/0229918 A1 9/2009 Moss et al.
 2010/0101012 A1 4/2010 Sampson
 2010/0200334 A1 8/2010 Moldthan et al.
 2010/0236866 A1 9/2010 Huang
 2011/0011674 A1 1/2011 Kim
 2011/0024234 A1 2/2011 Lin
 2011/0056766 A1 3/2011 Maglieri et al.
 2011/0272923 A1 11/2011 Chen
 2012/0181109 A1 7/2012 Rund
 2012/0273304 A1 11/2012 Lampe et al.
 2014/0054112 A1 2/2014 Astor
 2014/0123910 A1 5/2014 Rorke et al.
 2014/0131138 A1 5/2014 Simpson et al.
 2014/0190768 A1 7/2014 Moss et al.
 2014/0224585 A1 8/2014 Russell
 2015/0074980 A1 3/2015 Wesgarth et al.
 2015/0159434 A1 6/2015 Leng
 2015/0211297 A1 7/2015 Parker et al.
 2015/0308190 A1 10/2015 Skubic et al.
 2016/0143444 A1 5/2016 Lan
 2016/0222730 A1 8/2016 Yeh
 2016/0348434 A1 12/2016 Williams et al.

FOREIGN PATENT DOCUMENTS

CA 2354696 A1 2/2002
 CA 2418581 8/2003
 CA 2381213 C 7/2004
 CA 2465252 A1 11/2004
 CA 2476584 3/2005
 CA 2341556 C 9/2005
 CA 2354996 C 10/2005
 CA 2466777 C 1/2008
 CA 2466856 C 4/2008
 CA 2881525 A1 9/2015
 CN 1601043 A 3/2005
 CN 102431801 A 5/2012
 CN 103485709 A 1/2014
 DE 189419 C 9/1906
 DE 3320315 A1 12/1984
 EP 0135666 A2 4/1985

(56)

References Cited

FOREIGN PATENT DOCUMENTS

EP	1388638	A1	2/2004
EP	1473432	A1	11/2004
EP	1375816	B1	1/2006
EP	1865143	A2	12/2007
EP	1561898	A3	5/2008
EP	2090740	A1	8/2009
FR	2554501	A1	5/1985
GB	2175948	A	12/1986
GB	2175948	B	10/1988
GB	2322897	A	9/1998
GB	2486938	B	9/2015
WO	WO2000042286		7/2000
WO	WO2000050725		8/2000
WO	WO2001012926		2/2001
WO	WO2016090041		6/2016

* cited by examiner

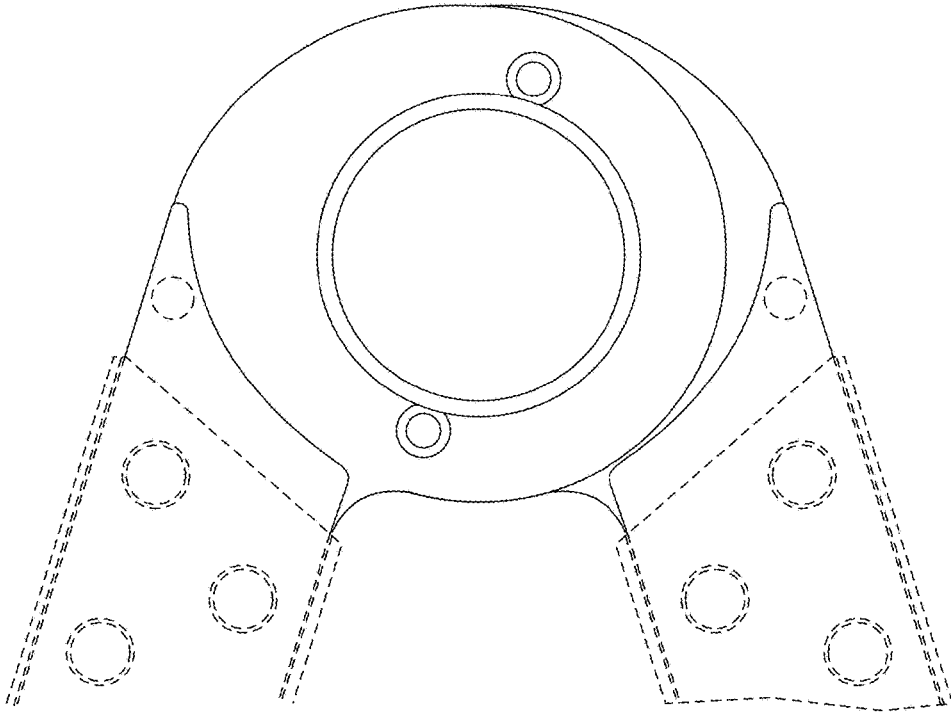


FIG. 1

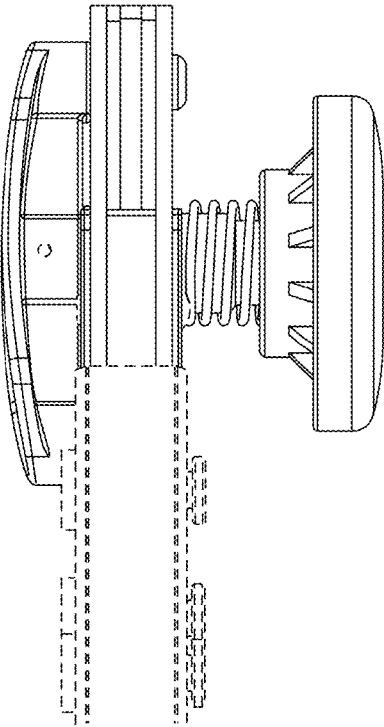


FIG. 2

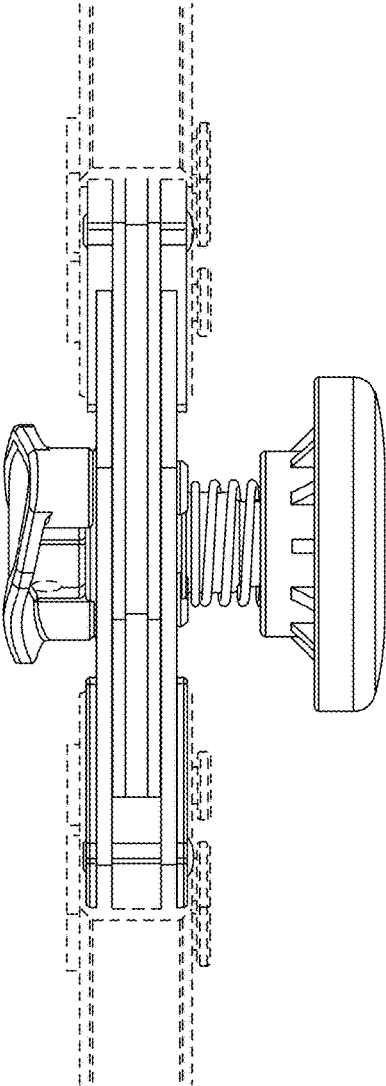


FIG. 3

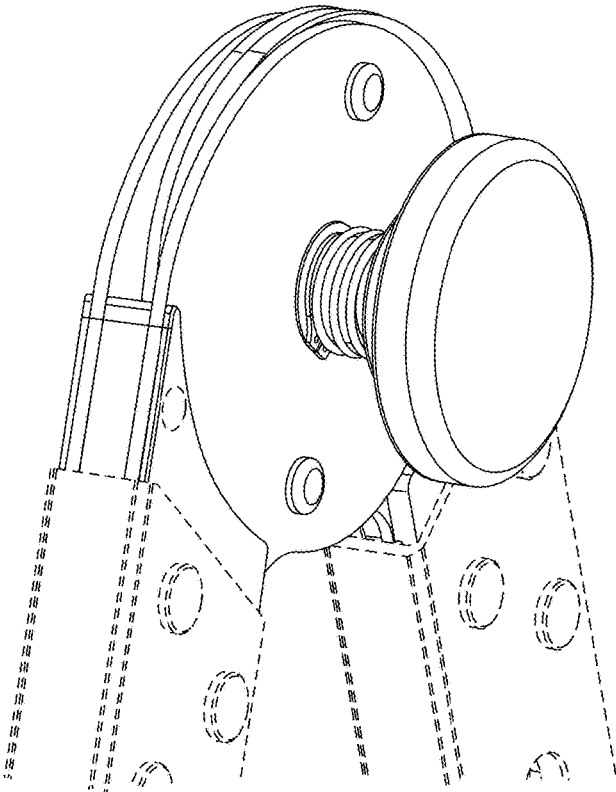


FIG. 4

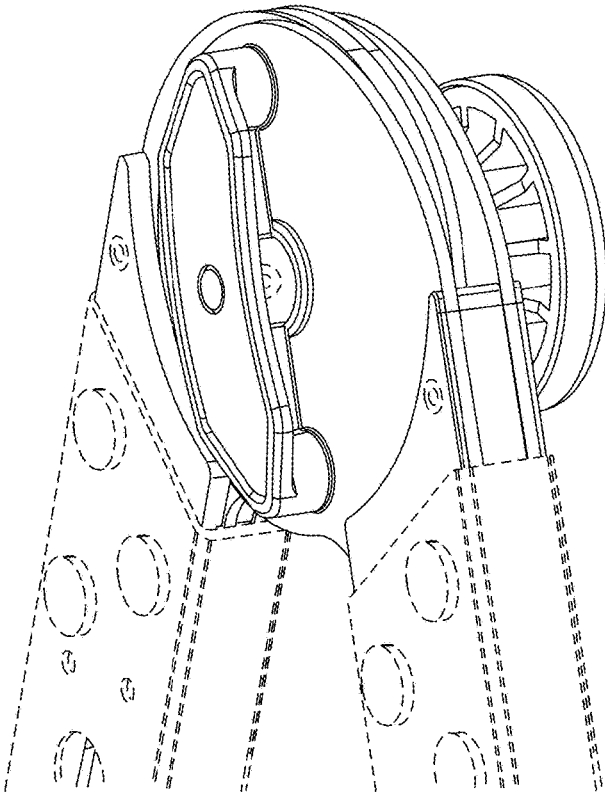


FIG. 5