

(19) World Intellectual Property Organization
International Bureau



(43) International Publication Date
8 April 2010 (08.04.2010)

PCT

(10) International Publication Number
WO 2010/039202 A2

- (51) **International Patent Classification:**
A61M 15/06 (2006.01) A61M 15/00 (2006.01)
- (21) **International Application Number:**
PCT/US2009/005338
- (22) **International Filing Date:**
25 September 2009 (25.09.2009)
- (25) **Filing Language:** English
- (26) **Publication Language:** English
- (30) **Priority Data:**
61/101,832 1 October 2008 (01.10.2008) US
- (71) **Applicant (for all designated States except US):** **ORIEL THERAPEUTICS, INC.** [US/US]; 630 Davis Drive, Suite 120, Durham, North Carolina 27713 (US).
- (72) **Inventors; and**
- (75) **Inventors/Applicants (for US only):** **LEWIS, Scott** [GB/GB]; 19 Geldart Street, Cambridge Cambridgeshire CB1 2LX (GB). **GOW, Andrew** [NZ/GB]; 48 Emmiskillen Road, Cambridge Cambs CB4 1SQ (GB). **TUCKWELL, Jon** [GB/GB]; 6 Ruston Gardens, London Greater London N14 4PF (GB). **BEARD, Greg** [US/US]; 108 Hartland Court, Raleigh, North Carolina 27614 (US).
- (74) **Agent:** **MYERS BIGEL SIBLEY & SAJOVEC, P.A.**; P.O. Box 37428, Raleigh, North Carolina 27627 (US).

(81) **Designated States (unless otherwise indicated, for every kind of national protection available):** AE, AG, AL, AM, AO, AT, AU, AZ, BA, BB, BG, BH, BR, BW, BY, BZ, CA, CH, CL, CN, CO, CR, CU, CZ, DE, DK, DM, DO, DZ, EC, EE, EG, ES, FI, GB, GD, GE, GH, GM, GT, HN, HR, HU, ID, IL, IN, IS, JP, KE, KG, KM, KN, KP, KR, KZ, LA, LC, LK, LR, LS, LT, LU, LY, MA, MD, ME, MG, MK, MN, MW, MX, MY, MZ, NA, NG, NI, NO, NZ, OM, PE, PG, PH, PL, PT, RO, RS, RU, SC, SD, SE, SG, SK, SL, SM, ST, SV, SY, TJ, TM, TN, TR, TT, TZ, UA, UG, US, UZ, VC, VN, ZA, ZM, ZW.

(84) **Designated States (unless otherwise indicated, for every kind of regional protection available):** ARIPO (BW, GH, GM, KE, LS, MW, MZ, NA, SD, SL, SZ, TZ, UG, ZM, ZW), Eurasian (AM, AZ, BY, KG, KZ, MD, RU, TJ, TM), European (AT, BE, BG, CH, CY, CZ, DE, DK, EE, ES, FI, FR, GB, GR, HR, HU, IE, IS, IT, LT, LU, LV, MC, MK, MT, NL, NO, PL, PT, RO, SE, SI, SK, SM, TR), OAPI (BF, BJ, CF, CG, CI, CM, GA, GN, GQ, GW, ML, MR, NE, SN, TD, TG).

Published:

— without international search report and to be republished upon receipt of that report (Rule 48.2(g))

(54) **Title:** DRY POWDER INHALERS WITH ROTATING PIERCING MECHANISMS AND RELATED DEVICES AND METHODS

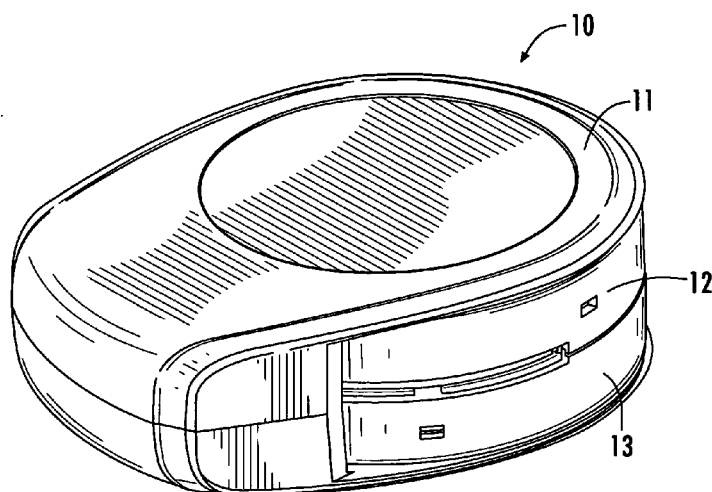


FIG. 1A

(57) **Abstract:** Dry powder inhalers with rotatable piercing mechanisms facilitate the use of dose container assemblies having dose containers arranged in concentric rows. A piercing mechanism is operably associated with the dose container assembly and is configured to pierce sealants that seal a dose container. The piercing mechanism is rotatable such that it can serially alternate between the two rows of dose containers. The piercing mechanism includes a rotatable drum, an elongate piercing member, and a biasing member operably associated with the piercing member. The rotatable drum has an open end, an opposite closed end, and a cylindrical wall that extends from the closed end and terminates at the open end. The closed end includes an aperture formed therein in a location adjacent to the wall. The elongate piercing member is extended and retracted through the aperture to pierce the sealants of a dose container.

WO 2010/039202 A2

DRY POWDER INHALERS WITH ROTATING PIERCING MECHANISMS AND RELATED DEVICES AND METHODS

RELATED APPLICATION

This application claims the benefit of and priority to U.S. Provisional Patent Application No. 61/101,832, filed October 1, 2008, the disclosure of which is incorporated herein by reference as if set forth in its entirety.

5

FIELD OF THE INVENTION

The present invention relates to inhalers, and may be particularly suitable for dry powder inhalers.

10

BACKGROUND

Dry powder inhalers (DPIs) are an alternative to pMDI (pressurized metered dose inhaler) devices for delivering drug aerosols without using propellants. Typically, DPIs are configured to deliver a powdered drug or drug mixture that includes an excipient and/or other ingredients. Generally described, known single and multiple dose dry powder DPI devices use: (a) individual pre-measured doses in blisters containing the drug, which can be inserted into the device prior to dispensing; or (b) bulk powder reservoirs which are configured to administer successive quantities of the drug to the patient via a dispensing chamber which dispenses the proper dose.

15

20

In operation, DPI devices strive to administer a uniform aerosol dispersion amount in a desired physical form of the dry powder (such as a particulate size or sizes) into a patient's airway and direct it to a desired internal deposit site(s).

25

There remains a need for alternative inhalers and/or dose containment devices that can be used to deliver medicaments.

SUMMARY

Embodiments of the present invention provide dry powder inhalers with rotatable piercing mechanisms that facilitate the use of dose rings or disks having dose containers arranged in concentric rows. According to some 5 embodiments, a dose container assembly includes a dose container disk having opposing upper and lower primary surfaces, a first row of circumferentially spaced apart dose containers at a first radius and a second row of circumferentially spaced apart dose containers at a second radius so that the 10 first and second rows are concentric with respect to a center of the disk. The dose containers have dry powder therein. A first flexible sealant resides over apertures in the upper surface, and a second flexible sealant resides over apertures in the lower surface to contain the powder within the dose containers.

A piercing mechanism is operably associated with the dose 15 container assembly and is configured to pierce the first and second sealants that seal a dose container. The piercing mechanism is rotatable such that it can serially alternate between the two rows of dose containers in the dose container disk. The piercing mechanism includes a rotatable drum, an elongate piercing member, and a biasing member operably associated with the piercing member. 20 The rotatable drum has an open end, an opposite closed end, and a cylindrical wall that extends from the closed end and terminates at the open end. The closed end includes an aperture formed therein in a location adjacent to the wall. The elongate piercing member is extended and retracted through the aperture to pierce the first and second sealants of a dose container. In some embodiments, 25 gear teeth extend circumferentially around the wall adjacent the open end. However, the gear teeth may be positioned at other locations and may have other configurations. A support member extends outwardly from the closed end, and is configured to support the piercing member for reciprocal movement

The elongate piercing member includes a distal piercing portion 30 and a proximal head portion. In some embodiments, the distal piercing portion can be a solid piercer configured to pierce the sealants. In some embodiments, the distal piercing portion can be a corkscrew piercer configured to pierce the sealants with a straight vertical non-rotational movement. In some embodiments, the distal piercing portion can have a fluted piercer configured to pierce the

sealants.

The elongate piercing member is movably associated with the support member in the drum so as to be capable of reciprocal movement between piercing and non-piercing positions. In the piercing position, the piercing member distal piercing portion extends through the drum aperture and through the first and second sealants of a dose container. In a retracted position, the distal piercing portion is retracted above a lower surface of the drum aperture, such that the drum is free to rotate. A biasing member is configured to urge the piercing member toward retracted positions.

A ring gear is rotatably secured within the inhaler housing, and includes multiple sets of teeth that are circumferentially spaced-apart from each other along a perimeter, thereof. The ring gear includes a plurality of spaced-apart steps. Each step is configured to be engaged by a pawl associated with an actuator of the inhaler. The piercing mechanism is positioned relative to the ring gear such that the drum gear teeth cooperate with the sets of teeth on the ring gear outer perimeter. Rotation of the ring gear by a predetermined amount, when a set of teeth are engaged with the drum gear teeth, causes the drum to rotate such that the piercing member moves from a position overlying a dose container in one row to a position overlying a dose container in the other row.

The dose container assembly includes gear teeth on an outer or inner perimeter thereof. Diametrically opposed teeth extend outwardly from the drum wall and are configured to engage the dose container assembly gear teeth. Rotation of the drum via the ring gear, in turn, causes rotation of the dose container assembly to move a fresh dose container into position beneath the piercing mechanism.

In some embodiments, the inhaler includes a user-accessible actuator that is movable between first and second positions. When moved from the first position to the second position, the actuator causes the piercing member to open a dose container in a row by piercing the first and second sealants associated therewith. When moved from the second position back to the first position, a pawl associated with the actuator engages a step on the inner perimeter of the ring gear, and causes rotation of the ring gear which causes rotation of the drum by an amount sufficient to position the piercing mechanism above a dose container in the other row on the disk. In addition, one of the

diametrically opposed teeth extending from the drum engages a mating tooth on the dose container assembly and rotates the dose container assembly a predetermined amount such that a fresh dose container is positioned under the piercing member, and the inhaler is ready for another cycle.

5 In other embodiments, the actuator includes a pair of ramps positioned in adjacent, spaced-apart relationship, and the piercing mechanism includes a pair of arms extending outwardly therefrom in opposing relationship. Each ramp includes a first leg attached to an actuator surface and a second leg having a free end adjacent to the actuator surface. When moved from the first
10 position to the second position, the actuator causes rotation of the ring gear by a predetermined amount. During a first stage of the rotation, a first set of ring gear teeth cooperates with the drum gear teeth and rotates the drum such that the piercing member overlies a dose container. During a second stage of the rotation, each arm is contacted by a respective ramp second leg to urge the
15 piercing member to the piercing position. During the third stage of the rotation, each arm disengages from a respective ramp and the piercing member is urged to a partially retracted position by a biasing member. When the actuator is moved from the second position to the first position, the second leg of each ramp deflects such that a respective arm passes between the free end and the
20 actuator surface.

 According to some embodiments of the present invention, operations that can be used to operate an inhaler include providing a dose container disk having opposing upper and lower primary surfaces, a first row of circumferentially spaced apart dose containers at a first radius and a second row
25 of circumferentially spaced apart dose containers at a second radius so that the first and second rows are concentric with respect to a center of the disk. The dose containers have dry powder therein, and each dose container terminates at a respective aperture in the upper surface and at a respective aperture in the lower surface. A first flexible sealant resides over the apertures in the upper
30 surface, and a second flexible sealant resides over the apertures in the lower surface. A rotatable piercing mechanism is advanced to open both sealants and release dry powder from a dose container in one of the rows. The piercing mechanism is then retracted from the dose container and rotated to a position above a dose container in the other row.

In other embodiments, operations can be reversed. In other words, the rotatable piercing mechanism can be rotated into position above a dose container in a row first, followed by advancing the piercing mechanism to open both sealants and release dry powder from the dose container. As such, inhalers, according to some embodiments of the present invention, can have piercing mechanisms configured to "pierce then rotate and index" and, in other embodiments, piercing mechanisms configured to "rotate and index then pierce."

A dry powder inhaler, according to other embodiments of the present invention, includes a housing, a dose container assembly rotatably secured within the housing, and a piercing mechanism. The dose container assembly includes a dose container disk having opposing upper and lower primary surfaces, a first row of circumferentially spaced apart dose containers at a first radius and a second row of circumferentially spaced apart dose containers at a second radius so that the first and second rows are concentric with respect to a center of the disk. Each dose container terminates at a respective aperture in the upper surface and at a respective aperture in the lower surface. A first flexible sealant resides over the apertures in the upper surface, and a second flexible sealant resides over the apertures in the lower surface. The dose containers have dry powder therein.

The piercing mechanism is operably associated with the dose container assembly and is configured to pierce the first and second sealants residing over respective dose container apertures. The piercing mechanism is configured to serially alternate between rows to pierce the sealants over and under a dose container in a first row of dose container apertures, then pierce the sealants over and under a dose container in a second row of dose container apertures. In some embodiments, the piercing mechanism includes a rotatable drum having an open end, an opposite closed end, and a cylindrical wall extending from the closed end and terminating at the open end; an elongate piercing member capable of reciprocal movement between piercing and non-piercing positions; and a biasing member configured to urge the piercing member toward a retracted position. The drum closed end includes an aperture formed therein. Gear teeth extend circumferentially around the wall adjacent the drum open end. The piercing member includes a distal piercing portion and a proximal head portion. The distal piercing portion extends through the drum

aperture and through the first and second sealants when the piercing member is in a piercing position. The distal piercing portion is retracted above a lower surface of the drum aperture when in a retracted position.

5 A ring gear is rotatably secured within the housing and includes a plurality of sets of teeth that are circumferentially spaced-apart from each other. An actuator that is movable by a user of the inhaler between first and second positions is configured to cause rotation of the ring gear by a predetermined amount. During a first stage of the ring gear rotation via the actuator, a first set of ring gear teeth cooperates with the drum gear teeth and rotates the drum such
10 that the piercing member overlies a dose container. During a second stage of the ring gear rotation via the actuator, the piercing member is moved to the piercing position. During a third stage of the ring gear rotation via the actuator, the piercing member is moved to the retracted position. During a fourth stage of the ring gear rotation via the actuator, a second set of ring gear teeth cooperates
15 with the drum gear teeth and rotates the drum such that the piercing member does not overlie a dose container.

In some embodiments, the actuator includes a ramp, and the piercing member includes an arm extending outwardly therefrom. During the second stage of the ring gear rotation, the arm is contacted by the ramp to urge
20 the piercing member to the piercing position. During the third stage of the rotation, the arm disengages from the ramp and the piercing member is urged to the retracted position by the biasing member.

In some embodiments, a pair of arms extend outwardly from the piercing member in opposing relationship. The ramp includes spaced-apart first
25 and second inclined portions. Each arm is configured to engage a respective inclined portion during the second stage of rotation of the ring gear. As such, during the second stage of the ring gear rotation, each arm is contacted by a respective inclined portion to urge the piercing member to the piercing position.

It is noted that aspects of the invention described with respect to
30 one embodiment may be incorporated in a different embodiment although not specifically described relative thereto. That is, all embodiments and/or features of any embodiment can be combined in any way and/or combination. Applicant reserves the right to change any originally filed claim or file any new claim accordingly, including the right to be able to amend any originally filed claim to

depend from and/or incorporate any feature of any other claim although not originally claimed in that manner. These and other objects and/or aspects of the present invention are explained in detail in the specification set forth below.

5 BRIEF DESCRIPTION OF THE DRAWINGS

Fig. 1A is a front perspective view of an inhaler with a cover, according to some embodiments of the present invention, and where the cover is in a closed position.

10 **Fig. 1B** is a front perspective view of the inhaler of **Fig. 1A** with the cover moved to an open or operational position.

Fig. 1C is a front perspective view of the inhaler of **Fig. 1B** illustrating the user-accessible actuator lever moved to a second position.

Fig. 2A is a top perspective view of a dose container assembly according to some embodiments of the present invention.

15 **Fig. 2B** is an exploded view of the assembly shown in **Fig. 2A**.

Fig. 2C is a partial cutaway view of airway channels aligned with two dose containers according to some embodiments of the present invention.

Fig. 2D is a top perspective view of another exemplary dose container assembly according to some embodiments of the present invention.

20 **Fig. 2E** is an exploded view of the dose container assembly shown in **Fig. 2D** according to embodiments of the present invention.

Fig. 3A is a top perspective view of a dose container ring according to some embodiments of the present invention.

25 **Fig. 3B** is a top perspective view of a dose container ring according to some other embodiments of the present invention.

Fig. 3C is a partial cutaway view of a single dose container according to some embodiments of the present invention.

Fig. 3D is a partial cutaway view of a single dose container according to some embodiments of the present invention.

30 **Fig. 4A** is a greatly enlarged top perspective view of a lower airway disk according to some embodiments of the present invention.

Fig. 4B is a top view of a lower airway disk according to some embodiments of the present invention.

Fig. 4C is a bottom view of the lower airway disk shown in **Fig. 4B**.

Fig. 5A is a greatly enlarged top perspective view of an upper airway disk according to some embodiments of the present invention.

Fig. 5B is a greatly enlarged perspective view of an upper airway disk according to other embodiments of the present invention.

5 **Fig. 6** is a greatly enlarged partial view of the dose container assembly shown in **Fig. 2A** according to embodiments of the present invention.

Figs. 7A-7C are partial cutaway views of a dose container assembly in an inhaler cooperating with a piercing mechanism having a three-stage operation sequence according to some embodiments of the present
10 invention.

Fig. 8A is a top view of a dose container ring according to some embodiments of the present invention.

Fig. 8B is a partial enlarged fragmentary view of the ring shown in **Fig. 8A**.

15 **Fig. 9** is a side view of the ring shown in **Fig. 8A**.

Fig. 10A is a greatly enlarged partial cutaway view of an inhaler with discrete airway channels for each dose container and a long airway path according to some embodiments of the present invention.

Figs. 10B-10D are greatly enlarged partial cutaway side perspective views of an inhaler with a biasing mechanism according to
20 embodiments of the present invention.

Fig. 10E is a greatly enlarged cutaway view of an airflow path in an inhaler and secure joint provided by the mechanism in **Figs. 10B-10D** according to embodiments of the present invention.

25 **Fig. 11** is a cutaway, partial perspective view of an inhaler having a rotatable piercing mechanism, according to some embodiments of the present invention.

Fig. 12A is a top perspective view of a rotatable drum for the piercing mechanism of **Fig. 11**.

30 **Fig. 12B** is a bottom perspective view of the rotatable drum for the piercing mechanism of **Fig. 11**.

Figs. 13A-13I are various views of the piercing mechanism of **Fig. 11** that illustrate an exemplary sequence of operations for the rotatable piercing mechanism, according to some embodiments of the present invention.

Fig. 14A is an enlarged partial section view of a piercing member according to some embodiments of the present invention.

Fig. 14B is an enlarged partial section view of a piercing member similar to that shown in **Fig. 14A**, according to some embodiments of the present invention.

Fig. 14C is a partial front schematic view of a piercing member with a fluted configuration, according to some embodiments of the present invention.

Fig. 14D is an end view of the device shown in **Fig. 14C**.

Fig. 14E is a partial front schematic view of another fluted piercer configuration according to some embodiments of the present invention.

Fig. 14F is an end view of an exemplary four lobe fluted piercer configuration, according to some embodiments of the present invention.

Fig. 15 is a flow chart of exemplary operations that can be used to operate an inhaler according to some embodiments of the present invention.

Fig. 16 is a bottom perspective view of the rotatable drum for a piercing mechanism, according to embodiments of the present invention.

Fig. 17 is an enlarged partial section view of an inhaler having generally "U" shaped inhalation flow paths for each dose according to embodiments of the present invention.

Figs. 18A-18G are cutaway, top perspective views of an inhaler having a rotatable piercing mechanism and illustrate an exemplary sequence of operations for a rotatable piercing mechanism, according to some embodiments of the present invention.

Fig. 19A is a cutaway, top perspective view of an inhaler having a rotatable piercing mechanism, according to some embodiments of the present invention.

Fig. 19B is a bottom perspective view of the inhaler of **Fig. 19A**.

Figs. 20 and **21A** are top perspective views of the inhaler of **Fig. 19A** illustrating the actuator during movement from a first position to a second position and illustrating a first stage of rotation of the ring gear, according to some embodiments of the present invention.

Fig. 21B is a bottom perspective view of the inhaler of **Fig. 21A**.

Fig. 22 is a top perspective view of the inhaler of **Fig. 19A** illustrating a second stage of rotation of the ring gear as the actuator is moved

from the first position to the second position and illustrating the piercing member in an extended piercing position, according to some embodiments of the present invention.

Fig. 23A is a top perspective view of the inhaler of **Fig. 19A**
5 illustrating a third stage of rotation of the ring gear as the actuator is moved from the first position to the second position and illustrating the piercing member in a partially retracted position.

Fig. 23B is a bottom perspective view of the inhaler of **Fig. 23A**.

Fig. 24A is a top perspective view of the inhaler of **Fig. 19A**
10 illustrating the piercing mechanism arms sliding between the ramp first legs as the actuator is moved from the second position back to the first position, according to some embodiments of the present invention.

Fig. 24B is a bottom perspective view of the inhaler of **Fig. 24A**.

Fig. 25 is a bottom perspective view of the inhaler of **Fig. 19A**
15 illustrating the piercing mechanism arms about to deflect the ramp second legs as the actuator is moved from the second position back to the first position, according to some embodiments of the present invention.

Fig. 26A is a top perspective view of the inhaler of **Fig. 19A**
illustrating a position of the piercing mechanism after the piercing mechanism
20 arms have passed between the ramp second legs and an actuator surface as the actuator is moved from the second position back to the first position, according to some embodiments of the present invention.

Fig. 26B is a bottom perspective view of the inhaler of **Fig. 26A**.

25 DETAILED DESCRIPTION

The present invention will now be described more fully hereinafter with reference to the accompanying figures, in which embodiments of the invention are shown. This invention may, however, be embodied in many different forms and should not be construed as limited to the embodiments set
30 forth herein. Like numbers refer to like elements throughout. In the figures, certain layers, components or features may be exaggerated for clarity, and broken lines illustrate optional features or operations unless specified otherwise. In addition, the sequence of operations (or steps) is not limited to the order presented in the figures and/or claims unless specifically indicated otherwise.

Features described with respect to one figure or embodiment can be associated with another embodiment of figure although not specifically described or shown as such.

It will be understood that when a feature, such as a layer, region or substrate, is referred to as being "on" another feature or element, it can be directly on the other feature or element or intervening features and/or elements may also be present. In contrast, when an element is referred to as being "directly on" another feature or element, there are no intervening elements present. It will also be understood that, when a feature or element is referred to as being "connected", "attached" or "coupled" to another feature or element, it can be directly connected, attached or coupled to the other element or intervening elements may be present. In contrast, when a feature or element is referred to as being "directly connected", "directly attached" or "directly coupled" to another element, there are no intervening elements present. Although described or shown with respect to one embodiment, the features so described or shown can apply to other embodiments.

The terminology used herein is for the purpose of describing particular embodiments only and is not intended to be limiting of the invention. As used herein, the singular forms "a", "an" and "the" are intended to include the plural forms as well, unless the context clearly indicates otherwise. It will be further understood that the terms "comprises" and/or "comprising," when used in this specification, specify the presence of stated features, steps, operations, elements, and/or components, but do not preclude the presence or addition of one or more other features, steps, operations, elements, components, and/or groups thereof. As used herein, the term "and/or" includes any and all combinations of one or more of the associated listed items.

Spatially relative terms, such as "under", "below", "lower", "over", "upper" and the like, may be used herein for ease of description to describe one element or feature's relationship to another element(s) or feature(s) as illustrated in the figures. It will be understood that the spatially relative terms are intended to encompass different orientations of the device in use or operation in addition to the orientation depicted in the figures. For example, if a device in the figures is inverted, elements described as "under" or "beneath" other elements or features would then be oriented "over" the other elements or features. Thus, the

exemplary term "under" can encompass both an orientation of over and under. The device may be otherwise oriented (rotated 90 degrees or at other orientations) and the spatially relative descriptors used herein interpreted accordingly. Similarly, the terms "upwardly", "downwardly", "vertical", "horizontal" and the like are used herein for the purpose of explanation only unless specifically indicated otherwise.

It will be understood that although the terms first and second are used herein to describe various regions, layers and/or sections, these regions, layers and/or sections should not be limited by these terms. These terms are only used to distinguish one region, layer or section from another region, layer or section. Thus, a first region, layer or section discussed below could be termed a second region, layer or section, and similarly, a second region, layer or section discussed below could be termed a first region, layer or section without departing from the teachings of the present invention. Like numbers refer to like elements throughout.

Unless otherwise defined, all terms (including technical and scientific terms) used herein have the same meaning as commonly understood by one of ordinary skill in the art to which this invention belongs. It will be further understood that terms, such as those defined in commonly used dictionaries, should be interpreted as having a meaning that is consistent with their meaning in the context of the specification and relevant art and should not be interpreted in an idealized or overly formal sense unless expressly so defined herein. Well-known functions or constructions may not be described in detail for brevity and/or clarity.

In the description of the present invention that follows, certain terms are employed to refer to the positional relationship of certain structures relative to other structures. As used herein, the term "front" or "forward" and derivatives thereof refer to the general or primary direction that the dry powder travels to be dispensed to a patient from a dry powder inhaler; this term is intended to be synonymous with the term "downstream," which is often used in manufacturing or material flow environments to indicate that certain material traveling or being acted upon is farther along in that process than other material. Conversely, the terms "rearward" and "upstream" and derivatives thereof refer to the direction opposite, respectively, the forward or downstream direction.

The term "deagglomeration" and its derivatives refer to processing dry powder in the inhaler airflow path to inhibit the dry powder from remaining or becoming agglomerated or cohesive during inspiration.

5 The inhalers and methods of the present invention may be particularly suitable for holding a partial or bolus dose or doses of one or more types of particulate dry powder substances that are formulated for *in vivo* inhalant dispersion (using an inhaler) to subjects, including, but not limited to, animal and, typically, human subjects. The inhalers can be used for nasal and/or oral (mouth) respiratory inhalation delivery, but are typically oral inhalers.

10 The terms "sealant", "sealant layer" and/or "sealant material" includes configurations that have at least one layer of at least one material and can be provided as a continuous layer that covers the entire upper surface and/or lower surface or may be provided as strips or pieces to cover portions of the device, *e.g.*, to reside over at least a target one or more of the dose
15 container apertures. Thus, terms "sealant" and "sealant layer" includes single and multiple layer materials, typically comprising at least one foil layer. The sealant or sealant layer can be a thin multi-layer laminated sealant material with elastomeric and foil materials. The sealant layer can be selected to provide drug stability as they may contact the dry powder in the respective dose containers.

20 The sealed dose containers can be configured to inhibit oxygen and moisture penetration to provide a sufficient shelf life.

The term "primary surface" refers to a surface that has a greater area than another surface and the primary surface can be substantially planar or may be otherwise configured. For example, a primary surface can include
25 protrusions or recessions, such as where some blister configurations are used. Thus, a disk can have upper and lower primary surfaces and a minor surface (*e.g.*, a wall with a thickness) that extends between and connects the two.

The dry powder substance may include one or more active pharmaceutical constituents as well as biocompatible additives that form the
30 desired formulation or blend. As used herein, the term "dry powder" is used interchangeably with "dry powder formulation" and means that the dry powder can comprise one or a plurality of constituents or ingredients with one or a plurality of (average) particulate size ranges. The term "low-density" dry powder means dry powders having a density of about 0.8 g/cm³ or less. In particular

embodiments, the low-density powder may have a density of about 0.5 g/cm³ or less. The dry powder may be a dry powder with cohesive or agglomeration tendencies.

The term "filling" means providing a bolus or sub-bolus metered
5 amount of dry powder. Thus, the respective dose container is not required to be volumetrically full.

In any event, individual dispensable quantities of dry powder formulations can comprise a single ingredient or a plurality of ingredients, whether active or inactive. The inactive ingredients can include additives added
10 to enhance flowability or to facilitate aerosolization delivery to the desired target. The dry powder drug formulations can include active particulate sizes that vary. The device may be particularly suitable for dry powder formulations having particulates which are in the range of between about 0.5-50µm, typically in the range of between about 0.5µm -20.0µm, and more typically in the range of
15 between about 0.5µm -8.0µm. The dry powder formulation can also include flow-enhancing ingredients, which typically have particulate sizes that may be larger than the active ingredient particulate sizes. In certain embodiments, the flow-enhancing ingredients can include excipients having particulate sizes on the order of about 50-100µm. Examples of excipients include lactose and trehalose.
20 Other types of excipients can also be employed, such as, but not limited to, sugars which are approved by the United States Food and Drug Administration ("FDA") as cryoprotectants (e.g., mannitol) or as solubility enhancers (e.g., cyclodextrine) or other generally recognized as safe ("GRAS") excipients.

"Active agent" or "active ingredient" as described herein includes
25 an ingredient, agent, drug, compound, or composition of matter or mixture, which provides some pharmacologic, often beneficial, effect. This includes foods, food supplements, nutrients, drugs, vaccines, vitamins, and other beneficial agents. As used herein, the terms further include any physiologically or pharmacologically active substance that produces a localized and/or systemic
30 effect in a patient.

The active ingredient or agent that can be delivered includes antibiotics, antiviral agents, anepileptics, analgesics, anti-inflammatory agents and bronchodilators, and may be inorganic and/or organic compounds, including, without limitation, drugs which act on the peripheral nerves, adrenergic

receptors, cholinergic receptors, the skeletal muscles, the cardiovascular system, smooth muscles, the blood circulatory system, synaptic sites, neuroeffector junctional sites, endocrine and hormone systems, the immunological system, the reproductive system, the skeletal system, autacoid systems, the alimentary and excretory systems, the histamine system, and the central nervous system. Suitable agents may be selected from, for example and without limitation, polysaccharides, steroids, hypnotics and sedatives, psychic energizers, tranquilizers, anticonvulsants, muscle relaxants, anti-Parkinson agents, analgesics, anti-inflammatories, muscle contractants, antimicrobials, antimalarials, hormonal agents including contraceptives, sympathomimetics, polypeptides and/or proteins (capable of eliciting physiological effects), diuretics, lipid regulating agents, antiandrogenic agents, antiparasitics, neoplastics, antineoplastics, hypoglycemics, nutritional agents and supplements, growth supplements, fats, antienteritis agents, electrolytes, vaccines and diagnostic agents.

The active agents may be naturally occurring molecules or they may be recombinantly produced, or they may be analogs of the naturally occurring or recombinantly produced active agents with one or more amino acids added or deleted. Further, the active agent may comprise live attenuated or killed viruses suitable for use as vaccines. Where the active agent is insulin, the term "insulin" includes natural extracted human insulin, recombinantly produced human insulin, insulin extracted from bovine and/or porcine and/or other sources, recombinantly produced porcine, bovine or other suitable donor/extraction insulin and mixtures of any of the above. The insulin may be neat (that is, in its substantially purified form), but may also include excipients as commercially formulated. Also included in the term "insulin" are insulin analogs where one or more of the amino acids of the naturally occurring or recombinantly produced insulin has been deleted or added.

It is to be understood that more than one active ingredient or agent may be incorporated into the aerosolized active agent formulation and that the use of the term "agent" or "ingredient" in no way excludes the use of two or more such agents. Indeed, some embodiments of the present invention contemplate administering combination drugs that may be mixed *in situ*.

Examples of diseases, conditions or disorders that may be treated

according to embodiments of the invention include, but are not limited to, asthma, COPD (chronic obstructive pulmonary disease), viral or bacterial infections, influenza, allergies, cystic fibrosis, and other respiratory ailments as well as diabetes and other insulin resistance disorders. The dry powder

5 inhalation may be used to deliver locally-acting agents such as antimicrobials, protease inhibitors, and nucleic acids/oligonucleotides as well as systemic agents such as peptides like leuprolide and proteins such as insulin. For example, inhaler-based delivery of antimicrobial agents such as antitubercular compounds, proteins such as insulin for diabetes therapy or other insulin-

10 resistance related disorders, peptides such as leuprolide acetate for treatment of prostate cancer and/or endometriosis and nucleic acids or oligonucleotides for cystic fibrosis gene therapy may be performed. See *e.g.* Wolff et al., *Generation of Aerosolized Drugs*, J. Aerosol. Med. pp. 89-106 (1994). See also U.S. Patent Application Publication No. 20010053761, entitled *Method for Administering*

15 *ASPB28-Human Insulin* and U.S. Patent Application Publication No. 20010007853, entitled *Method for Administering Monomeric Insulin Analogs*, the contents of which are hereby incorporated by reference as if recited in full herein.

Typical dose amounts of the unitized dry powder mixture dispersed in the inhalers may vary depending on the patient size, the systemic target, and

20 the particular drug(s). The dose amounts and type of drug held by a dose container system may vary per dose container or may be the same. In some embodiments, the dry powder dose amounts can be about 100 mg or less, typically less than 50 mg, and more typically between about 0.1 mg to about 30 mg.

25 In some embodiments, such as for pulmonary conditions (*i.e.*, asthma or COPD), the dry powder can be provided as about 5 mg total weight (the dose amount may be blended to provide this weight). A conventional exemplary dry powder dose amount for an average adult is less than about 50 mg, typically between about 10-30 mg and for an average adolescent pediatric

30 subject is typically from about 5-10 mg. A typical dose concentration may be between about 1-5%. Exemplary dry powder drugs include, but are not limited to, albuterol, fluticasone, beclamethasone, cromolyn, terbutaline, fenoterol, β -agonists (including long-acting β -agonists), salmeterol, formoterol, cortico-

steroids and glucocorticoids.

In certain embodiments, the administered bolus or dose can be formulated with an increase in concentration (an increased percentage of active constituents) over conventional blends. Further, the dry powder formulations
5 may be configured as a smaller administrable dose compared to the conventional 10-25 mg doses. For example, each administrable dry powder dose may be on the order of less than about 60-70% of that of conventional doses. In certain particular embodiments, using the dispersal systems provided by certain
10 embodiments of the DPI configurations of the instant invention, the adult dose may be reduced to under about 15 mg, such as between about 10 μ g-10mg, and more typically between about 50 μ g-10mg. The active constituent(s) concentration may be between about 5-10%. In other embodiments, active constituent concentrations can be in the range of between about 10-20%, 20-25%, or even larger. In particular embodiments, such as for nasal inhalation,
15 target dose amounts may be between about 12-100 μ g.

In certain particular embodiments, during inhalation, the dry powder in a particular drug compartment or blister may be formulated in high concentrations of an active pharmaceutical constituent(s) substantially without additives (such as excipients). As used herein, "substantially without additives"
20 means that the dry powder is in a substantially pure active formulation with only minimal amounts of other non-biopharmacological active ingredients. The term "minimal amounts" means that the non-active ingredients may be present, but are present in greatly reduced amounts, relative to the active ingredient(s), such that they comprise less than about 10%, and preferably less than about 5%, of
25 the dispensed dry powder formulation, and, in certain embodiments, the non-active ingredients are present in only trace amounts.

In some embodiments, the unit dose amount of dry powder held in a respective drug compartment or dose container is less than about 10 mg, typically about 5 mg of blended drug and lactose or other additive (*e.g.*, 5 mg
30 LAC), for treating pulmonary conditions such as asthma. Insulin may be provided in quantities of about 4 mg or less, typically about 3.6 mg of pure insulin. The dry powder may be inserted into a dose container/drug compartment in a "compressed" or partially compressed manner or may be provided as free flowing particulates.

Some embodiments of the invention are directed to inhalers that can deliver multiple different drugs for combination delivery. Thus, for example, in some embodiments, some or all of the dose containers may include two different drugs or different dose containers may contain different drugs
5 configured for dispensing substantially concurrently.

The inhalers can be configured to provide any suitable number of doses, typically between about 30 - 120 doses, and more typically between about 30-60 doses. The inhalers can deliver one drug or a combination of drugs. In some embodiments, the inhalers can provide between about 30-60 doses of
10 two different drugs (in the same or different unit amounts), for a total of between about 60-120 individual unit doses, respectively. The inhaler can provide between a 30 day to a 60 day (or even greater) supply of medicine. In some embodiments, the inhalers can be configured to hold about 60 doses of the same drug or drug combination, in the same or different unit amounts, which can
15 be a 30 day supply (for a twice per day dosing) or a 60 day supply for single daily treatments.

Certain embodiments may be particularly suitable for dispensing medication to respiratory patients, diabetic patients, cystic fibrosis patients, or for treating pain. The inhalers may also be used to dispense narcotics, hormones
20 and/or infertility treatments.

The dose container assembly and inhaler may be particularly suitable for dispensing medicament for the treatment of respiratory disorders. Appropriate medicaments may be selected from, for example, analgesics, e.g., codeine, dihydromorphine, ergotamine, fentanyl or morphine; anginal
25 preparations, e.g., diltiazem; antiallergics, e.g., cromoglycate, ketotifen or nedocromil; antiinfectives e.g., cephalosporins, penicillins, streptomycin, sulphonomides, tetracyclines and pentamidine; antihistamines, e.g., methapyrilene; anti-inflammatories, e.g., beclomethasone dipropionate, fluticasone propionate, flunisolide, budesonide, rofleponide, mometasone furoate
30 or triamcinolone acetonide; antitussives, e.g., noscapiene; bronchodilators, e.g., albuterol, salmeterol, ephedrine, adrenaline, fenoterol, formoterol, isoprenaline, metaproterenol, phenylephrine, phenylpropanolamine, pirbuterol, reproterol, rimiterol, terbutaline, isoetharine, tulobuterol, or (-)-4-amino-3, 5-dichloro- α -[[6-[2-(2-pyridinyl) ethoxy] hexyl] methyl] benzenemethanol; diuretics, e.g.,

amiloride; anticholinergics, e.g., ipratropium, tiotropium, atropine or oxitropium; hormones, e.g., cortisone, hydrocortisone or prednisolone; xanthines, e.g., aminophylline, choline theophyllinate, lysine theophyllinate or theophylline; therapeutic proteins and peptides, e.g., insulin or glucagon. It will be clear to a person of skill in the art that, where appropriate, the medicaments may be used in the form of salts, (e.g., as alkali metal or amine salts or as acid addition salts) or as esters (e.g., lower alkyl esters) or as solvates (e.g., hydrates) to optimize the activity and/or stability of the medicament.

Some particular embodiments of the dose container assembly and/or inhaler include medicaments that are selected from the group consisting of: albuterol, salmeterol, fluticasone propionate and beclometasone dipropionate and salts or solvates thereof, e.g., the sulphate of albuterol and the xinafoate of salmeterol. Medicaments can also be delivered in combinations. Examples of particular formulations containing combinations of active ingredients include those that contain salbutamol (e.g., as the free base or the sulphate salt) or salmeterol (e.g., as the xinafoate salt) in combination with an anti-inflammatory steroid such as a beclomethasone ester (e.g., the dipropionate) or a fluticasone ester (e.g., the propionate).

Important attributes of DPI devices can be: 1) the ability to protect the dry powder from moisture ingress; 2) the number of doses contained within the inhaler; and 3) the overall size of the inhaler. In addition, it may be advantageous to fit the largest practical number of doses within the smallest possible inhaler. However, it may be necessary for individual doses to be spaced apart from each other to allow sufficient seal area and material thickness for moisture protection of the powder. One solution may be to use a dose ring with dose containers spaced equidistant from each other at two different radii, also referred to as a "staggered concentric" arrangement of doses.

Unfortunately, a challenge with a staggered concentric dose ring can be how to access each dose container for opening and inhalation. If all of the outer dose containers are opened first, followed by all inner dose containers, this may require an indexing device that will index a "half step" in order to effect the transition from the outer to inner ring of dose containers, but index a "full step" for all other dose containers. This indexing functionality may be difficult to achieve in inhaler devices. An alternative may be to create dose rings with a

special arrangement of dose containers on the dose ring. Unfortunately, this may complicate the automated handling and filling of the powder into the dose ring.

Turning now to the figures, **Figs. 1A-1C** illustrate an example of a multi-dose inhaler **10** with a cover **11**, inhalation port **10p**, and upper and lower housing portions **12**, **13**. However, this inhaler configuration is shown merely for completeness and embodiments of the invention are not limited to this inhaler configuration as other form factors, covers and inhalation port configurations may be used. In **Fig. 1A** the cover **11** is in a closed position. In **Fig. 1B** the cover **11** has been moved to an open or operational position. **Fig. 1C** illustrates the user lever **260** of an actuator mechanism moved from a first position (**Fig. 1B**) to a second position, as will be described below.

Fig. 2A illustrates a dose container assembly **20** with a dose ring or disk **30** having a plurality of dose containers **30c**. As shown in **Figs. 2B** and **2E**, in some embodiments, the dose ring or disk **30** can include a plurality of circumferentially spaced apart through apertures **30a** that form a portion of the dose containers **30c**. As shown in **Fig. 2E**, the dose containers **30c** can be defined by dose container apertures **30a** and upper and lower sealants **36**, **37**.

As shown, the dose container assembly **20** includes a lower airway disk **40** and an upper airway disk **50**. In other embodiments, the dose container assembly **20** can include the dose container disk **30** and only one of the lower airway disk **40** or the upper airway disk **50**. In such a configuration, another type of airway can be used for the other side of the disk **30**, such as, but not limited to, a fixed or "global" upper or lower airway can be used with the individual airways provided by either an upper or lower airway disk **50**, **40**. Also, it is contemplated that the upper and lower airway disks **50**, **40** described herein can be reversed for normal operation (or inadvertently for atypical operation) so that the lower airway disk is the upper airway disk and the upper airway disk is the lower airway disk.

As shown in **Figs. 2A** and **2B**, the lower and upper airway disks **40**, **50**, respectively, include a plurality of circumferentially spaced apart airway channels **41**, **51**, respectively. Typically, the disks **40**, **50** include one channel **41**, **51** for one dose container **30c**. However, in other embodiments, as shown, for example, in **Fig. 2C**, a respective airway channel **51**, **41** from one or both of the disks **50**, **40** can be in communication with two different dose containers **30c**.

This configuration will allow for (simultaneous) combination delivery of dry powder from two containers in a respective airway channel pair (or single) or can allow one dose container **30c₁** to release dry powder to the airway channel **41** and/or **51**, then be used again later for the other dose container **30c₂**. Thus, 5
embodiments of the invention allow for some or all airway channels **41**, **51** to be used once or twice. Also, while embodiments of the invention are illustrated as releasing only a dose from a single dose container **30c** during one delivery, other embodiments allow the inhalers to dispense a combination drug so that two or more dose containers **30c** may use a respective airway channel **41**, **51** for 10
delivery.

In some embodiments, the airway channels **41**, **51** can define airways that are not able to release dry powder residing in a respective airway channel to a user once the inhaler is indexed again to another position so that the respective airway channel is no longer in communication with the inhalation 15
port **10p**. The channels can be configured to have "sink traps" to inhibit spillage according to some embodiments of the present invention to provide overdose protection (unless the dual use configuration is used whereby only a single other dose may be released using that airway channel(s) as noted above).

Where two airway disks are used, e.g., both the lower and upper 20
disks **40**, **50**, the inhaler device **10** can be configured to operate even when inverted and have the same overdose protection feature. Spillage of dry powder from the inhaler **10** as the dose container **30c** is opened can be influenced by gravity. For example, for a conventional obround or elliptical mouthpiece shape, there are two primary device orientations (right-side-up and upside-down), 25
embodiments of the invention allow for operation of the inhaler device in both orientations. In the embodiment shown, for example, in **Fig. 2A**, this can be accomplished by having an individual airway section for a respective dose container **30c** (or dose containers where combination drug delivery is desired) both above and below the target corresponding dose container(s) **30c**.

30
Figs. 2A and **3A** illustrate that the dose container disk **30** can include 60 dose containers **30c** while **Fig. 3B** illustrates that the dose container disk **30** can include 30 dose containers **30c**. Greater or lesser numbers of dose containers may be used. **Figs. 2A**, **3A** and **3B** also illustrate that the dose container disk **30** can include at least one indexing notch **34**, shown as a plurality

of circumferentially spaced apart indexing notches **34**. To assemble the assembly **20**, a tab on one of the airway disks **40**, **50**, typically the lower disk **40**, includes a radially extending tab **45** (**Figs. 4, 6**) that aligns with and engages one of those notches **34** to position the channels **41**, **51** in alignment with the dose containers **30c**. Other alignment means may be used including the reverse of the notch and tab configuration described (*e.g.*, the airway disk can have the notch and the dose container disk can have the tab).

As shown in **Figs. 2B, 3A** and **3B**, the dose containers **30c** may be arranged so that they are circumferentially spaced apart in one or more rows. As shown in **Fig. 3A**, the dose containers **30c** are arranged in staggered concentric rows, a front row **31** at a first radius from a center of the disk and a back row **32** at a second different radius. As shown in **Fig. 3A** dose containers **30c** on each respective row are spaced apart a distance "D" and the offset of the centerlines of those on the back row to those on the front row is "D/2". The dose container disk **30** can be a molded polymer, copolymer or blends and derivatives thereof, or may comprise metal, or combinations thereof, or other materials that are capable of providing sufficient moisture resistance.

The dose container disk **30** can have an outer diameter of between about 50-100 mm, typically about 65 mm and a thickness of between about 2-5 mm, typically about 3 mm. The disk **30** can comprise a cyclic olefin (COC) copolymer. The apertures **30a** can have a diameter of between about 2-5 mm, typically about 3 mm and the sidewalls **30w** of the dose containers **30c** may have an angle or draft of about 1-3 degrees per side, typically about 1.5 degrees, as shown in **Fig. 3D**, to facilitate removal from a mold (where a molding process is used to form the disk **30**). The dose container **30** is configured to be able to protect the powder from moisture ingress, while providing a desired number of doses in a compact overall inhaler size. The individual apertures **30a** are spaced apart from each other to allow sufficient seal area and material thickness for moisture protection of the powder.

Similar to the embodiment shown in **Fig. 2E**, **Fig. 3C** illustrates that the dose containers **30c** may be defined by apertures **30a** sealed by sealant layers **36**, **37** over and under the apertures **30a**. The sealant can include foil, a polymer and/or elastomer, or other suitable materials or combinations of materials, including laminates. In a dry powder medicament inhaler **10**, the drug

powder is stored in a closed, moisture-resistant space provided by the dose containers **30c**. The sealant layers **36, 37** (where used) may be provided as a substantially continuous ring or may be attached to the dose container disk **30** as individual strips or spots of sealant can be placed over and under the apertures **30a**. In other embodiments, sealant is only provided on one primary surface of the dose disk, and the apertures **30a** may be closed on one side rather than through apertures (not shown). In yet other embodiments, the dose disk **30** can have a blister configuration **130** (**Fig. 10A**).

Embodiments of the invention provide a dose container assembly **20** that can provide a suitable seal and facilitate attachment of the airway disks **40, 50** to the dose ring or disk **30**. In some embodiments, the dose container disk **30** contains sealants **36, 37** which may be a continuous layer over the upper and lower (primary) surfaces of the dose disk **30** and the upper and lower airway disks **50, 40** can contact the respective sealant and abut the dose disk to allow for a tight fit. The exemplary attachment features shown in **Figs. 2E** and **6** can reduce air leakage by allowing a close fit of the airway disks **40, 50** to the dose ring **30**. The disks **40, 50** can sandwich the dose ring **30** and the dose ring can act as the "stop" to set the depth of engagement of the assembly features on the airway disks **40, 50**. Embodiments of the invention provide a feature to index the airway disks **40, 50** relative to the dose ring **30**, and some simple frictional engagement members, such as, but not limited to, "crush ribs", on one or both of the airway disks **40, 50** to secure their attachment to each other as will be discussed further below.

Fig. 4A illustrates an example of a lower airway disk **40**. As shown, the disk **40** defines a plurality of circumferentially spaced apart channels **41**. For the staggered concentric dose container configuration, the disk **40** can include alternating long and short airway channels **42, 43**, respectively. Each channel **41** includes opposing end portions **41a, 41b**, one (substantially or entirely) closed end portion **41a** typically positioned adjacent the dose container **30c** and one open end portion **41b**. The open end portion end portion **41b** can merge into and/or is positioned adjacent the exit port **10p** and/or mouthpiece **10m** (**Figs. 7A-7C**) and/or a make-up air port or channel. The intake and flow can be in either direction and the open end **41b** can be configured to face either the inner or outer perimeter of the disk **40** (e.g., be either positioned radially innermost or

radially outermost on the disk 40). The channels 41 include upwardly extending sidewalls 41w with adjacent pairs of the long and short channels sharing one of the sidewalls 41w. Optionally, as shown by the broken line with respect to feature 48 in Fig. 4A, the channels 41 can include a small bleed hole 48 that allows air to enter but is sized to inhibit dry powder from exiting therefrom (the bleed holes 48 are shown only with a few of the channels 41 for ease of illustration).

Figs. 4A and 4B illustrate that the disk 40 can include circumferentially spaced apart upwardly extending tabs 47, one of which includes the radially extending tab 45 discussed above. The disk 40 can also include circumferentially extending recesses which align with tabs on the upper airway disk 50 to sandwich the dose disk therebetween. The tabs 47 can include crush ribs 47r that matably engage with tabs 57 on the upper airway disk to hold the three piece assembly 20 with sufficient force without requiring any additional attachment means.

Fig. 4C illustrates that the disk 40 can also include dose indicia 44 so that a user can visually note what dose is being dispensed or a number of doses left in the inhaler. The dose indicia 44 can align with a dose reading aperture in the inhaler housing so that a user can visually assess the dose indicia/information that is visible to a user when a respective dose is indexed or is next to be indexed, to the dispensing position. Dose indicia 44 may also or alternatively be placed on the upper disk 50 and aligned with a dose reading aperture (not shown), or on both disks (also not shown). **Fig. 10B** illustrates that dose indicia 44 may be placed along the outer perimeter edge of the upper surface of the upper disk 50, and numbered sequentially, but other patterns may be used, depending on the opening sequence (and the number of doses on the disk). In some embodiments, the dose indicia 44 numbering can serially progress to alternate between rows of the dose containers 30 where the dose containers are opened in sequence in alternate rows, e.g., number 1 on the outer row, number 2 on the inner row, number 3 on the outer row (or vice versa) and so on. However, other dose numbering patterns may be used, depending on the opening sequence (and the number of doses on the disk). That is, this numbering may be appropriate where the inhaler is configured to open a dose container in one row, then open an adjacent dose container in the other row

(e.g., inner to outer ring or outer to inner ring of dose containers), and repeating this sequence serially, where two rows of dose containers are used. However, other embodiments may open all the inner dose containers or all the outer dose containers, then open the dose containers in the other row or use a different
5 alternating pattern of opening the dose containers on the inner and outer rows, and the dose numbering indicia on the disk **40** and/or **50** can be presented accordingly.

Fig. 5A illustrates an example of an upper airway disk **50**. In this embodiment, the upper airway disk **50** is shown inverted from its normal use
10 position (and inverted relative to the orientation shown in **Fig. 2A**). As shown, the disk **50** defines a plurality of circumferentially spaced apart channels **51**. For the staggered concentric dose container configuration, the disk **50** can include alternating long and short airway channels **52**, **53**, respectively. Each channel **51** includes opposing end portions **51a**, **51b**, the closed or substantially closed
15 portion **51a** is typically positioned adjacent the dose container **30c**. The intake and flow can be in either direction and the open end **51b** can be configured to face either the inner or outer perimeter of the disk **50** (e.g., be either positioned radially innermost or radially outermost). The other (open) end portion **51b** merges into and/or is positioned adjacent the exit port **10p** and/or mouthpiece
20 **10m** and/or make-up air port or channel. The channels **51** include outwardly extending sidewalls **51w** with adjacent pairs of the long and short channels sharing one of the sidewalls **51w**. Optionally, as shown by the broken line with respect to feature **48** in **Fig. 5**, the channels **51** can include a small bleed hole **48** (shown with only a few channels for ease of illustration) that allows air to enter
25 but is sized to inhibit dry powder from exiting therefrom.

As also shown in **Fig. 5A**, each channel **51** can include an aperture **55** that is configured to reside over a respective dose container **30c** with the upper sealant layer **36** of the dose container **30c** residing under the aperture **55**. The apertures **55** allow a piercing (e.g., slicing or puncturing) member (e.g.,
30 **220**, **Fig. 13D**) to extend through the aperture and open the sealant layers **36**, **37** (**Fig. 3C**). As shown in **Fig. 5A**, the upper disk **50** can also include one or more of indexing ribs **58** and/or inner perimeter gear teeth **60** or other features that can index the disk within the inhaler to rotate the disk to provide the different dose containers **30c** to a dispensing position and/or position a piercing

mechanism over the target dose container for dispensing to open the dose container **30c**. In other embodiments, one or both of these rotating and positioning mechanisms (or different features) can be provided on the lower disk or the dose disk (not shown).

5 **Fig. 5B** illustrates that the disk **50** can include three tabs **57** instead of four as shown in **Fig. 5A** (the lower airway disk **40** can also include three tabs instead of four in this embodiment, see **Figs. 4B, 4C**). One of the tabs **57** can have a vertically extending orientation rib **56**, shown on an inner perimeter surface of the tab **57**. In some embodiments, the orientation rib **56** on
10 the upper disk **50** cooperates with a piercing frame associated with the piercing mechanism fixed in the inhaler housing so that the orientation rib **56** aligns to the frame to set a correct initial position according to dose number (e.g., 1) and prevents indexing past the number of doses in the disk assembly **20**. Stated differently, the orientation rib **56** cooperates with the inhaler housing to set an
15 initial position of the disk assembly **20** and also stops the disk assembly from rotating around more than once.

Fig. 5B also illustrates that the apertures **55** can be configured with a geometry that corresponds to the shape of the piercer **220**. The apertures **55** can be configured to closely surround the piercer **220**. The piercer **220** can be a
20 fluted piercer. As shown, the aperture **55** has three lobes **55l** to snugly matably receive a correspondingly shaped three lobe (fluted) piercer **220** (**Fig. 14D**). The lobes **55l** can be in a different orientation in the inner row versus the outer row, e.g., rotated 180 degrees.

Figs. 2A and **6** illustrate the dose container assembly **20** integrally
25 attached together. **Figs. 2B, 4A, and 5A** illustrate the exemplary disk components, **30, 40, 50**. The tabs **57** of the disk **50** fit into spaces **49** of the disk **40** and the tabs **47** of the disk **40** fit into spaces **59** of the disk **50** with the crush ribs **47r** firmly abutting the outer edges of tabs **57** to frictionally engage the components together with the dose disk **30** sandwiched therebetween with a
30 flush fit via a relatively easy "press-fit" assembly method. The dose container disk **30** is aligned with the upper and lower airway disks via the (radially outward extending) tab **45** that engages one of the alignment notches **34** of the dose container ring **30** as discussed above. However, other alignment features or indicia may be used as well as other attachment configurations.

The upper and lower airway disks **50, 40** (where both are used) can be attached to the dose container disk **30** so as to reduce any gaps in the airway path defined thereby. The disk **30** can be a stop for attachment features on the airway disks **40, 50**. The disk **30** with the sealants **36, 37** can have

5 substantially planar upper and lower primary surfaces without requiring any attachment features. The lower portion of the upper airway disk **50** and the upper portion of the lower airway disk **40** can snugly reside against the respective opposing primary surfaces of the dose container disk **30** so that the attachment features/components are only on the upper and lower disks **50, 40** allowing for a

10 snug and sufficiently air-tight interface between the disks **30, 40, 50** without gaps created by tolerances in other build configurations. The press-fit attachment without use of adhesives while providing for the substantially air-tight interface can be advantageous and cost-effective. However, as noted above, other attachment configurations may be used, including, for example, ultrasonic

15 welding, adhesive, laser weld, other friction fit and/or matable configurations, the use of seals (O-rings, gaskets and the like) between the connection regions of the walls of the airway channels facing the dose container **30c** and the sealant layers **36, 37** over and/or under the dose containers **30c** of the disk, including combinations thereof, and the like.

20 As shown in **Figs. 7A-7C**, in operation, pairs of upper and lower aligned channels **41, 51** can reside over and under a respective dose container **30c** and are in fluid communication via the opened dose container **30c** and aperture **30a**. That is, as shown in **Fig. 7A**, a piercing member **220** advances to pierce the upper and lower sealant layers **36, 37**, respectively (**Fig. 3C**). The

25 piercing member **220** can be configured to extend and remain in the lower airway channel or may (partially or fully) retract before the dispensing after opening the lower sealant. Also, although shown as extending down to pierce the sealant layers, the piercing member **220** can be configured to extend upward from the bottom. Either way, the piercing member **220** can be configured to

30 occlude the aperture **55** in the upper (or lower) disk).

As shown in **Fig. 7B**, the piercing member **220** can then partially or fully retract, or stay extended in the lower (or upper) airway channel, depending on the configuration of the mechanism, but is typically configured to plug and/or cooperate with a member that can plug the aperture **55** of the upper disk **50** (or

lower disk **40** if piercing from the bottom) or otherwise occlude this passage **55** so that the piercing member **220** and/or cooperating member substantially blocks, occludes (and/or seals) the aperture/opening **55** (**Figs. 2A, 5**). In this way, if the inhaler is inverted, powder is prevented from spilling out of the channel **51** because of the blockage provided by the piercing member **220**. The airflow path **10f** may be any direction from above to below the dose container **30c** or vice versa or from the inner perimeter to the outer or vice versa, shown for example only in **Fig. 7B** by the arrow to allow air to flow through the bottom channel up through the aperture **30a** and out the top channel **51** to the mouthpiece **10m**. It is also noted that the exit or open end portion of the channel **41b, 51b** may face the inner perimeter rather than the outer perimeter of the disc assembly **20** as shown in **Figs. 7A-7C** (see, e.g., **Fig. 10A**).

After dispensing, the piercing member **220** is fully retracted as shown in **Fig. 7C** and the dose container assembly **20** can be rotated to a dispensing position and/or the piercing member **220** can be activated to open a different dose container **30c**. In operation, the dose container assembly **20** can be radially pushed outward to seal or provide a snug exit path for the airway channel **41** and/or **51** against the mouthpiece **10m**. **Fig. 10A** illustrates that a seal **129**, such as an O-ring may be used to provide a sufficiently air-tight path between the airflow exit path **10l** (or short path **10s** and/or mouthpiece **10m**) and the disk assembly **20**. Other airpath seal or closure configurations may be used.

Figs. 10B-10E illustrate an embodiment of the inhaler **10** that can bias the disk **20** toward the mouthpiece **10m** using a lever assembly **80** that can facilitate an accurate, repeatable position of the disk **20** for piercing, as well as control air leakage at the mouthpiece joint **10j**. With regard to air leakage, embodiments of the inhaler provide a tight connection that is temporally synchronized with the time of inhalation, while at other times, e.g., during indexing of the disk **20**, the inhaler can allow a looser fit which facilitates rotation of the disk **20** in the inhaler **10**. In this embodiment, the mouthpiece **10m** resides on the outer perimeter of the disk assembly **20** with the exit ports of the disk assembly **20** also residing on the outer perimeter of the disk assembly.

As shown in **Fig. 10B**, the lever assembly **80** includes a lever arm **81** that communicates with an upper surface of the upper airway disk **50** and extends down a distance to reside closely spaced to an outer perimeter of the

disk assembly **20**. The lever assembly **80** also includes a finger **82** that resides above the disk assembly **20** and extends down toward the disk assembly **20**.

The lever assembly **80** also includes a loading post **84** that resides proximate an outer perimeter of the disk assembly **20**. The lever arm **81** includes a recess **83** that is configured to receive the finger **82**. As the finger **82** resides in the recess **83**, the post **84** pushes the disk assembly **20** radially inward to cause a tight joint **10j** at the time of inhalation (Fig. **10E**). The recess **83** can have an open perimeter shape and the finger **82** can slidably enter and exit therefrom. The lever arm **81** can define a ramp (inclined in the direction toward the recess **83**) that slidably engages the finger **82** and directs the finger **82** to move toward the recess **83**.

The lever assembly finger **82** is attached to lever **12n** and rotates with respect to the frame **12** in the inhaler housing, typically upon user actuation of the lever **12n**. When the lever **12n** is returned from "actuated" (dosing) position, the finger **82** is pulled out of the recess **83** so that the disk assembly **20** is free to rotate to index to a next dispensing position.

Typically during inhalation, the loading post **84** resides radially opposite (substantially diametrically opposed to) the mouthpiece **10m**. The lever arm **81** and post **84** do not rotate. This component is affixed to a frame **12** that is attached to the inhaler housing. The finger **82** rotates with respect to the frame **12** (and the lever arm **81**).

As shown in Fig. **10B**, the finger **82** does not contact the lever arm **81** during this portion of the stroke cycle of the lever assembly **80** to allow for free rotation during indexing. Fig. **10C** illustrates the finger **82** moving toward the recess **83**. Fig. **10D** illustrates the finger **82** in the recess **83** to bias the disk assembly **20** toward the exit flow path member **10fm**. At the moment of inhalation, the finger **82** is advanced to its fullest extent of travel. Indexing (rotation) of the disk assembly **20** occurs while the finger **82** is elsewhere in its travel path (arm stationary). Therefore, as shown by the arrow in Fig. **10D**, the lever assembly **80** can bias the disk assembly **20** while the finger **82** is at the far extent of travel to seal the joint **10j** at the proper time (inhalation), while allowing free movement during indexing (typically also unbiased the rest of the time).

It is recognized that, during manufacturing, there may be a tolerance-induced mismatch between the diameters of the dose disk **30** and the

upper airway disk **50** of the disk assembly **20**. As shown in **Fig. 10E**, inner or outer sidewall surfaces (shown as outer sidewall surfaces) of both of these disks, **30, 50** contact the mouthpiece **10m** when the disk assembly **20** is biased against it. Thus, as shown in **Fig. 10E** a small relief **10r** can be cut or otherwise formed into the proximate or abutting surface of the an exit flowpath member **10fm** (which may be the mouthpiece **10m**) at a location that coincides with the dose disk **30** to assure that the upper airway disk **50**, which has the greater amount of contact surface, is always the part to contact the mouthpiece or exit flowpath member **10fm** in communication with the mouthpiece **10m**.

The inhaler **10** can include a user-accessible actuator such as a lever, knob, switch, slider, crank, pushbutton or other mechanical and/or electromechanical device that can index the dose ring or disk **30** to rotate the assembly **20** to place one or more dose containers **30c** (**Fig. 2B**) in a dispensing position in an inhalation chamber in fluid communication with the inhalation port **10p** (**Fig. 1B**) and/or cause a piercing member **220** (**Figs. 7A-7C**) to open a dose container **30c** in the front row, then the back row (or vice versa) to release medicament to an inhalation air flow path for inhalation by a user (as will be discussed further below). To release the powder for inhalation, the sealed dose container **30c** is opened and connected to an airway **41** and/or **51** which is in turn connected to the inhaler mouthpiece **10m** (see, e.g., **Figs. 7A-7C, 10E**). After the drug falls into the channel **41** or **51** (depending on which orientation the inhaler is in), this is a "used" channel and the drug therein is either delivered (if the user inhales properly and timely) or isolated (if the user does not inhale and closes the mouthpiece or otherwise causes the indexing of the disk assembly **20**), and the "used" channel is indexed with the opened dose container **30c** so that it cannot be used again or so that it is used again for only the other dose container in the shared channel (as discussed with respect to **Fig. 2C**). Any powder remaining in the opened dose container is separated from the airway when the next dose container is indexed into position.

In some embodiments, the portion of the airway provided by the airway channel **41** or **51** adjacent to each dose container **30c** is unique to that individual dose container **30c**. In this way, any spillage of powder into the airway will only be available to the mouthpiece and user as long as that dose container is indexed into connection with the primary (mouthpiece) airway. Indexing to the

next dose container will also index the adjacent airway section out of connection with the active inhalation airway path, taking any spilled and/or accumulated powder with it.

Figs. 8A, 8B and 9 illustrate an example of a dose container disk or ring **30** with two rows of apertures **30a** used for dose containers **30c**. The dose container disk **30** can be relatively thin, such as about 2-4 mm thick. The dose container apertures **30a** can be configured so that the inner row **32** is at least about 2 mm from the outer row **31** and so that the inner and outer rows of dose containers are spaced inward from the respective perimeters by about 2 mm. This spacing can provide sufficient moisture permeability resistance and/or oxygen resistance.

Fig. 10A illustrates an embodiment of an inhaler **10** with a long exit air path **10I**. In this embodiment, the airway disks can orient the channels **41, 51** so that the open ends **41b, 51b** face and open to the inside of the disk rather than the outside. **Fig. 10A** also illustrates that the dose container disk **30** can be configured with blisters **130**.

Fig. 10A also illustrates that the piercing mechanism **200** can rotate such that the piercing member **220** can pierce a dose container **30c** on the inner row, then rotate to pierce the adjacent one **30c** on the outer row. Examples of piercing mechanisms **200** and piercing members **220** will be described in detail with respect to **Figs. 11, 12A-12B, 13A-13I, and 18A-18G**.

Fig. 11 is a partial cutaway perspective view of a dose container assembly **20** in an inhaler **10** cooperating with a rotating piercing mechanism **200** according to some embodiments of the present invention. As described above, the dose container assembly **20** includes a dose container disk **30**, a lower airway disk **40** and an upper airway disk **50**. In other embodiments, the dose container assembly **20** can include the dose container disk **30** and only one of the lower airway disk **40** or the upper airway disk **50**.

The dose container assembly **20** is rotatably secured within the inhaler housing **12**. As described above with respect to **Figs. 3A and 3C**, the dose container disk **30**, in some embodiments, has opposing upper and lower primary surfaces, a first row of circumferentially spaced apart dose containers **30c** at a first radius and a second row of circumferentially spaced apart dose containers **30c** at a second radius so that the first and second rows are

concentric with respect to a center of the disk **30**. The dose containers **30c** contain dry powder therein and are defined by apertures **30a**, which are sealed by sealants **36, 37** over and under the apertures **30a**.

The piercing mechanism **200** is operably associated with the dose container assembly **20** and is configured to pierce the first and second sealants **36, 37** that seal a dose container **30c**. The piercing mechanism **200** is rotatable such that it can serially alternate between the two rows of dose containers **30c**. For example, the piercing mechanism **200** is configured to pierce the sealants **36, 37** over and under a dose container **30c** in a first row of dose container apertures **30a**, and then rotate and pierce the sealants **36, 37** over and under a dose container **30c** in a second row of dose container apertures **30a**.

In the illustrated embodiment, the piercing mechanism **200** includes a rotatable drum **210**, an elongate piercing member **220**, and a biasing member **230**. Referring to **Figs. 12A-12B**, the rotatable drum **210** has an open end **211**, an opposite closed end **212**, and a cylindrical wall **213** that extends from the closed end **212** and terminates at the open end **211**. The closed end **212** includes an aperture **214** formed therein in a location adjacent to the wall **213**, as illustrated. The elongate piercing member **220** (**Fig. 13B**) is extended and retracted through the aperture **214**, as will be described below. Gear teeth **215** extend circumferentially around the wall **213** adjacent the open end **211**, as illustrated. A support member **216** extends outwardly from the closed end **212**, as illustrated, and is configured to support the piercing member **220**. In addition, a pair of diametrically opposed teeth **217** extend outwardly from the wall **213** below the gear teeth **215**.

The closed end **212** of the drum **210** has a substantially circular portion **218** that extends outwardly therefrom so as to give the closed end **212** a stepped configuration, as illustrated in **Fig. 12B**. This portion **218** is configured to be inserted within a corresponding substantially circular recessed portion **13** in the inhaler **10** to facilitate rotation of the drum **210**.

The elongate piercing member **220** (**Fig. 13B**) includes a distal piercing portion **221** and a proximal head portion **222**. In some embodiments, the distal piercing portion **221** can be a corkscrew piercer configured to pierce the sealants **36, 37** with a straight vertical non-rotational movement, as illustrated and described with respect to **Figs. 14A-14B**, below. In some embodiments, the

distal piercing portion **221** can have a fluted piercer configured to pierce the sealants **36, 37**, as illustrated and described with respect to **Figs. 14C-14E**.

The elongate piercing member **220** is movably associated with the support member **216** in the drum **210** so as to be capable of reciprocal
5 movement between piercing and non-piercing positions. In the piercing position, the piercing member distal piercing portion **221** extends through the drum aperture **214** and through the first and second sealants **36, 37** of a dose container **30c** (**Figs. 13C, 13D**). In a retracted position, the distal piercing portion
10 **221** is retracted above a lower surface of the drum aperture **214**, such that the drum **210** is free to rotate.

As shown in **Fig. 11**, a coil spring **230** serves the function of a biasing member that is configured to urge the piercing member **220** toward the fully retracted position. The illustrated spring **230** is supported at one end within the drum **210** by the closed end **212** and extends upwardly around the support
15 member **216** and is attached to the head portion **222**. An arcuate rib **219** extends from the drum closed end **212**, as illustrated in **Fig. 12A**. An end of the coil spring **230** is positioned between the rib **219** and the internal surface of drum wall **213**. The rib **219** provides stability to the spring **230** and inhibits the spring
20 **230** from becoming misaligned within the drum **210**. An opposite end portion of the spring **230** is attached to the head portion **222** of the piercing member **220** in any of various ways. As such, the spring **230** provides a biasing force to the piercing member **220** so as to urge the piercing member **220** to a retracted position away from the drum closed end **212**.

Referring back to **Fig. 11**, a ring gear **240** is rotatably secured
25 within the inhaler housing **12**, and includes multiple sets of teeth **242** that are circumferentially spaced-apart from each other along an outer perimeter **240a**, thereof. The illustrated ring gear **240** includes an inner perimeter **240b** having a plurality of spaced-apart steps **244**. Each step **244** includes an end **244a** and a tapered portion **244b** extending away from the end **244a**. As shown and as will
30 be described further below, each end **244a** of a step **244** is configured to be engaged by a pawl **268** associated with an actuator **260** of the inhaler **10**. The tapered portion **244b** of each step **244** allows the pawl **268** to slide along the step **244** and engage the end **244a**.

Still referring to **Fig. 11**, the piercing mechanism **200** is positioned

relative to the ring gear **240** such that the drum gear teeth **215** cooperate with a respective set of teeth **242** on the ring gear outer perimeter. Rotation of the ring gear **240** by a predetermined amount, when a set of teeth **242** are engaged with the drum gear teeth **215**, causes the drum **210** to rotate such that the piercing member **220** moves from a position overlying a dose container **30c** in one row to a position overlying a dose container **30c** in the other row. In the illustrated embodiment, and based upon the illustrated arrangement of dose containers **30c** in the disk **30**, rotation of the ring gear **240** by a predetermined amount causes the drum **210** to rotate approximately one-hundred eighty degrees (180°).

Still referring to **Fig. 11**, the dose container assembly **20** includes gear teeth **250** on an outer perimeter thereof. In embodiments where an upper airway disk is not utilized, the gear teeth **250** can extend from an outer or inner perimeter of the dose disk **30**. In embodiments where an upper airway disk **50** is utilized, the gear teeth **250** can extend from an outer or inner perimeter of the upper airway disk **50**. Embodiments of the present invention are not limited to gear teeth extending from the outer perimeter of the upper airway disk **50**. The diametrically opposed teeth **217** that extend outwardly from the drum wall **213** are configured to engage the dose container assembly gear teeth **250**. Rotation of the drum **210** via the ring gear **240**, in turn, causes rotation of the dose container assembly **20**. A set of teeth **217** may be diametrically opposed from each other, according to some embodiments. Embodiments of the present invention are not limited to a single tooth **217**, as illustrated.

The inhaler **10** includes a user-accessible actuator **260** that is configured to rotate the dose container assembly **20** to place one or more dose containers **30c** (**Fig. 2B**) in a dispensing position in an inhalation chamber in fluid communication with the inhalation port **10p** (**Fig. 1**) and to cause the piercing member **220** to open a dose container **30c** in the front row, then the back row (or vice versa) to release medicament to an inhalation air flow path for inhalation by a user. The actuator **260** is movable between first and second positions, as illustrated in **Figs. 13A-13I**.

In **Figs. 13A-13B**, the actuator **260** is in the first or rest position and the piercing member **220** is positioned over an aperture **55** in the upper airway disk **50** that corresponds with a respective dose container **30c**. A user begins to rotate the actuator **260** in a clockwise direction which causes the

actuator **260** to engage the piercing member head portion **222**. The illustrated actuator **260** includes first and second inclined portions **262**, **264** adjacent to each other. The first portion **262** has an inclined configuration (e.g., a ramp) that causes the piercing member **220** to move downwardly to the piercing position as the actuator moves in the clockwise direction. The actuator second portion **264**, which is adjacent to the first portion **262**, has an inclined configuration opposite that of the first portion **262**. In other words, the inclined first and second portions **262**, **264** form a V-shape. A third portion **266** adjacent to the second portion **264** has a non-inclined configuration, as illustrated.

10 The actuator second portion **264** allows the piercing member **220** to move from a piercing position to a partially retracted position. When the actuator is in the second position, the non-inclined third portion **266** is engaged with the head portion **222** of the piercing member **220**. As such, the piercing member **220** is in a partially retracted position to inhibit dry powder spillage and overdosing conditions as described above.

15 **Figs. 13C-13D** illustrate clockwise movement of the actuator **260** such that the actuator first portion **262** pushes the piercing member **220** downward to puncture the first and second sealants **36**, **37**. In **Fig. 13E**, the actuator **260** has continued to rotate in the clockwise direction to the second position such that the head portion **222** of the piercing member **220** is engaged by the non-inclined portion **266**. In the second position, the piercing member **220** is allowed to partially retract. This allows airflow through the pierced dose container **30c**, but blocks the aperture **55** in the airway disk **50**, thereby preventing possible powder spillage during inverted operation of the inhaler **10**.

25 Referring to **Fig. 13F**, the actuator **260** pawl **268** is about to engage a step **244** on the inner perimeter of the ring gear **240** as the actuator **260** is moved from the second position to the first position. When engaged with the step **244**, the pawl **268** causes rotation of the ring gear **240** when the actuator **260** is moved from the second position to the first position. In **Fig. 13F**, the actuator **260** is in the second position and the pawl **268** has moved along the tapered portion **244b** of a step **244** and past the end **244a** of the step **244**.

 After inhalation of the powder, the user moves the actuator **260** from the second position to the first position (i.e., counterclockwise). Movement of the actuator **260** from the second position to the first position is illustrated in

Figs. 13G-13H. Movement of the actuator **260** to the first position allows the piercing member **220** to partially retract from the dose disk **30** and airway disks **40, 50**. The counterclockwise movement of the actuator **260** then causes the actuator pawl **268** to engage the end **244a** of a step **244** and to rotate the ring gear **240** in the counterclockwise direction. This counterclockwise rotation of the ring gear **240** cause one of the sets of teeth **242** on the outer perimeter **240a** of the ring gear **240** to engage the drum gear teeth **215** and to cause rotation of the drum **210** by a predetermined amount. The amount of rotation of the drum **210** is controlled by the number and configuration of teeth **242** and this number is selected such that the drum **210** is rotated substantially one-hundred eighty degrees (180°) so that the piercing member **220** is positioned above a dose container **30c** in the other row of dose containers.

In some embodiments, one or more alignment members may be provided to cooperate with the drum **210** to assure exact positioning of the piercing member **220** over an aperture **55** in the upper airway disk **50**. For example, as illustrated in **Fig. 16**, drum portion **218** includes a pair of notches **270**. A corresponding pair of spring-loaded pawls **272** associated with frame **274** that rotationally supports the drum **210** are configured to deflect and cooperate with notches **270** when the drum **210** is rotated to a piercing position. These spring-loaded pawls **272** stop rotation of the drum **210** so as to precisely position the piercing member **220**. The force exerted by the spring-loaded pawls **272** is sufficient to locate and retain the drum **210** in a correct piercing position, but not so high as to inhibit rotation of the drum under the rotational force imparted by the ring gear **240**, as described above. Embodiments of the present invention are not limited to the illustrated number or configuration of spring-loaded pawls **272** and notches **270**. A single spring-loaded pawl **272** and notch **270** may be utilized, for example.

Referring to **Fig. 13I**, as the drum **210** is rotated by the ring gear **240**, one of the diametrically opposed teeth **217** extending from the drum **210** engages a mating tooth **250** on the dose container assembly **20** and rotates the dose container assembly a predetermined amount, e.g., about six degrees (6°), etc. The amount of rotation of the dose container assembly **20** depends on the number and arrangement of dose containers **30c** in the dose container disk **30**. This amount of rotation can be controlled by the number and arrangement of

gear teeth **250** on the dose container assembly and/or by the number and arrangement of teeth **217** extending from the drum **210**.

When the actuator **260** is returned to the first position, a fresh dose container **30c** is positioned under the piercing member **220**, and the inhaler is
5 ready for another cycle.

Fig. 14A illustrates one embodiment of a piercing mechanism **200** with a corkscrew piercer **220**. In operation the corkscrew moves up and down vertically straight, typically without rotation, to create a desired opening shape (e.g., circular) through the sealant layers **36, 37**. In other embodiments, the
10 corkscrew may rotate during extension and/or dispensing. In the embodiment shown, the corkscrew piercer **220** can remain in the lower channel **41** while the dry powder is dispensed in the airflow path and the blockage of the aperture **30a** can be provided by a resilient member **120** that is mounted on the corkscrew **220** and moves up and down therewith. The piercing member **220** can have a two
15 stage operation, fully up (for indexing) and fully down. The most forward portion of the corkscrew can have a point with a configuration that creates a desired cutting configuration into the sealant (e.g., foil). In some embodiments, the corkscrew piercer **220** can cut a shape with a tab into the sealant **36, 37**, then fold the tab down to release the dry powder. Positioning the corkscrew piercer
20 **220** in the channel **41** during dispensing may provide improved aerodynamics or shear or impaction flow turbulence for the dry powder. The resilient member **120** can comprise a foam block or other resilient member **120** (such as a hard or rigid member biased by a spring) that can be used to seal or plug the aperture **30a**.
Fig. 14B illustrates a similar corkscrew piercer **220** that is used with a disk
25 assembly **20** having both upper and lower airway disks **50, 40**. A resilient and/or flexible member **200p** such as a polymeric and/or elastomeric or foam plug can be used to occlude or seal the disk aperture **55**.

Figs. 14C and 14D illustrate a piercing mechanism **200** with a fluted solid piercer **220**. The flute may have a straight flute configuration or the
30 flute can have a twist or partial twist along its length, e.g., the maxima and minima of the lobes change axially along the length of the flute. The flute can have a cross section with a plurality of lobes, typically three or four lobes, shown as three lobes in **Fig. 14C**. The fluted configuration may extend only a partial forward length and merge into a constant diameter segment that resides in and

helps occlude or seal the aperture **55** as shown in **Fig. 14E**. In other embodiments, the solid or fluted piercer configuration can merge into a cap or plug **200p** that resides over and/or in the aperture **55** (see, e.g., **Fig. 14B**). In some embodiments, the twisted flute **220** can remain in the lower disk **40** during dispensing which may facilitate turbulence and/or compaction in the airway.

Fig. 14D illustrates that the fluted piercer **220** can rotate as it pierces the foil or other sealant material to form a round hole or may be extended straight without rotation. In other embodiments, the fluted piercer **220** can be extended or advanced without rotation to pierce the sealant layer(s) **36**, **37**. **Fig. 14E** illustrates that the fluted piercer **220'** can include a fluted forward portion **220f** with a length " L_1 " that merges into a solid portion **112** that can have a substantially circular cross-section with a length " L_2 ". L_1 is typically longer than L_2 . L_1 can have a length sufficient to allow the forward fluted portion **220f** to reside in the dose container aperture **30a** (typically just below the lower sealant line or in-line with or slightly above or below the lower surface of the disk **30**) and/or through the lower sealant **37** at the same time, with the solid portion engaging the airway disk aperture **55**.

Fig. 14F illustrates a piercing mechanism **200** that can include a plug **200p** (similar to that shown in **Fig. 14B** for the corkscrew configuration) that can occlude the passage **55**. The plug **200p** can be used with any piercer, including the corkscrew **220** (**Fig. 14A**) or the solid fluted piercer **220** (**Fig. 14C**) or other piercer configuration. The piercing head can remain in the lower channel **41** during dispensing as shown in **Fig. 14E**, or the piercer may retract partially through a passage in the plug (not shown) while leaving the plug **200p** in position against and/or over the aperture or passage **55**.

The inhaler **10** can have a body that is a portable, relatively compact "pocket-sized" configuration. In some embodiments, the inhaler body can have a width/length that is less than about 115 mm (about 4.5 inches), typically less than about 89 mm (about 3.5 inches), and a thickness/depth of less than about 51 mm (about 2 inches), typically less than about 38 mm (about 1.5 inches). The inhaler body can also be configured to be generally planar on opposing primary surfaces to facilitate pocket storage.

The inhaler can include a circuit that can control certain operations of the inhaler **10**. The inhaler **10** can include a computer port (not shown). The

port may be, for example, an RS 232 port, an infrared data association (IrDA) or universal serial bus (USB), which may be used to download or upload selected data from/to the inhaler to a computer application or remote computer, such as a clinician or other site. The inhaler **10** can be configured to via a wired or wireless communication link (one-way or two-way) to be able to communicate with a clinician or pharmacy for reorders of medicines and/or patient compliance. The inhaler **10** may also include a second peripheral device communication port (not shown). The inhaler **10** may be able to communicate via the Internet, telephone, cell phone or other electronic communication protocol.

10 In some embodiments, the circuit can include computer program code and/or computer applications that communicate additional data to a user (optionally to the display) as noted above and/or communicate with another remote device (the term "remote" including communicating with devices that are local but typically not connected during normal inhalant use).

15 In some embodiments, the circuit can be in communication with a vibrator device (not shown). The vibrator device can be any suitable vibrator mechanism. The vibrator device can be configured to vibrate the dry powder in the airflow path. In some embodiments, the vibrator device can comprise a transducer that is configured to vibrate the opened cartridge(s) holding the dry powder. Examples of vibrator devices include, but are not limited to, one or more of: (a) ultrasound or other acoustic or sound-based sources (above, below or at audible wavelengths) that can be used to instantaneously apply non-linear pressure signals onto the dry powder; (b) electrical or mechanical vibration of the walls (sidewalls, ceiling and/or floor) of the inhalation flow channel, which can include magnetically induced vibrations and/or deflections (which can use electromagnets or permanent field magnets); (c) solenoids, piezoelectrically active portions and the like; and (d) oscillating or pulsed gas (airstreams), which can introduce changes in one or more of volume flow, linear velocity, and/or pressure. Examples of mechanical and/or electro-mechanical vibratory devices are described in U.S. Patent Nos. 5,727,607, 5,909,829 and 5,947,169, the contents of which are incorporated by reference as if recited in full herein. Combinations of different vibrating mechanisms can also be used.

 In some embodiments, the vibrator device can include a commercially available miniature transducer from Star Micronics (Shizuoka,

Japan), having part number QMB-105PX. The transducer can have resonant frequencies in the range of between about 400-600 Hz.

In certain embodiments, the inhaler **10** can include visible indicia (flashing light or display "error" or alert) and/or can be configured to provide
5 audible alerts to warn a user that a dose was properly (and/or improperly) inhaled or released from the inhaler. For example, certain dry powder dose sizes are formulated so that it can be difficult for a user to know whether they have inhaled the medicament (typically the dose is aerosolized and enters the body with little or no taste and/or tactile feel for confirmation). Thus, a sensor (not
10 shown) can be positioned in communication with the flow path in an inhaler and configured to be in communication with a digital signal processor or microcontroller, each held in or on the inhaler. In operation, the sensor can be configured to detect a selected parameter, such as a difference in weight, a density in the exiting aerosol formulation, and the like, to confirm that the dose
15 was released.

The sealed dose containers **30c** can be configured so that the water vapor transmission rate can be less than about 1.0g/100in²/24hours, typically less than about 0.6 g/100in²/24hours and an oxygen transmission rate that is suitable for the dry powder held therein. The dose container assemblies
20 **20, 20'** can be configured with a stable shelf life of between about 1-5 years, typically about 4 years.

The dose containers **30c** can have a volume (prior to filling and sealing) that is less than about 24 mm³, typically between 5-15 mm³. The powder bulk density can be about 1 g/cm³ while the powder nominal density when filled (for reference) can be about 0.5 g/cm³. The maximum compression of a
25 drug by filling and sealing in the dose container **30c** can be less than about 5%, typically less than about 2%. The maximum heating of drug during the filling and sealing can be maintained to a desirable level so as not to affect the efficacy of the drug or the formulation.

Fig. 17 illustrates the substantially U-shaped airpaths created by the disk assembly **20** (e.g., the upper disk channel **51** and lower disk channel **41** define the long sides of the "U" which extend in a radial direction across the disk body. As shown, in this embodiment, the outer perimeter of the disk assembly **20** holds both the outlet and an inlet for the airflow path **10f**. The "U" shaped flow
30

path (or, in some embodiment, a partial "U" where only a one of the airflow disks **40, 50** is used) can function as a powder deagglomerator. The dry powder particles **10d** impact the opposing wall of the airway disk channel **51** as they exit the dose container **30c** with sufficient force to deagglomerate the drug powder.

5 **Fig. 17** also illustrates an example of dry powder particle trajectories **10d** entrained in air flow associated with the inspiratory airflow path **10f**. After the dry powder exits the dose container **30c** in the airflow path **10f**, the air flow and smaller powder particles (**10f**) in the air are able to make the about 90 degree turn while heavier dry powder particles (**10d**) bounce off
10 the inner wall **51w** of the upper airway disk channel **51** with increasingly shallow angles eventually going more or less straight out of the mouthpiece **10m**. The impact of the heavier dry powder against the walls **51w** help deagglomerate the dry powder. Referring again to **Fig. 5A**, in the dual row dose container **30** embodiment, the channels **51** vary in length depending on
15 if the dose container **30** is on the inner or outer row.

In some particular embodiments, the airway channels **41, 51** can include alternating short and long channels (see, e.g., **Fig. 5A**). The length of the long channel (the channels with the dose container on the inner perimeter where the outer perimeter is the exit location and vice versa if the inner perimeter is the
20 exit location) can be between about 5 mm to about 15 mm, typically about 10 mm, the length of the short channel can be between about 3-10 mm, typically about 5 mm (e.g., about 40-70% the length of the long channel. The depth (vertical height) of each channel **41, 51** can be the same or can, in some embodiments vary. Exemplary depths of the channels **41, 51** are between about 1 mm to about
25 3 mm, typically about 2 mm, but other depths can be used.

Referring to **Fig. 15**, exemplary operations that can be used to operate an inhaler according to some embodiments of the present invention are illustrated. A dose container disk having opposing upper and lower primary surfaces, a first row of circumferentially spaced apart dose containers at a first
30 radius and a second row of circumferentially spaced apart dose containers at a second radius so that the first and second rows are concentric with respect to a center of the disk, are provided (**Block 300**). The dose containers have dry powder therein, and each dose container terminates at a respective aperture in the upper surface and at a respective aperture in the lower surface. A first

flexible sealant resides over the apertures in the upper surface, and a second flexible sealant resides over the apertures in the lower surface. A piercing mechanism is advanced to open both sealants and release dry powder from a dose container (Block 310). The piercing mechanism is retracted from the dose container (Block 320), and rotated to a position above a dose container in the other row (Block 330).

Figs. 18A-18G are cutaway, top perspective views of a dose container assembly 20 in an inhaler 10 cooperating with a rotating piercing mechanism 200 according to other embodiments of the present invention. The dose container assembly 20 includes a dose container disk 30, a lower airway disk 40 and an upper airway disk 50 as described above and illustrated in **Figs. 2A-2B**. However, embodiments of the present invention are not limited to this dose container assembly configuration. For example, in other embodiments, the dose container assembly 20 can include the dose container disk 30 and only one of the lower airway disk 40 or the upper airway disk 50.

The illustrated dose container assembly 20 is rotatably secured within the inhaler housing 12. As described above with respect to **Figs. 3A and 3C**, the dose container disk 30, in some embodiments, has opposing upper and lower primary surfaces, a first row of circumferentially spaced apart dose containers 30c at a first radius and a second row of circumferentially spaced apart dose containers 30c at a second radius so that the first and second rows are concentric with respect to a center of the disk 30. The dose containers 30c contain dry powder therein and are defined by apertures 30a, which are sealed by sealants 36, 37 over and under the apertures 30a.

The piercing mechanism 200 is operably associated with the dose container assembly 20 and is configured to pierce the first and second sealants 36, 37 that seal a dose container 30c (see **Figs. 3C-3D**). The piercing mechanism 200 is rotatable such that it can serially alternate between the two rows of dose containers 30c. For example, the piercing mechanism 200 is configured to pierce the sealants 36, 37 over and under a dose container 30c in a first row of dose container apertures 30a, and then rotate and pierce the sealants 36, 37 over and under a dose container 30c in a second row of dose container apertures 30a.

As described above, the piercing mechanism 200 includes a

rotatable drum **210**, an elongate piercing member **220**, and a biasing member **230**. Also, as described above with respect to **Figs. 12A-12B**, the rotatable drum **210** has an open end **211**, an opposite closed end **212**, and a cylindrical wall **213** that extends from the closed end **212** and terminates at the open end **211**. The closed end **212** includes an aperture **214** formed therein in a location adjacent to the wall **213**, as illustrated. The elongate piercing member **220** is extended and retracted through the aperture **214**, as will be described below. Gear teeth **215** extend circumferentially around the drum wall **213** adjacent the open end **211**, as illustrated. A support member **216** extends outwardly from the closed end **212**, as illustrated, and is configured to support the piercing member **220**. In addition, a pair of diametrically opposed teeth **217** extend outwardly from the wall **213** below the gear teeth **215**.

The elongate piercing member **220** has a configuration as described above. Moreover, in some embodiments, the distal piercing portion can be a corkscrew piercer configured to pierce the sealants **36**, **37** with a straight vertical non-rotational movement, as illustrated and described with respect to **Figs. 14A-14B**, below. In some embodiments, the distal piercing portion can have a fluted piercer configured to pierce the sealants **36**, **37**, as illustrated and described with respect to **Figs. 14C-14D**.

The elongate piercing member **220** is movably associated with the support member **216** in the drum **210** so as to be capable of reciprocal movement between piercing and non-piercing positions. In the piercing position, the piercing member distal piercing portion **221** extends through the drum aperture **214** and through the first and second sealants **36**, **37** of a dose container **30c** (**Figs. 13C**, **13D**). In a retracted position, the distal piercing portion **221** is retracted above a lower surface of the drum aperture **214**, such that the drum **210** is free to rotate. As described above, a coil spring **230** (**Fig. 11**) serves the function of a biasing member that is configured to urge the piercing member **220** toward the fully retracted position.

Figs. 18A-18G illustrate an alternative embodiment to the rotating piercing mechanism **200**, discussed above. As shown, a ring gear **240** is rotatably secured within the inhaler housing **12**, and includes multiple sets of teeth **242a**, **242b**, etc., that are circumferentially spaced-apart from each other along an outer perimeter **240a**, thereof. The illustrated ring gear **240** includes an

inner perimeter **240b** having a plurality of spaced-apart steps **244**. Each step **244** includes an end **244a** and a tapered portion **244b** extending away from the end **244a**. As described above, each end **244a** of a step **244** is configured to be engaged by a pawl **268** associated with the actuator **360** of the inhaler **10**. The tapered portion **244b** of each step **244** allows the pawl **268** to slide along the step **244** and engage the end **244a**.

The illustrated actuator **360** includes a ramp **362** having a pair of spaced-apart first and second inclined portions **362a**, **362b**. The piercing member **220** also includes a pair of opposing arms **364** extending outwardly therefrom, as illustrated in **Fig. 18F**. These arms **364** are configured to engage the respective inclined portions **362a**, **362b** of the ramp **362**, as will be described below.

The actuator **360** is movable by a user of the inhaler **10** between first (**Fig. 18A**) and second (**Fig. 18E**) positions. Movement of the actuator **360** from the first position to the second position causes rotation of the ring gear **240** by a predetermined amount. As is shown, this predetermined amount includes four stages of rotation. During a first stage of rotation of the ring gear **240** via the actuator **360**, a first set of ring gear teeth **242a** cooperates with the drum gear teeth **215** and rotates the drum **210** such that the piercing member **220** overlies a dose container **30c**. This first stage of rotation is illustrated in **Figs. 18A-18B**. In the illustrated embodiment, the drum **210** is rotated counterclockwise by ninety degrees (90°) during the first stage of rotation of the ring gear **240**. As illustrated in **Fig. 18A**, at the beginning of the first stage of rotation, the arms **364** are oriented such that they do not engage any portion of the actuator **360**. The rotation of the ring gear **240** during the first stage causes rotation of the drum **210** and piercing mechanism **200** such that the arms **364** are in position to engage the ramp **362** (**Fig. 18B**).

During the second stage of rotation of the ring gear **240**, the arms **364** engage the respective inclined portions **362a**, **362b** of the ramp **362**. Continued rotation of the ring gear **240** via the actuator **360** causes the inclined portions **362a**, **362b** to urge the arms **364** downward, thereby causing the piercing member **220** to move downwardly to the piercing position (**Fig. 18C**).

During the third stage of rotation, the piercing member **220** is moved to the retracted position. This is illustrated in **Fig. 18D**. As illustrated,

continued clockwise rotation of the ring gear **240** via the actuator **360** causes the arms **364** to disengage from the respective inclined portions **362a**, **362b** of the ramp **362**. The spring **230** (Fig. 11) then urges the piercing member **220** toward the fully retracted position.

5 During the fourth stage of rotation of the ring gear **240**, a second set of ring gear teeth **242b** cooperates with the drum gear teeth **215**. Continued rotation of the ring gear **240** via the actuator **360** causes the drum **210** to rotate such that the piercing member **220** does not overlie a dose container **30c**. At the end of the fourth stage of rotation of the ring gear **240**, the actuator **360** is in the
10 second position (Fig. 18E). In the illustrated embodiment, the drum **210** is rotated counterclockwise by ninety degrees (90°) during the fourth stage of rotation of the ring gear **240**. At the end of the fourth stage of rotation, the piercing member **220** is oriented such that the arms **364** do not engage any portion of the actuator **360**. At this point, a dose is ready for inhalation by a user
15 and the closed end **212** of the drum **210** blocks the aperture **55**.

 After inhalation of the powder, the user moves the actuator **360** from the second position (Fig. 18E) back to the first position (Fig. 18G) (i.e., counterclockwise). The inhaler **10** is now ready for another cycle.

 Figs. 19A-19B, 20, 21A-21B, 22, 23A-23B, 24A-24B, 25, and
20 **26A-26B** illustrate an alternative embodiment to the rotating piercing mechanism **200**, discussed above. As shown, a ring gear **240** is rotatably secured within the inhaler housing **12**, and includes multiple sets of teeth **242a**, **242b**, etc., that are circumferentially spaced-apart from each other along an outer perimeter **240a**, thereof. The illustrated ring gear **240** includes an inner perimeter **240b** having a
25 plurality of spaced-apart steps **244**. Each step **244** includes an end **244a** and a tapered portion **244b** extending away from the end **244a**. As described above, each end **244a** of a step **244** is configured to be engaged by a pawl **268**
associated with the actuator **360** of the inhaler **10**. The tapered portion **244b** of
each step **244** allows the pawl **268** to slide along the step **244** and engage the
30 end **244a**.

 The illustrated actuator **360** includes a pair of spaced-apart first and second ramps **362a**, **362b** that extend outwardly from surface **361**. The piercing member **220** also includes a pair of opposing arms **364** extending outwardly therefrom, as illustrated. These arms **364** are configured to engage

the respective ramps **362a**, **362b**, as will be described below.

Each ramp **362a**, **362b** includes a first leg **370** that is attached to the actuator surface **361** and a second leg **372** that has a free end **372a**. The free end **372a** of each second leg **372** is in contacting relationship with the actuator surface **361** or is closely located relative to the actuator surface **361** so as to make contact with the actuator surface **361** during a certain stage of actuator operation, as described below. In addition, each ramp second leg **372** is configured to deflect such that the free end **372a** is temporarily biased away from the actuator surface **361** during a certain stage of actuator operation, as described below.

The actuator **360** is movable by a user of the inhaler **10** between first (**Figs. 19A, 19B**) and second (**Figs. 23A, 23B**) positions. Movement of the actuator **360** from the first position to the second position causes rotation of the ring gear **240** by a predetermined amount. As is shown, this predetermined amount includes three stages of rotation of the ring gear **240**. During a first stage of rotation of the ring gear **240** via the actuator **360**, a first set of ring gear teeth **242a** cooperates with the drum gear teeth **215** and rotates the drum **210** such that the piercing member **220** overlies a dose container (not shown). This first stage of rotation of the ring gear **240** is illustrated in **Figs. 19A-19B** through **Figs. 21A-21B**. In the illustrated embodiment, the drum **210** is rotated clockwise (as viewed from above) by one hundred eighty degrees (180°) during the first stage of rotation of the ring gear **240**. As illustrated in **Figs. 19A-19B**, at the beginning of the first stage of rotation, the piercing mechanism arms **364** are oriented such that they are in contacting relationship with the actuator surface **361**. The rotation of the ring gear **240** during the first stage causes rotation of the drum **210** and piercing mechanism **200** such that the arms **364** rotate one hundred eighty degrees (180°) and again are oriented such that they are in contacting relationship with the actuator surface **361**, as illustrated in **Figs. 21A-21B**.

Upon completion of the first stage of rotation of the ring gear, the piercing member **220** overlies a dose container and the piercing mechanism arms **364** are in position to engage the ramps **362a**, **362b** (**Fig. 21B**). Continued rotation of the ring gear **240** via the actuator **360** (i.e., the second stage of rotation) causes the ramp second legs **372** to urge the arms **364** downward,

thereby causing the piercing member **220** to move downwardly to the piercing position (**Fig. 22**) and into the dose container.

Continued rotation of the ring gear **240** via the actuator **360** (i.e., the third stage of rotation) causes the arms **364** to disengage from the ramps **362a**, **362b** such that the piercing member **220** moves upwardly under the force of the biasing member **230** (**Figs. 23A-23B**) and such that arms **364** contact actuator surface **363** (**Fig. 23A**). Actuator surface **363** is closer to the disk assembly **20** (not shown) than actuator surface **361**, as illustrated in **Fig. 19A**. Thus, when arms **364** are in contact with actuator surface **363**, the piercing member **220** is partially retracted from a dose container and the function of blocking powder from falling out of the airway channel **51** (**Fig. 5A**) should the inhaler **10** be inverted, as described above. At the end of the third stage of rotation of the ring gear **240**, the actuator **360** is at the second position.

At this point of operation (when the actuator **360** is in the second position), the user inhales powder from the dose container. After inhalation of the powder, the user moves the actuator **360** from the second position (**Figs. 23A-23B**) back to the first position (i.e., counterclockwise). During movement of the actuator **360** from the second position back to the first position, the ring gear **240** is held stationary and the piercing member **220** fully retracts from the dose container. The biasing member **230** urges the piercing mechanism **200** upwardly as described above. Thus, as the actuator **360** is rotated back to the first position, the piercing mechanism arms **364** are in contact with the actuator surface **363** and then actuator surface **361**, which is further away from the disk assembly, as a result of urging by the biasing member **230**. When the arms **364** are in contact with the actuator surface **361**, the piercing member **220** is fully retracted from the dose container.

As the actuator **360** is rotated back to the first position, the piercing member **220** does not rotate. The arms **364** of the piercing mechanism **200**, which are in contact with actuator surface **361**, slide between the ramp first legs **370** and under the second legs **372**. Each arm **364** causes a respective second leg **372** to deflect such that the arm can slide between the leg free end **372a** and the actuator surface **361** such that the piercing mechanism can move relative to the actuator **360** as illustrated in **Figs. 24A-24B** through **26A-26B**. The second legs **372** are resilient in that they return to a non-deflected position such that the

free end **372a** is in contacting relationship with the actuator surface **361** or is in close relationship therewith as described above after the arms **364** pass between the free ends **372a** and the actuator surface **361**. Continued counterclockwise movement of the actuator **360** returns the piercing mechanism **200** to the first position. The inhaler **10** is now ready for another cycle.

Certain embodiments may be particularly suitable for dispensing medication to respiratory patients, diabetic patients, cystic fibrosis patients, or for treating pain. The inhalers may also be used to dispense narcotics, hormones and/or infertility treatments.

10 A dry powder inhaler, comprising:
a circular dose container disk assembly having a plurality of circumferentially spaced apart radially oriented airway channels aligned with a plurality of circumferentially spaced apart sealed drug chambers with dry powder therein held in first and second concentric rows of different radius, wherein prior
15 to active dispensing, the airway channels are drug free;

a mouthpiece configured to rotatably engage an outer perimeter of the dose container disk to communicate with the airway channels to entrain dry powder from an opened drug chamber to deliver dry powder to a user;
a piercing mechanism configured to open the dose container chambers to
20 release the dry powder therein;

an indexing mechanism in communication with the circular dose disk;

a mouthpiece cover in communication with the indexing mechanism and/or piercing mechanism whereby movement of the mouthpiece cover actuates the indexing mechanism to rotate the disk and/or move the
25 piercing mechanism to alternately open a dose container on a first row then a dose container on the second row.

A method of operating an inhaler, comprising:

30 providing a dose container disk having opposing upper and lower primary surfaces, a first row of circumferentially spaced apart dose containers at a first radius and a second row of circumferentially spaced apart dose containers at a second radius so that the first and second rows are concentric with respect to a center of the disk, wherein the dose containers have dry powder therein, wherein each dose container terminates at a respective aperture in the upper

surface and at a respective aperture in the lower surface, wherein a first flexible sealant resides over the apertures in the upper surface, and a second flexible sealant resides over the apertures in the lower surface;

rotating a piercing mechanism to a position above a dose container
5 in the a row;

advancing a piercing mechanism to open both sealants and
release dry powder from a dose container;

retracting the piercing mechanism from the dose container; and

rotating the piercing mechanism to a position not above a dose
10 container in either row.

The following exemplary claims are presented in the specification to support one or more devices, features, and methods of embodiments of the present invention. While not particularly listed below, Applicant preserves the right to claim other features shown or described in the application.

15 The foregoing is illustrative of the present invention and is not to be construed as limiting thereof. Although a few exemplary embodiments of this invention have been described, those skilled in the art will readily appreciate that many modifications are possible in the exemplary embodiments without materially departing from the teachings and advantages of this invention.

20 Accordingly, all such modifications are intended to be included within the scope of this invention as defined in the claims. The invention is defined by the following claims, with equivalents of the claims to be included therein.

THAT WHICH IS CLAIMED IS:

1. A dry powder inhaler, comprising:

a dose container disk having a plurality of circumferentially spaced apart dry powder drug chambers arranged in first and second concentric rows of different radius; and

5 a piercing mechanism configured to open a dry powder drug chamber on the first row then open a dry powder chamber on the second row.

2. The dry powder inhaler of Claim 1:

10 wherein the dose container disk is part of a dose container assembly that is rotatably secured within a housing;

wherein the dose container disk has opposing upper and lower primary surfaces, a first row of circumferentially spaced apart apertures associated with dose containers at a first radius and a second row of circumferentially spaced apart apertures associated with dose containers at a second radius so that the first and second rows are concentric with respect to a center of the disk, a first flexible sealant residing over the apertures in the upper surface, a second flexible sealant residing over the apertures in the lower surface, and wherein the dose containers have dry powder therein; and

15 wherein the piercing mechanism is operably associated with the dose container assembly and is configured to serially alternate between rows to pierce the sealants of a dose container in the first row, then pierce the sealants of a dose container in the second row.

25 3. The dry powder inhaler of Claim 2, wherein the piercing mechanism comprises:

a rotatable drum having an open end, an opposite closed end, and a cylindrical wall extending from the closed end and terminating at the open end, wherein the closed end includes an aperture formed therein, and wherein gear teeth extend circumferentially around the wall adjacent the open end; and

30 an elongate piercing member capable of reciprocal movement between piercing and non-piercing positions, wherein the piercing member includes a distal piercing portion and a proximal head portion, wherein the distal

piercing portion extends through the drum aperture and through the first and second sealants when the piercing member is in a piercing position, and wherein the distal piercing portion is retracted above a lower surface of the drum aperture when in a retracted position.

5

4. The dry powder inhaler of Claim 3, wherein the piercing mechanism comprises a biasing member configured to urge the piercing member toward a retracted position.

10

5. The dry powder inhaler of Claim 3, further comprising a ring gear rotatably secured within the housing, and wherein the drum gear teeth cooperate with the ring gear such that rotation of the ring gear by a predetermined amount causes the drum to rotate such that the piercing member moves from a position overlying a dose container in one row to a position

15

6. The dry powder inhaler of Claim 3, further comprising a ring gear rotatably secured within the housing, and wherein the drum gear teeth cooperate with the ring gear such that rotation of the ring gear by a predetermined amount causes the drum to rotate about one-hundred eighty degrees (180°).

20

7. The dry powder inhaler of Claim 5, wherein the ring gear comprises sets of teeth circumferentially spaced-apart.

25

8. The dry powder inhaler of Claim 5, wherein the dose container assembly comprises gear teeth on an outer perimeter thereof, wherein the drum cylindrical wall comprises a pair of one or more teeth extending outwardly from the wall in diametric opposition that are configured to engage the dose container assembly gear teeth, and wherein rotation of the drum causes rotation of the dose container assembly.

30

9. The dry powder inhaler of Claim 5, further comprising an actuator that is movable between first and second positions, wherein movement

of the actuator from the first position to the second position causes the piercing member to pierce the sealants over and under a dose container and then move to a partially retracted position, and wherein movement of the actuator from the second position to the first position causes the piercing member to retract and
5 the ring gear to move the predetermined amount such that the piercing member rotates from a position overlying a dose container in one row to another position overlying a dose container in the other row.

10 10. The dry powder inhaler of Claim 9, wherein rotation of the piercing member causes the dose container assembly to rotate relative to the piercing mechanism.

15 11. The dry powder inhaler of Claim 5, further comprising an actuator that is movable between first and second positions, wherein movement of the actuator from the first position to the second position causes the ring gear to move the predetermined amount such that the piercing member rotates from a position overlying a dose container in one row to another position overlying a dose container in the other row, to pierce the sealants over and under a dose container, and then move to a partially retracted position, and wherein
20 movement of the actuator from the second position to the first position causes the piercing member to fully retract.

25 12. The dry powder inhaler of Claim 11, wherein rotation of the piercing member causes the dose container assembly to rotate relative to the piercing mechanism.

30 13. The dry powder inhaler of Claim 5, further comprising an actuator that is movable between first and second positions, wherein movement of the actuator from the first position to the second position causes the piercing member to pierce the sealants over and under a dose container, and wherein movement of the actuator from the second position to the first position causes the piercing member to retract and the ring gear to move the predetermined amount such that the piercing member rotates from a position overlying a dose container in one row to another position overlying a dose container in the other

row.

14. The dry powder inhaler of Claim 5, further comprising an actuator that is movable between first and second positions, wherein movement
5 of the actuator from the first position to the second position causes the ring gear to move the predetermined amount such that the piercing member rotates from a position overlying a dose container in one row to another position overlying a dose container in the other row, and to pierce the sealants over and under a dose container, and wherein movement of the actuator from the second position
10 to the first position causes the piercing member to fully retract.

15. The dry powder inhaler of Claim 9, wherein the ring gear comprises an inner perimeter having a plurality of spaced-apart steps, and wherein the actuator comprises a pawl that engages a step to cause rotation of
15 the ring gear when the actuator is moved from the second position to the first position.

16. The dry powder inhaler of Claim 9, wherein the actuator comprises a first portion that engages the head portion of the piercing member and that causes the piercing member to move to the piercing position, and an adjacent second portion causes the piercing member to move to the partially retracted position.
20

17. The dry powder inhaler of Claim 11, wherein the ring gear comprises an inner perimeter having a plurality of spaced-apart steps, and wherein the actuator comprises a pawl that engages a step to cause rotation of
25 the ring gear when the actuator is moved from the first position to the second position.

18. The dry powder inhaler of Claim 11, wherein the actuator comprises a first portion that engages the head portion of the piercing member and that causes the piercing member to move to the piercing position, and an adjacent second portion causes the piercing member to move to the partially retracted position.
30

19. The dry powder inhaler of Claim 1, wherein the first row of dose container apertures have centerlines that are circumferentially spaced apart from centerlines of the second row of dose containers.

5

20. The dry powder inhaler of Claim 3, wherein the piercing member comprises a corkscrew piercer configured to pierce the sealants with a straight vertical non-rotational movement.

10

21. The dry powder inhaler of Claim 3, wherein the piercing member comprises a fluted piercer configured to pierce the sealants.

22. The dry powder inhaler of Claim 21, wherein the fluted piercer comprises three or four lobes.

15

23. The dry powder inhaler of Claim 1, wherein the dose container comprises a dry powder having a pharmaceutically active agent, and wherein the agent comprises one or more of the following bronchodilators:

albuterol, salmeterol, ephedrine, adrenaline, fenoterol, formoterol, isoprenaline, metaproterenol, phenylephrine, phenylpropanolamine, pirbuterol, reproterol, rimiterol, terbutaline, isoetharine, tulobuterol, or (-)-4-amino-3, 5-dichloro-.alpha.-[[[6-[2-(2-pyridinyl) ethoxy] hexyl] methyl] benzenemethanol;

20

wherein the bronchodilator may be used in the form of salts, esters or solvates to thereby optimize the activity and/or stability of the medicament.

25

24. The dry powder inhaler of Claim 3, further comprising:
a ring gear rotatably secured within the housing and comprising sets of teeth circumferentially spaced-apart; and

30

an actuator that is movable between first and second positions, wherein movement of the actuator from the first position to the second position causes rotation of the ring gear by a predetermined amount,

wherein, during a first stage of the rotation, a first set of ring gear teeth cooperates with the drum gear teeth and rotates the drum such that the piercing member overlies a dose container,

wherein, during a second stage of the rotation, the piercing member is moved to the piercing position,

wherein, during a third stage of the rotation, the piercing member is moved to the retracted position, and

5 wherein, during a fourth stage of the rotation, a second set of ring gear teeth cooperates with the drum gear teeth and rotates the drum such that the piercing member does not overlie a dose container.

25. The dry powder inhaler of Claim 24, wherein the dose
10 container assembly comprises gear teeth on an outer perimeter thereof, wherein the drum cylindrical wall comprises a pair of one or more teeth extending outwardly from the wall in diametric opposition that are configured to engage the dose container assembly gear teeth, and wherein rotation of the drum causes rotation of the dose container assembly.

15

26. The dry powder inhaler of Claim 24,
wherein the actuator comprises a ramp;
wherein the piercing mechanism comprises at least one arm
extending outwardly therefrom;

20

wherein, during the second stage of the rotation, the at least one arm is contacted by the ramp to urge the piercing member to the piercing position; and

25

wherein, during the third stage of the rotation, the at least one arm disengages from the ramp and the piercing member is urged to the retracted position by a biasing member.

30

27. The dry powder inhaler of Claim 26, wherein the ramp comprises spaced-apart first and second inclined portions, wherein the at least one arm comprises a pair of arms extending outwardly from the piercing member in opposing relationship, and wherein, during the second stage of the rotation, each arm is contacted by a respective inclined portion to urge the piercing member to the piercing position.

28. The dry powder inhaler of Claim 24, wherein the drum is rotated by ninety degrees (90°) during the first stage, and wherein the drum is rotated by ninety degrees (90°) during the fourth stage.

5 29. The dry powder inhaler of Claim 3, further comprising:
a ring gear rotatably secured within the housing and comprising
sets of teeth circumferentially spaced-apart; and
an actuator that is movable between first and second positions,
wherein movement of the actuator from the first position to the second position
10 causes rotation of the ring gear by a predetermined amount,
wherein, during a first stage of the rotation, a first set of ring gear
teeth cooperates with the drum gear teeth and rotates the drum such that the
piercing member overlies a dose container,
wherein, during a second stage of the rotation, the piercing
15 member is moved to the piercing position, and
wherein, during a third stage of the rotation, the piercing member is
moved to a partially retracted position.

20 30. The dry powder inhaler of Claim 29,
wherein the actuator comprises a pair of ramps positioned in
adjacent, spaced-apart relationship;
wherein the piercing mechanism comprises a pair of arms
extending outwardly therefrom in opposing relationship;
wherein, during the second stage of the rotation, each arm is
25 contacted by a respective ramp to urge the piercing member to the piercing
position; and
wherein, during the third stage of the rotation, each arm
disengages from a respective ramp and the piercing member is urged to a
partially retracted position by a biasing member.

30 31. The dry powder inhaler of Claim 30, wherein each ramp
comprises a first leg attached to an actuator surface and a second leg having a
free end adjacent to the actuator surface, wherein, during the second stage of
the rotation, an arm is contacted by a respective second leg to urge the piercing

member to the piercing position, and wherein the second leg is configured to deflect such that a respective arm can pass between the free end and the actuator surface when the actuator is moved from the second position to the first position.

5

32. A method of operating an inhaler, comprising:

providing a dose container disk having opposing upper and lower primary surfaces, a first row of circumferentially spaced apart dose containers at a first radius and a second row of circumferentially spaced apart dose containers at a second radius so that the first and second rows are concentric with respect to a center of the disk, wherein the dose containers have dry powder therein, wherein each dose container terminates at a respective aperture in the upper surface and at a respective aperture in the lower surface, wherein a first flexible sealant resides over the apertures in the upper surface, and a second flexible sealant resides over the apertures in the lower surface;

10

15

advancing a piercing mechanism to open both sealants and release dry powder from a dose container;

retracting the piercing mechanism from the dose container; and

rotating the piercing mechanism to a position above a dose

20

container in the other row after the retracting step.

1/48

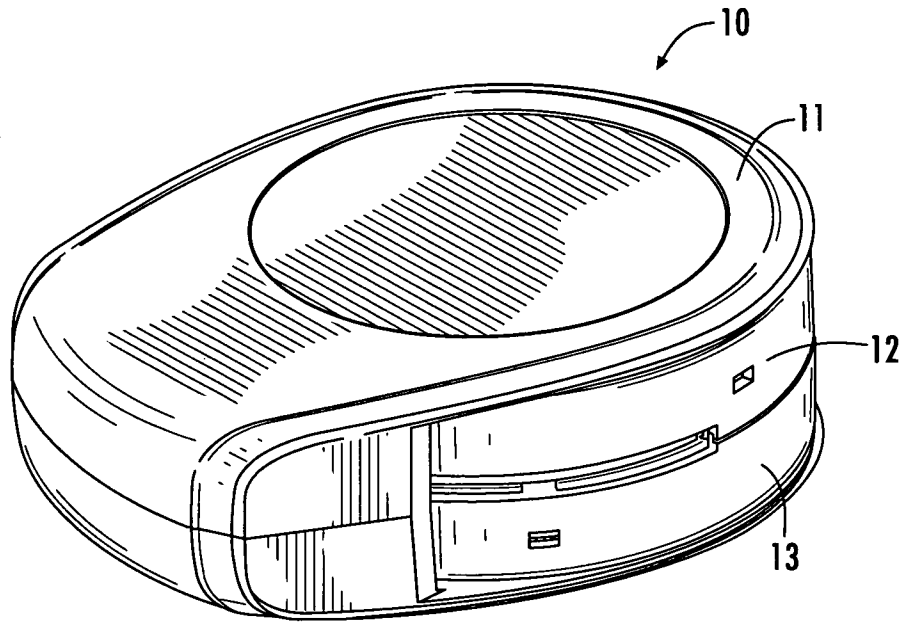


FIG. 1A

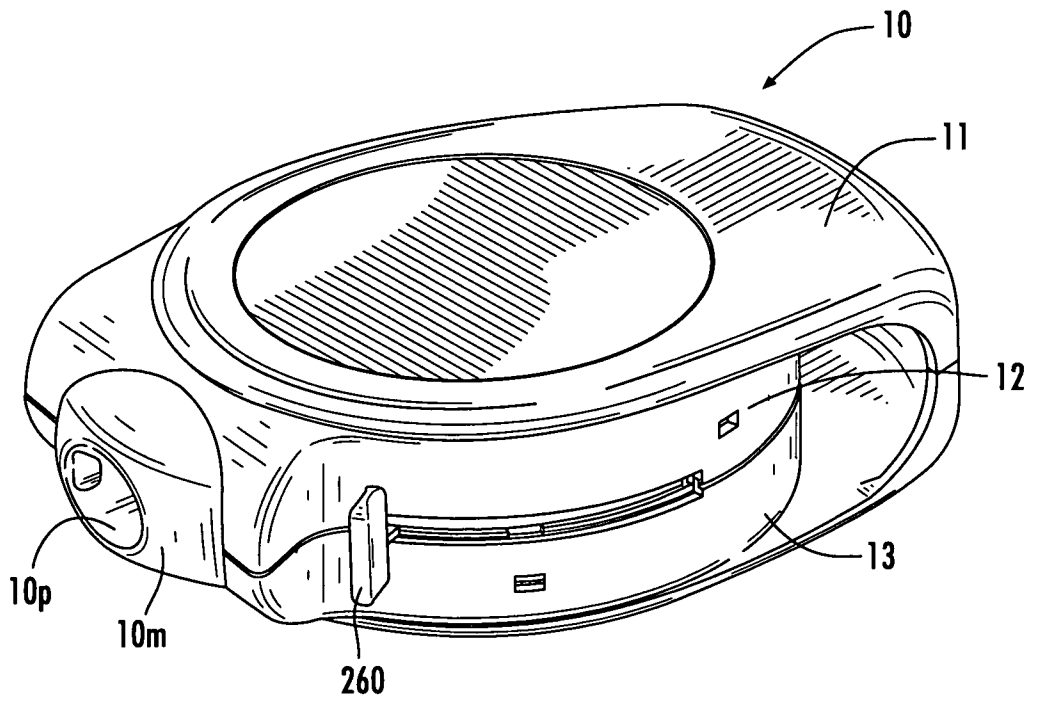


FIG. 1B

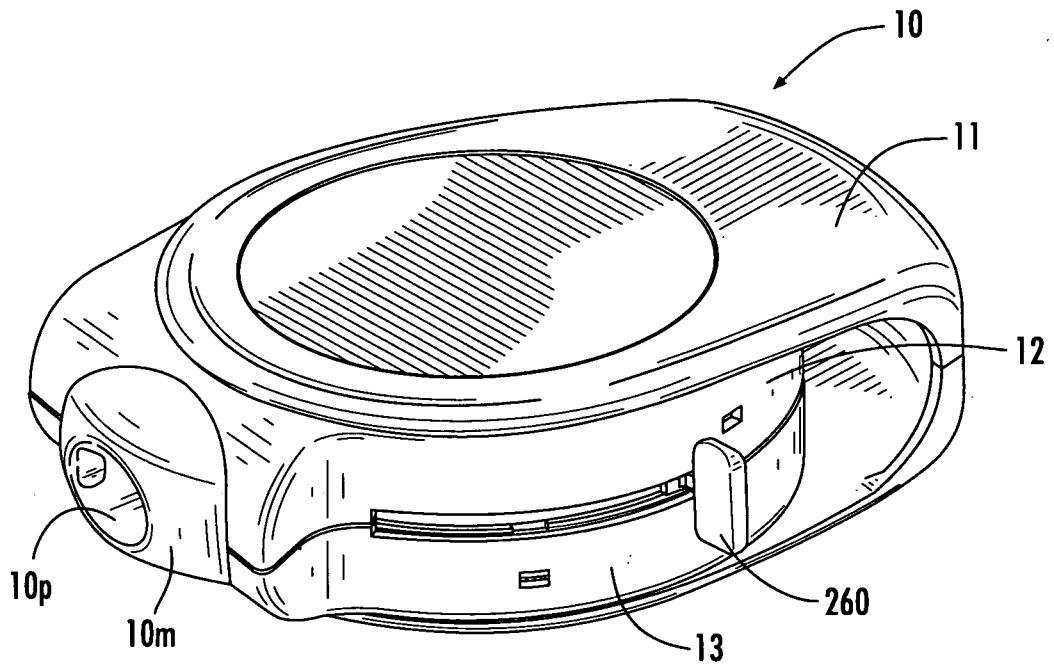


FIG. 1C

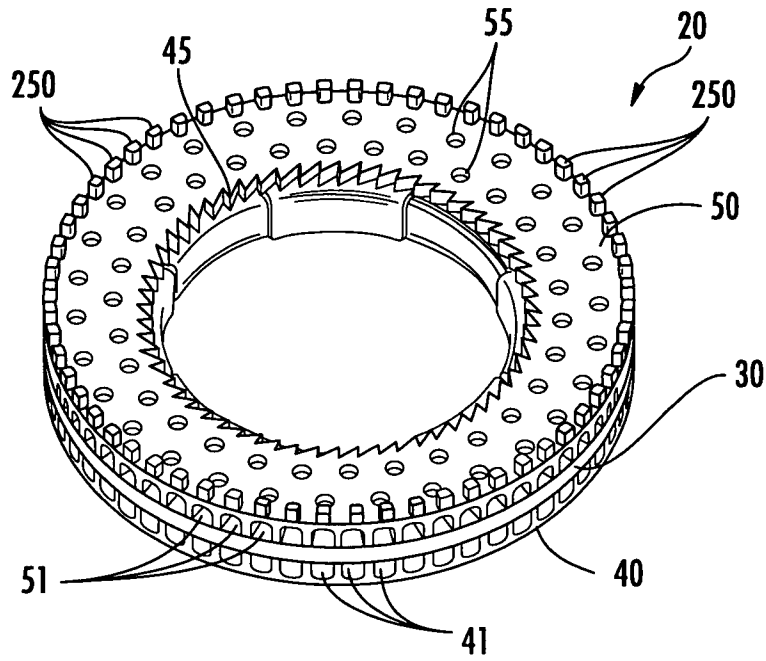


FIG. 2A

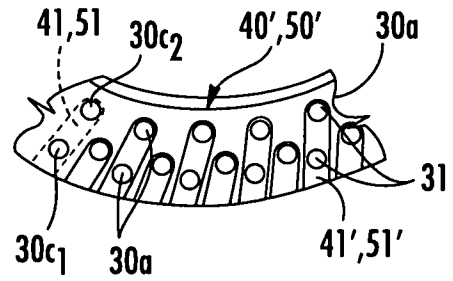


FIG. 2C

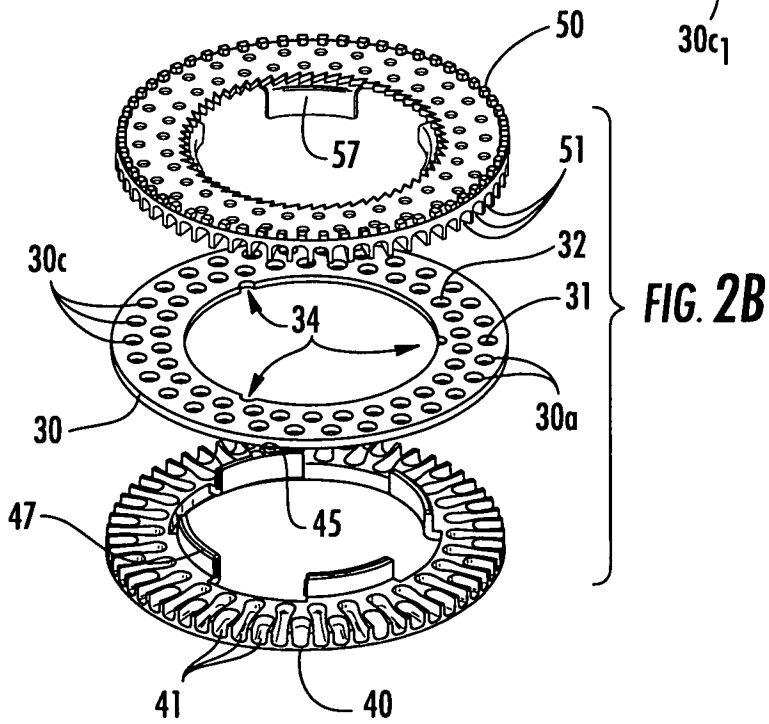


FIG. 2B

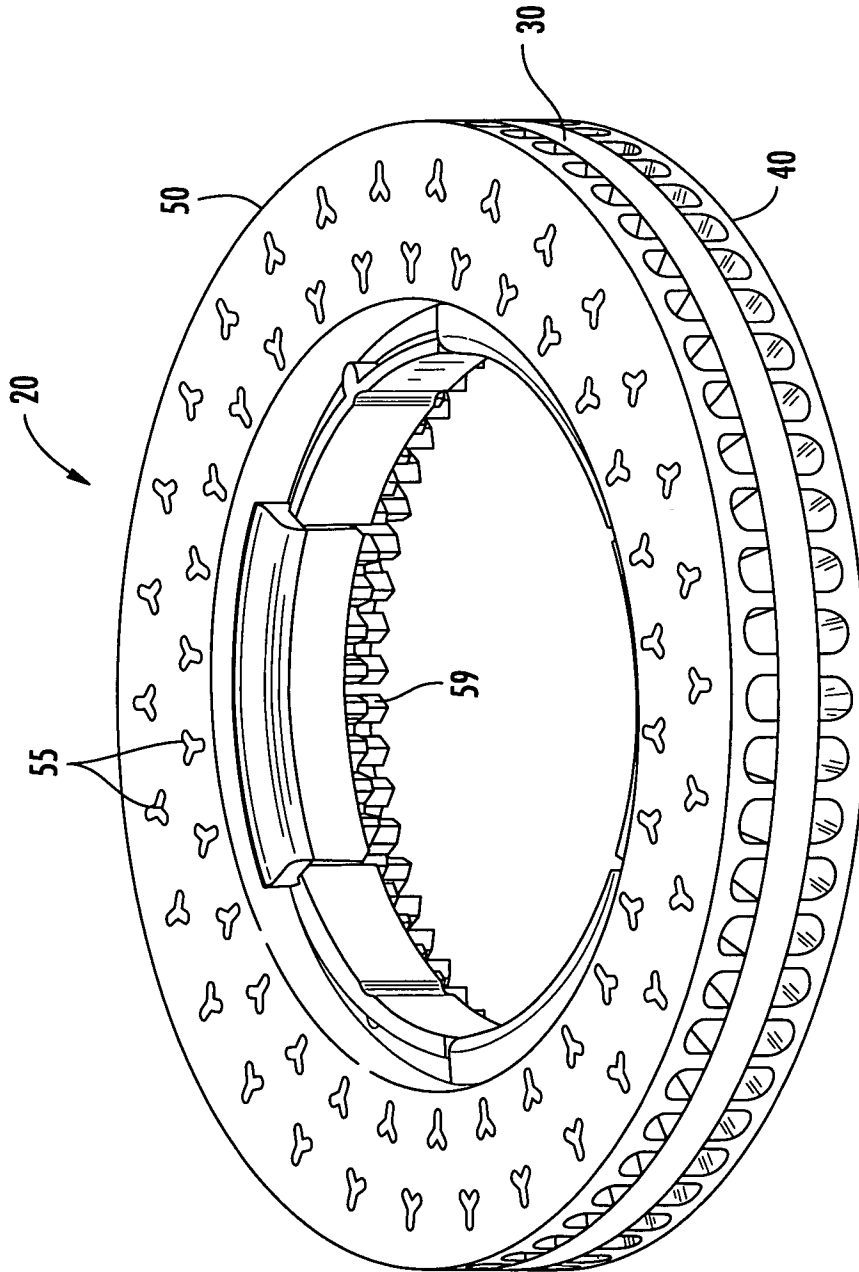


FIG. 2D

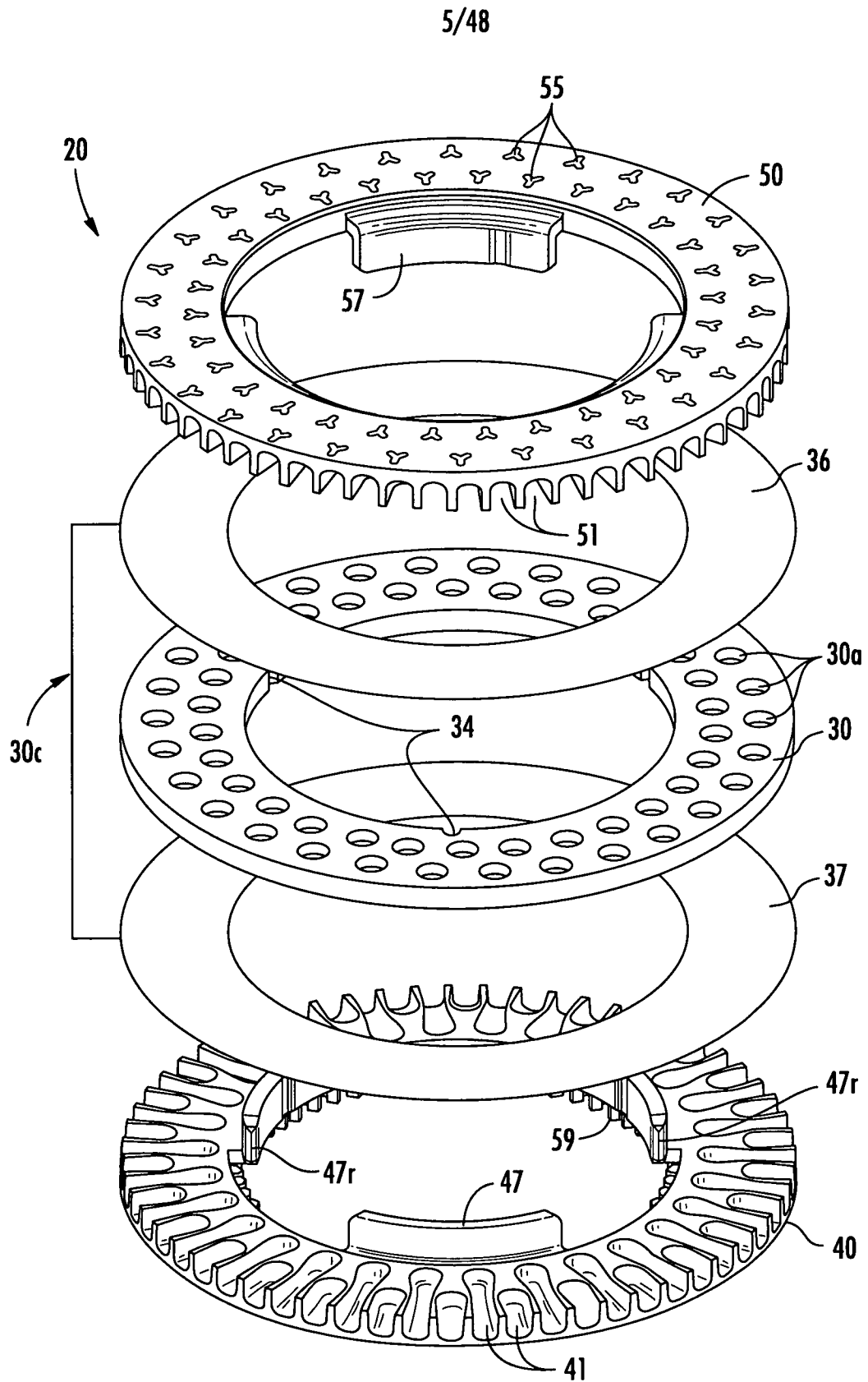


FIG. 2E

6/48

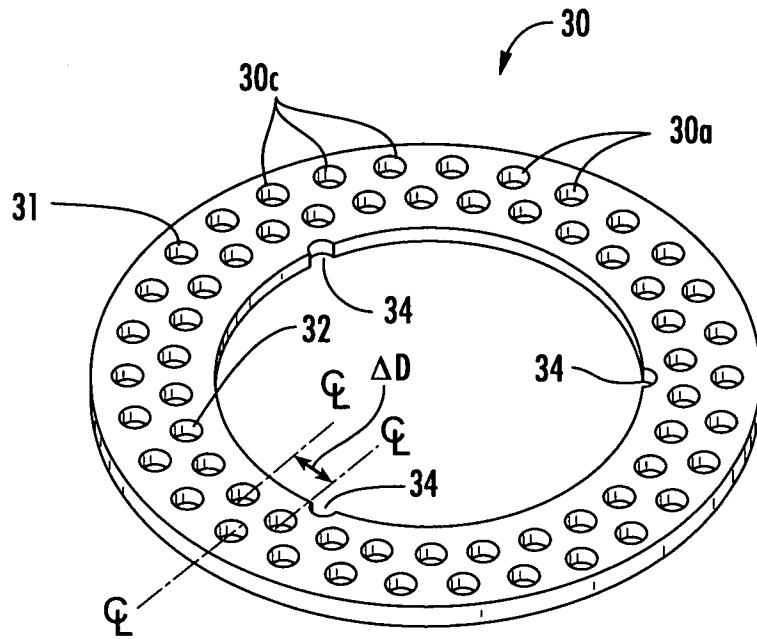


FIG. 3A

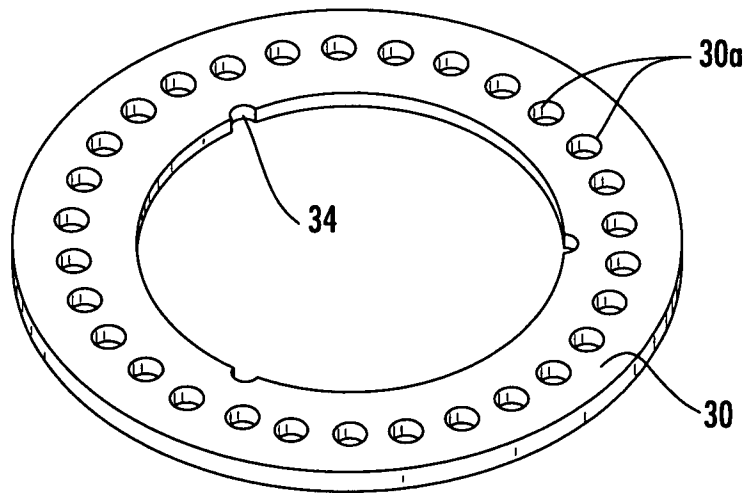


FIG. 3B

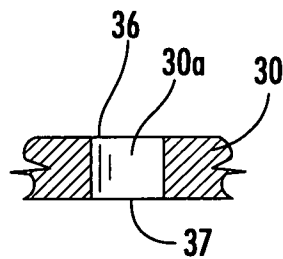


FIG. 3C

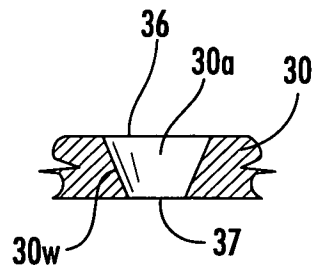


FIG. 3D

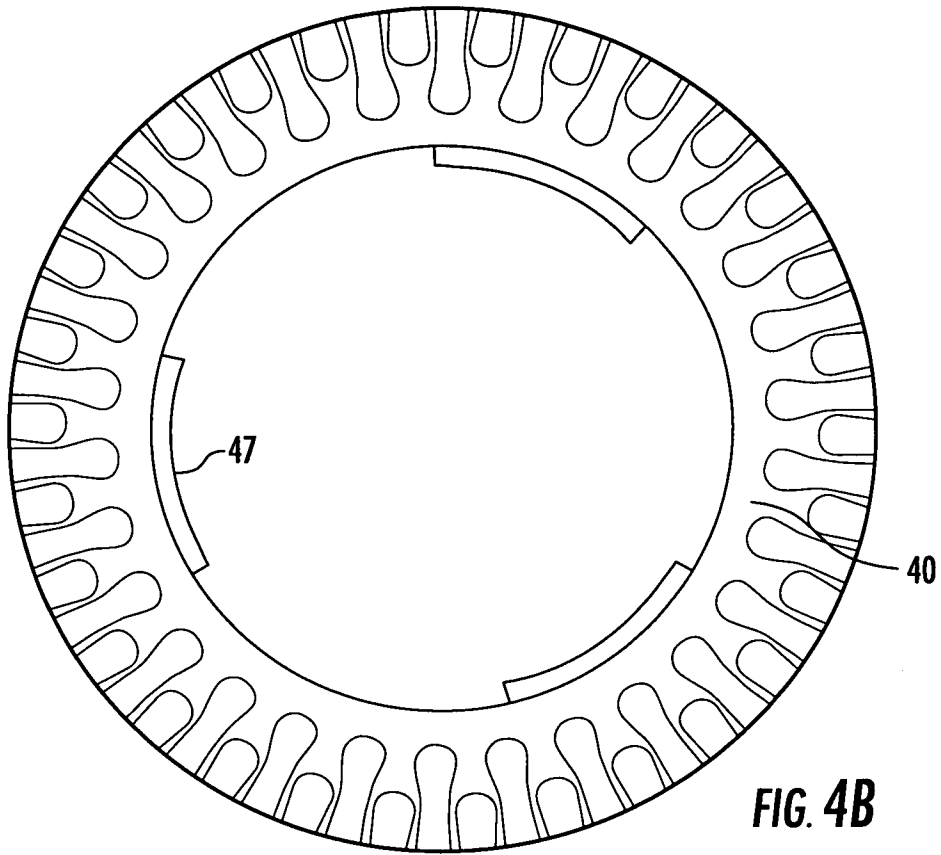


FIG. 4B

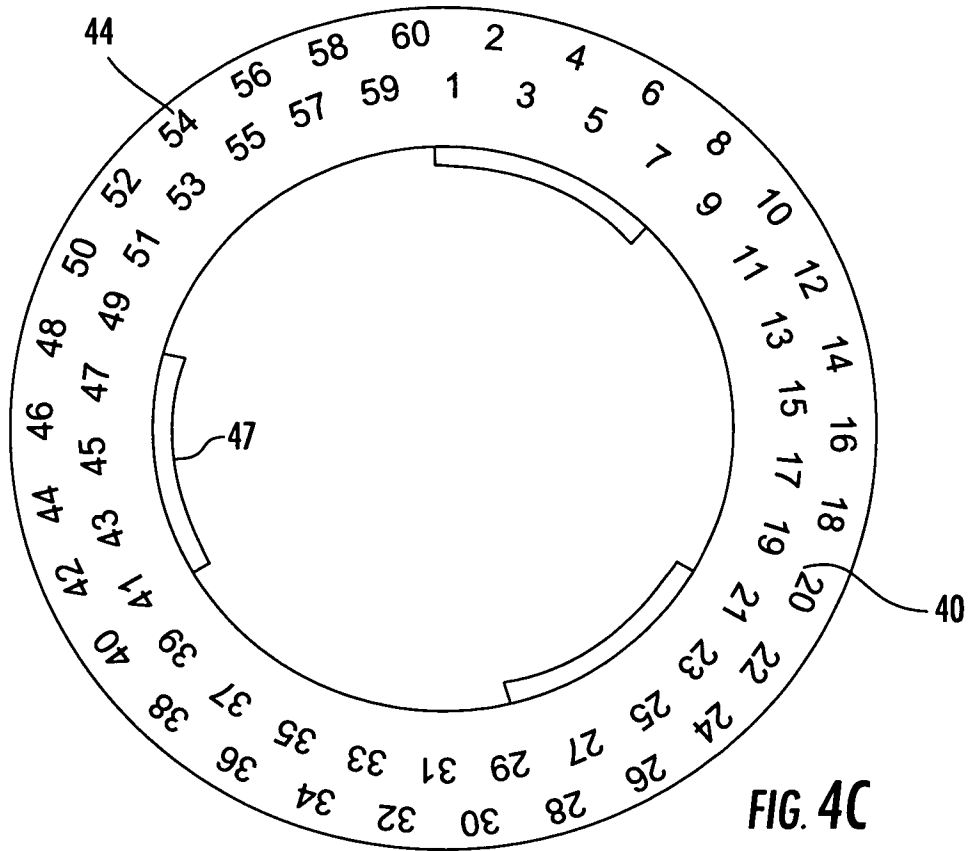


FIG. 4C

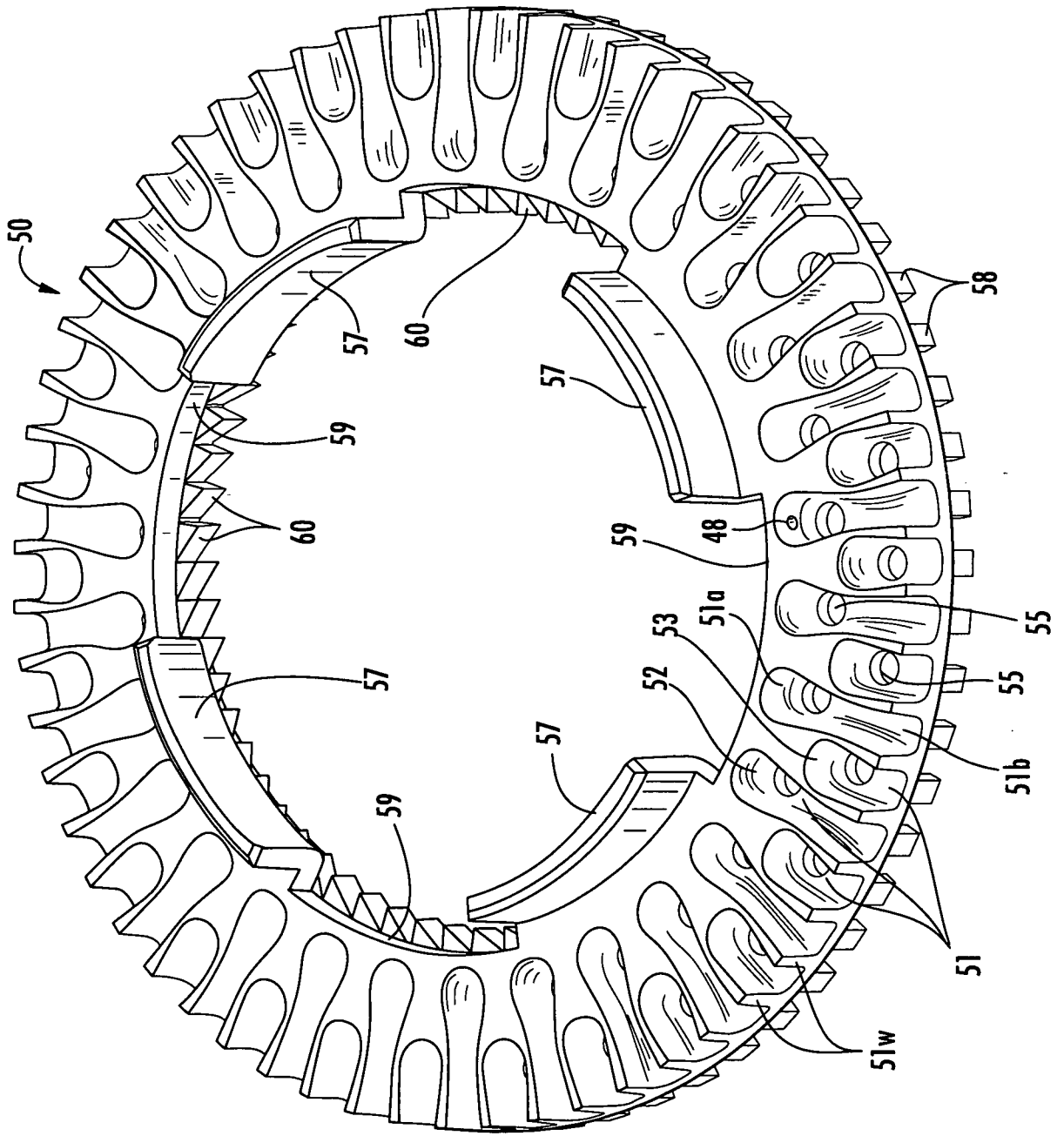
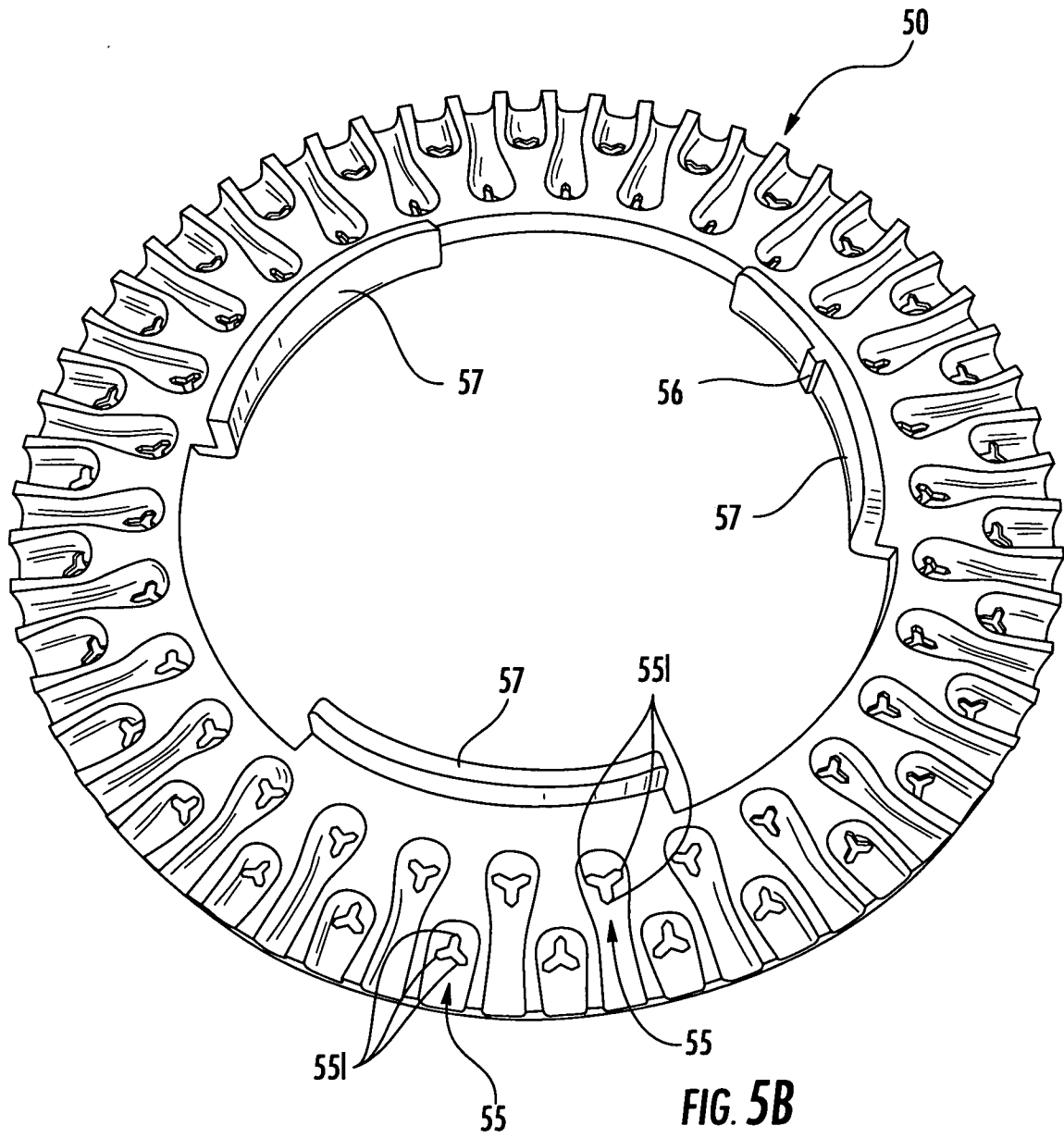


FIG. 5A



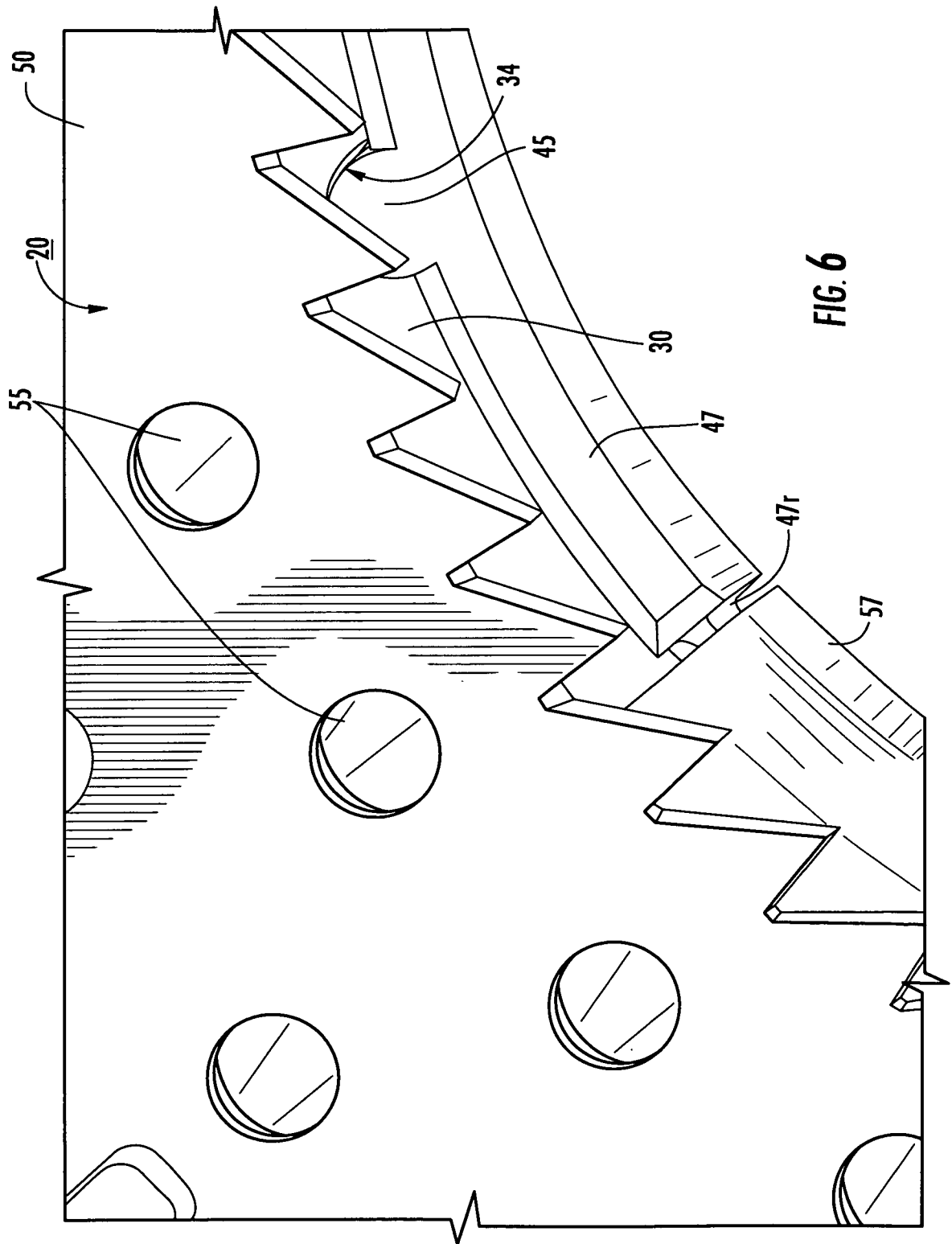


FIG. 6

12/48

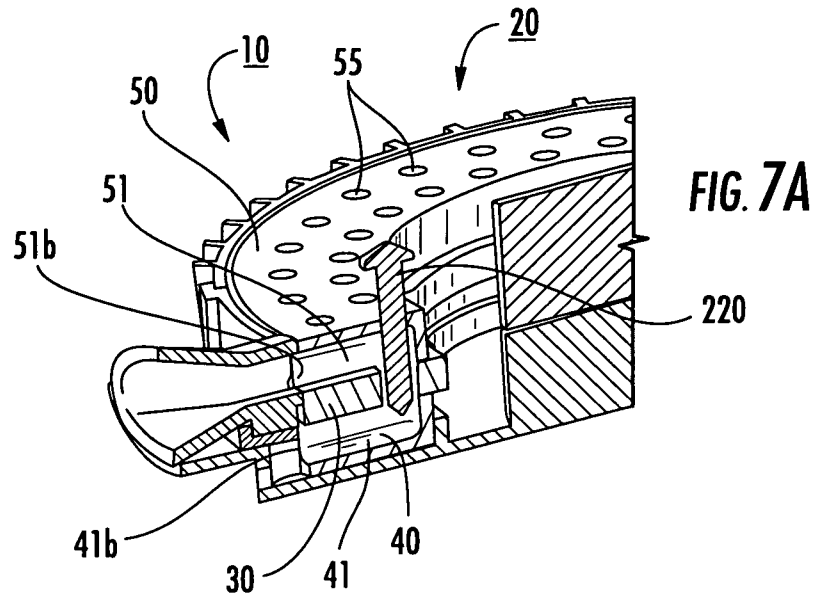


FIG. 7A

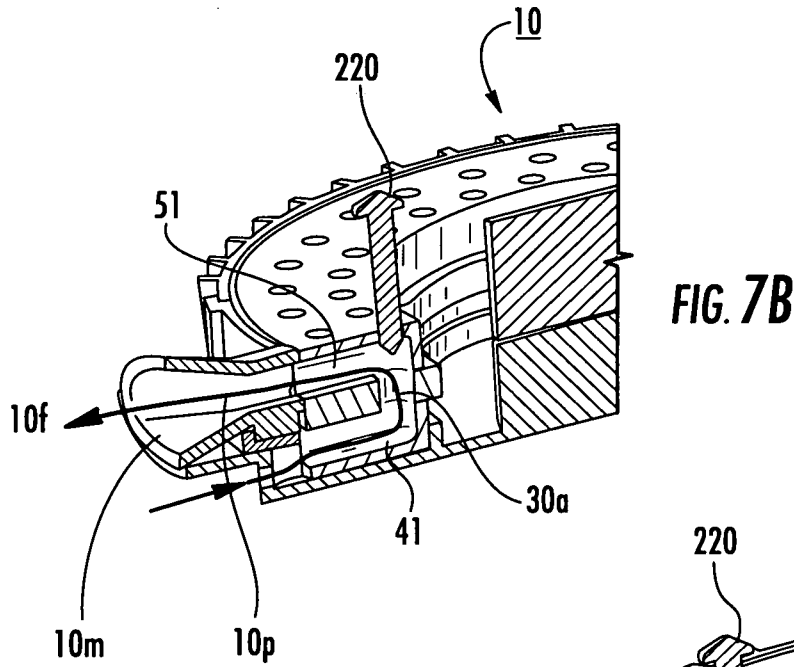


FIG. 7B

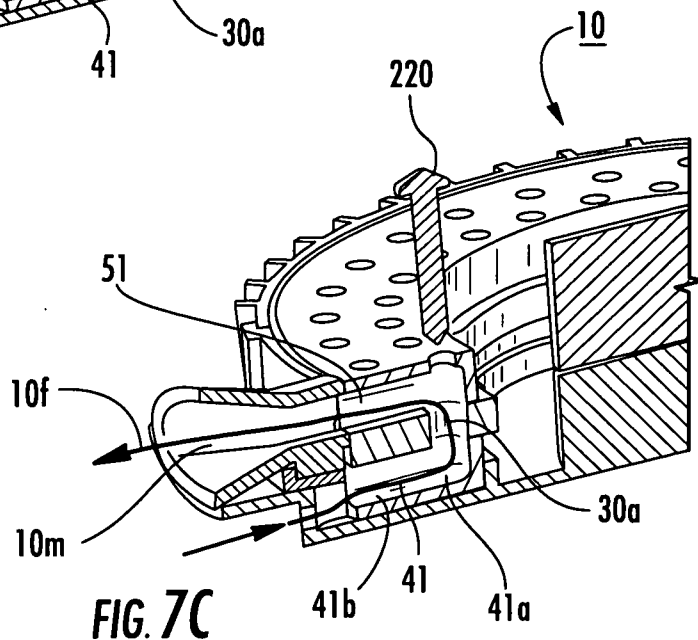


FIG. 7C

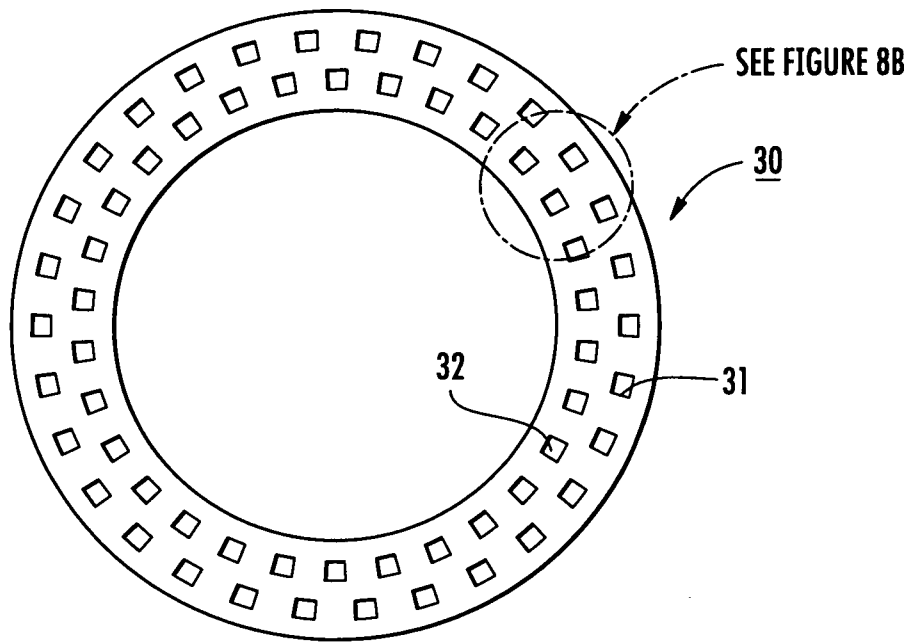


FIG. 8A

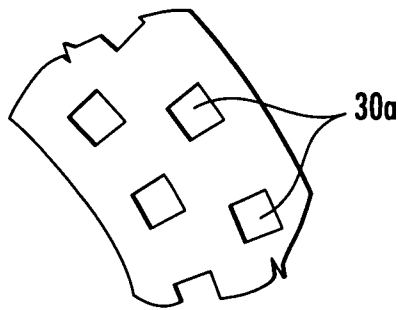


FIG. 8B

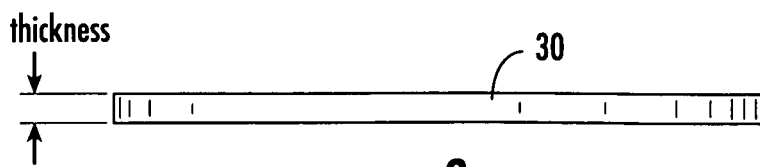
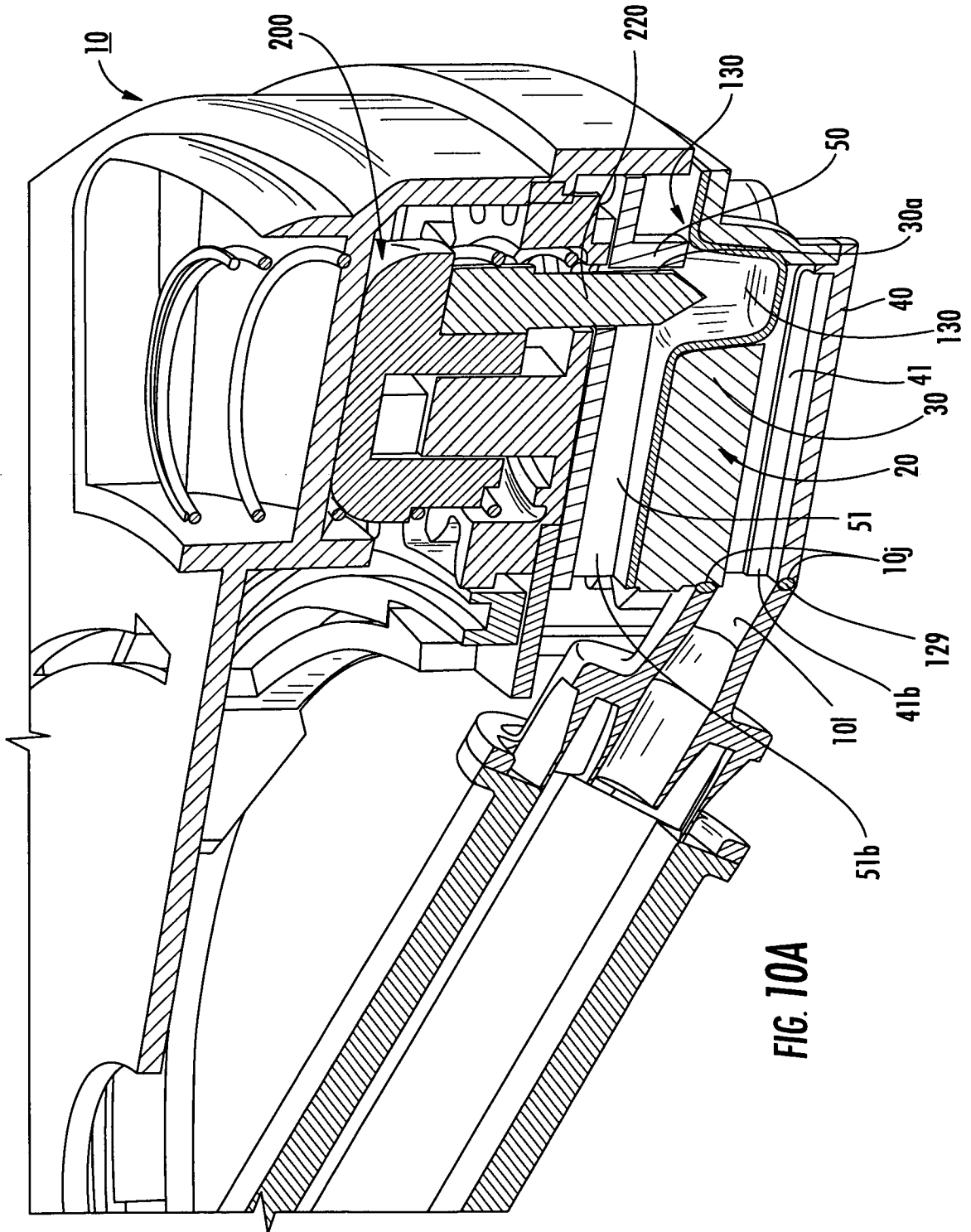


FIG. 9



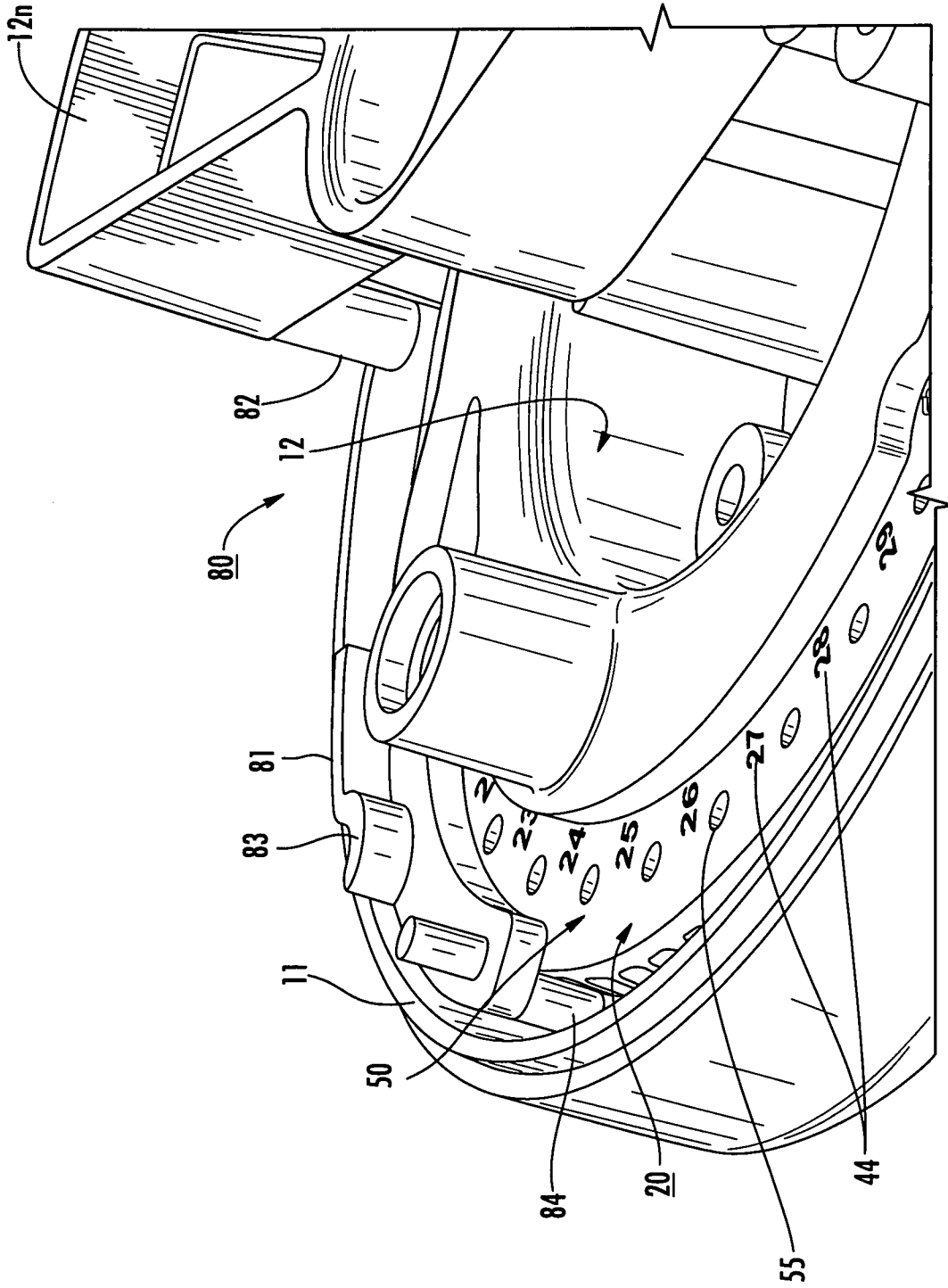


FIG. 10B

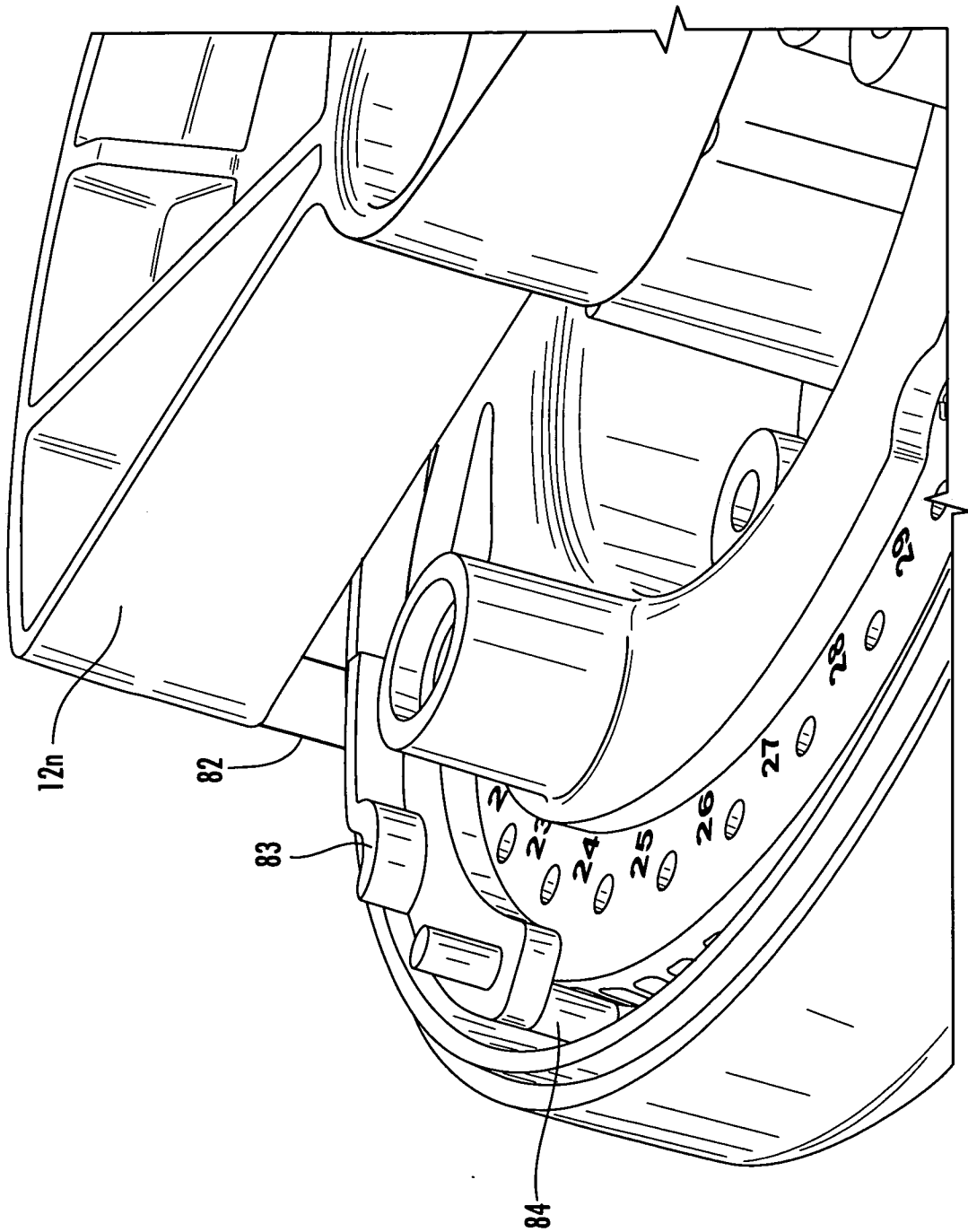


FIG. 10C

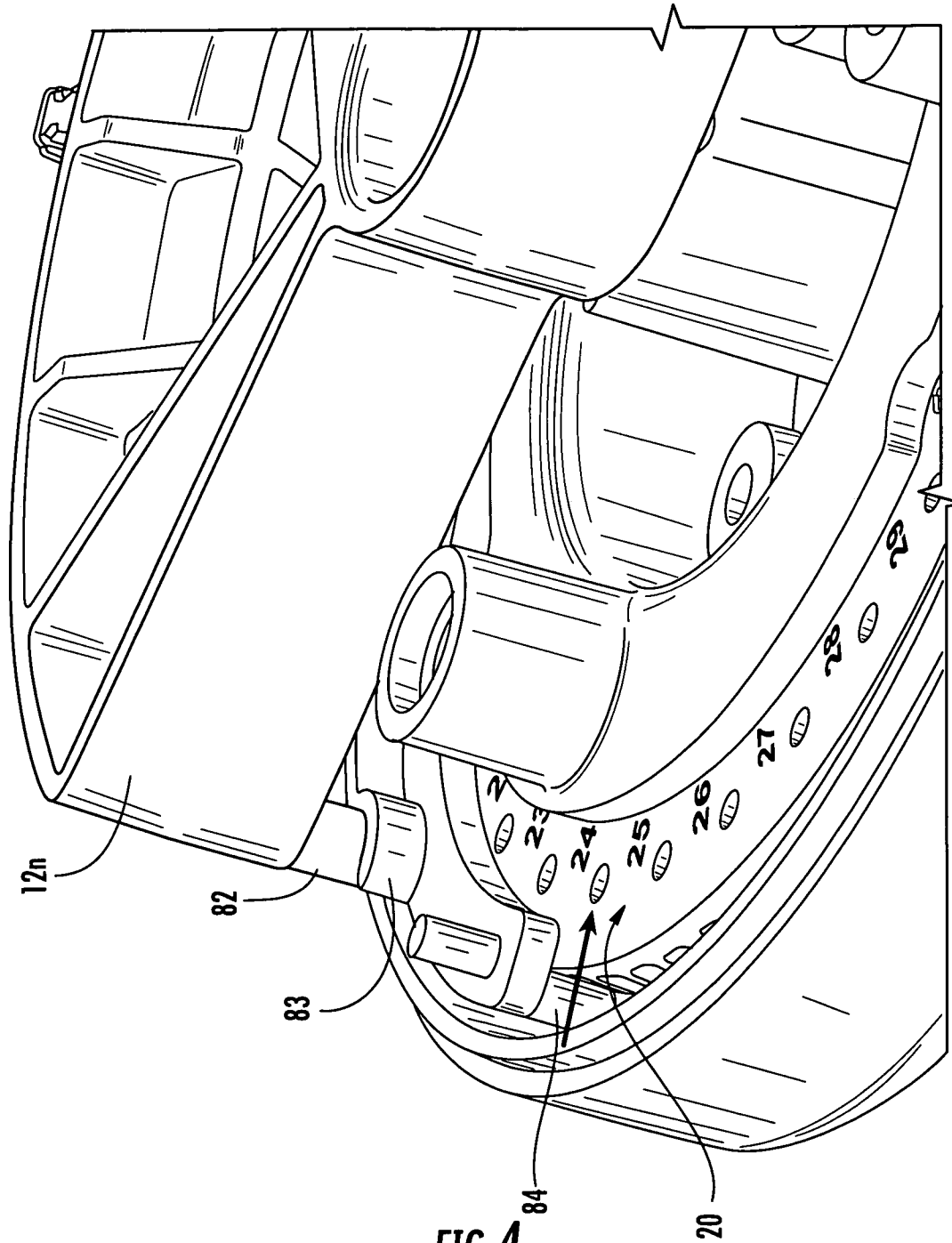


FIG. 4

FIG. 10D

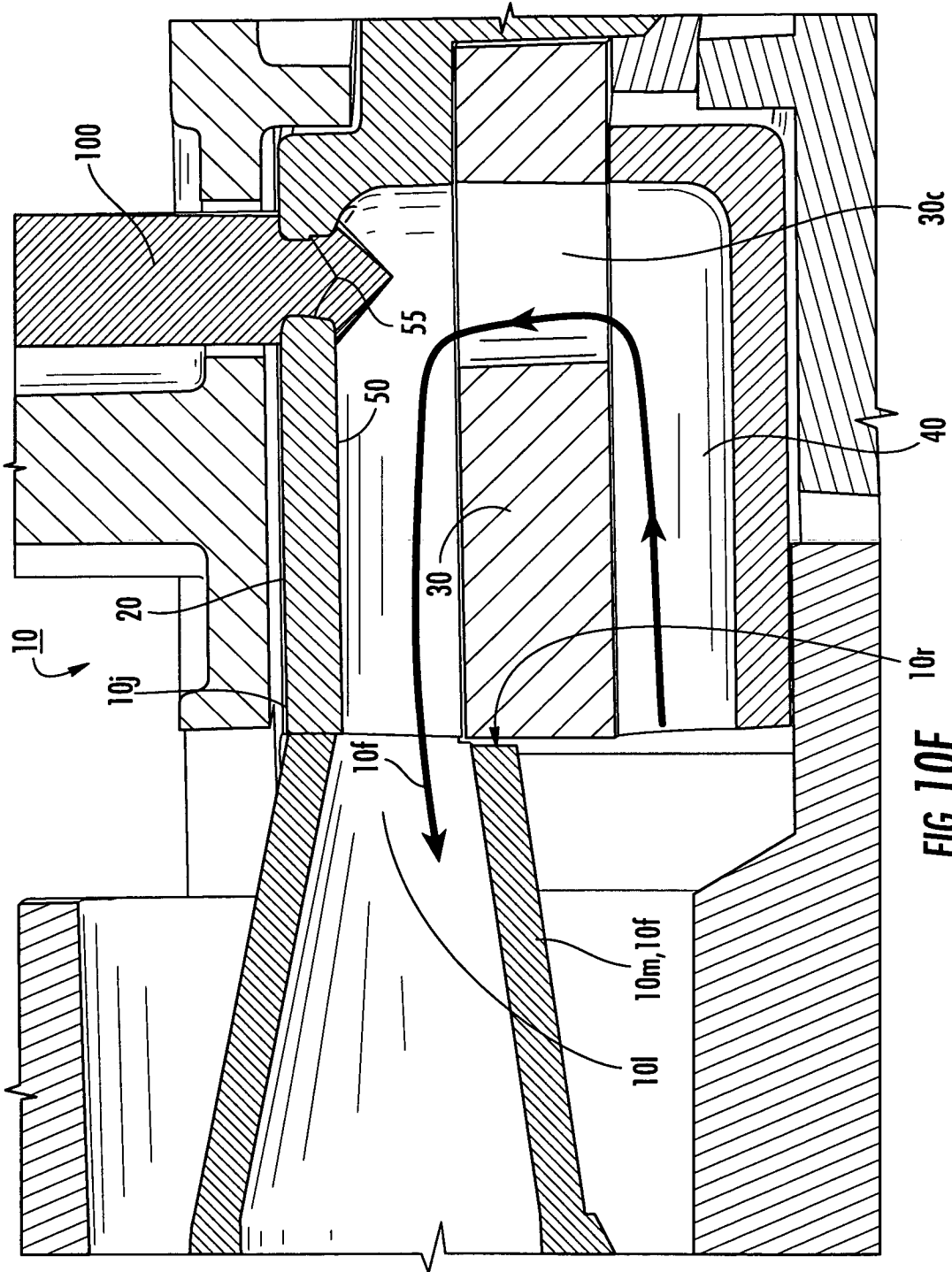
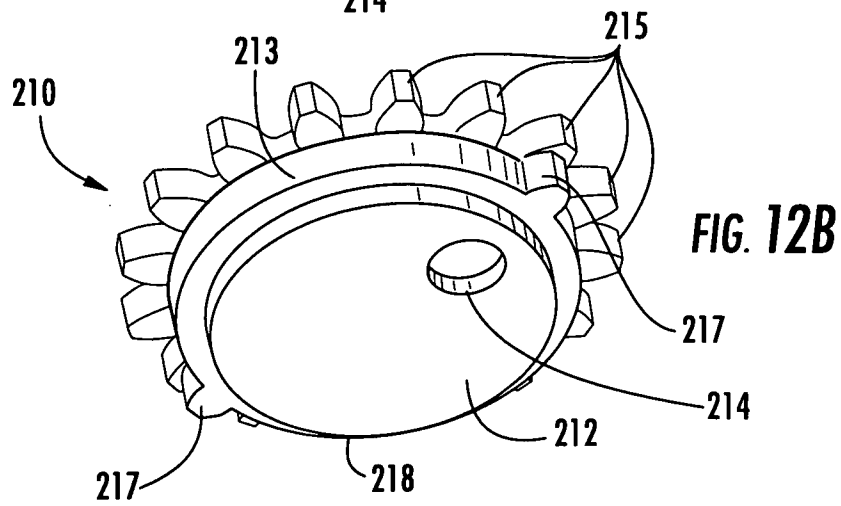
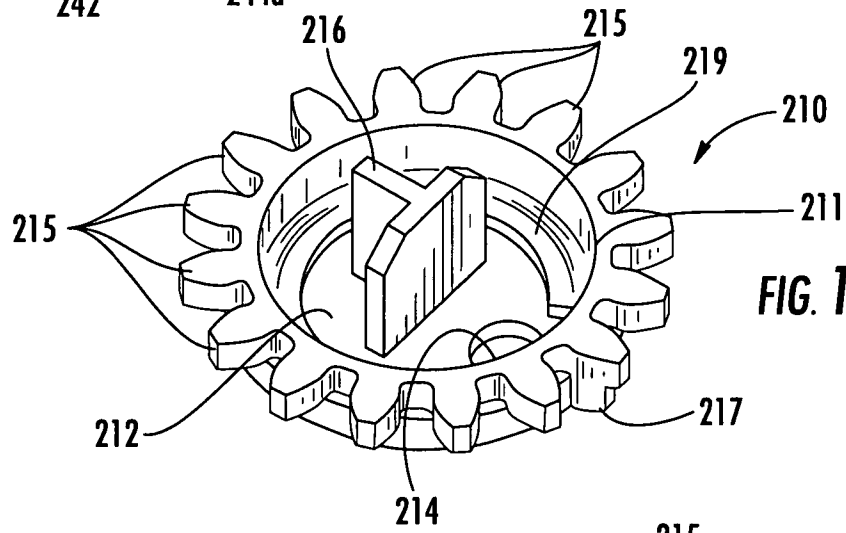
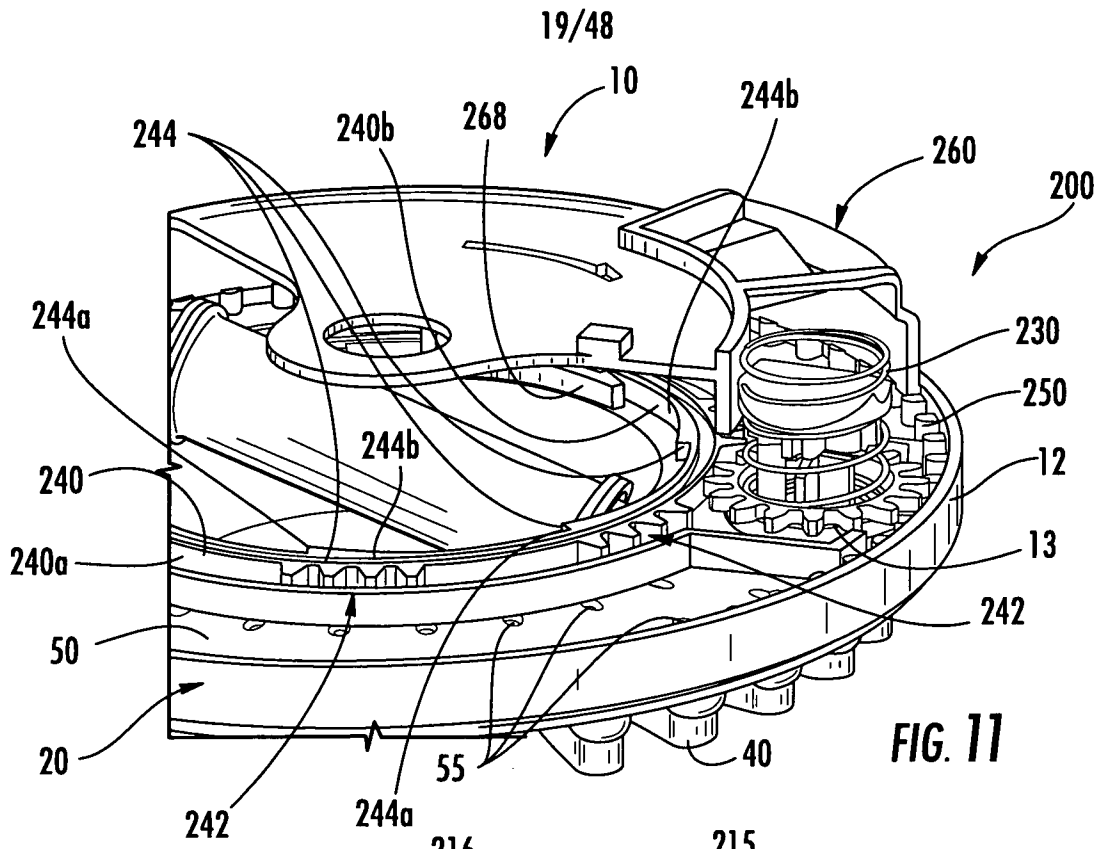


FIG. 10E



20/48

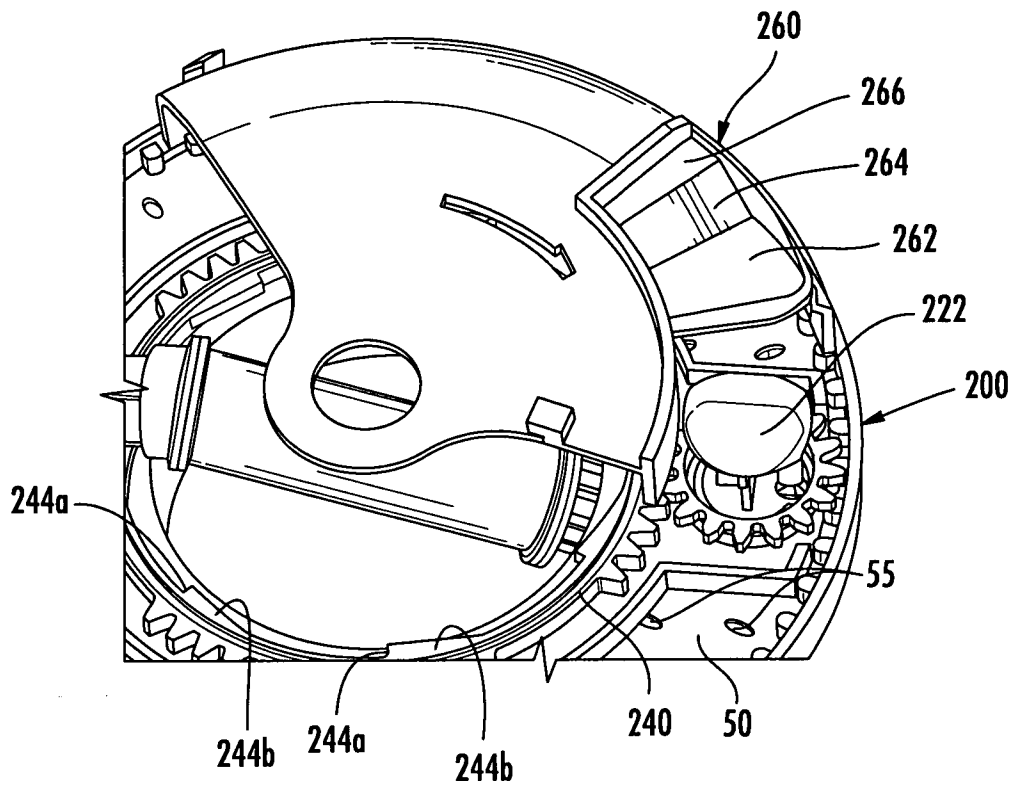


FIG. 13A

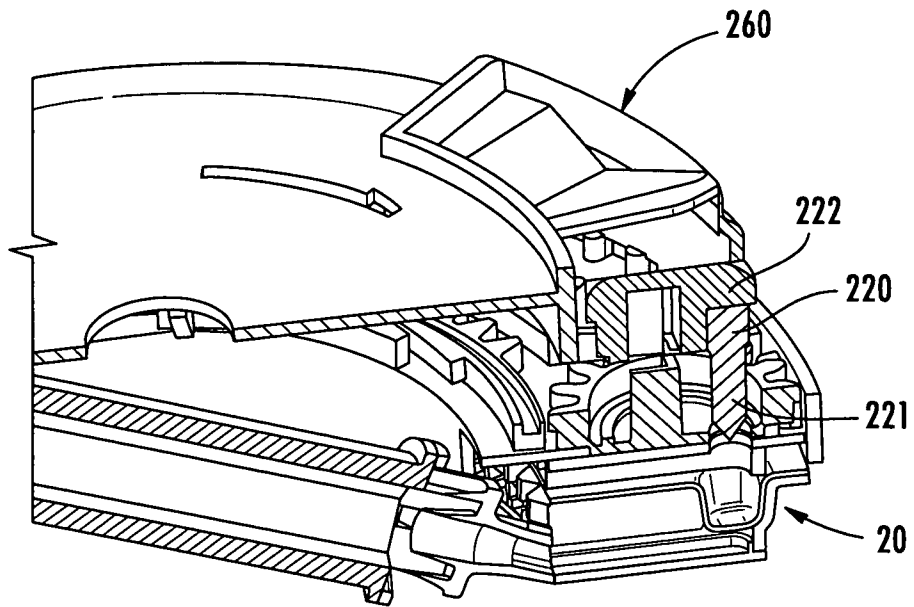


FIG. 13B

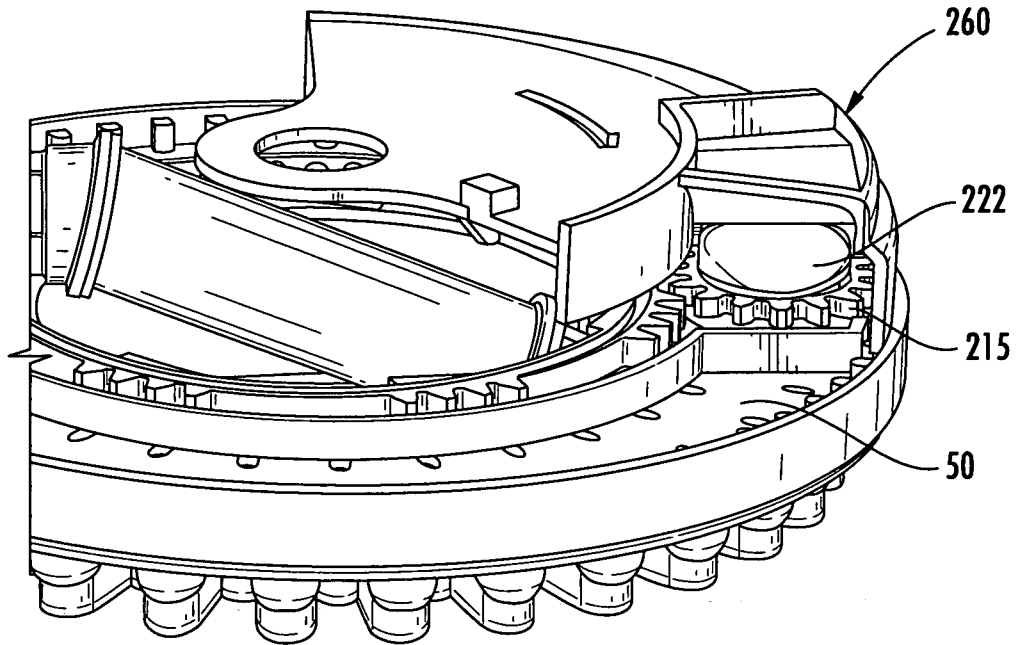


FIG. 13C

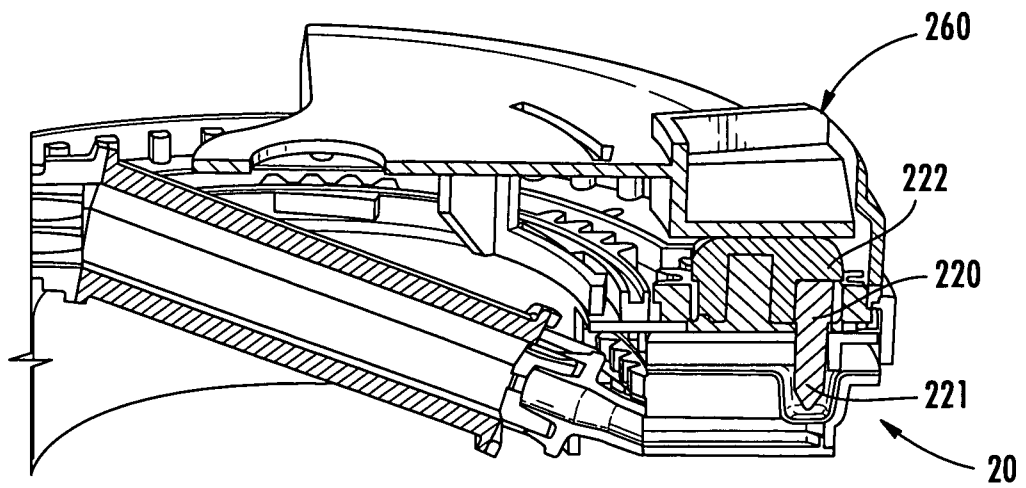


FIG. 13D

22/48

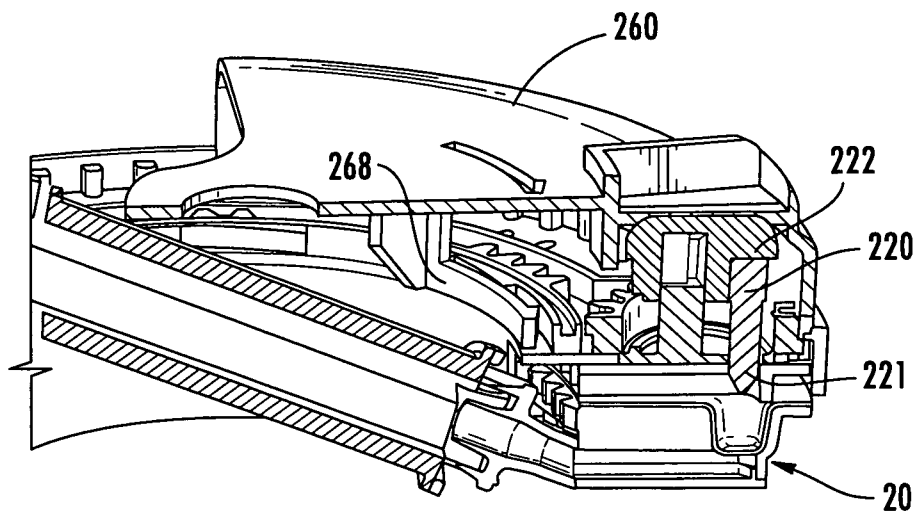


FIG. 13E

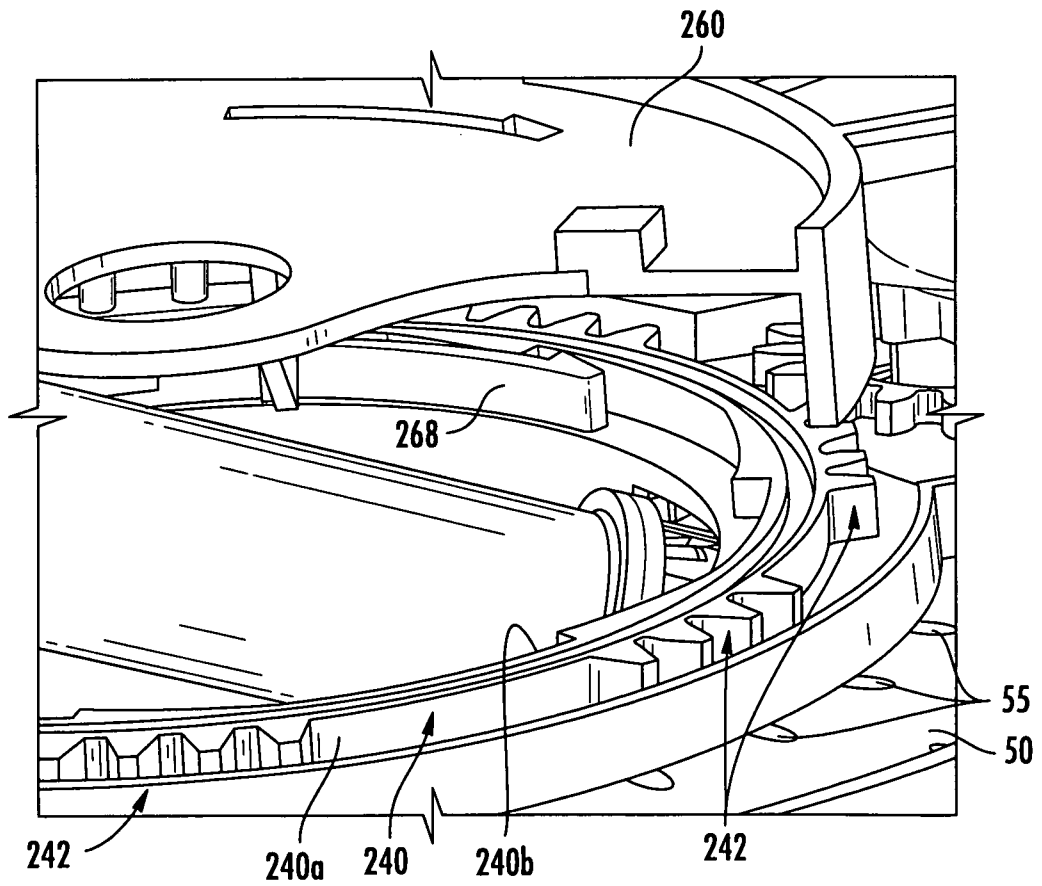


FIG. 13F

23/48

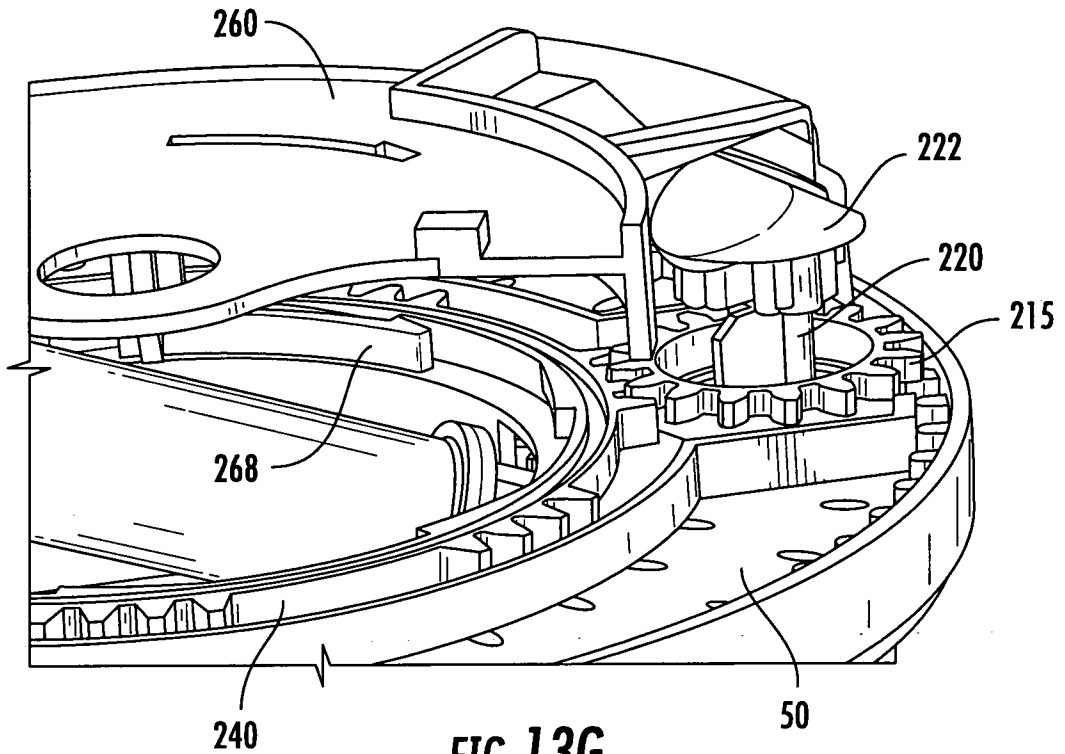


FIG. 13G

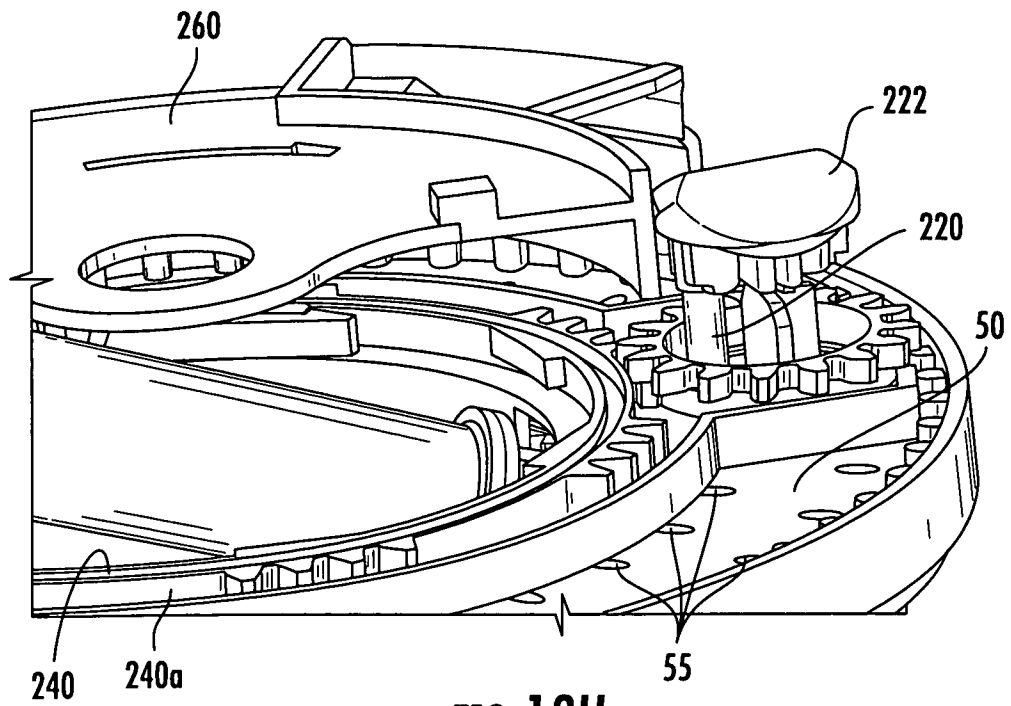


FIG. 13H

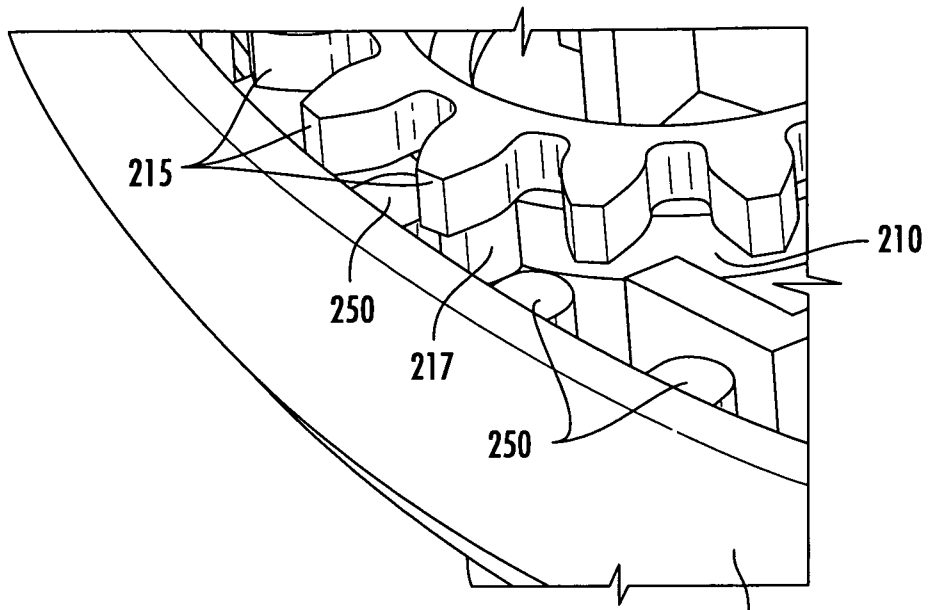
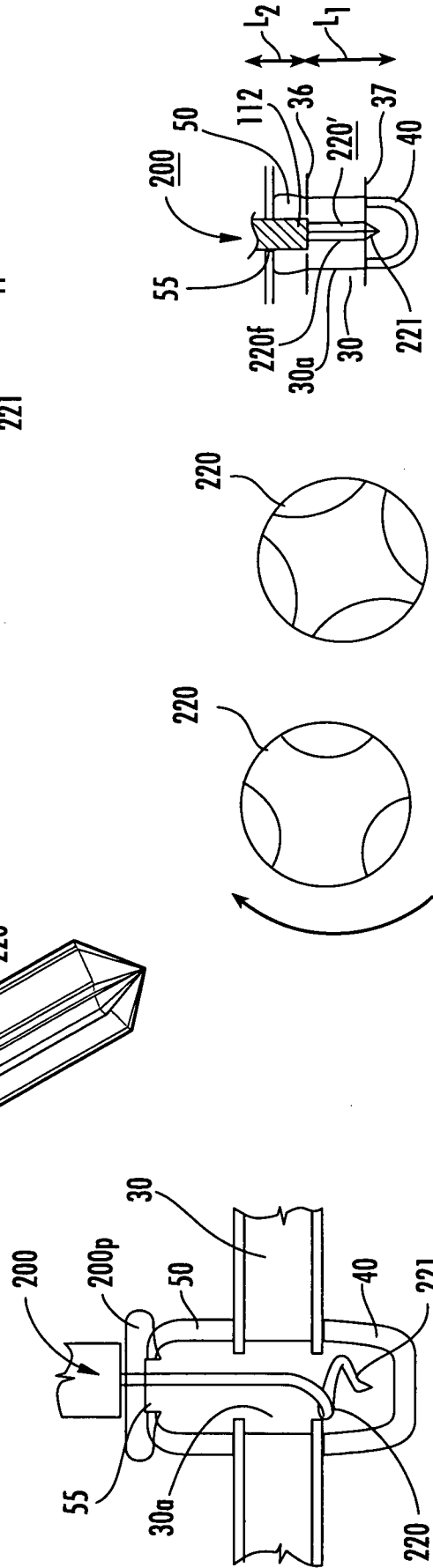
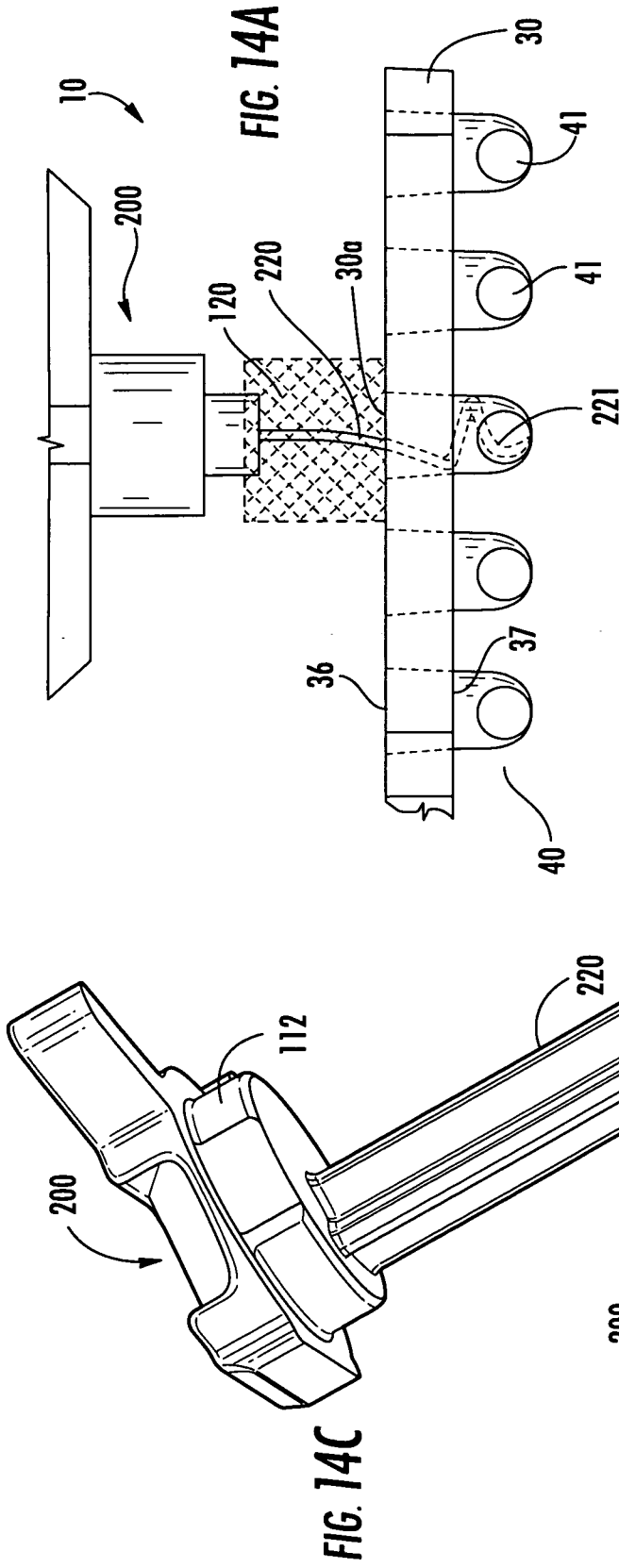


FIG. 13I

12



26/48

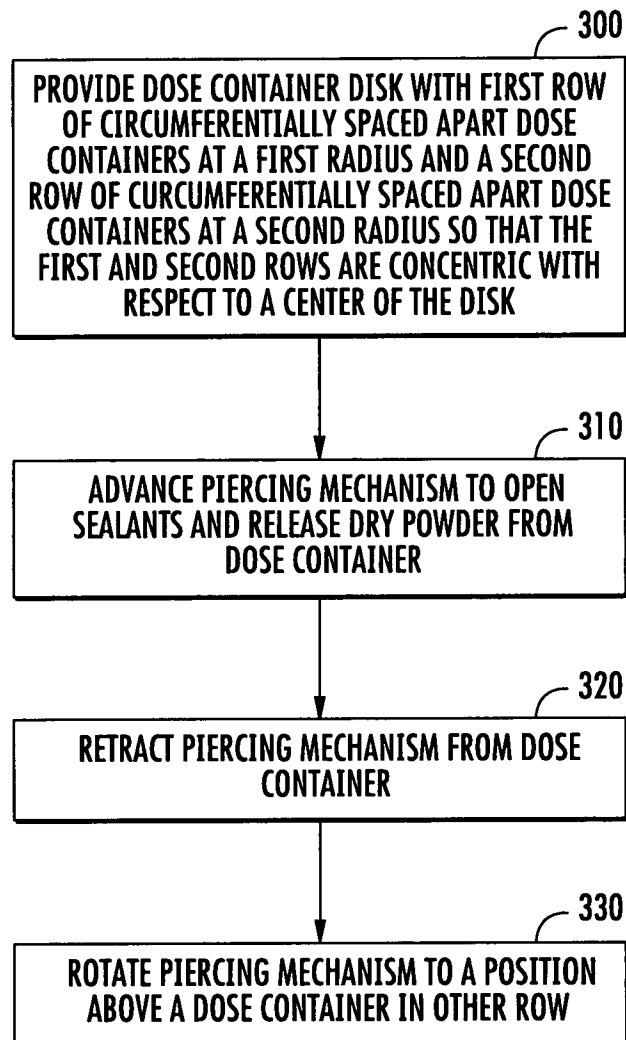


FIG. 15

27/48

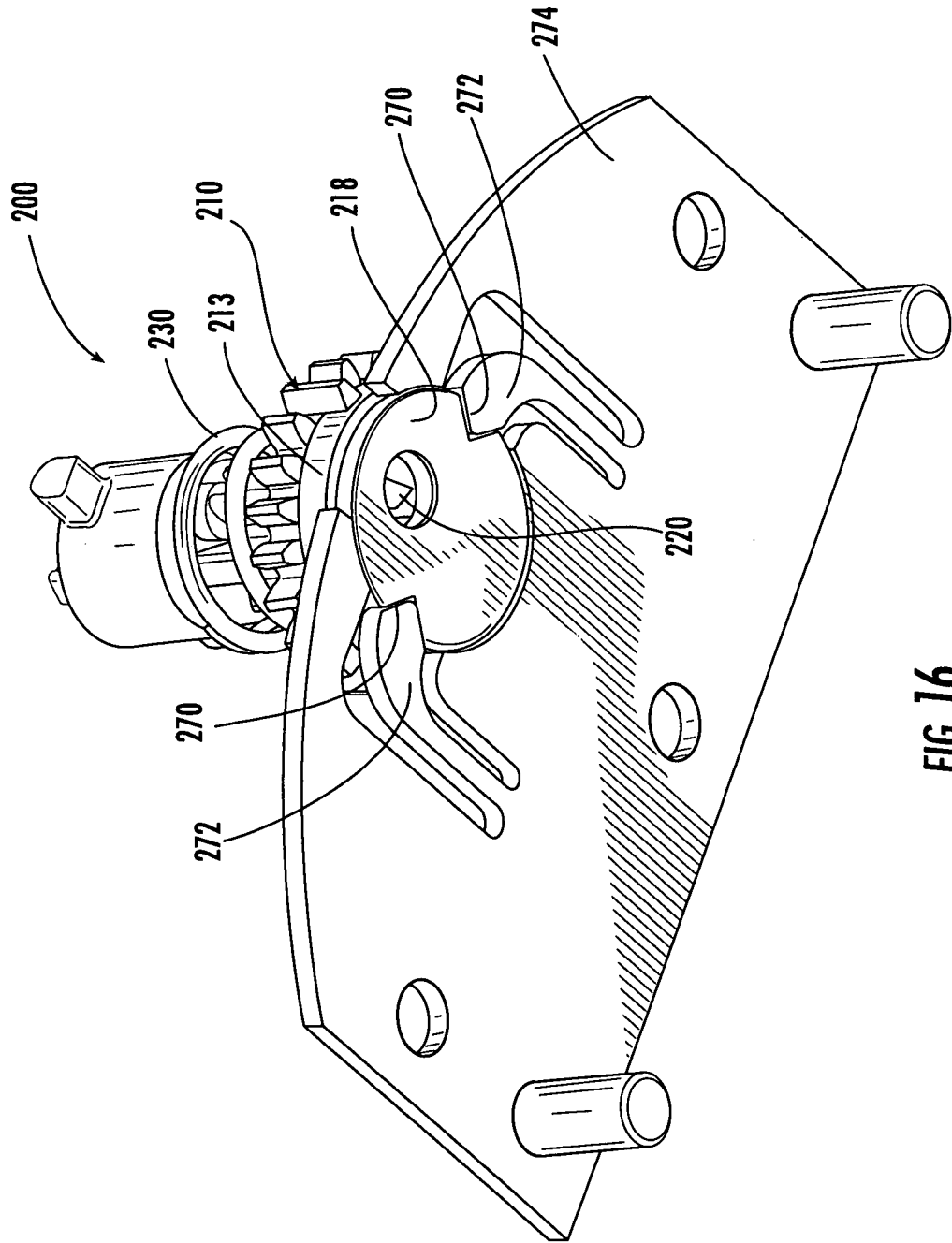
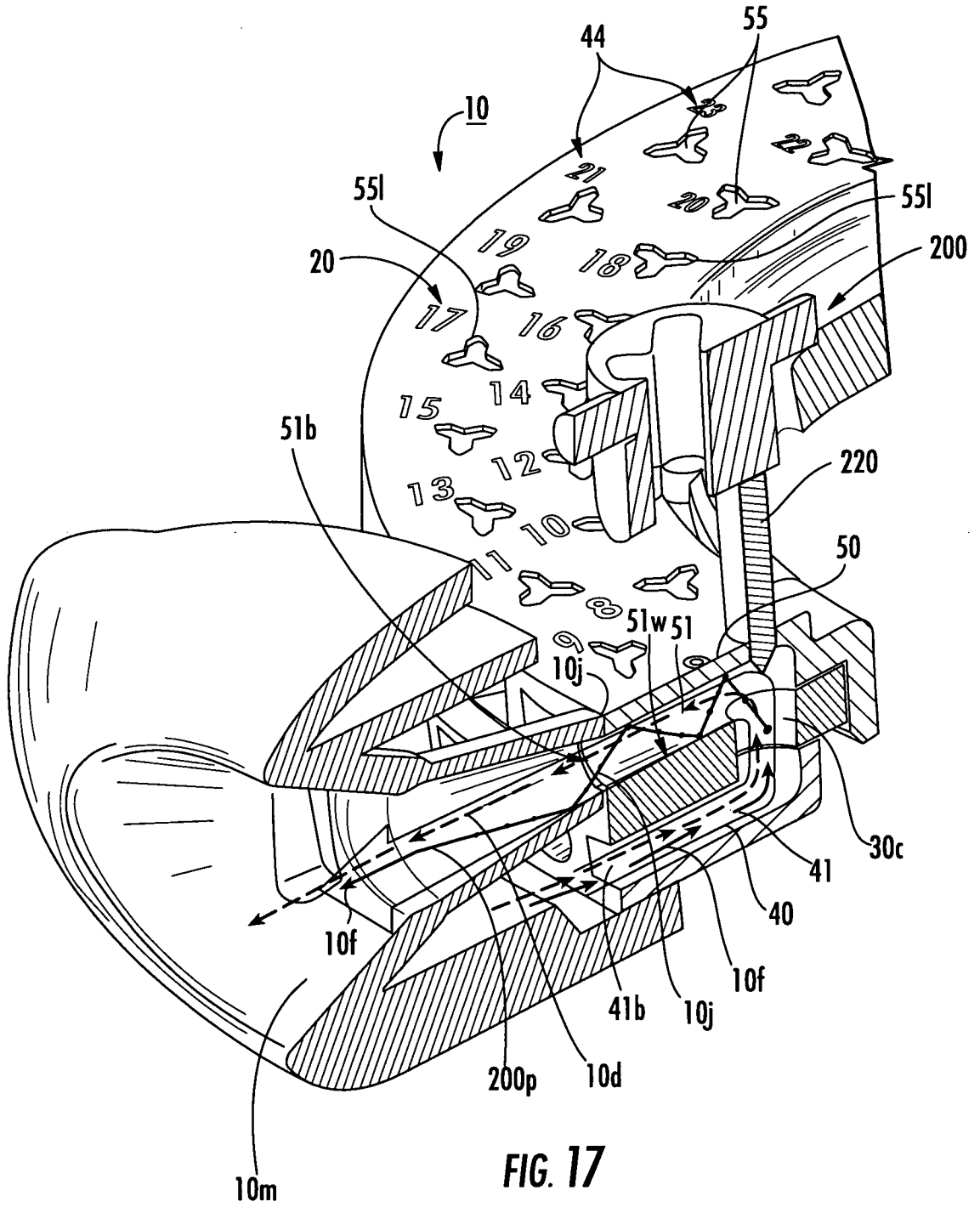


FIG. 16



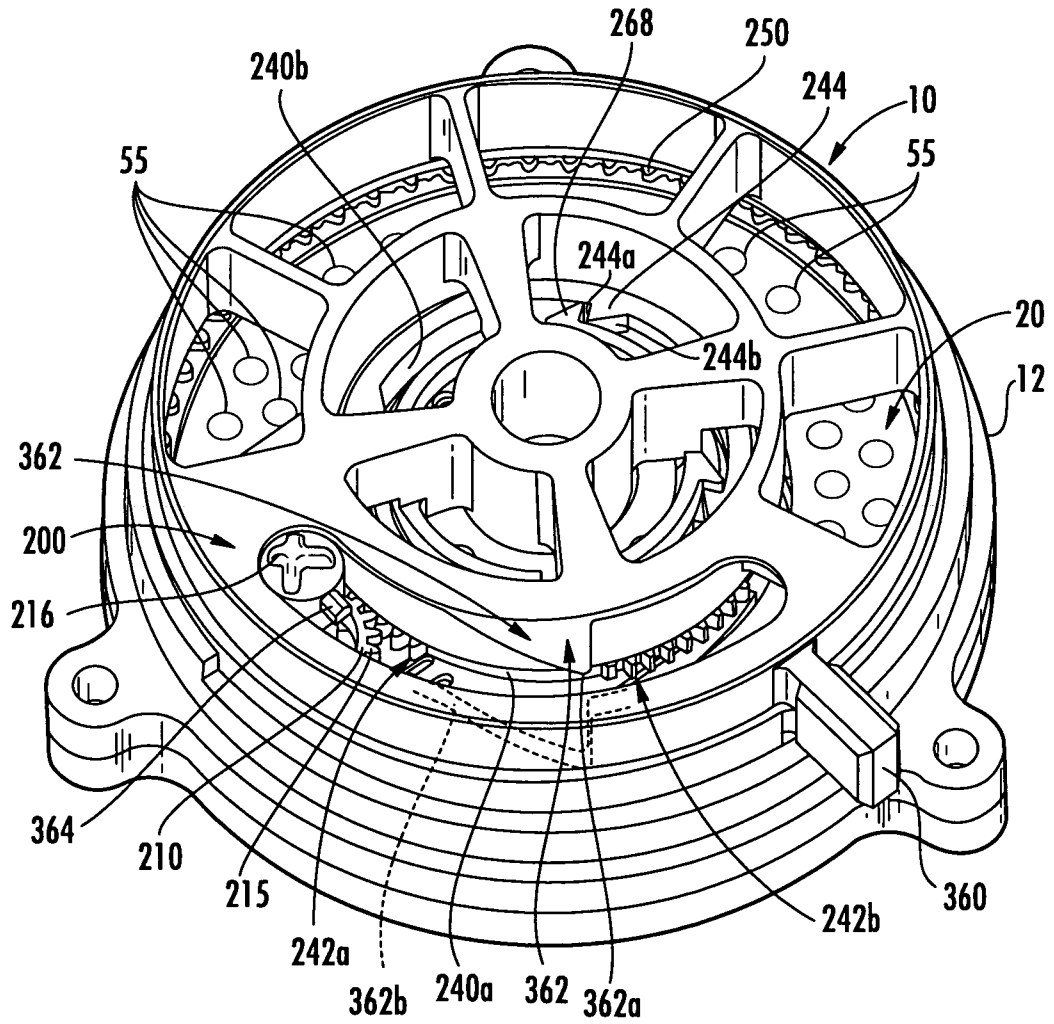


FIG. 18A

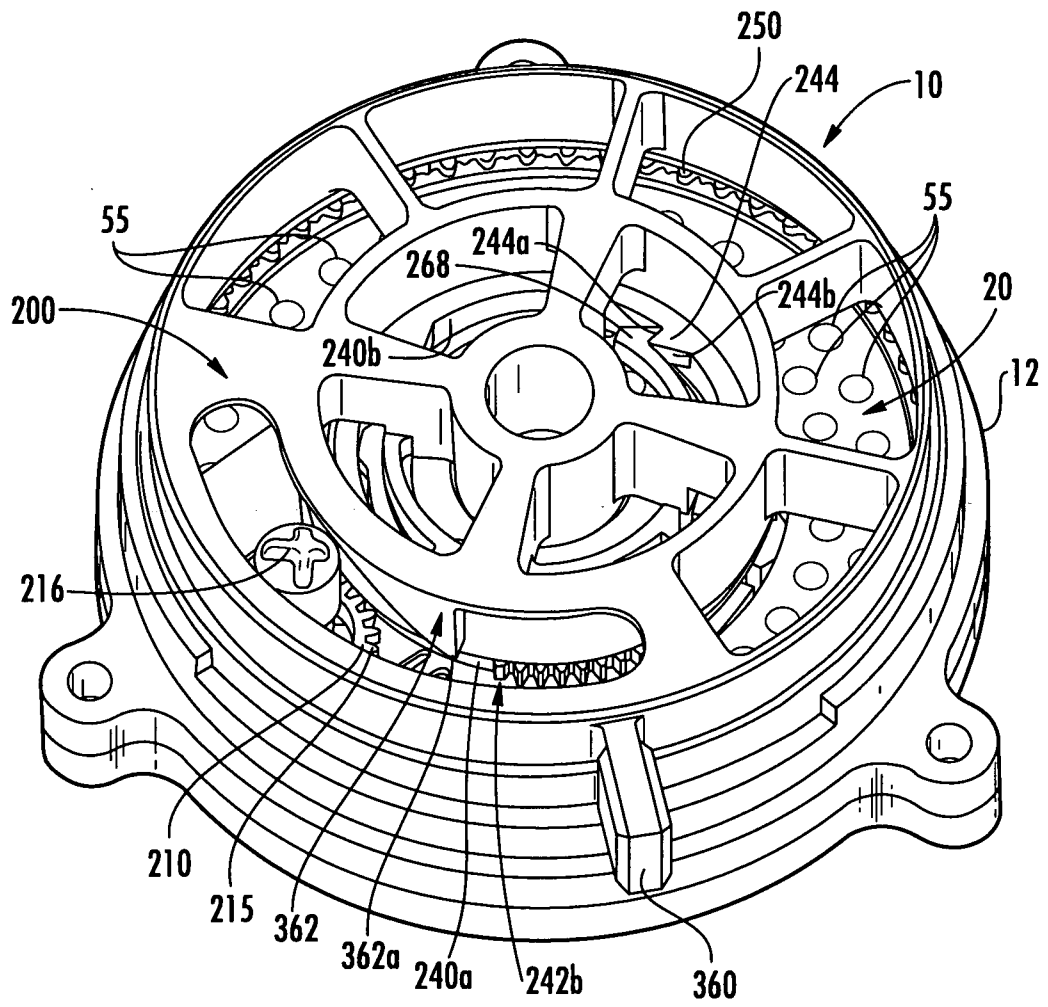


FIG. 18B

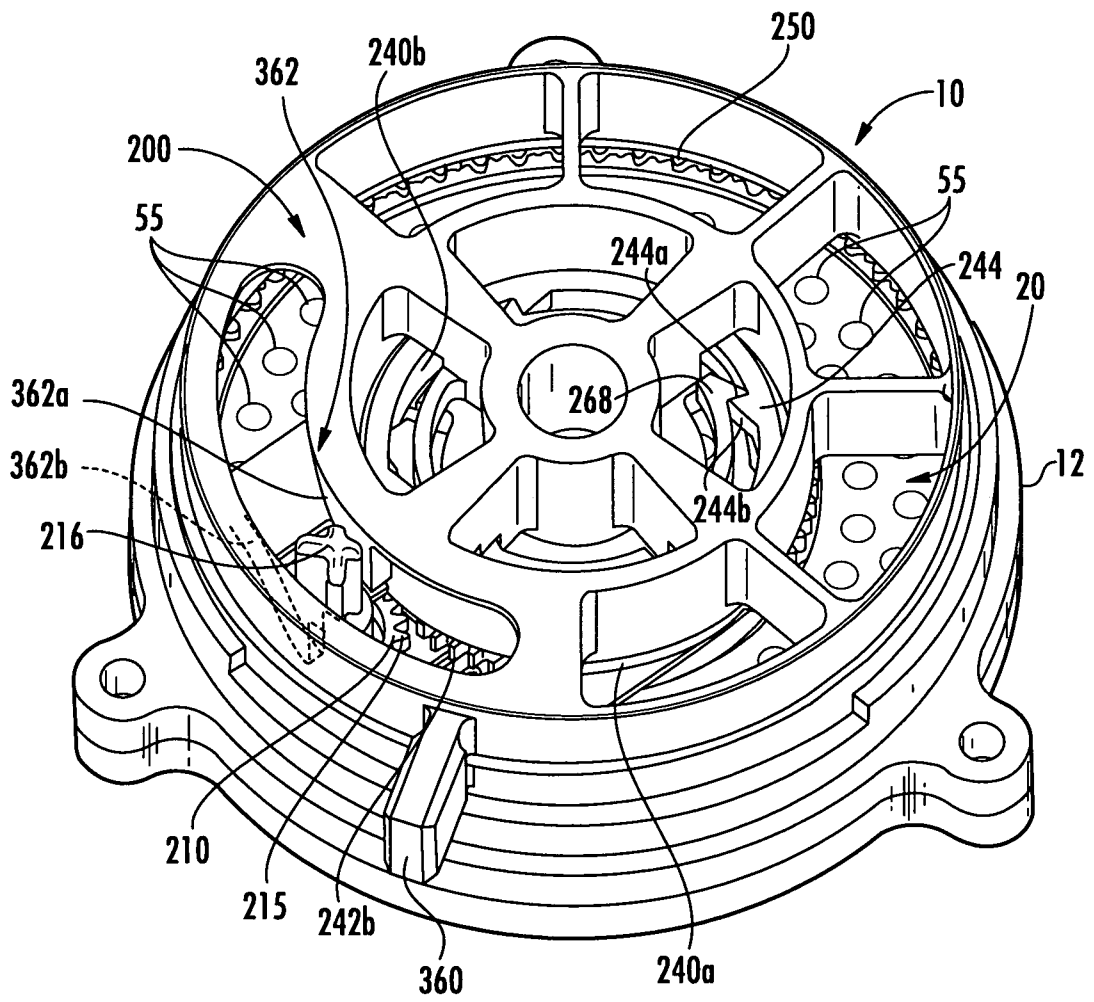


FIG. 18C

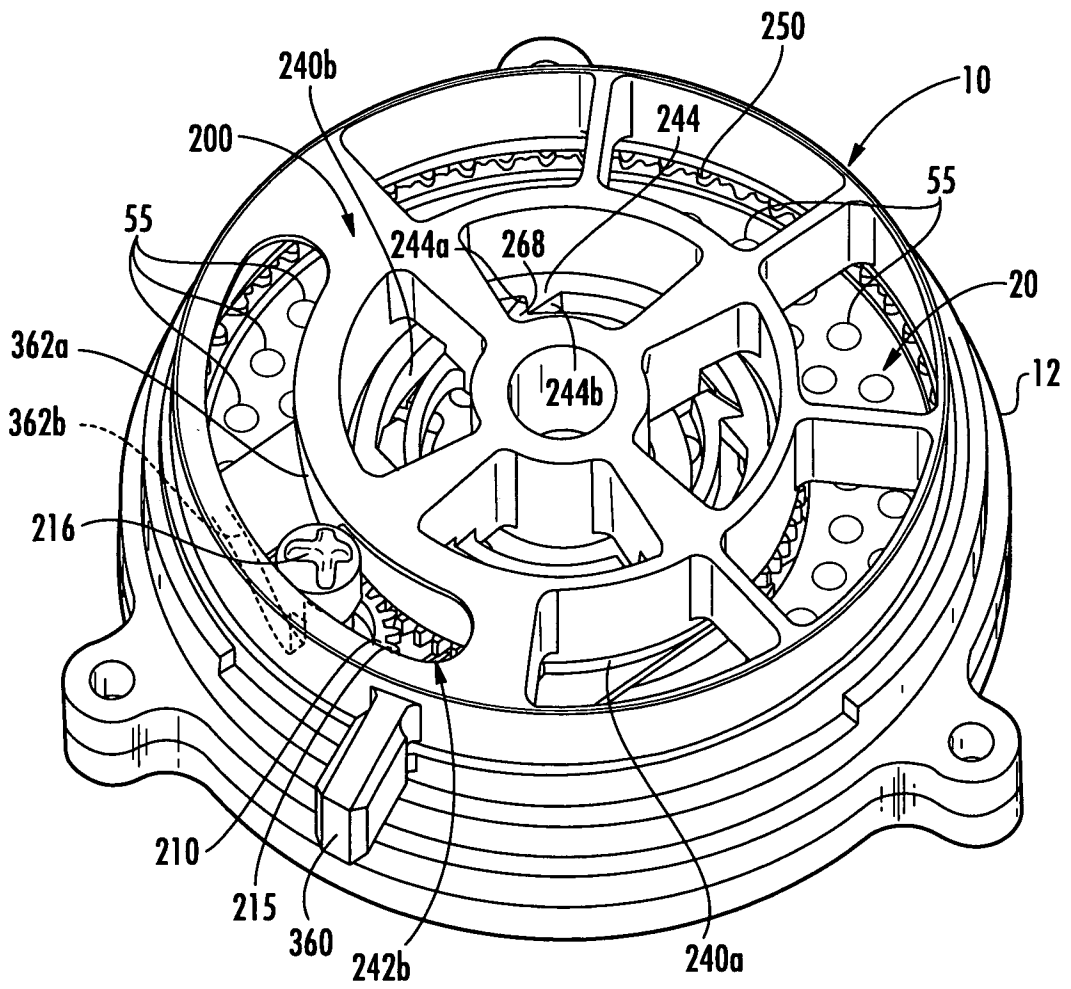


FIG. 18D

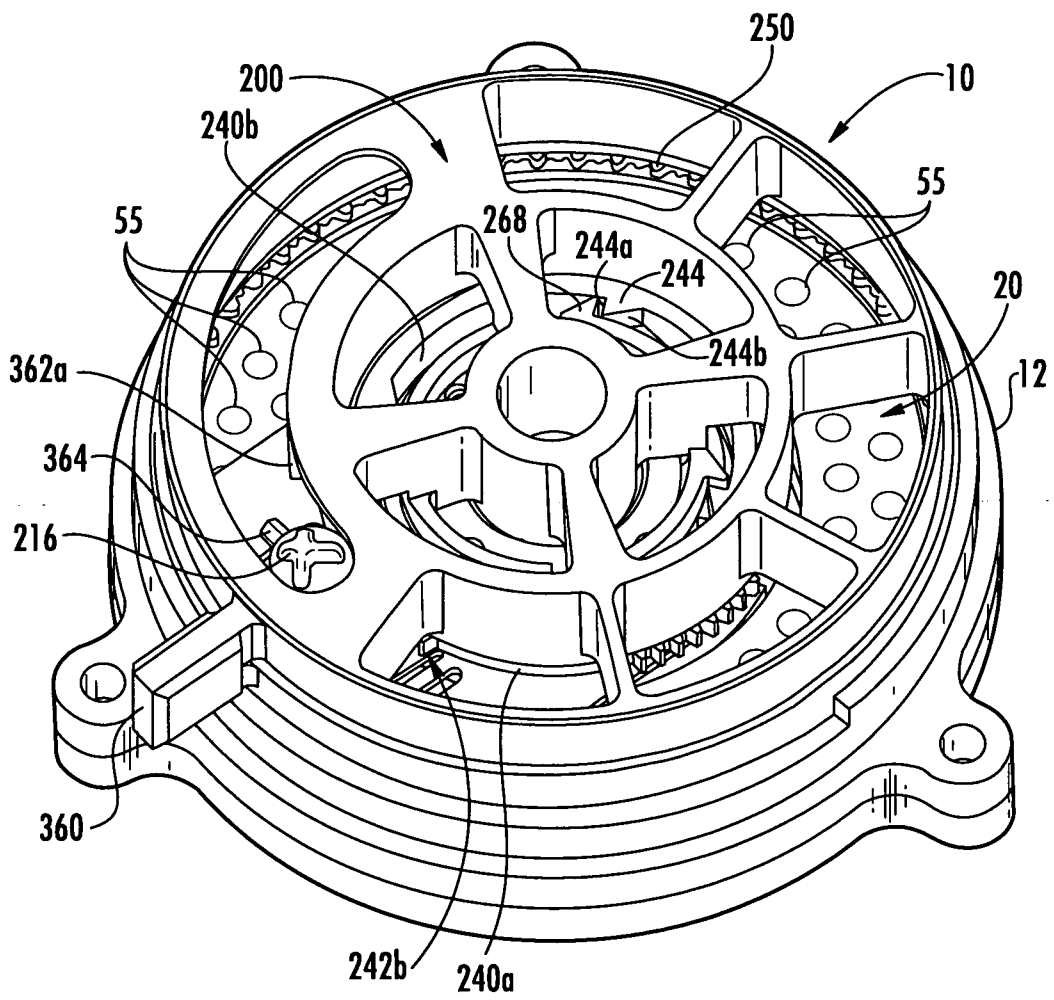


FIG. 18E

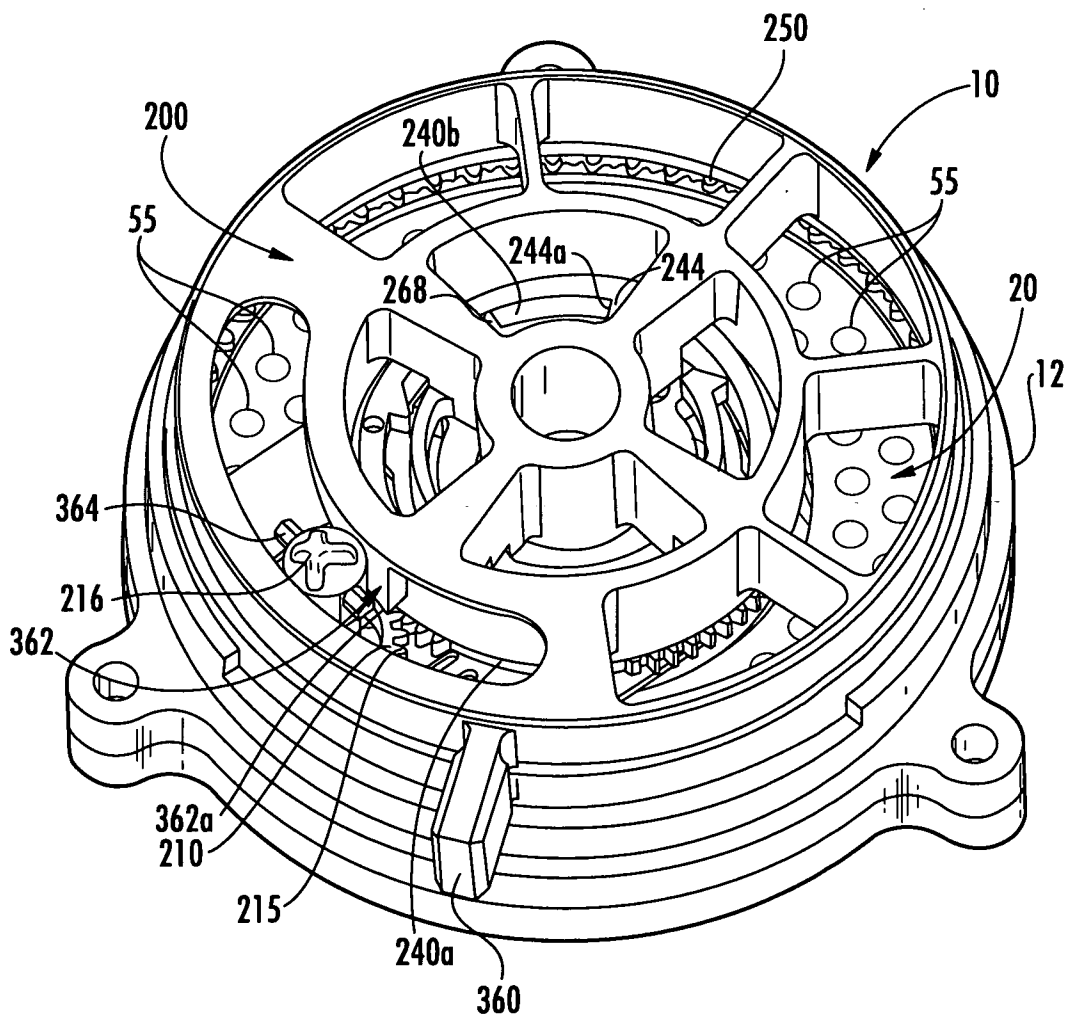


FIG. 18F

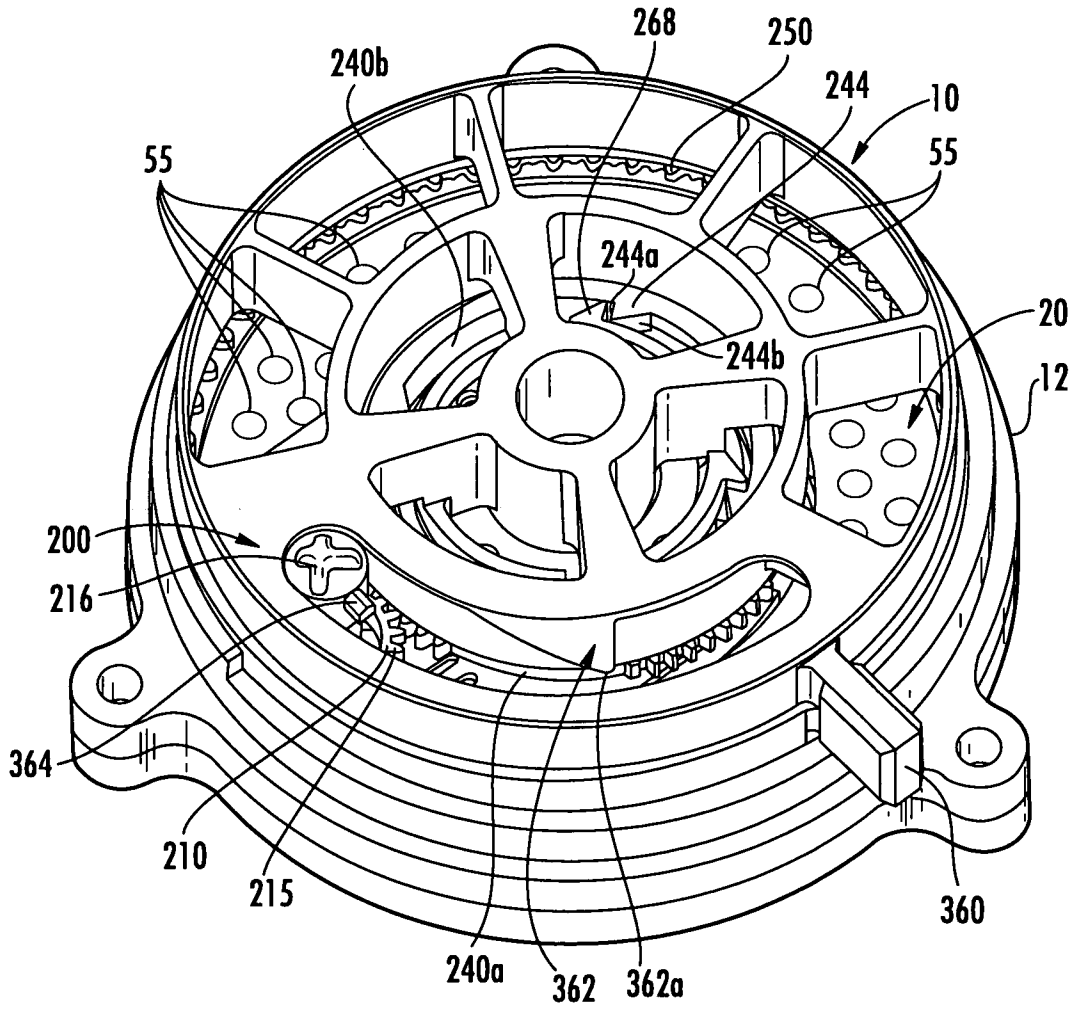
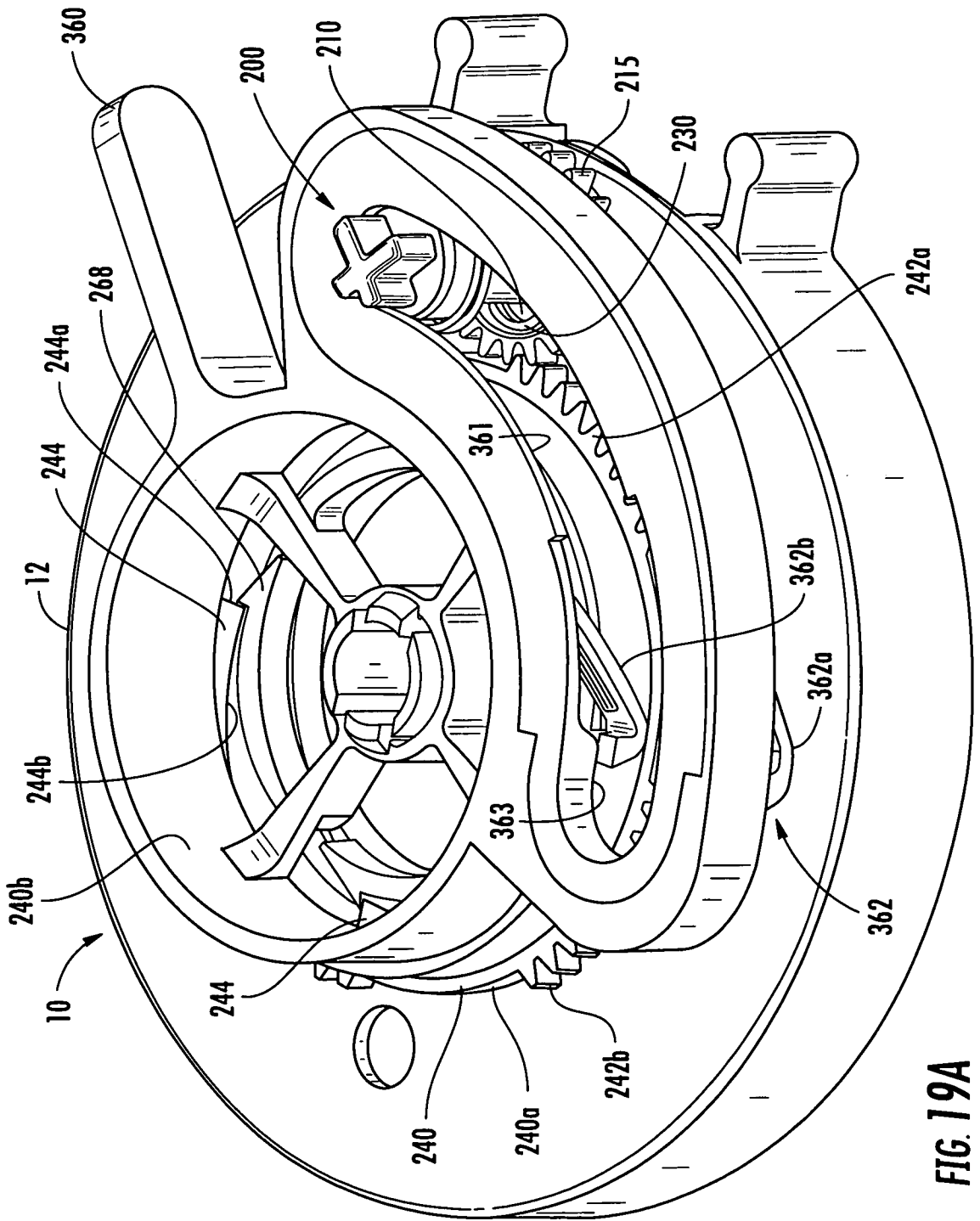


FIG. 18G



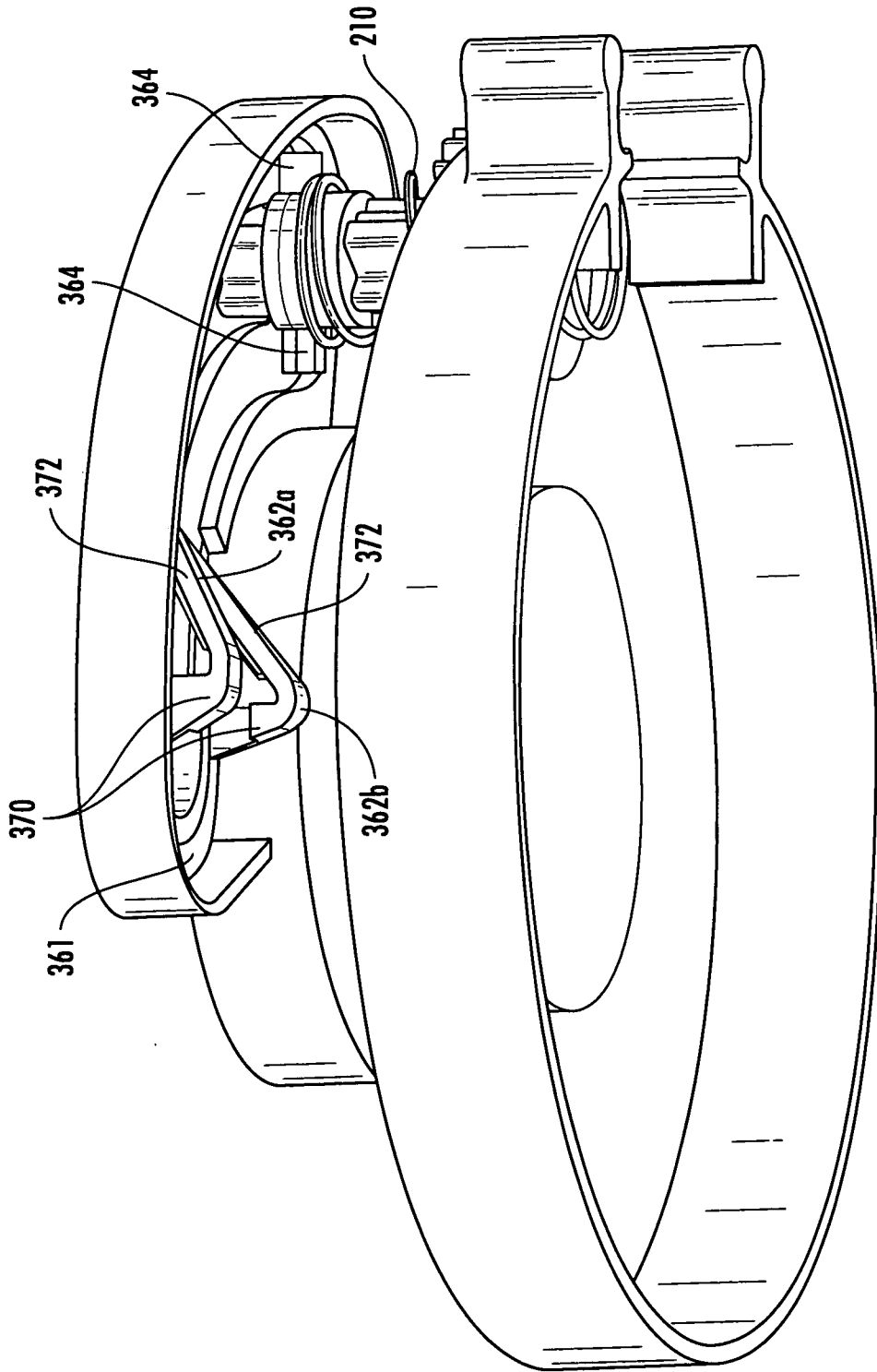


FIG. 19B

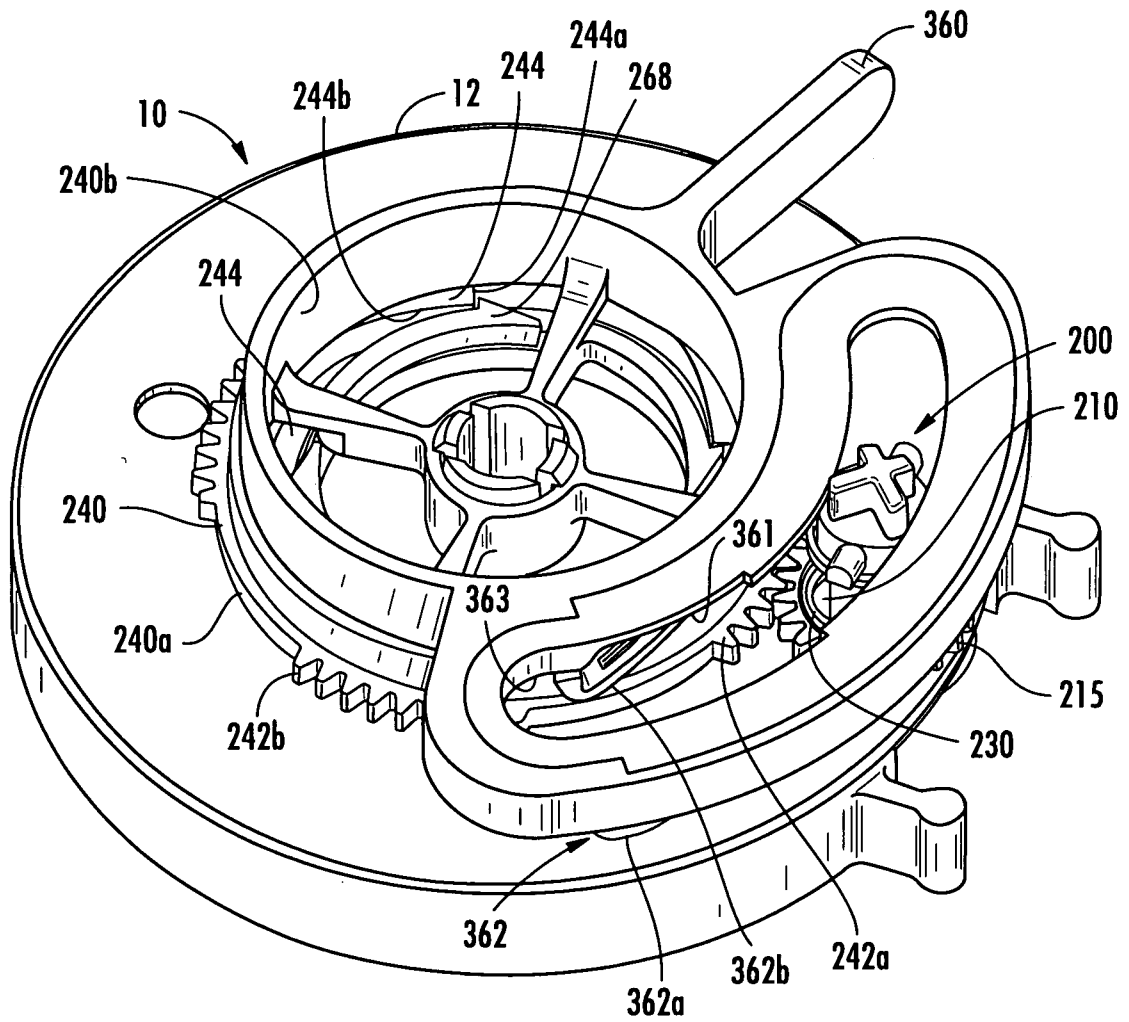


FIG. 20

39/48

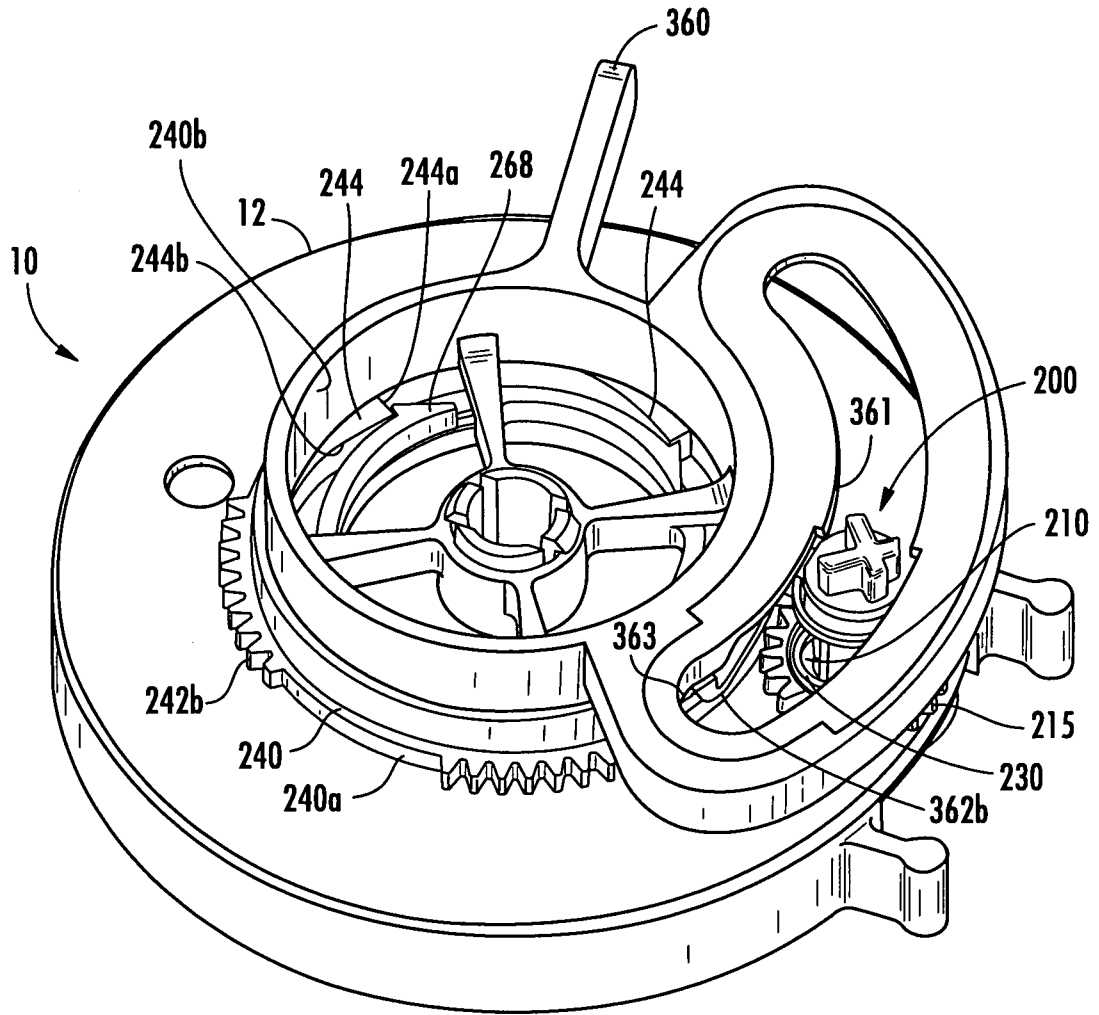


FIG. 21A

40/48

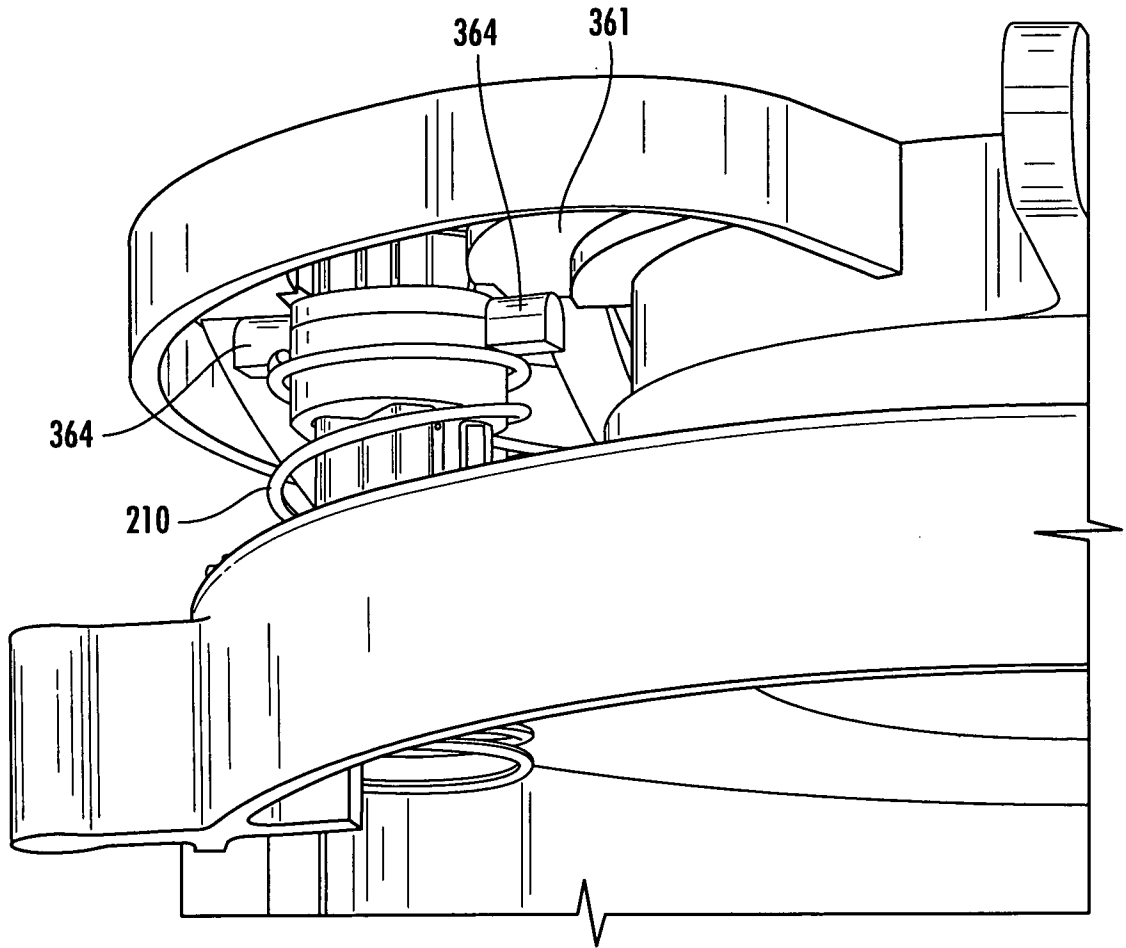


FIG. 21B

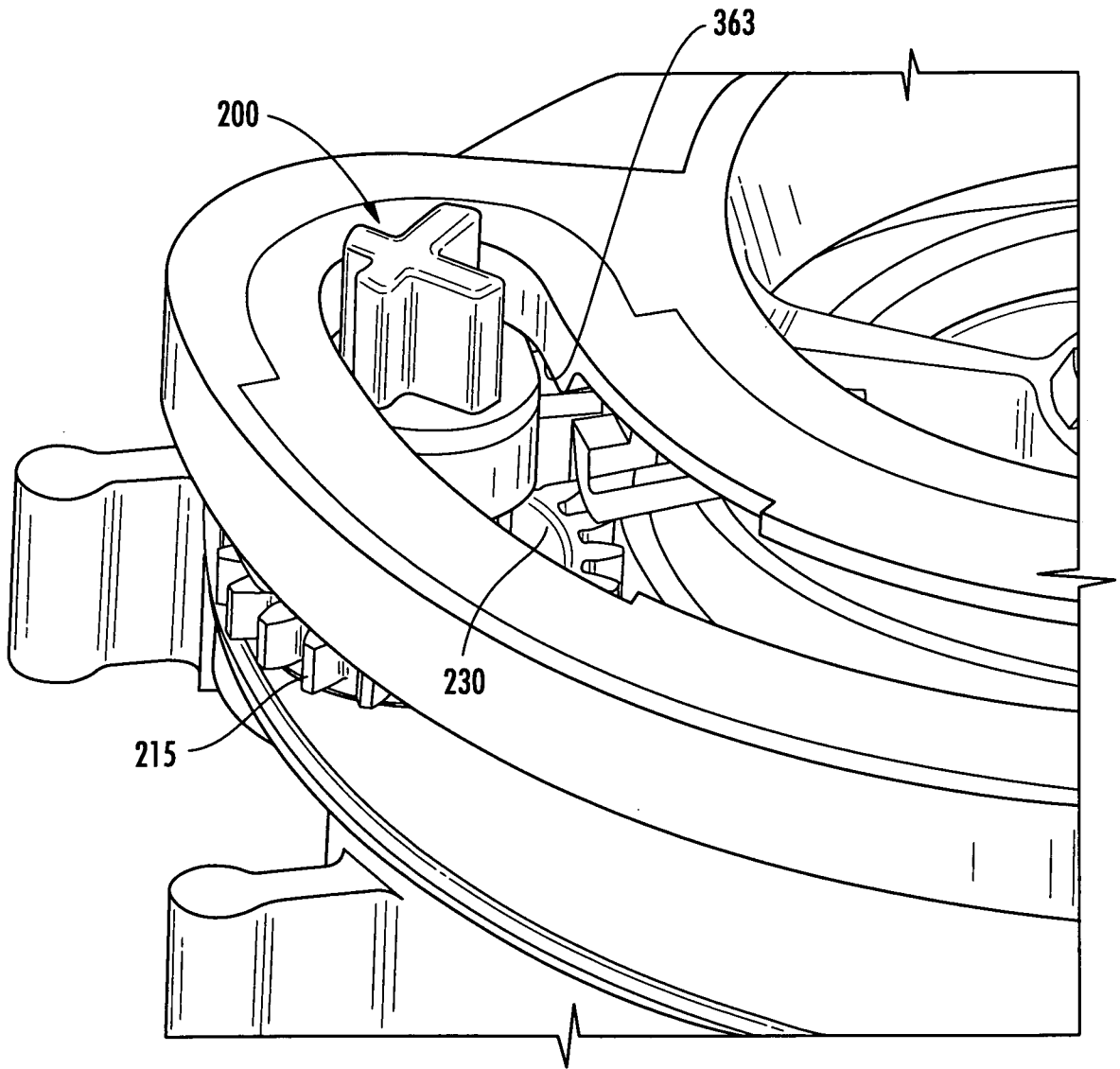


FIG. 23A

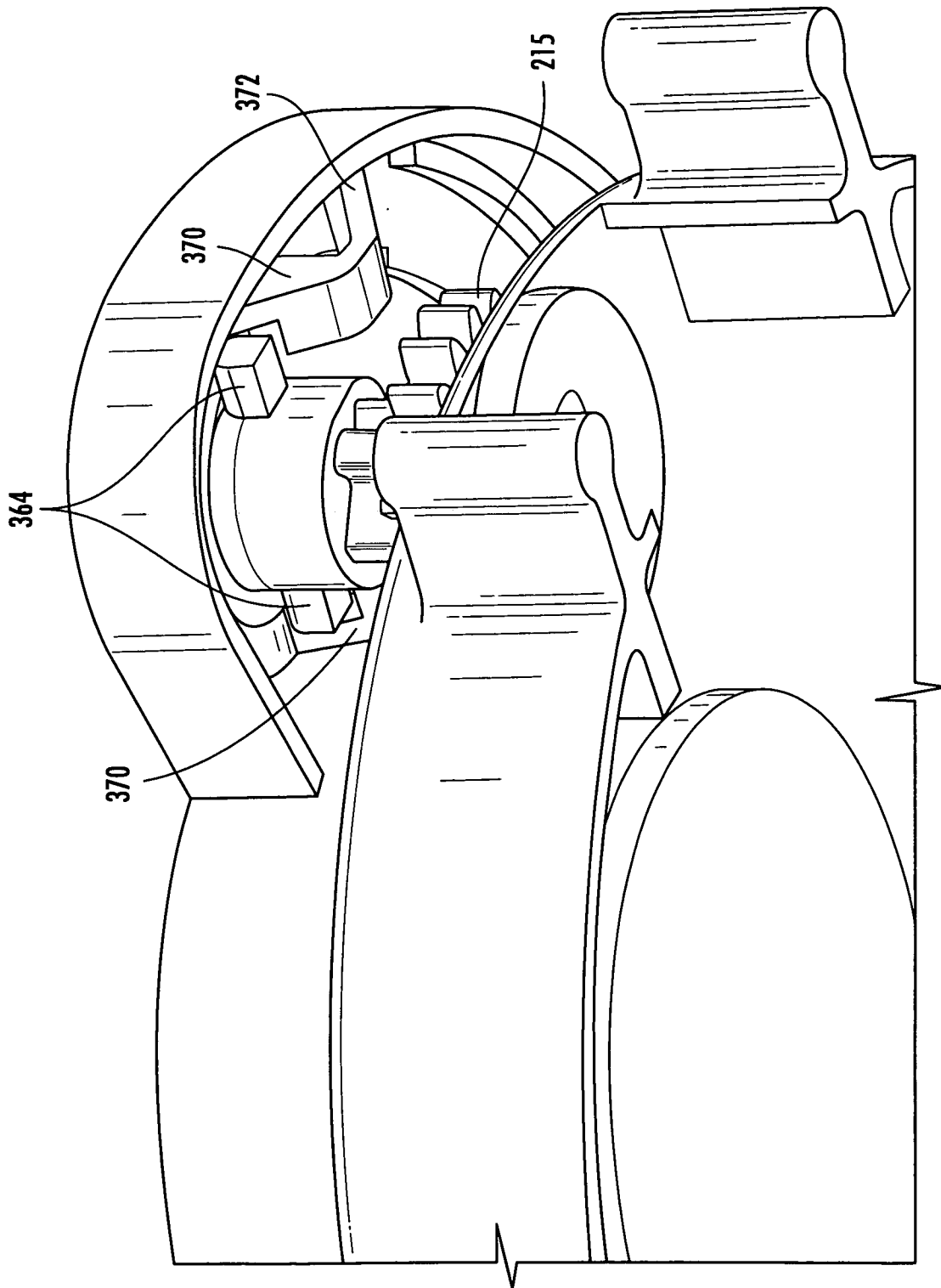


FIG. 23B

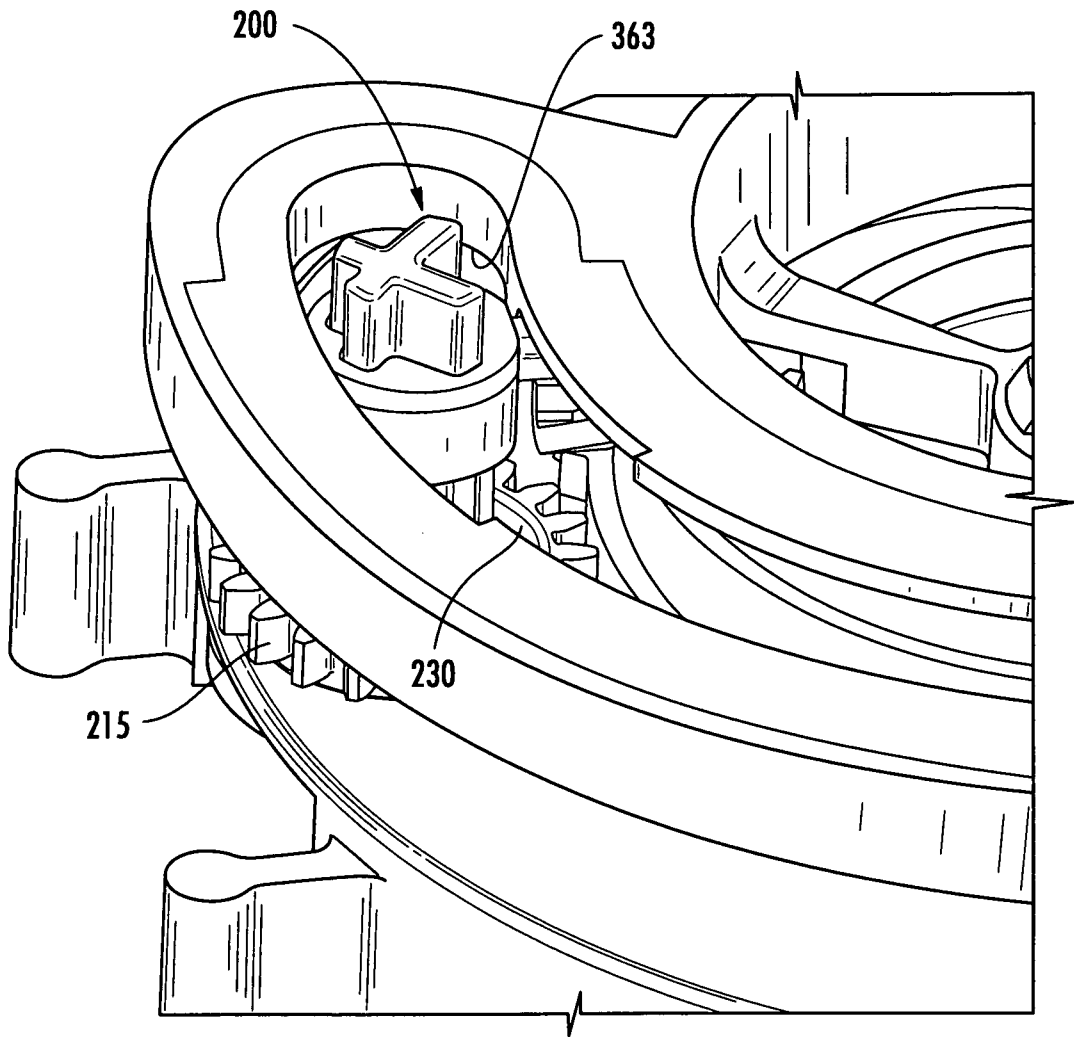


FIG. 24A

45/48

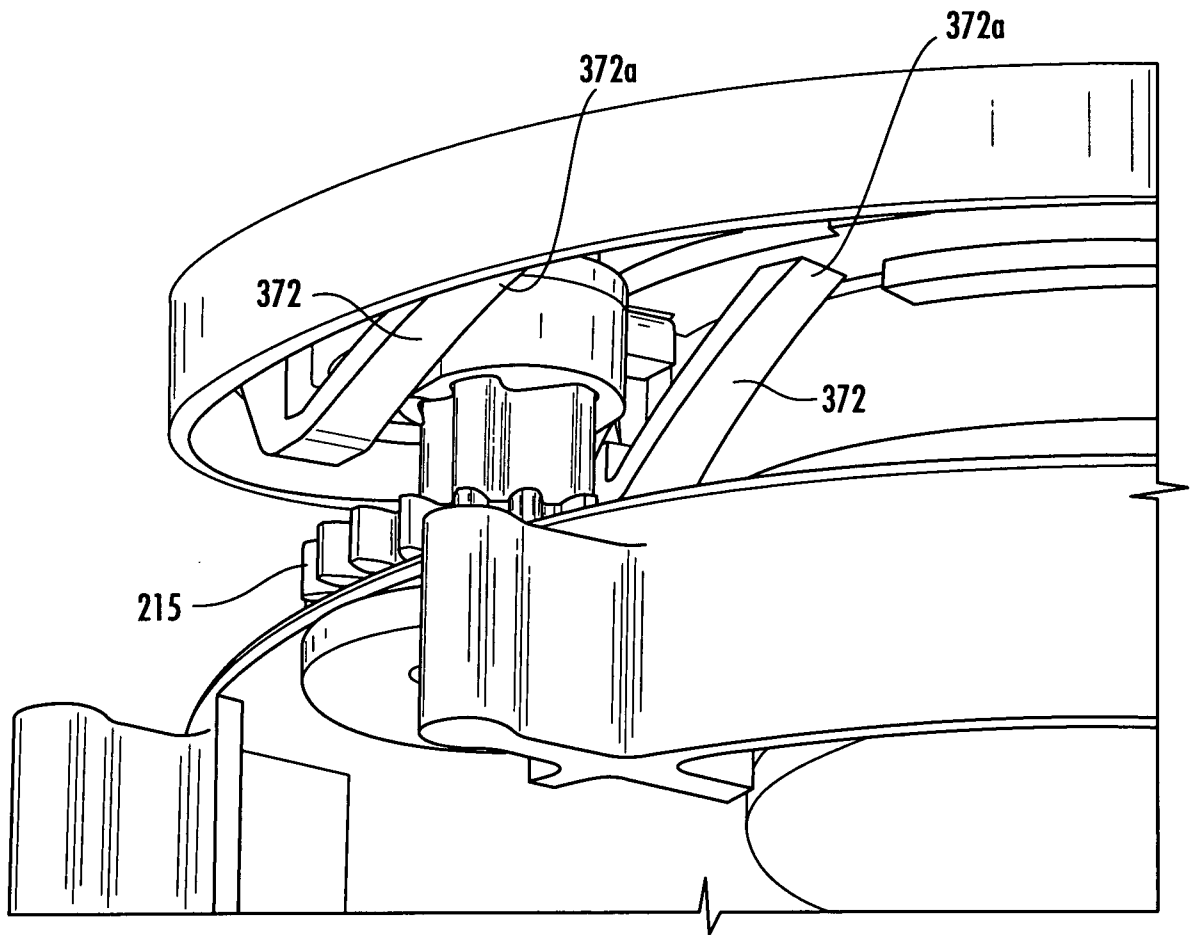


FIG. 24B

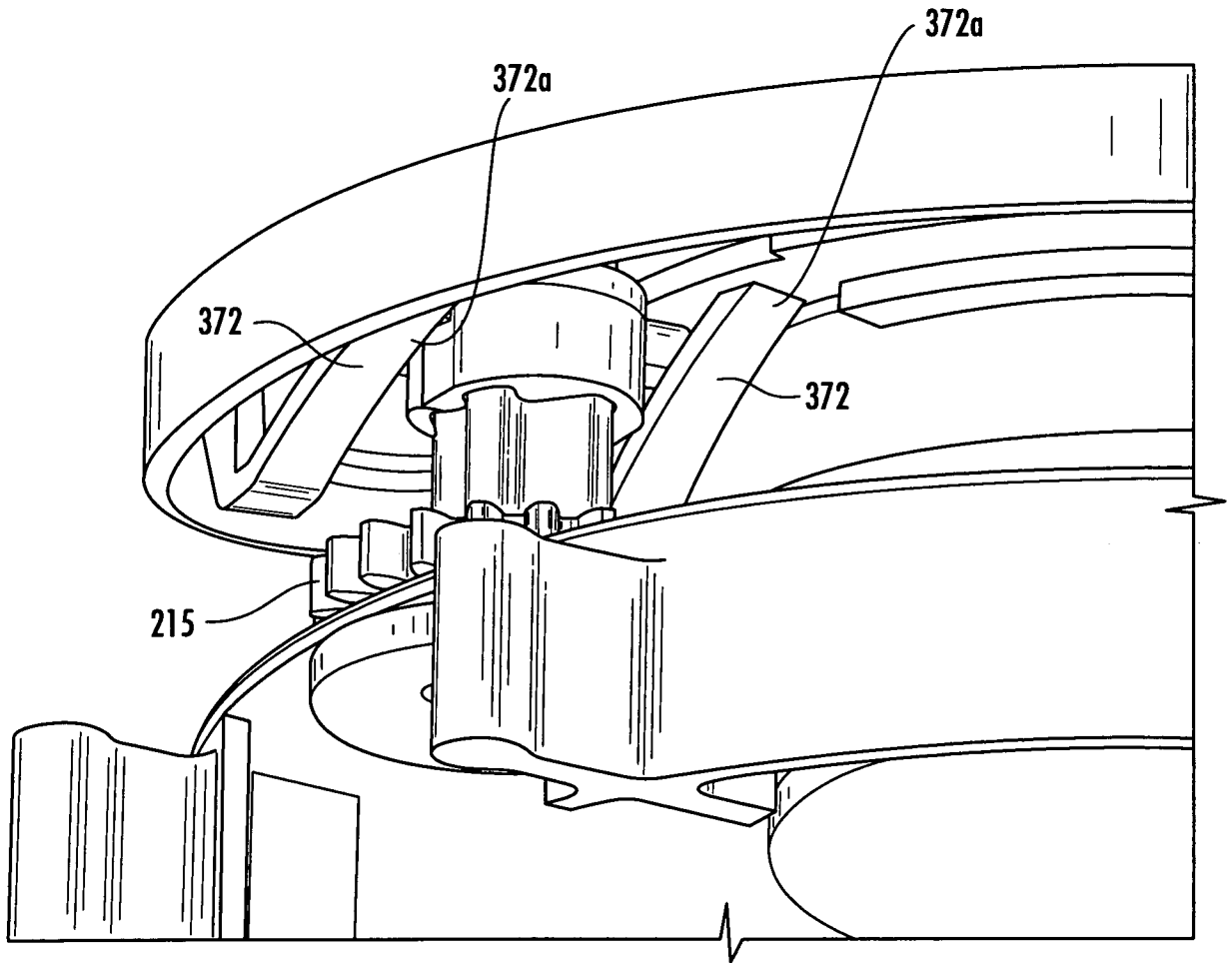


FIG. 25

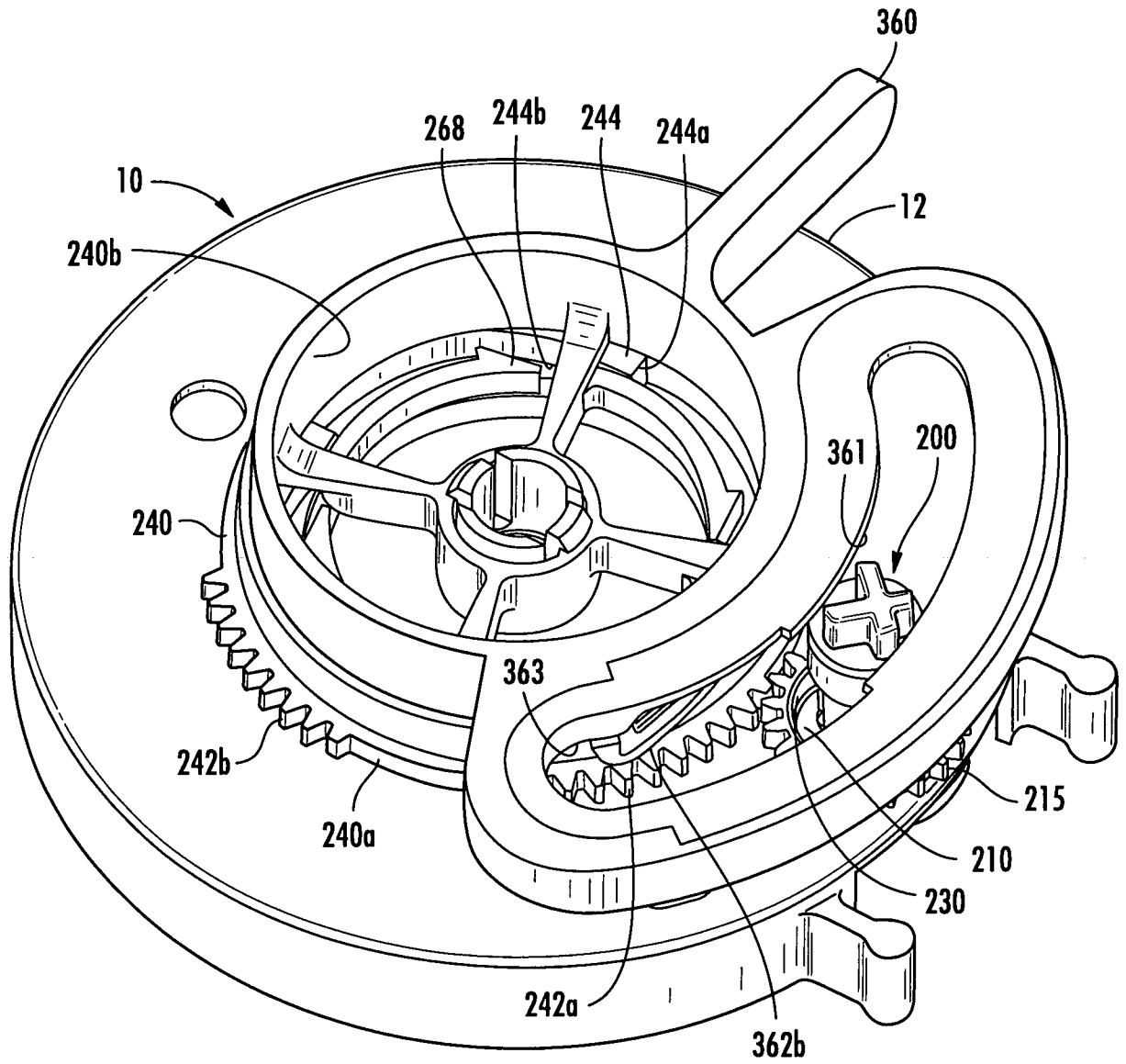


FIG. 26A

48/48

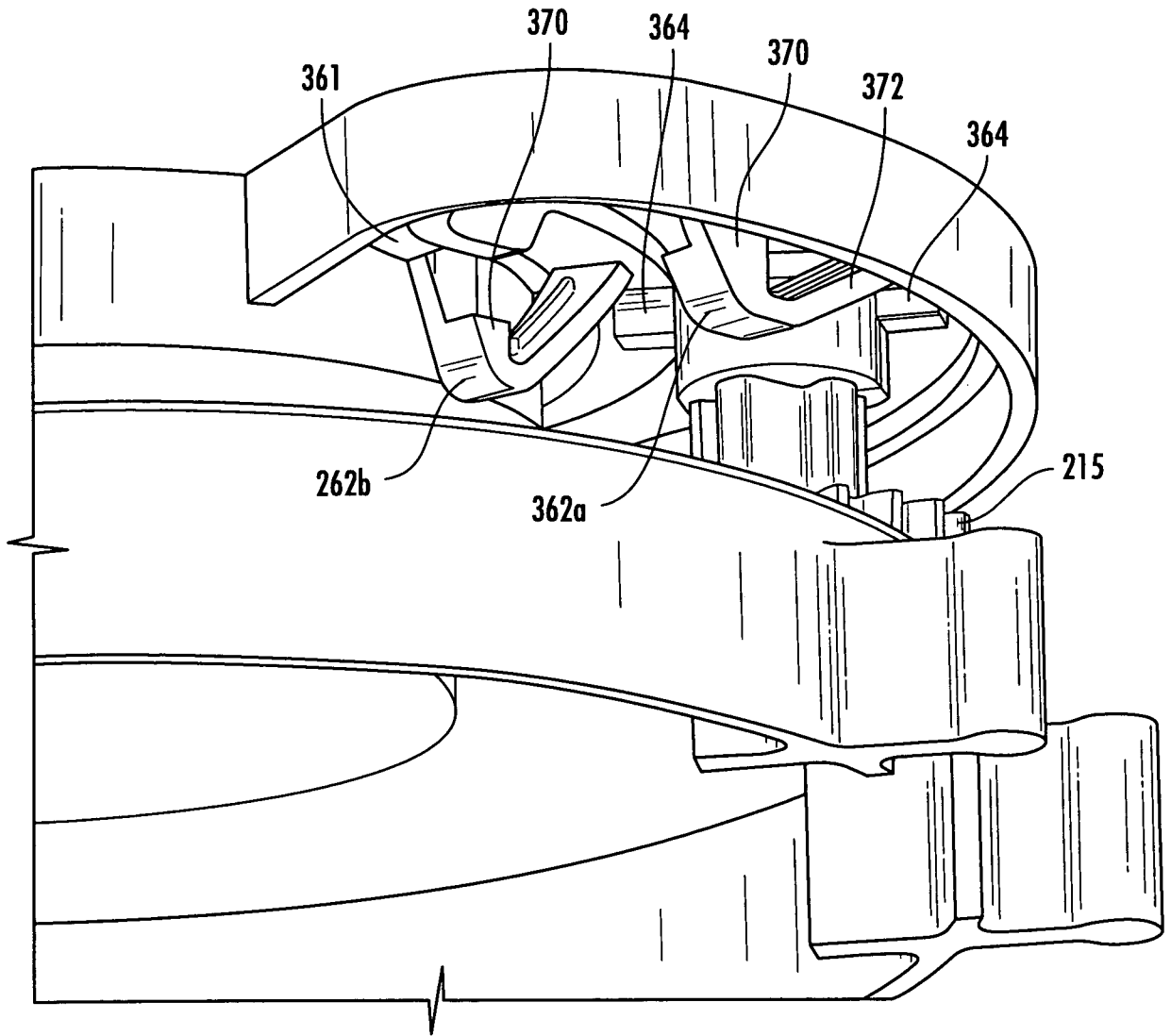


FIG. 26B