



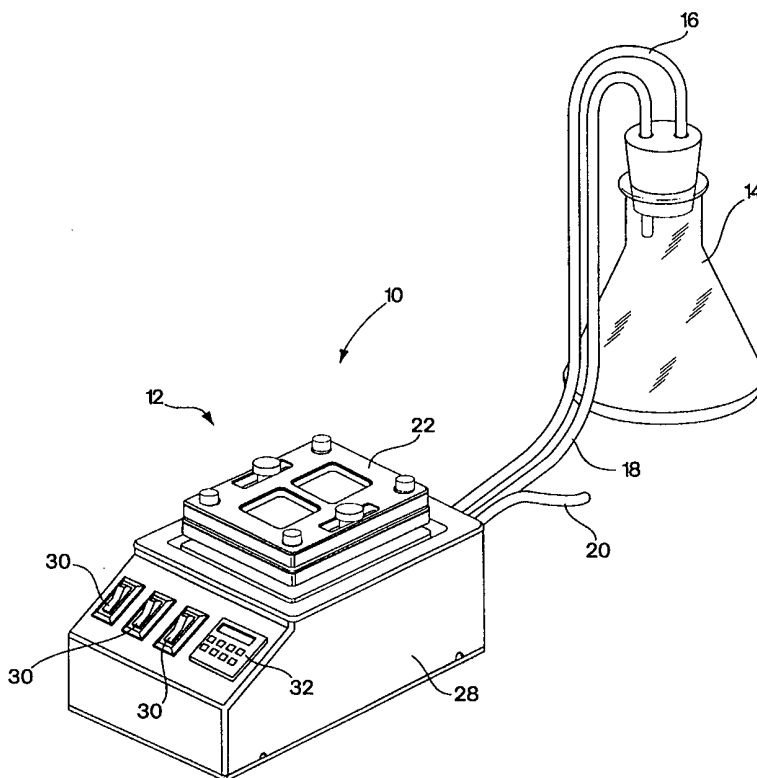
INTERNATIONAL APPLICATION PUBLISHED UNDER THE PATENT COOPERATION TREATY (PCT)

<p>(51) International Patent Classification ⁶ : G01N 33/53, 33/543, B01L 3/00</p>	<p>A3</p>	<p>(11) International Publication Number: WO 99/47928</p> <p>(43) International Publication Date: 23 September 1999 (23.09.99)</p>
<p>(21) International Application Number: PCT/US99/05790</p> <p>(22) International Filing Date: 17 March 1999 (17.03.99)</p> <p>(30) Priority Data: 09/045,630 19 March 1998 (19.03.98) US</p> <p>(71) Applicant: IMMUNETICS, INC. [US/US]; 63 Rogers Street, Cambridge, MA 02142 (US).</p> <p>(72) Inventor: LEVIN, Andrew, E.; 30 Russell Road, Wellesley, MA 02181 (US).</p> <p>(74) Agents: PHAM, Chinh, H. et al.; Foley, Hoag & Eliot, LLP, One Post Office Square, Boston, MA 02109 (US).</p>	<p>(81) Designated States: AL, AM, AT, AU, AZ, BA, BB, BG, BR, BY, CA, CH, CN, CU, CZ, DE, DK, EE, ES, FI, GB, GD, GE, GH, GM, HR, HU, ID, IL, IN, IS, JP, KE, KG, KP, KR, KZ, LC, LK, LR, LS, LT, LU, LV, MD, MG, MK, MN, MW, MX, NO, NZ, PL, PT, RO, RU, SD, SE, SG, SI, SK, SL, TJ, TM, TR, TT, UA, UG, UZ, VN, YU, ZW, ARIPO patent (GH, GM, KE, LS, MW, SD, SL, SZ, UG, ZW), Eurasian patent (AM, AZ, BY, KG, KZ, MD, RU, TJ, TM), European patent (AT, BE, CH, CY, DE, DK, ES, FI, FR, GB, GR, IE, IT, LU, MC, NL, PT, SE), OAPI patent (BF, BJ, CF, CG, CI, CM, GA, GN, GW, ML, MR, NE, SN, TD, TG).</p> <p>Published <i>With international search report.</i> <i>Before the expiration of the time limit for amending the claims and to be republished in the event of the receipt of amendments.</i></p> <p>(88) Date of publication of the international search report: 23 March 2000 (23.03.00)</p>	

(54) Title: SYSTEMS AND METHODS FOR RAPID BLOT SCREENING

(57) Abstract

Systems and methods for processing membrane flow-through assays to provide more rapid testing. The systems include a plate for receiving a cartridge having a membrane which for example, can be a membrane with antigens or antibodies fixed thereon. The agents can be pipetted onto the membrane and the systems can be activated to agitate the cartridge to evenly distribute the agents over the membrane, and a vacuum source can apply negative pressure to one side of the membrane to draw the agent therethrough.



FOR THE PURPOSES OF INFORMATION ONLY

Codes used to identify States party to the PCT on the front pages of pamphlets publishing international applications under the PCT.

AL	Albania	ES	Spain	LS	Lesotho	SI	Slovenia
AM	Armenia	FI	Finland	LT	Lithuania	SK	Slovakia
AT	Austria	FR	France	LU	Luxembourg	SN	Senegal
AU	Australia	GA	Gabon	LV	Latvia	SZ	Swaziland
AZ	Azerbaijan	GB	United Kingdom	MC	Monaco	TD	Chad
BA	Bosnia and Herzegovina	GE	Georgia	MD	Republic of Moldova	TG	Togo
BB	Barbados	GH	Ghana	MG	Madagascar	TJ	Tajikistan
BE	Belgium	GN	Guinea	MK	The former Yugoslav Republic of Macedonia	TM	Turkmenistan
BF	Burkina Faso	GR	Greece			TR	Turkey
BG	Bulgaria	HU	Hungary	ML	Mali	TT	Trinidad and Tobago
BJ	Benin	IE	Ireland	MN	Mongolia	UA	Ukraine
BR	Brazil	IL	Israel	MR	Mauritania	UG	Uganda
BY	Belarus	IS	Iceland	MW	Malawi	US	United States of America
CA	Canada	IT	Italy	MX	Mexico	UZ	Uzbekistan
CF	Central African Republic	JP	Japan	NE	Niger	VN	Viet Nam
CG	Congo	KE	Kenya	NL	Netherlands	YU	Yugoslavia
CH	Switzerland	KG	Kyrgyzstan	NO	Norway	ZW	Zimbabwe
CI	Côte d'Ivoire	KP	Democratic People's Republic of Korea	NZ	New Zealand		
CM	Cameroon			PL	Poland		
CN	China	KR	Republic of Korea	PT	Portugal		
CU	Cuba	KZ	Kazakstan	RO	Romania		
CZ	Czech Republic	LC	Saint Lucia	RU	Russian Federation		
DE	Germany	LI	Liechtenstein	SD	Sudan		
DK	Denmark	LK	Sri Lanka	SE	Sweden		
EE	Estonia	LR	Liberia	SG	Singapore		

INTERNATIONAL SEARCH REPORT

Int. Application No

PCT/US 99/05790

A. CLASSIFICATION OF SUBJECT MATTER

IPC 6 G01N33/53 G01N33/543 B01L3/00

According to International Patent Classification (IPC) or to both national classification and IPC

B. FIELDS SEARCHED

Minimum documentation searched (classification system followed by classification symbols)

IPC 6 G01N B01L

Documentation searched other than minimum documentation to the extent that such documents are included in the fields searched

Electronic data base consulted during the international search (name of data base and, where practical, search terms used)

C. DOCUMENTS CONSIDERED TO BE RELEVANT

Category °	Citation of document, with indication, where appropriate, of the relevant passages	Relevant to claim No.
P,X	WO 99 00655 A (IMMUNETICS) 7 January 1999 (1999-01-07) page 15, paragraph 1 -page 16, paragraph 5; claim 14; figures 1-15 ---	1, 16, 20, 22, 23
P,X	WO 99 05528 A (IMMUNETICS) 4 February 1999 (1999-02-04) page 17, line 15 -page 19, line 25; figures 1-8 ---	1, 16, 20, 22, 23
X	WO 94 08716 A (BAXTER DIAGNOSTICS INC) 28 April 1994 (1994-04-28)	22
Y	page 5, line 7-27 page 10, line 10-33 page 12, line 17 -page 17, line 9 claims 6,9,10; figures 1-5 ---	1-21, 23
	-/--	

Further documents are listed in the continuation of box C.

Patent family members are listed in annex.

° Special categories of cited documents :

- "A" document defining the general state of the art which is not considered to be of particular relevance
- "E" earlier document but published on or after the international filing date
- "L" document which may throw doubts on priority claim(s) or which is cited to establish the publication date of another citation or other special reason (as specified)
- "O" document referring to an oral disclosure, use, exhibition or other means
- "P" document published prior to the international filing date but later than the priority date claimed

- "T" later document published after the international filing date or priority date and not in conflict with the application but cited to understand the principle or theory underlying the invention
- "X" document of particular relevance; the claimed invention cannot be considered novel or cannot be considered to involve an inventive step when the document is taken alone
- "Y" document of particular relevance; the claimed invention cannot be considered to involve an inventive step when the document is combined with one or more other such documents, such combination being obvious to a person skilled in the art.
- "&" document member of the same patent family

Date of the actual completion of the international search	Date of mailing of the international search report
20 January 2000	08/02/2000

Name and mailing address of the ISA European Patent Office, P.B. 5818 Patentlaan 2 NL - 2280 HV Rijswijk Tel. (+31-70) 340-2040, Tx. 31 651 epo nl, Fax: (+31-70) 340-3016	Authorized officer Goetz, M
--	------------------------------------

INTERNATIONAL SEARCH REPORT

International Application No

PCT/US 99/05790

C.(Continuation) DOCUMENTS CONSIDERED TO BE RELEVANT

Category	Citation of document, with indication, where appropriate, of the relevant passages	Relevant to claim No.
Y	EP 0 720 020 A (ORTHO PHARMA CORP) 3 July 1996 (1996-07-03) page 7, line 11-31; figures 1-3 ---	1,16,20, 23
Y	US 5 567 595 A (KOK LIM J) 22 October 1996 (1996-10-22) column 2, line 18-29 column 3, line 7 -column 4, line 16; figures 1-8 ---	1-21,23
Y	US 4 834 946 A (LEVIN ANDREW E) 30 May 1989 (1989-05-30) column 1, line 62 -column 2, line 17 column 8, line 56 -column 9, line 3; figures 1,9,19 ---	1-21,23
Y	WO 90 09455 A (GENECO PTY LTD) 23 August 1990 (1990-08-23) page 33-34; figure 5 -----	1,16,20

INTERNATIONAL SEARCH REPORT

Information on patent family members

International Application No

PCT/US 99/05790

Patent document cited in search report	Publication date	Patent family member(s)	Publication date
WO 9900655 A	07-01-1999	AU 8275998 A	19-01-1999
		AU 3356499 A	11-10-1999
		WO 9947928 A	23-09-1999
WO 9905528 A	04-02-1999	AU 8604298 A	16-02-1999
WO 9408716 A	28-04-1994	AU 5296793 A	09-05-1994
		CA 2125159 A	28-04-1994
		EP 0616555 A	28-09-1994
		JP 7502207 T	09-03-1995
EP 0720020 A	03-07-1996	NONE	
US 5567595 A	22-10-1996	US 5914273 A	22-06-1999
		AT 130530 T	15-12-1995
		AU 635008 B	11-03-1993
		AU 5200090 A	20-06-1991
		CA 2012759 A	13-06-1991
		DE 69023750 D	04-01-1996
		DE 69023750 T	04-07-1996
		DK 434592 T	18-12-1995
		EP 0434592 A	26-06-1991
		ES 2079462 T	16-01-1996
		GB 2239092 A, B	19-06-1991
		GR 3019055 T	31-05-1996
		HK 93297 A	01-08-1997
		JP 2942587 B	30-08-1999
JP 3189562 A	19-08-1991		
NO 901353 A	14-06-1991		
PT 93604 A, B	14-08-1991		
US 4834946 A	30-05-1989	NONE	
WO 9009455 A	23-08-1990	AT 181576 T	15-07-1999
		AU 656514 B	09-02-1995
		AU 5106990 A	05-09-1990
		CA 2044591 A	14-08-1990
		EP 0457824 A	27-11-1991
		IE 66572 B	24-01-1996
		JP 4503158 T	11-06-1992
		SG 50434 A	20-07-1998
		US 5856092 A	05-01-1999