

(19) World Intellectual Property Organization
International Bureau



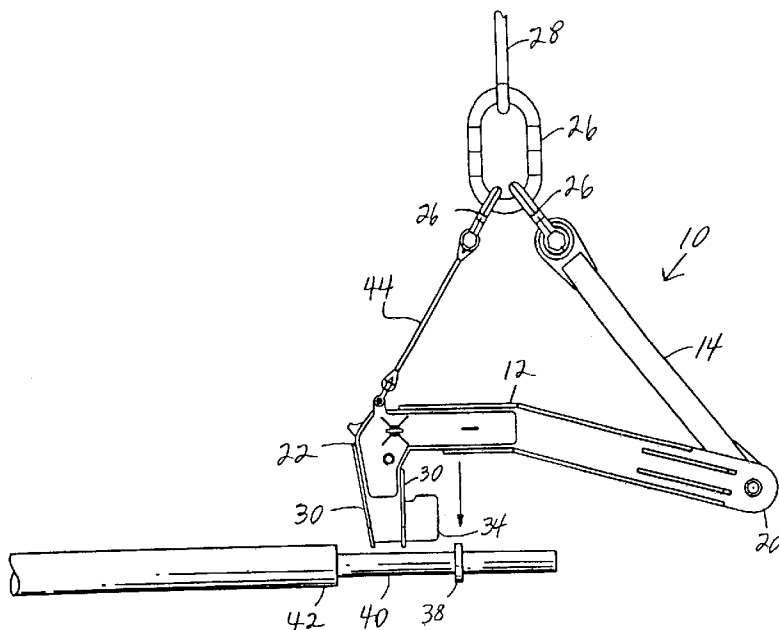
(43) International Publication Date
6 December 2001 (06.12.2001)

PCT

(10) International Publication Number
WO 2001/092676 A3

- (51) International Patent Classification:
F16L 1/00 (2006.01) B63B 35/03 (2006.01)
 - (21) International Application Number:
PCT/US2001/004521
 - (22) International Filing Date: 9 February 2001 (09.02.2001)
 - (25) Filing Language: English
 - (26) Publication Language: English
 - (30) Priority Data:
09/576,364 22 May 2000 (22.05.2000) US
 - (71) Applicant: J. RAY MCDERMOTT, S.A. [US/US]; 1450 Poydras Street, New Orleans, LA 70112 (US).
 - (72) Inventors: MORISI, Ziba; 21540 Provincial Blvd., Apt. 523, Katy, TX 77450 (US). SERPAS, Raymond, Joseph; 839 Webster Street, New Orleans, LA 70119 (US). ZAERINGER, Kevin, Patrick; 1424 Poinsettia Drive, Metairie, LA 70005 (US). CALKINS, Dennis, Earl; 2007 Garden Terrace, Katy, TX 77494 (US).
 - (74) Agents: LAHAYE, D., Neil et al.; McDermott Incorporated, 1450 Poydras Street, New Orleans, LA 70112 (US).
 - (81) Designated States (national): AE, AG, AL, AM, AT, AU, AZ, BA, BB, BG, BR, BY, BZ, CA, CH, CN, CR, CU, CZ, DE, DK, DM, DZ, EE, ES, FI, GB, GD, GE, GH, GM, HR, HU, ID, IL, IN, IS, JP, KE, KG, KP, KR, KZ, LC, LK, LR, LS, LT, LU, LV, MA, MD, MG, MK, MN, MW, MX, MZ, NO, NZ, PL, PT, RO, RU, SD, SE, SG, SI, SK, SL, TJ, TM, TR, TT, TZ, UA, UG, UZ, VN, YU, ZA, ZW.
 - (84) Designated States (regional): ARIPO patent (GH, GM, KE, LS, MW, MZ, SD, SL, SZ, TZ, UG, ZW), Eurasian patent (AM, AZ, BY, KG, KZ, MD, RU, TJ, TM), European patent (AT, BE, CH, CY, DE, DK, ES, FI, FR, GB, GR, IE, IT, LU, MC, NL, PT, SE, TR), OAPI patent (BF, BJ, CF, CG, CI, CM, GA, GN, GW, ML, MR, NE, SN, TD, TG).
- Published:
— with international search report
- (88) Date of publication of the international search report:
20 March 2008

(54) Title: PIPELINE RECOVERY TOOL



(57) Abstract: A pipeline recovery tool (10) is made of steel plates welded together instead of forging and machining. The rigged-up tool (10) is lowered over the pipeline (40) and engaged with the pipeline (40) such that a fixed claw (34) engages the collar (38) on the pipeline. An ROV is used to cause a movable dog (16) on the tool to engage the collar and then lock the fixed claw in position. Rigging on the fixed claw side of the tool is released. The pipeline is then lifted to the surface by a lift arm (14) on the first end of the tool (10).

WO 2001/092676 A3

A. CLASSIFICATION OF SUBJECT MATTER

IPC(7) :F16L 1/00; B63B 35/03

US CL :405/154.1, 158, 173

According to International Patent Classification (IPC) or to both national classification and IPC

B. FIELDS SEARCHED

Minimum documentation searched (classification system followed by classification symbols)

U.S. : 405/154.1, 155, 158, 166, 169, 170, 173

Documentation searched other than minimum documentation to the extent that such documents are included in the fields searched

Electronic data base consulted during the international search (name of data base and, where practicable, search terms used)

C. DOCUMENTS CONSIDERED TO BE RELEVANT

Category*	Citation of document, with indication, where appropriate, of the relevant passages	Relevant to claim No.
X --- Y	US 4,234,268 A (SCODINO) 18 November 1980 (18.11.80), col.5, lines 44-68; col.6, lines 1-68; col.7, lines 1-48).	1 and 3 ----- 2, 4, 5 and 6
Y	US 4,335,752 A (SUMNER) 22 June 1982 (22.06.82), col.5, lines 17-68.	2, 4, 5 and 6
A	US 5,934,832 A (BAUGH) 10 August 1999 (10.08.99), entire document.	1-6
A	US 4,444,528 A (SCODINO et al) 24 April 1984 (24.04.84), entire document.	1-6

 Further documents are listed in the continuation of Box C. See patent family annex.

* Special categories of cited documents:	"T" later document published after the international filing date or priority date and not in conflict with the application but cited to understand the principle or theory underlying the invention
"A" document defining the general state of the art which is not considered to be of particular relevance	"X" document of particular relevance; the claimed invention cannot be considered novel or cannot be considered to involve an inventive step when the document is taken alone
"E" earlier document published on or after the international filing date	"Y" document of particular relevance; the claimed invention cannot be considered to involve an inventive step when the document is combined with one or more other such documents, such combination being obvious to a person skilled in the art
"L" document which may throw doubts on priority claim(s) or which is cited to establish the publication date of another citation or other special reason (as specified)	"&" document member of the same patent family
"O" document referring to an oral disclosure, use, exhibition or other means	
"P" document published prior to the international filing date but later than the priority date claimed	

Date of the actual completion of the international search

08 MAY 2001

Date of mailing of the international search report

20 JUN 2001

Name and mailing address of the ISA/US
Commissioner of Patents and Trademarks
Box PCT
Washington, D.C. 20231

Facsimile No. (703) 305-3230

Authorized officer

JONG-SUK LEE *Diane Smith f*

Telephone No. (703) 308-6777