



US00D719009S

(12) **United States Design Patent**  
**Russo et al.**

(10) **Patent No.:** **US D719,009 S**

(45) **Date of Patent:** **\*\* Dec. 9, 2014**

(54) **HINGE**

FOREIGN PATENT DOCUMENTS

(71) Applicant: **Barrette Outdoor Living, Inc.**,  
Middleburg Heights, OH (US)

WO 9015912 12/1990  
WO 2012174039 A1 12/2012

(72) Inventors: **Daniel Russo**, Brecksville, OH (US);  
**Mark DeZolt**, Lakewood, OH (US)

OTHER PUBLICATIONS

(73) Assignee: **Barrette Outdoor Living, Inc.**,  
Middleburg Heights, OH (US)

Poly Vinyl Creations Fence Manufacturer re Tru Close Regular—  
Standard for gates up to 66 lbs/ 30 kg; <http://www.polyvinylc.com/DanDTechnologyDetails.php?ID=17>[Nov. 7, 2013 5:33:35 PM].

(\*\*) Term: **14 Years**

*Primary Examiner* — Cynthia Underwood

(21) Appl. No.: **29/475,784**

(74) *Attorney, Agent, or Firm* — Luedeka Neely Group, PC

(22) Filed: **Dec. 6, 2013**

(51) **LOC (10) Cl.** ..... **08-06**

(57) **CLAIM**

The ornamental design for a hinge, as shown and described.

(52) **U.S. Cl.**

USPC ..... **D8/323; D8/328**

(58) **Field of Classification Search**

CPC ..... E05Y 2900/00; E05D 3/00; E05D 1/00

USPC ..... D8/323, 327, 328, 329; D23/303;

4/236, 240; 16/225, 250, 682, 309,

16/235, 275, 244, 379, 390, 430, 241, 238,

16/245, 236, 243, 242, 385, 331, 274

See application file for complete search history.

**DESCRIPTION**

FIG. 1 is a front perspective view of a hinge cover shown reduced in scale for ease of illustration and mounted onto a fence post and gate;

FIG. 2 is a front perspective view of the hinge of FIG. 1;

FIG. 3 is another front perspective view of the hinge of FIG. 1;

FIG. 4 is a front plan view of the hinge of FIG. 1;

FIG. 5 is a rear plan view of the hinge of FIG. 1;

FIG. 6 is a top plan view of the hinge of FIG. 1;

FIG. 7 is a bottom plan view of the hinge of FIG. 1

FIG. 8 is a left end view of the hinge of FIG. 1; and,

FIG. 9 is a right end view of the hinge of FIG. 1.

The broken lines in the drawings are included for the purpose of illustrating unclaimed features and form no part of the claimed design.

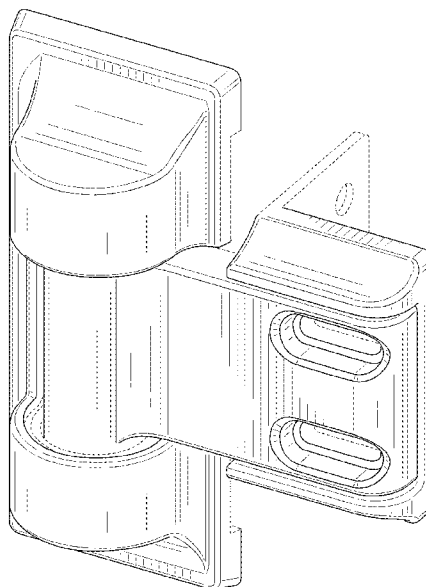
(56) **References Cited**

U.S. PATENT DOCUMENTS

924,422 A	6/1909	Bommer	
1,127,688 A	2/1915	Smith	
2,248,493 A	7/1941	Curtiss, Jr.	
2,777,157 A	1/1957	Burke	
3,748,688 A *	7/1973	Berkowitz	16/247
4,570,291 A	2/1986	Smith et al.	
4,574,715 A	3/1986	Dietrich, Sr. et al.	
4,631,777 A *	12/1986	Takimoto	16/315

(Continued)

**1 Claim, 8 Drawing Sheets**



(56)

References Cited

U.S. PATENT DOCUMENTS

5,191,729 A 3/1993 Verseef  
D348,201 S \* 6/1994 Ferrari ..... D8/323  
D395,590 S \* 6/1998 Finkelstein et al. .... D8/323  
5,991,975 A 11/1999 Baer  
6,178,694 B1 1/2001 Wagnitz  
6,401,298 B1 \* 6/2002 Lenz ..... 16/335  
6,557,210 B2 \* 5/2003 Kincaid ..... 16/250  
6,752,438 B2 6/2004 DeSouza  
7,584,523 B1 \* 9/2009 Finkelstein et al. .... 16/260

D627,690 S \* 11/2010 Madden ..... D12/126  
7,870,642 B1 \* 1/2011 Finkelstein et al. .... 16/260  
7,945,996 B2 \* 5/2011 Gunderson ..... 16/312  
D645,725 S \* 9/2011 Katz et al. .... D8/327  
8,020,253 B1 \* 9/2011 Finkelstein et al. .... 16/250  
D684,839 S \* 6/2013 Oshima ..... D8/323  
8,534,625 B2 9/2013 Heath et al.  
D700,036 S \* 2/2014 Oshima ..... D8/323  
2003/0200623 A1 10/2003 Hung  
2004/0093689 A1 5/2004 Sosa et al.  
2008/0179580 A1 7/2008 McGinness et al.  
2011/0099754 A1 5/2011 Stull

\* cited by examiner

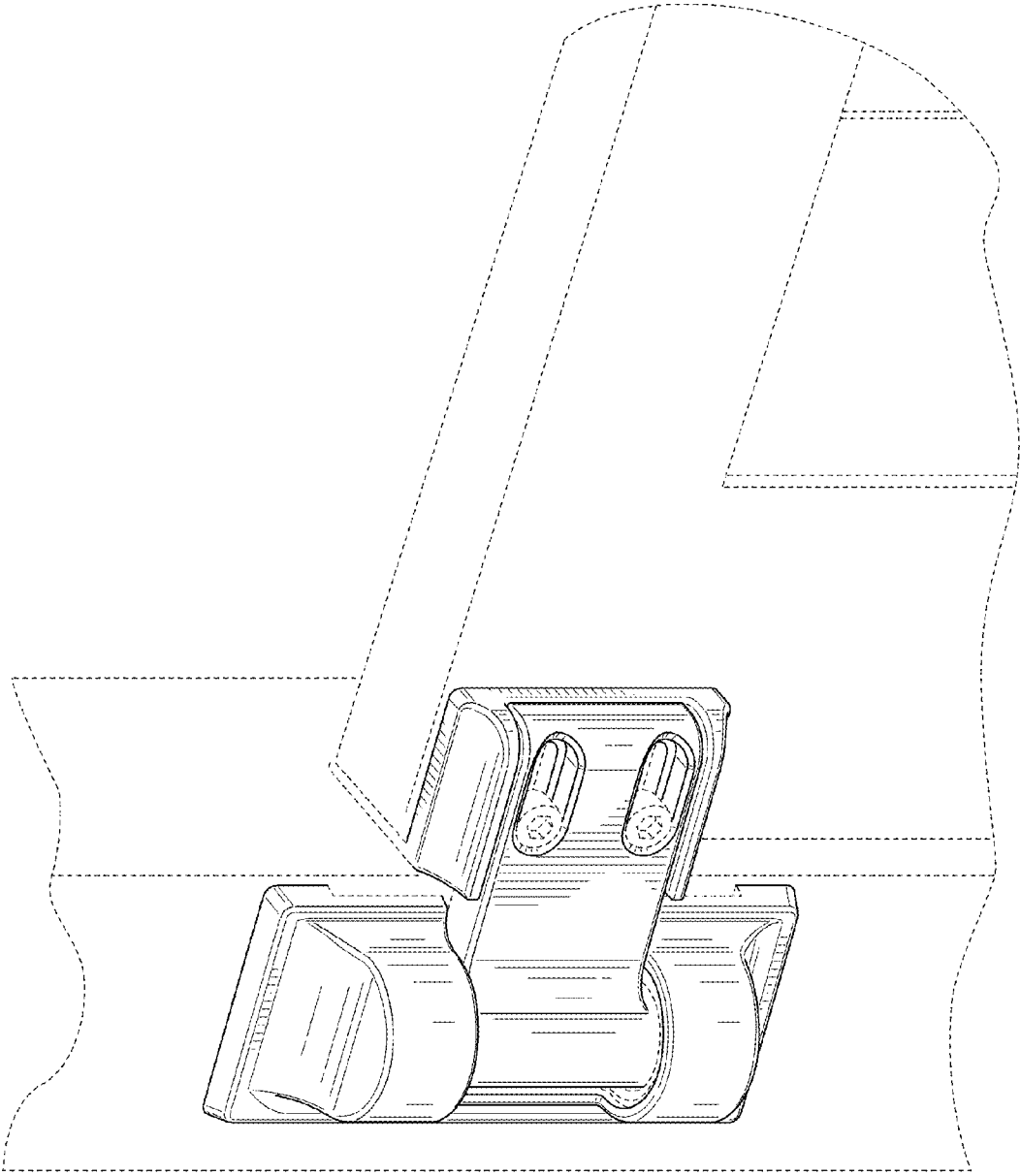


FIG. 7

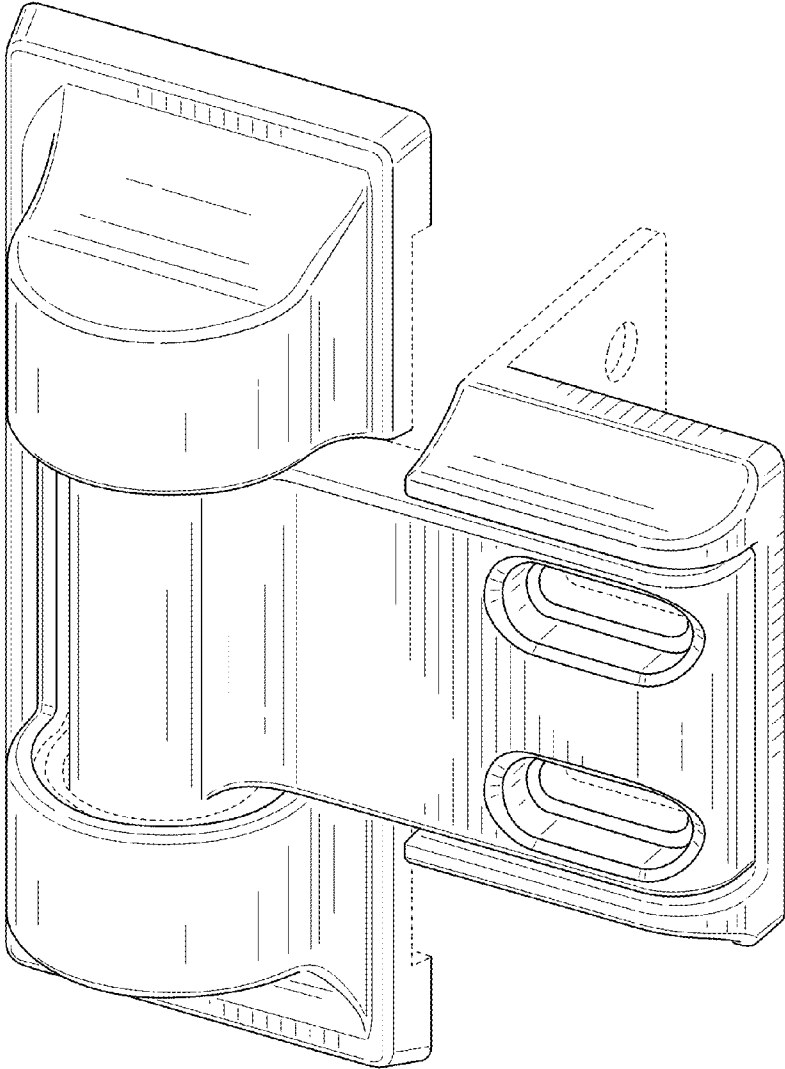


FIG. 2

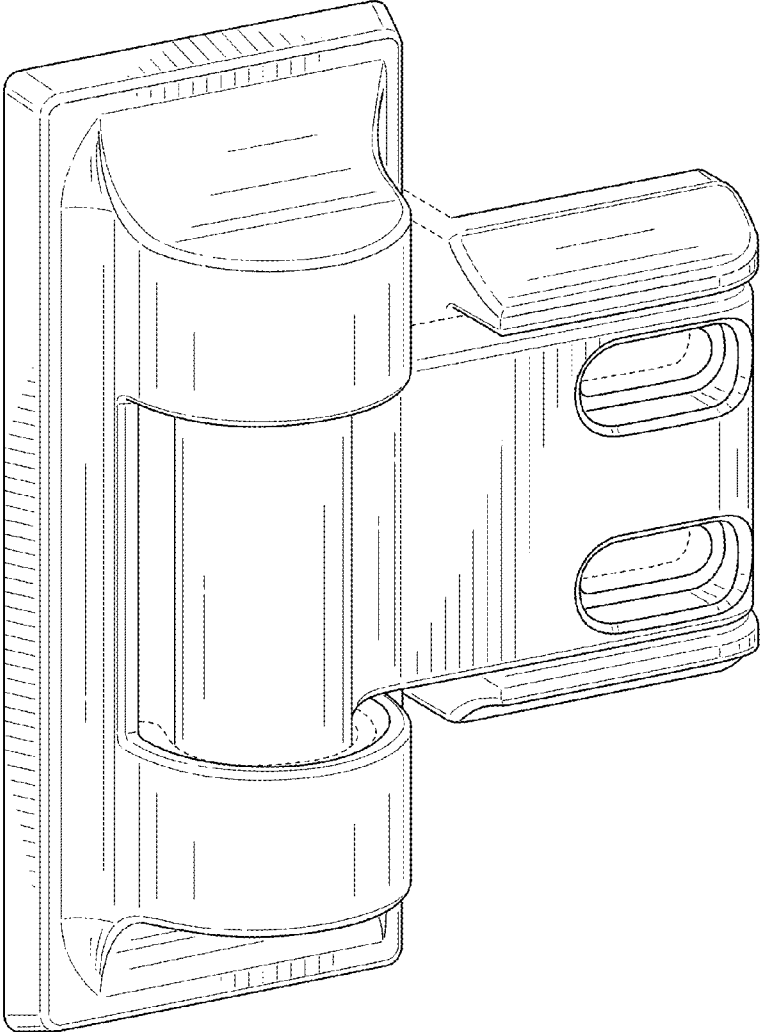


FIG. 3

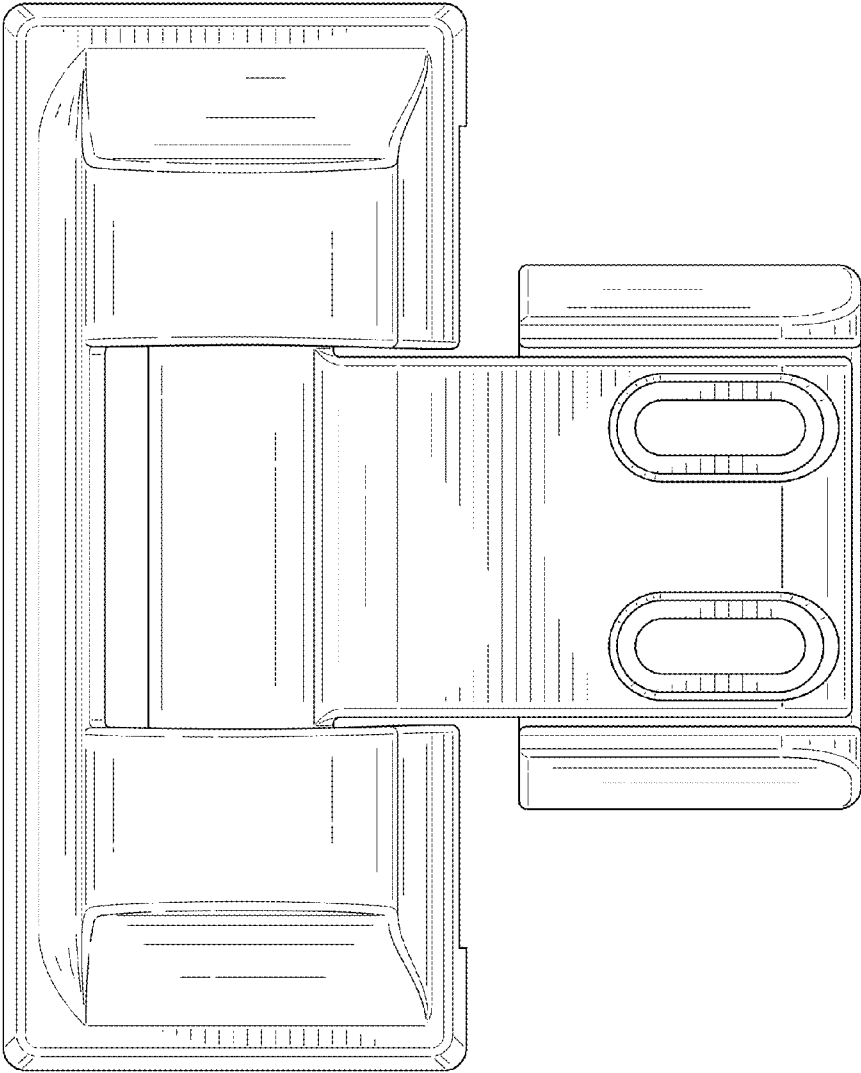


FIG. 4

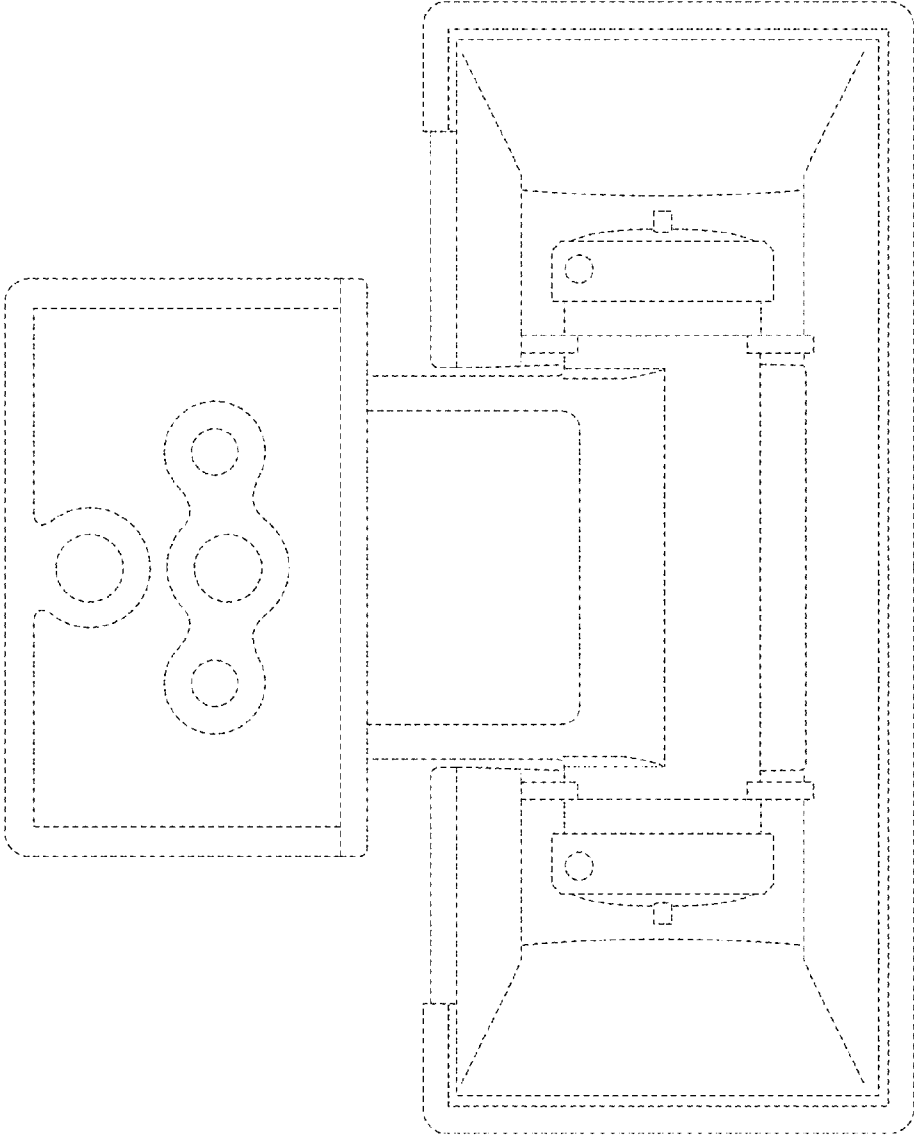


FIG. 5

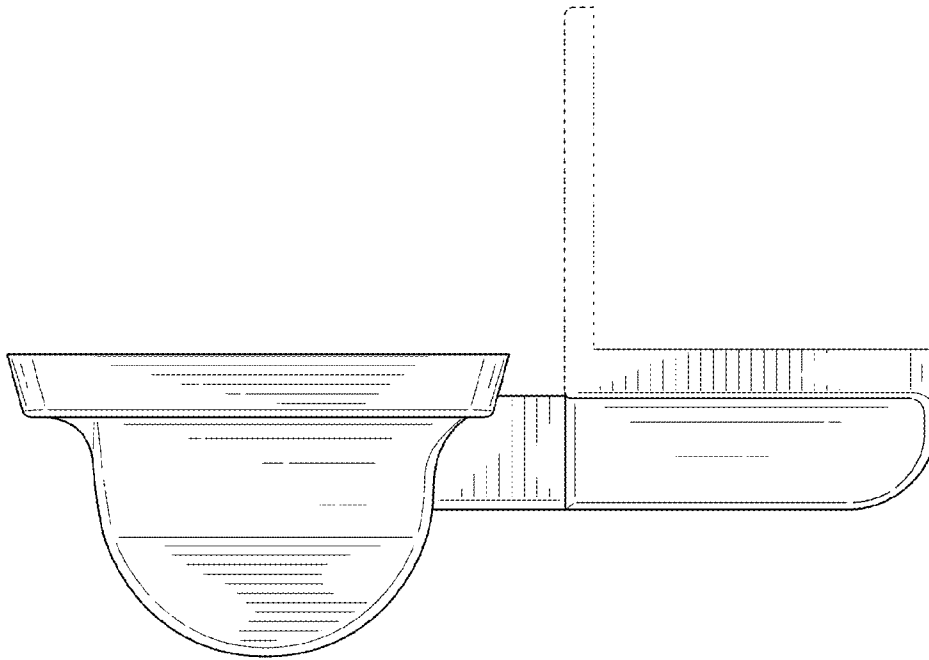


FIG. 6

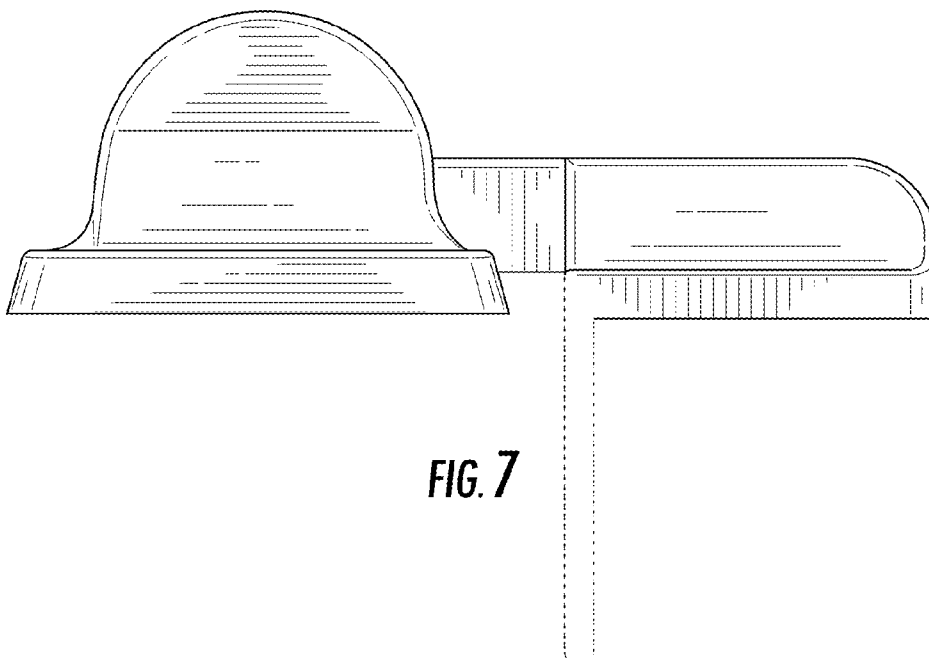


FIG. 7

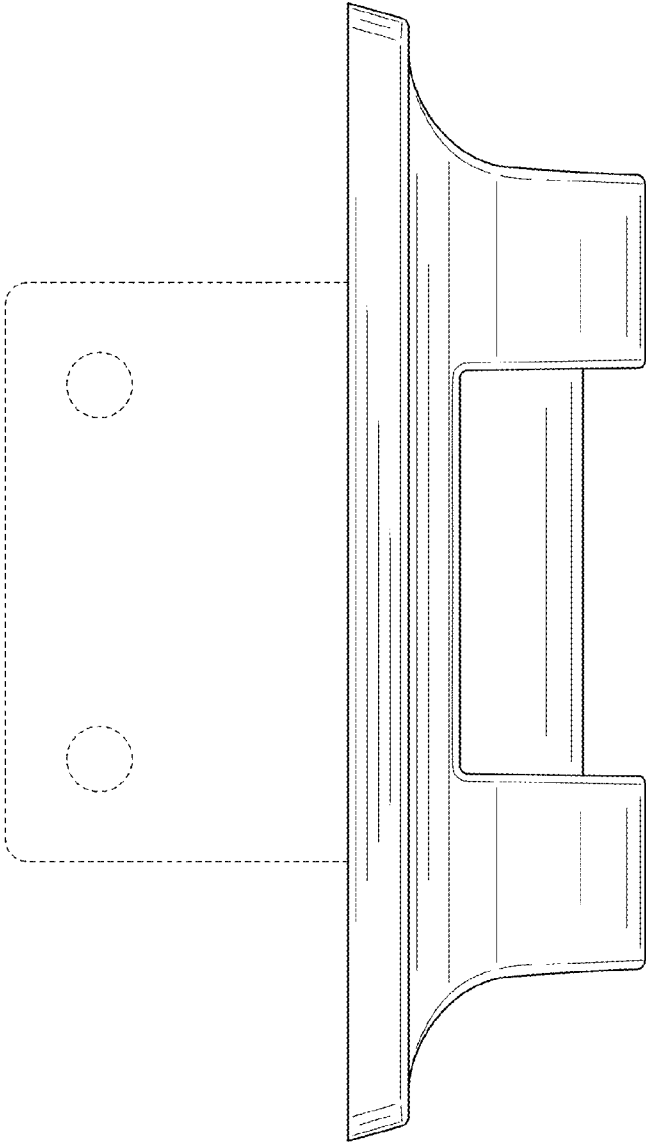


FIG. 8

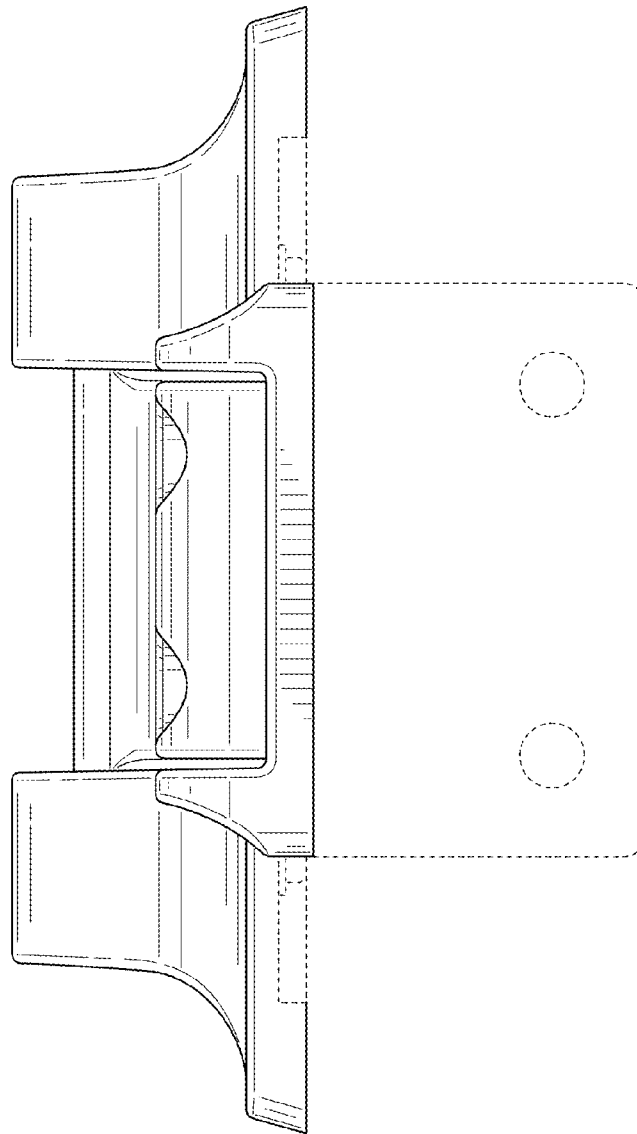


FIG. 9