



US00D717685S

(12) **United States Design Patent**
Bailey et al.

(10) **Patent No.:** **US D717,685 S**

(45) **Date of Patent:** **** Nov. 18, 2014**

(54) **EXPANDABLE ARMBAND**
(71) Applicant: **Thalmic Labs Inc., Kitchener (CA)**
(72) Inventors: **Matthew Bailey, Kitchener (CA);**
Stephen E. Orzel, Hamilton (CA);
Graham T. Hills, Hamilton (CA); Kirk
A. Mosna, Ancaster (CA)

D646,192 S * 10/2011 Woode D11/3
D654,622 S * 2/2012 Hsu D28/41
D661,613 S * 6/2012 Demeglio D11/3
D682,727 S * 5/2013 Bulgari D11/16
D695,454 S * 12/2013 Moore D28/41
2005/0005637 A1* 1/2005 Rapport 63/1.14
2006/0037359 A1* 2/2006 Stinespring 63/3.1

* cited by examiner

(73) Assignee: **Thalmic Labs Inc., Kitchener (CA)**

Primary Examiner — Cathron Brooks

Assistant Examiner — Llorellys Martinez-Rivera

(**) Term: **14 Years**

(74) *Attorney, Agent, or Firm* — Seed IP Law PLLC

(21) Appl. No.: **29/490,952**

(22) Filed: **May 15, 2014**

(51) **LOC (10) Cl.** **11-01**

(52) **U.S. Cl.**

USPC **D11/3**

(58) **Field of Classification Search**

USPC D11/1-30, 79, 81, 82, 84, 86, 90, 162;
63/1.11, 1.13, 1.14, 1.15, 1.16, 3, 3.1,
63/3.2, 4, 5.1, 7, 9, 10, 11, 12, 15, 15.1,
63/15.2, 15.3, 15.45, 15.5, 15.9, 24, 26,
63/33, 34, 39, 40, 41; D10/30-32, 38, 46;
D30/151-153; D7/632, 633, 634;
368/276-278, 281-283; D28/41

See application file for complete search history.

(56) **References Cited**

U.S. PATENT DOCUMENTS

1,411,995 A * 4/1922 Dull D11/15
5,081,852 A * 1/1992 Cox 63/3
5,251,189 A * 10/1993 Thorp 368/282
D503,646 S * 4/2005 Rapport D11/3
6,880,364 B1 * 4/2005 Vidolin et al. 63/40

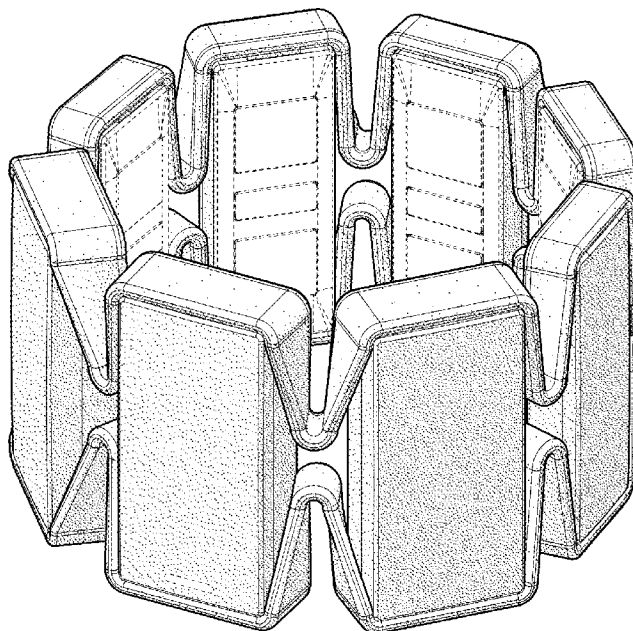
(57) **CLAIM**

The ornamental design for an expandable armband, as shown and described.

DESCRIPTION

FIG. 1 is a top isometric view of an expandable armband showing our new design;
FIG. 2 is a bottom isometric view thereof.
FIG. 3 is a top plan view thereof.
FIG. 4 is a bottom plan view thereof.
FIG. 5 is a front elevational view thereof.
FIG. 6 is a rear elevational view thereof.
FIG. 7 is a left side elevational view thereof; and,
FIG. 8 is a right side elevational view thereof.
Stippling and contour lines shown in the drawings indicate areas of light and shadow, and the contours of the armband, and do not indicate surface decoration.
In the drawings, the broken lines illustrate portions of the expandable armband that form no part of the claimed design.

1 Claim, 6 Drawing Sheets



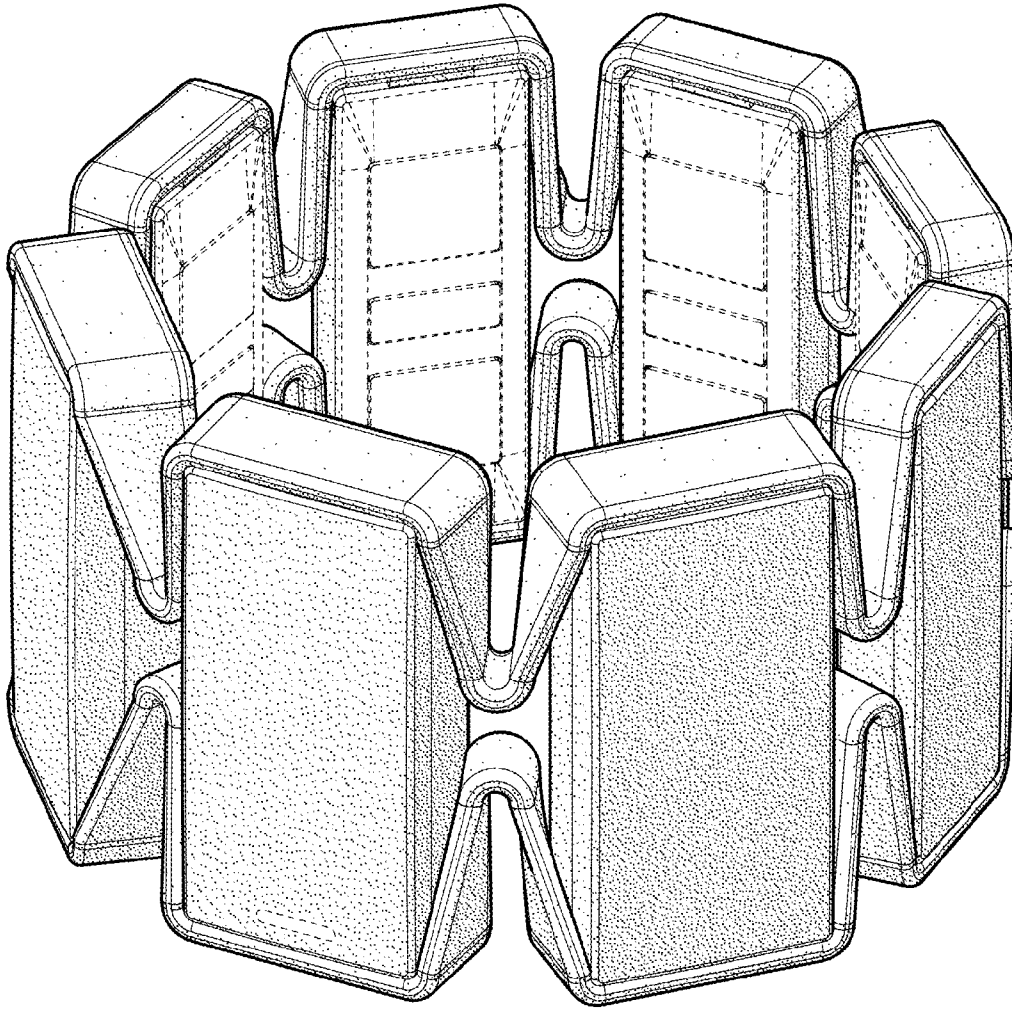


FIG. 1

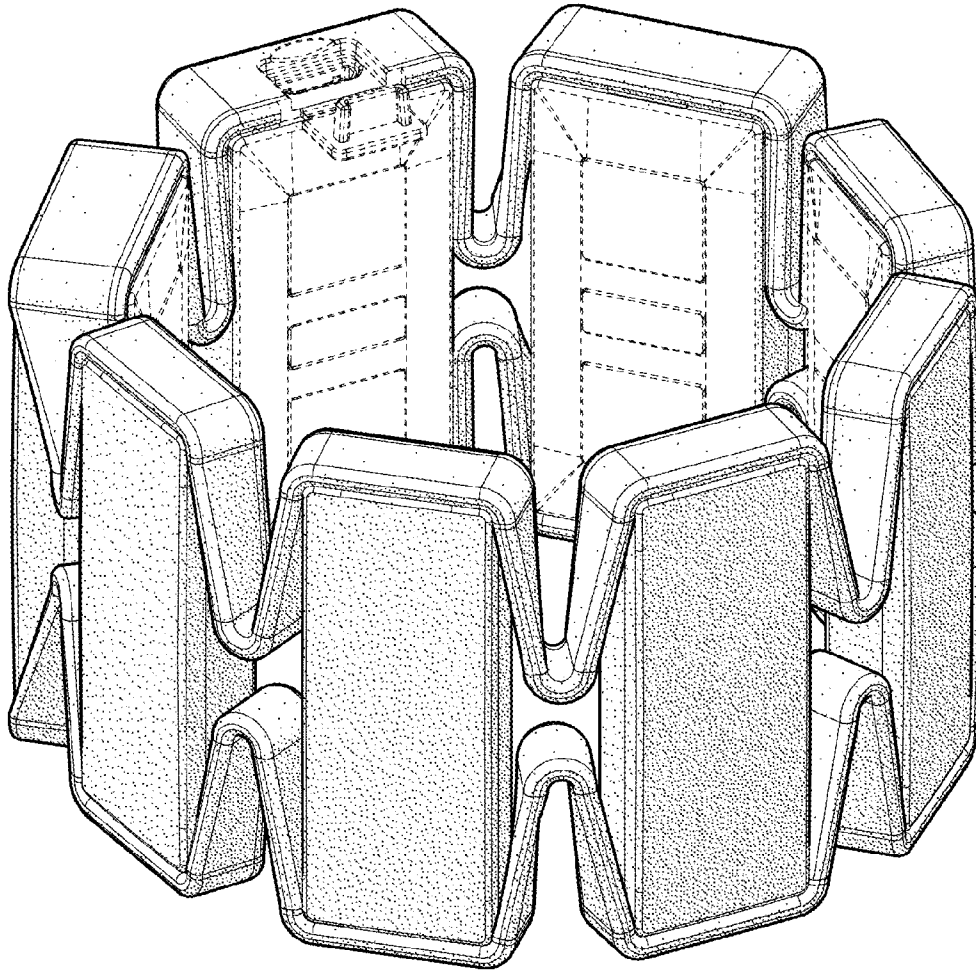


FIG. 2

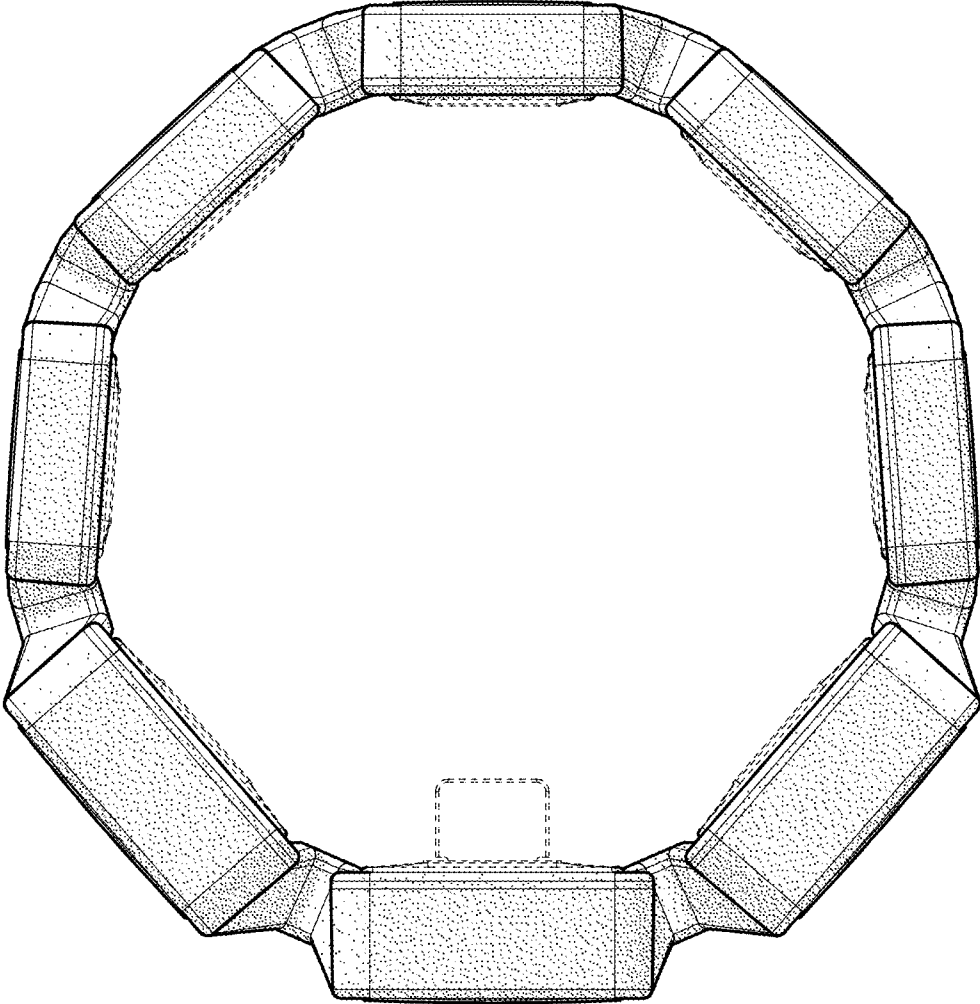


FIG. 3

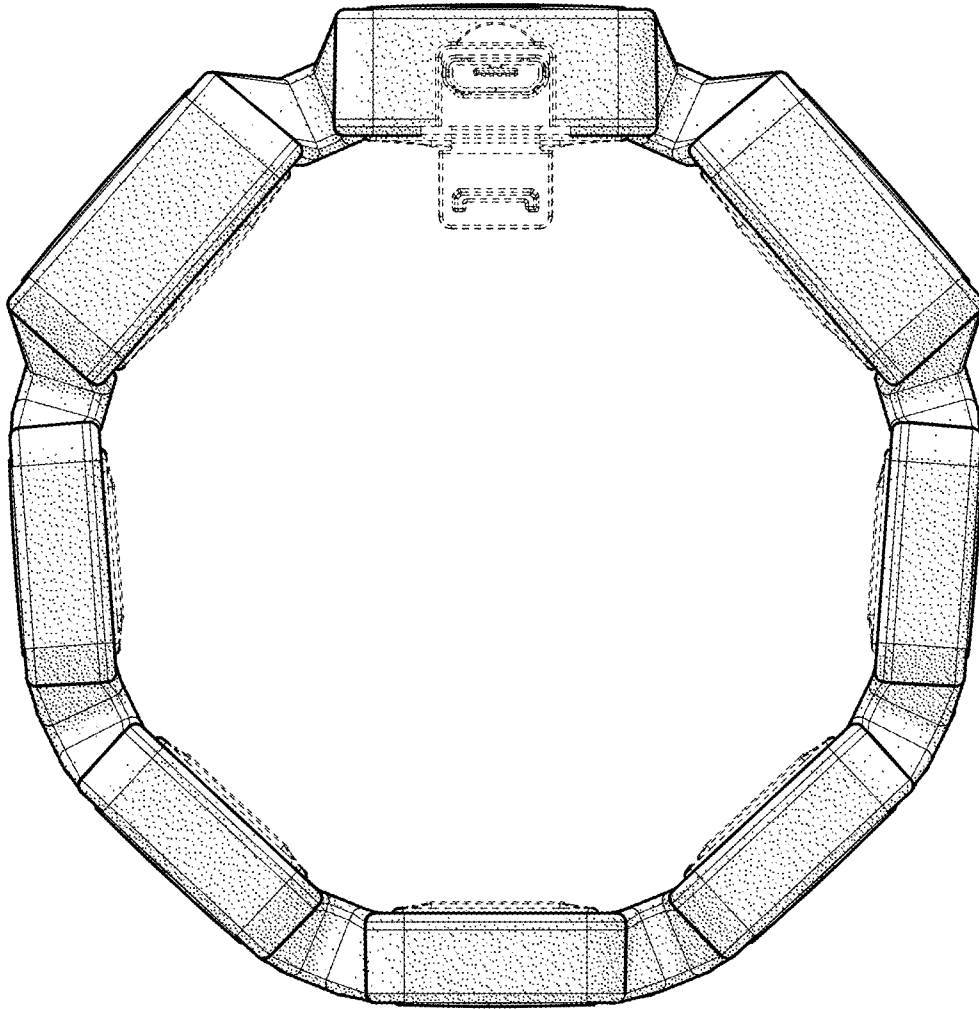


FIG. 4

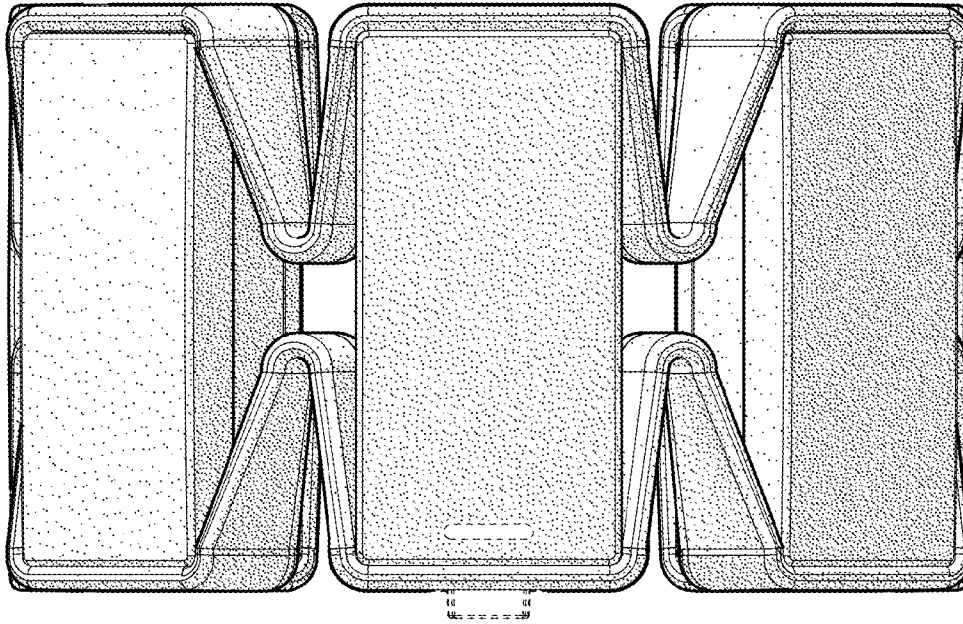


FIG. 5

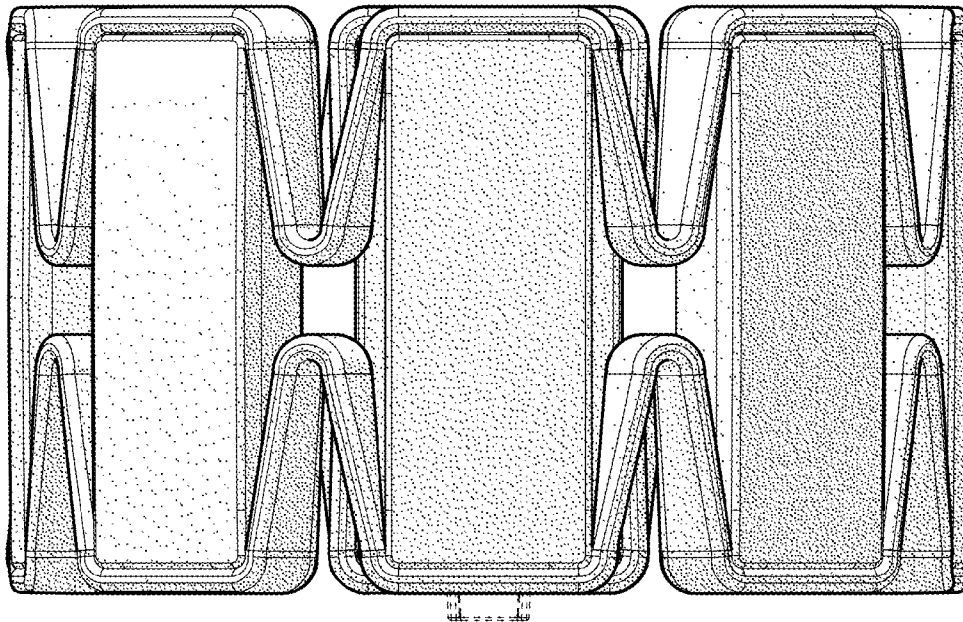


FIG. 6

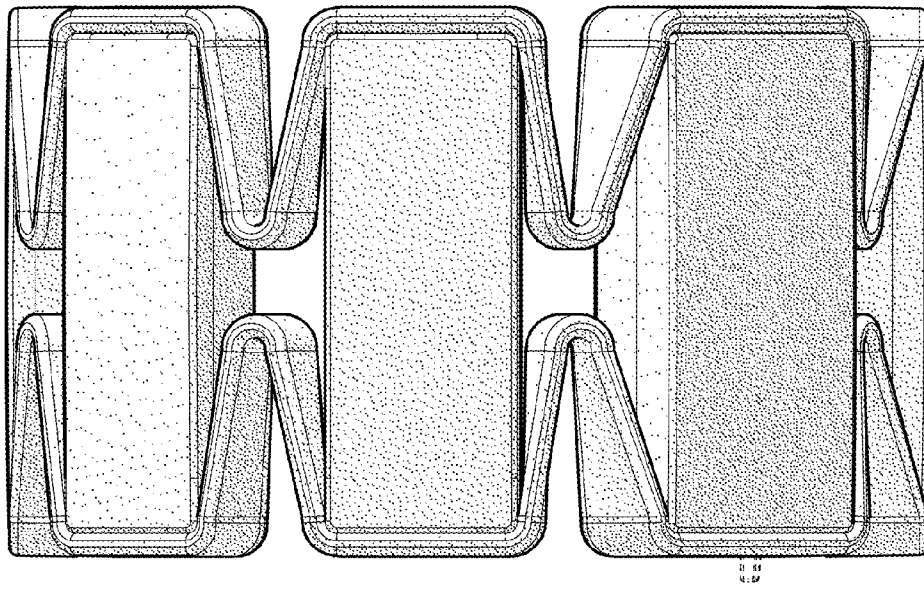


FIG. 7

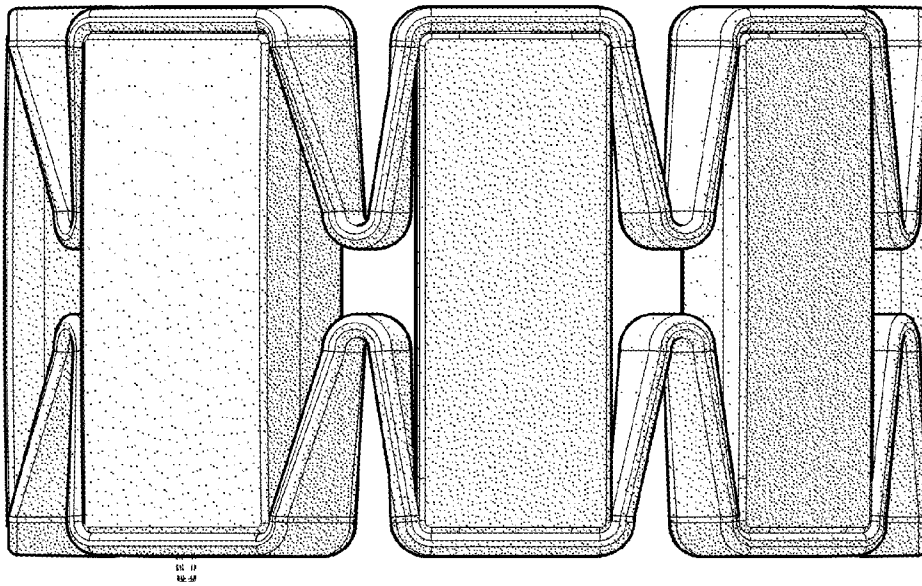


FIG. 8