



(12) **United States Design Patent**  
**Jung et al.**

(10) **Patent No.:** **US D815,105 S**  
(45) **Date of Patent:** **\*\* Apr. 10, 2018**

(54) **STAND FOR MONITOR**

FOREIGN PATENT DOCUMENTS

(71) Applicant: **Samsung Electronics Co., Ltd.**,  
Suwon-si (KR)

CN 303423448 \* 10/2015  
KR 300331559 S 8/2003

(Continued)

(72) Inventors: **Minjoon Jung**, Seoul (KR); **Taeyeon Won**, Seoul (KR)

OTHER PUBLICATIONS

(73) Assignee: **SAMSUNG ELECTRONICS CO., LTD.**, Gyeonggi-Do (KR)

Samsung. <URL: <http://www.samsung.com/uk/monitors/curved-cfg70fq/LC27FG70FQXEN/>> May 27, 2017. Samsung 27" 144Hz Professional Gaming Monitor.\*

(\*\*) Term: **15 Years**

*Primary Examiner* — Thomas Johannes

*Assistant Examiner* — Lauren McVey

(21) Appl. No.: **29/594,583**

(74) *Attorney, Agent, or Firm* — Cantor Colburn LLP

(22) Filed: **Feb. 21, 2017**

(57) **CLAIM**

The ornamental design for a stand for monitor, as shown and described.

(30) **Foreign Application Priority Data**

Aug. 30, 2016 (KR) ..... 30-2016-0042469

**DESCRIPTION**

(51) **LOC (11) Cl.** ..... **14-02**

FIG. 1 is a front right-side perspective view of a stand for monitor showing our new design in a first position;

(52) **U.S. Cl.**

FIG. 2 is a front view thereof;

USPC ..... **D14/452**

FIG. 3 is a rear view thereof;

(58) **Field of Classification Search**

FIG. 4 is a left-side view thereof;

USPC ..... D14/447-452, 336, 341, 371, 373, 374,  
D14/375, 376, 377, 126, 127, 128, 129

FIG. 5 is a right-side view thereof;

CPC .... F16M 11/105; F16M 11/10; F16M 11/048;  
F16M 11/12; F16M 13/022

FIG. 6 is a top view thereof;

See application file for complete search history.

FIG. 7 is a bottom view thereof;

FIG. 8 is rear right-side perspective view thereof shown in an alternate position;

(56) **References Cited**

U.S. PATENT DOCUMENTS

D592,621 S \* 5/2009 Han ..... D14/126  
D635,975 S \* 4/2011 Seo ..... D14/374  
D649,947 S \* 12/2011 Won ..... D14/126  
D657,792 S \* 4/2012 Lee ..... D14/374  
D682,797 S \* 5/2013 Lee ..... D14/126  
D688,674 S \* 8/2013 Lau ..... D14/452  
D704,156 S \* 5/2014 Lee ..... D14/126

FIG. 9 is another right-side perspective view thereof shown with environment in another alternate position;

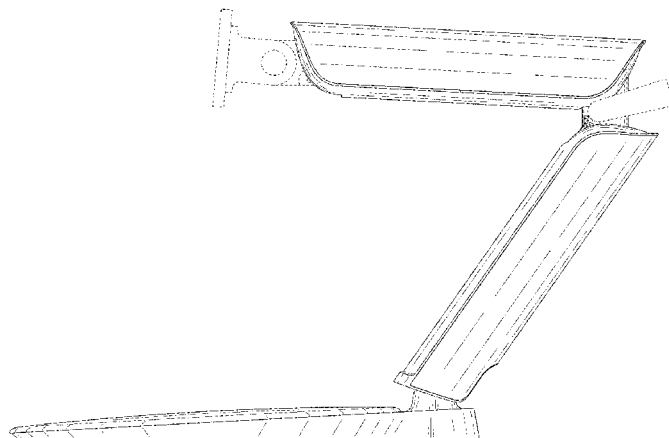
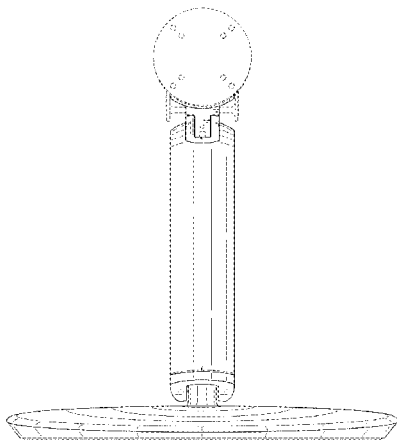
FIG. 10 is another right-side perspective view thereof shown with environment in another alternate position; and,

FIG. 11 is a left-side perspective view in a first position shown with environment.

The broken lines immediately adjacent the claim represent the bounds of the claimed design while all other broken lines are directed to environment and are for illustrative purposes only; the broken lines form no part of the claimed design.

(Continued)

**1 Claim, 11 Drawing Sheets**



(56)

**References Cited**

U.S. PATENT DOCUMENTS

D733,156 S \* 6/2015 Choi ..... D14/447  
D733,157 S \* 6/2015 Kim ..... D14/447  
D758,375 S \* 6/2016 Won ..... D14/451  
D774,037 S \* 12/2016 Kang ..... D14/451  
D799,483 S \* 10/2017 Won ..... D14/376  
2015/0308608 A1\* 10/2015 Lei ..... F16M 11/10  
361/679.01

FOREIGN PATENT DOCUMENTS

KR 300429927 S 11/2006  
KR 300645412 S 6/2012  
WO D086150-001 \* 10/2015

\* cited by examiner

FIG. 1

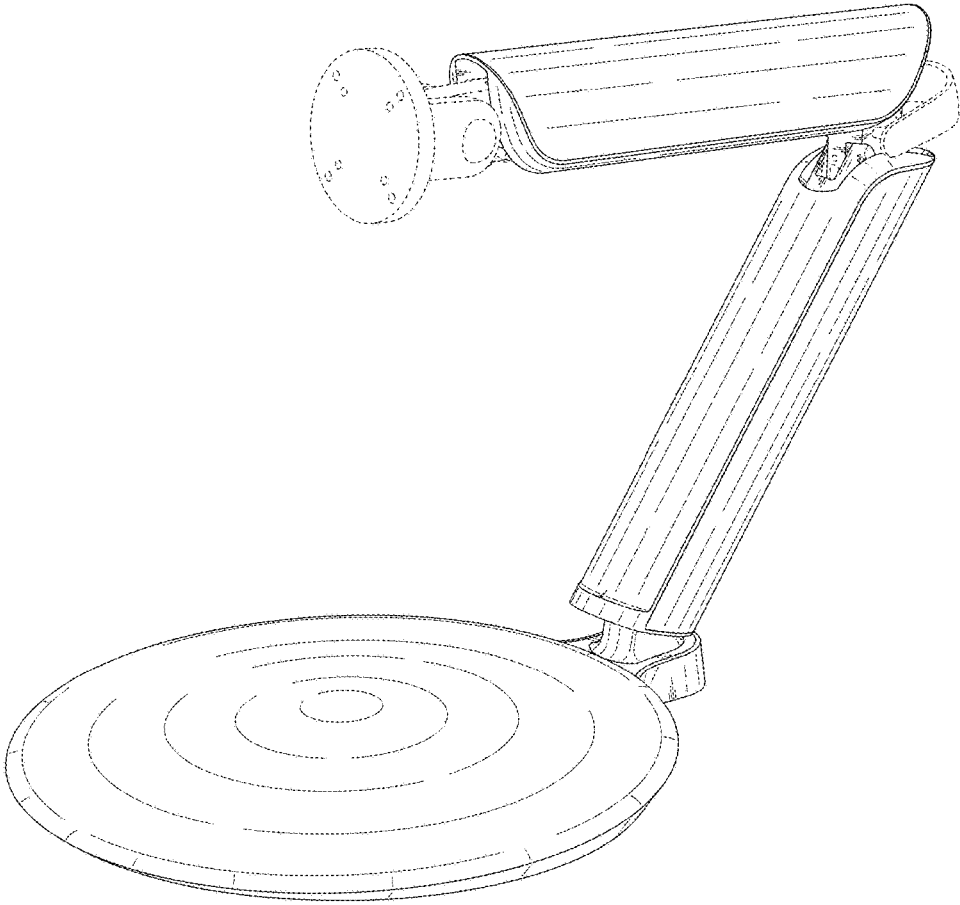


FIG. 2

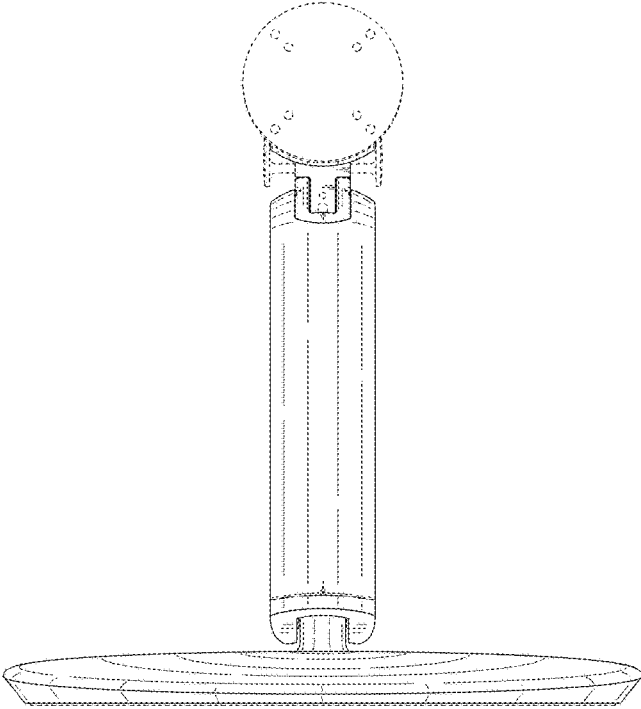


FIG. 3

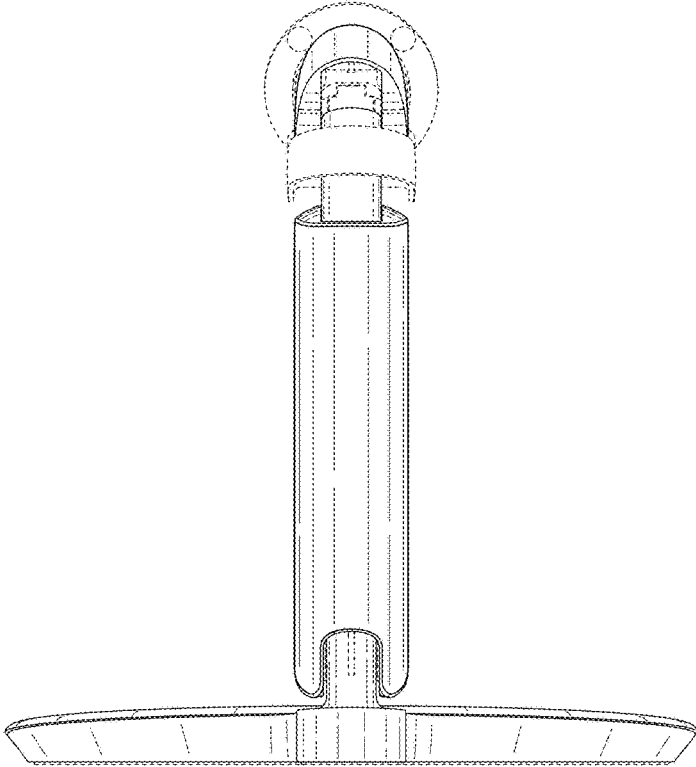


FIG. 4

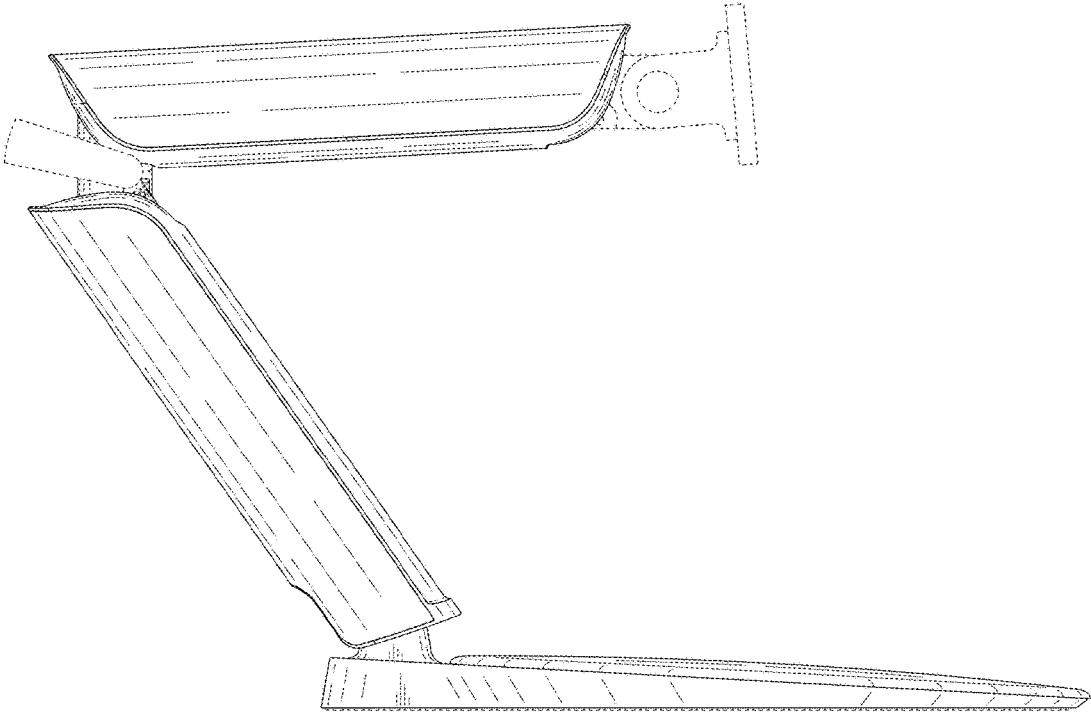


FIG. 5

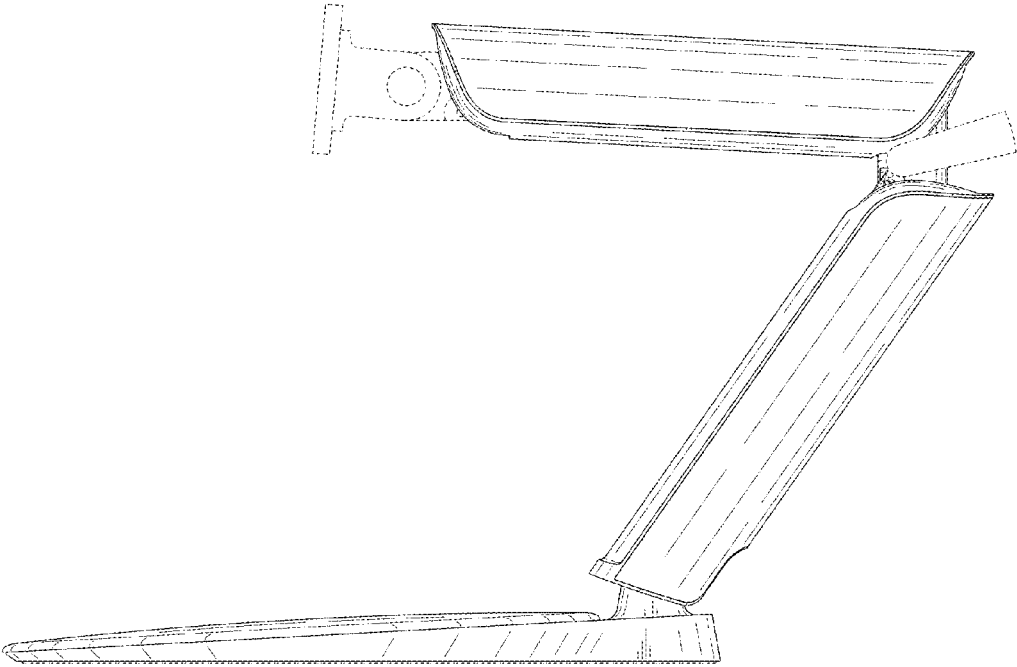


FIG. 6

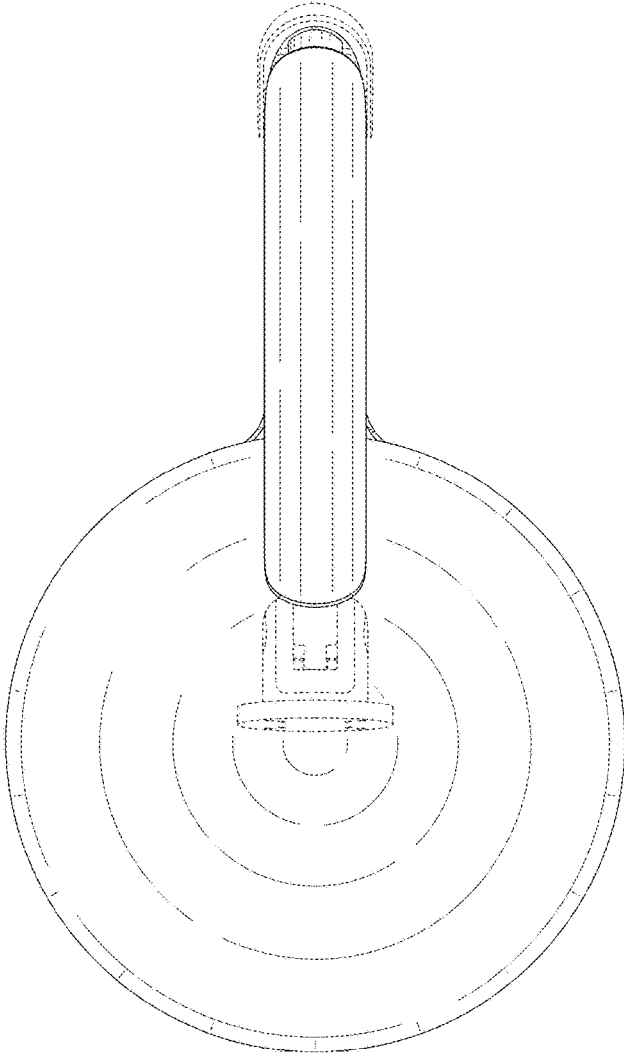




FIG. 7

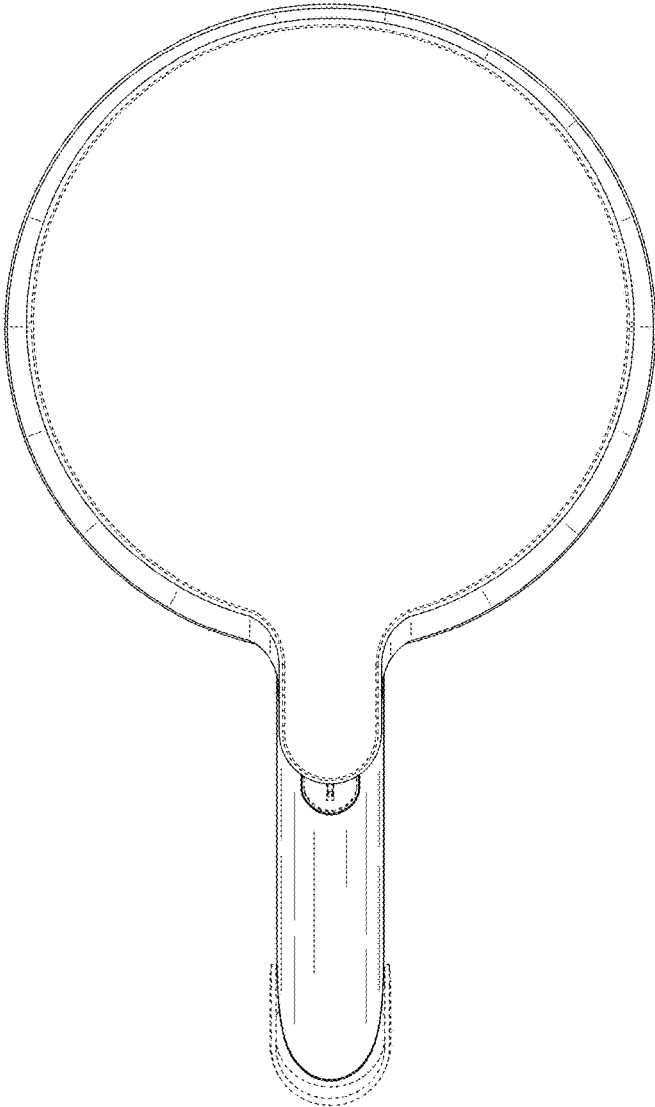


FIG. 8

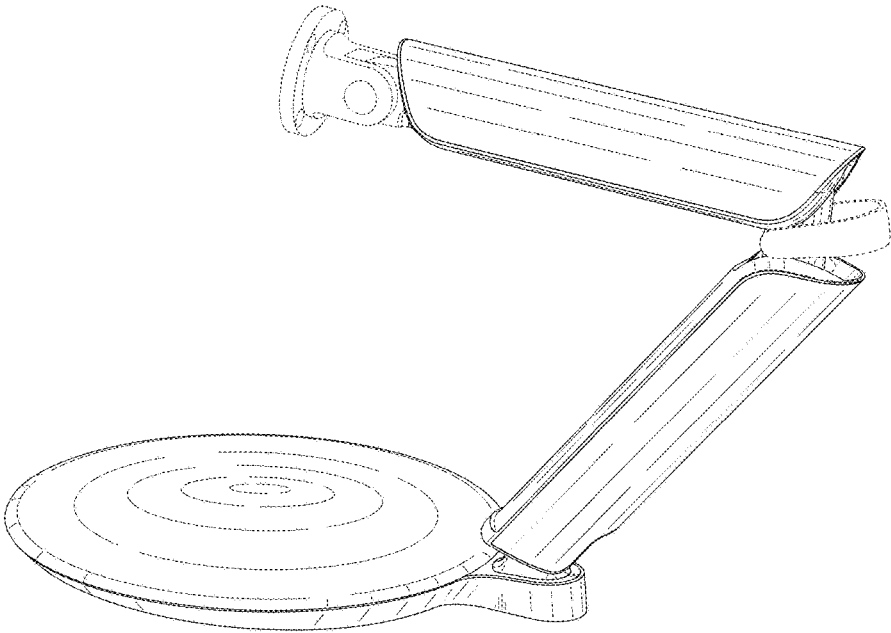


FIG. 9

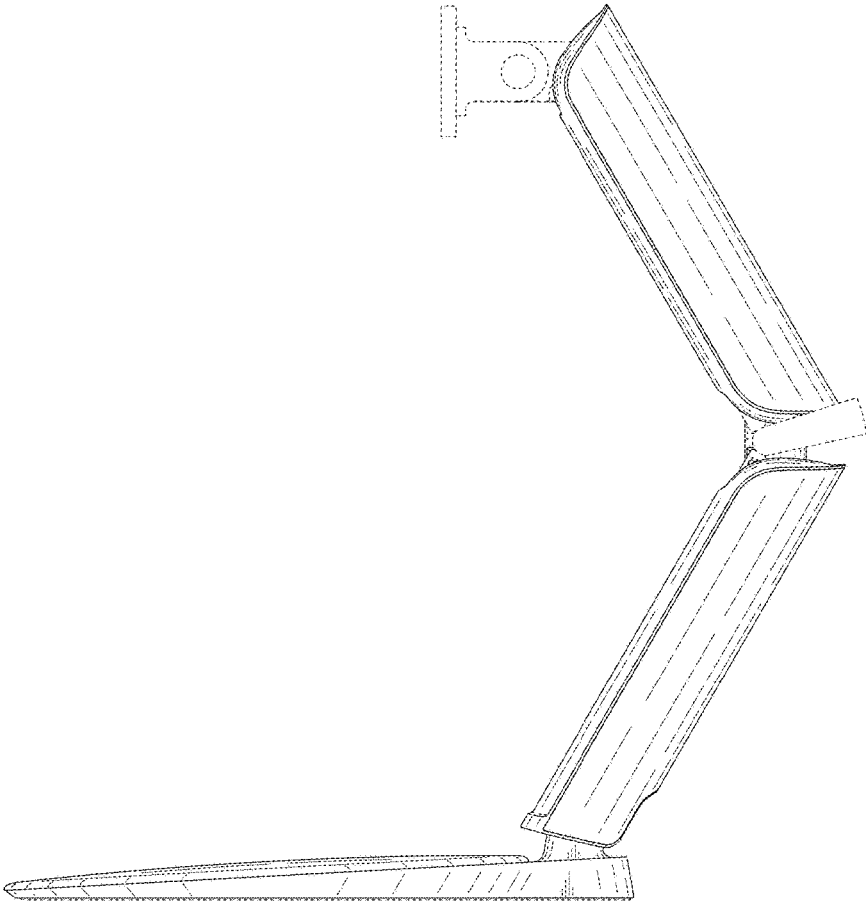


FIG. 10

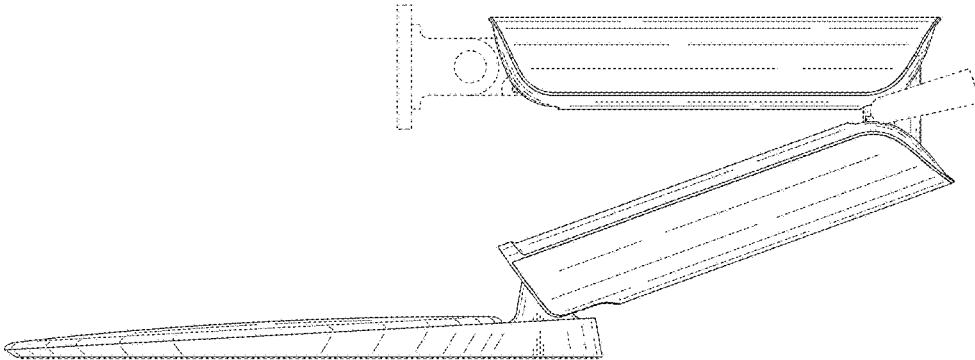


FIG. 11

