



US00D669070S

(12) **United States Design Patent**
Hsu et al.

(10) **Patent No.:** **US D669,070 S**

(45) **Date of Patent:** **** Oct. 16, 2012**

(54) **PORTABLE DISPLAY DEVICE**

(75) Inventors: **Wei-Chih Hsu**, Taipei (TW); **Shi Kuan Chen**, Taipei (TW); **Hong-Tien Wang**, Taipei (TW); **Po-Hsien Yang**, Taipei (TW); **Hsiang-Ling Liu**, Taipei (TW)

(73) Assignee: **Compal Electronics, Inc.**, Taipei (TW)

(**) Term: **14 Years**

(21) Appl. No.: **29/389,144**

(22) Filed: **Apr. 7, 2011**

(51) **LOC (9) Cl.** **14-02**

(52) **U.S. Cl.** **D14/341**

(58) **Field of Classification Search** D14/341-347, D14/137, 138, 138.1, 138 A, 138 AA, 138 R, D14/138 AB, 138 AC, 138 AD, 138 C, 138 G, D14/496, 203.1, 203.3, 203.4, 203.5, 203.7, D14/426, 427, 432, 429, 129, 130, 420, 439-441, D14/448, 125, 126, 147, 156, 218, 247-248, D14/250, 389, 388, 315-318; D10/65, 104; D18/6-7; D21/324, 329, 330; D19/26, 59, D19/60; 455/556.1, 556.2, 566, 575.1, 90.3; 379/433.04, 433.01, 433.06, 916; 345/169, 345/173, 901, 905; 361/679.26, 679.27, 361/679.3, 679.55, 679.56

See application file for complete search history.

(56) **References Cited**

U.S. PATENT DOCUMENTS

4,777,746 A	*	10/1988	Brooks	40/773
D333,574 S	*	3/1993	Ackeret	D6/300
D504,889 S	*	5/2005	Andre et al.	D14/341
D561,137 S	*	2/2008	Hsiung	D14/129
D591,518 S	*	5/2009	Zhai et al.	D6/308
D602,259 S	*	10/2009	Finnegan	D6/300
D613,510 S	*	4/2010	Tzeng et al.	D6/308

D614,601 S	*	4/2010	Kataoka et al.	D14/142
D615,083 S	*	5/2010	Andre et al.	D14/341
D615,306 S	*	5/2010	Ji et al.	D6/308
D617,793 S	*	6/2010	Chiang et al.	D14/341
D620,933 S	*	8/2010	Ludlum et al.	D14/371
D626,437 S	*	11/2010	Lee et al.	D10/65
D637,596 S	*	5/2011	Akana et al.	D14/341
D639,267 S	*	6/2011	DeLorenzo et al.	D14/142
D640,663 S	*	6/2011	Arnholt et al.	D14/138 G
D642,561 S	*	8/2011	Tang et al.	D14/336
D645,833 S	*	9/2011	Seflic et al.	D14/138 G
D649,968 S	*	12/2011	Li	D14/341
D653,661 S	*	2/2012	Ohrstrom	D14/341
D657,795 S	*	4/2012	Smith et al.	D14/447

* cited by examiner

Primary Examiner — Barbara Fox

(74) *Attorney, Agent, or Firm* — Bacon & Thomas, PLLC

(57) **CLAIM**

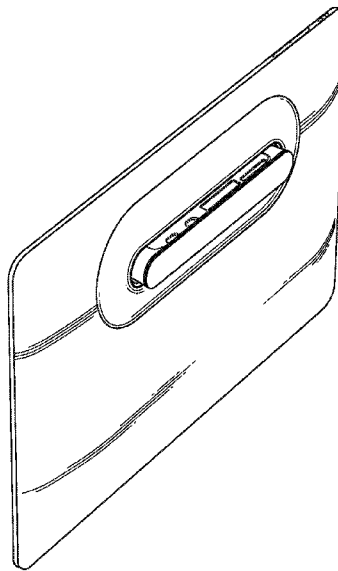
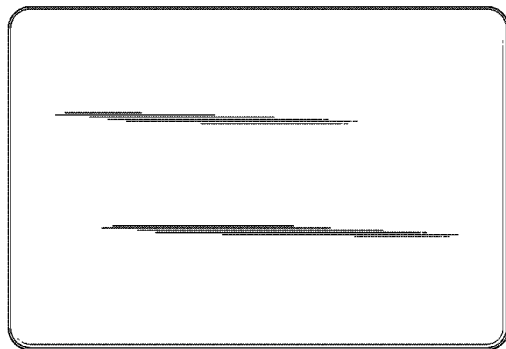
The ornamental design for the portable display device, as shown and described.

DESCRIPTION

FIG. 1 is a perspective view of a portable display device showing our new design;
FIG. 2 is a front view thereof;
FIG. 3 is a rear view thereof;
FIG. 4 is a left side view thereof;
FIG. 5 is a right side view thereof;
FIG. 6 is a top plan view thereof;
FIG. 7 is a bottom plan view thereof;
FIG. 8 is a perspective view thereof, shown in an alternate position; and,
FIG. 9 is an additional view of FIG. 8 but showing additional unclaimed subject matter.

The broken lines shown in the drawings represent portions of the portable display device which form no part of the claimed design.

1 Claim, 7 Drawing Sheets



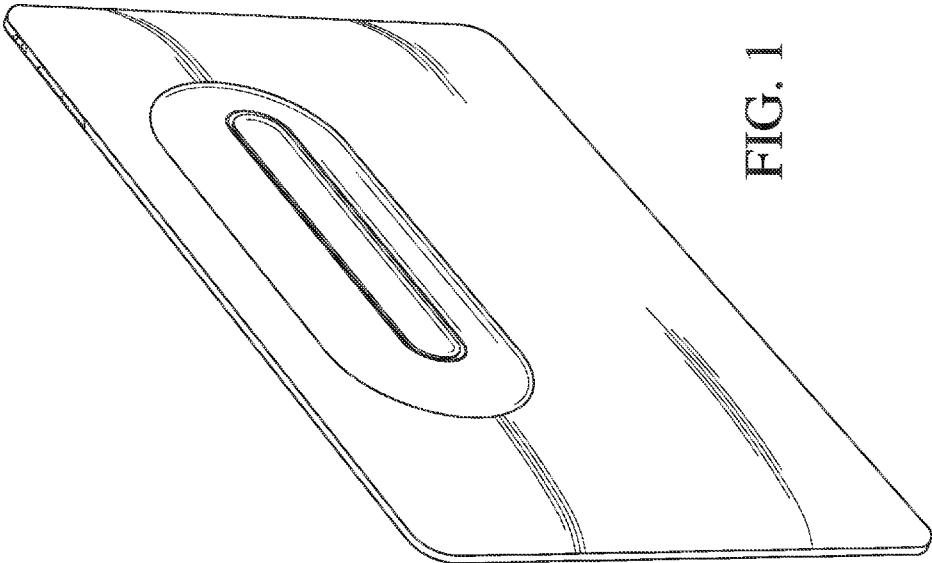


FIG. 1

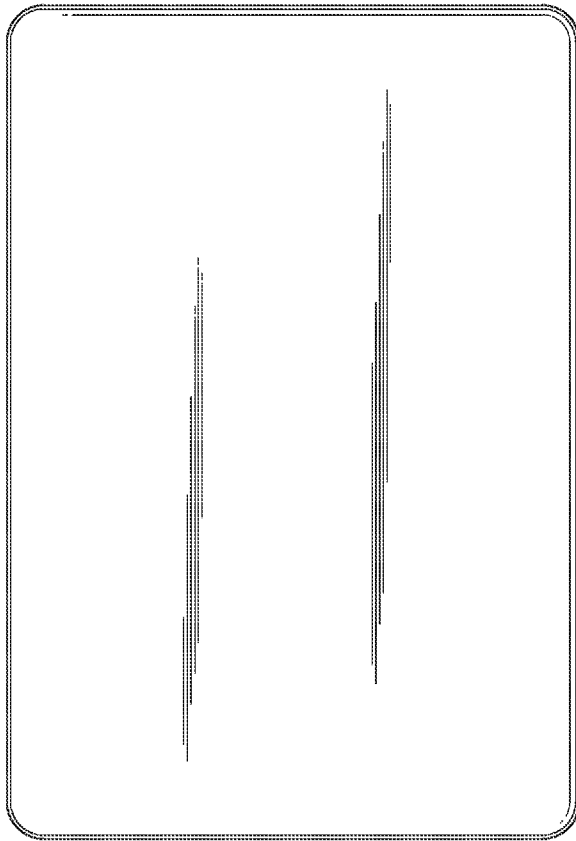


FIG. 2

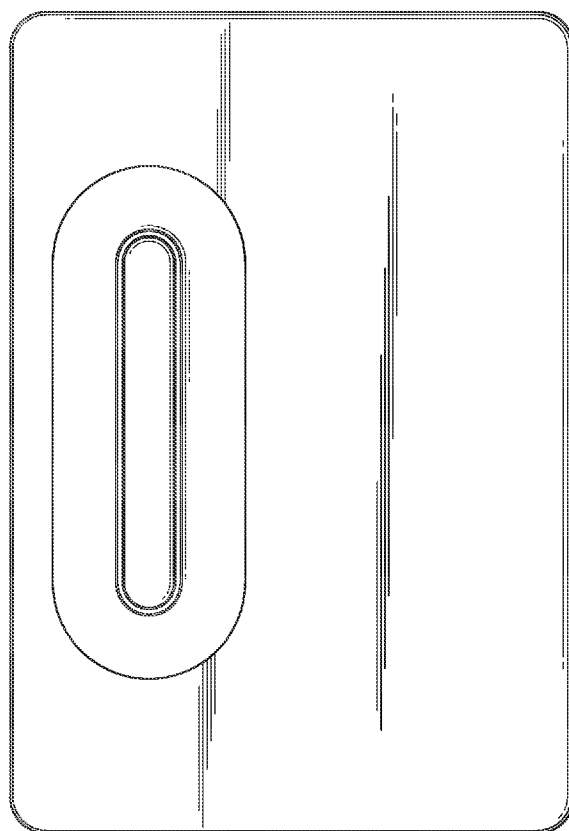


FIG. 3

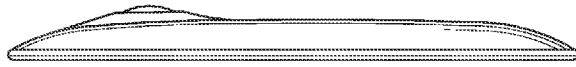


FIG. 5



FIG. 4



FIG. 6

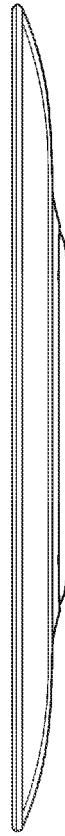


FIG. 7

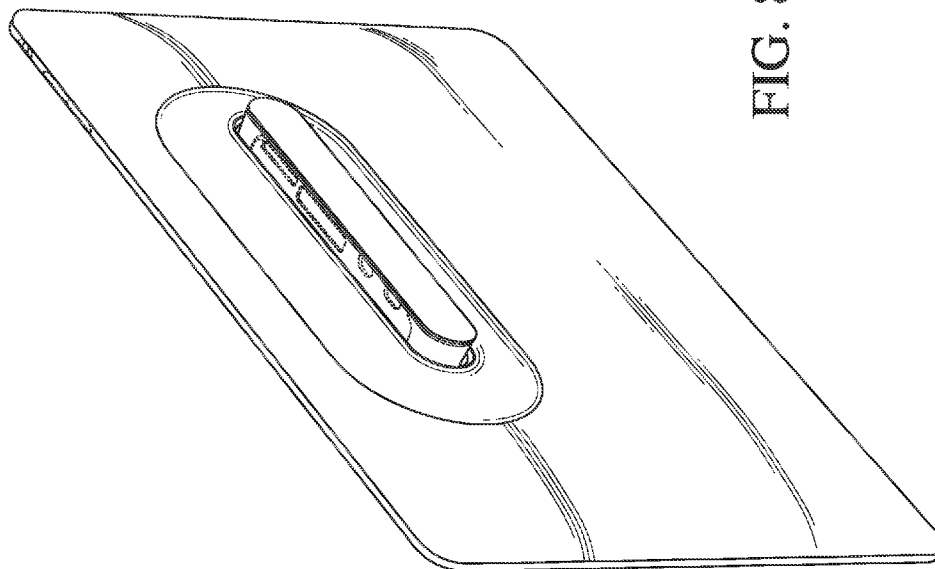


FIG. 8

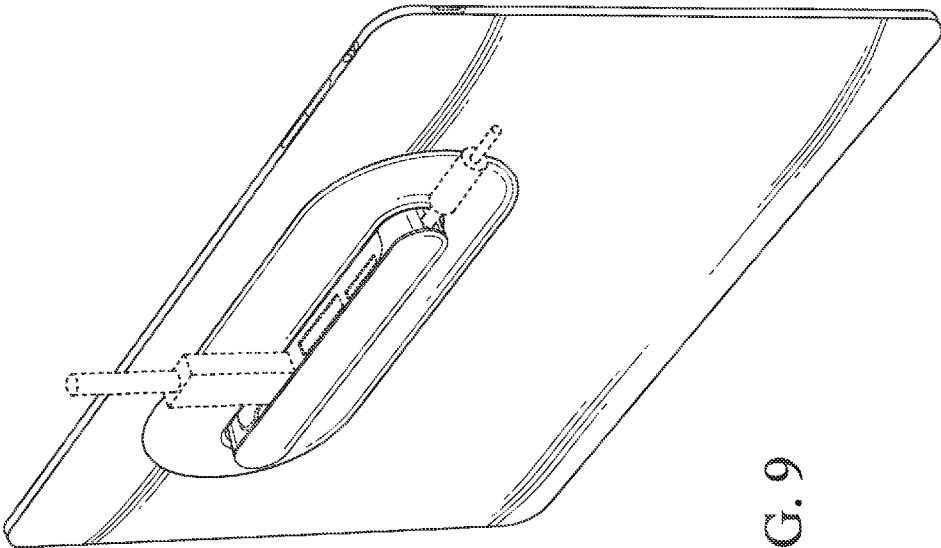


FIG. 9