



US00D995254S

(12) **United States Design Patent**
Wang et al.

(10) **Patent No.:** **US D995,254 S**

(45) **Date of Patent:** **** Aug. 15, 2023**

(54) **SCREWS AND HEX KEY STORAGE PLATE KIT**

(71) Applicant: **SHENZHEN NEEWER TECHNOLOGY CO. LTD**, Shenzhen (CN)

(72) Inventors: **Jun Wang**, Shenzhen (CN); **Yan Ke**, Shenzhen (CN); **Jilin Liao**, Shenzhen (CN); **Chao He**, Shenzhen (CN)

(**) Term: **15 Years**

(21) Appl. No.: **29/888,543**

(22) Filed: **Mar. 31, 2023**

(51) **LOC (14) Cl.** **08-05**

(52) **U.S. Cl.**
USPC **D8/71**

(58) **Field of Classification Search**
USPC D9/414-418, 423, 432, 424, 428, 500, D9/457; D3/295-296, 315; D8/71; D20/42, 99; D28/73
CPC B65D 73/0014; B65D 73/0035; B65D 85/28; B25H 3/02; B25H 3/003; B25H 3/04; B25H 3/026; B25H 5/00; B25H 1/04

See application file for complete search history.

(56) **References Cited**

U.S. PATENT DOCUMENTS

D206,409 S *	12/1966	Murphy et al.	D3/20
D213,933 S *	4/1969	Folkman	D24/230
D253,126 S *	10/1979	Baxter	D24/226
D269,791 S *	7/1983	Chatham	D19/78
D285,617 S *	9/1986	Stillwagon	D28/83
D308,699 S *	6/1990	Ancona	D19/75

D380,380 S *	7/1997	Quinton	D9/737
D541,612 S	5/2007	Lin et al.	
D629,227 S *	12/2010	Nielsen	D6/407
D642,039 S	7/2011	Forsberg et al.	
D651,499 S	1/2012	Tong	
D658,373 S	5/2012	Gros	
D727,023 S	4/2015	Robinson et al.	
D918,475 S *	5/2021	Hu	D28/73
D945,847 S *	3/2022	Chen	D3/319
D977,255 S *	2/2023	Hu	D3/319

OTHER PUBLICATIONS

SmallRig Screws and Hex Key Storage Plate, posted on Mar. 10, 2021[online], [retrieved on Apr. 7, 2023] Retrieved from internet:https://www.amazon.com/SmallRig-Screws-Storage-Stainless-MD3184/dp/B08YK9X7GC (Year: 2021).*

* cited by examiner

Primary Examiner — Michael A. Pratt
(74) *Attorney, Agent, or Firm* — Xiaofang Zhong

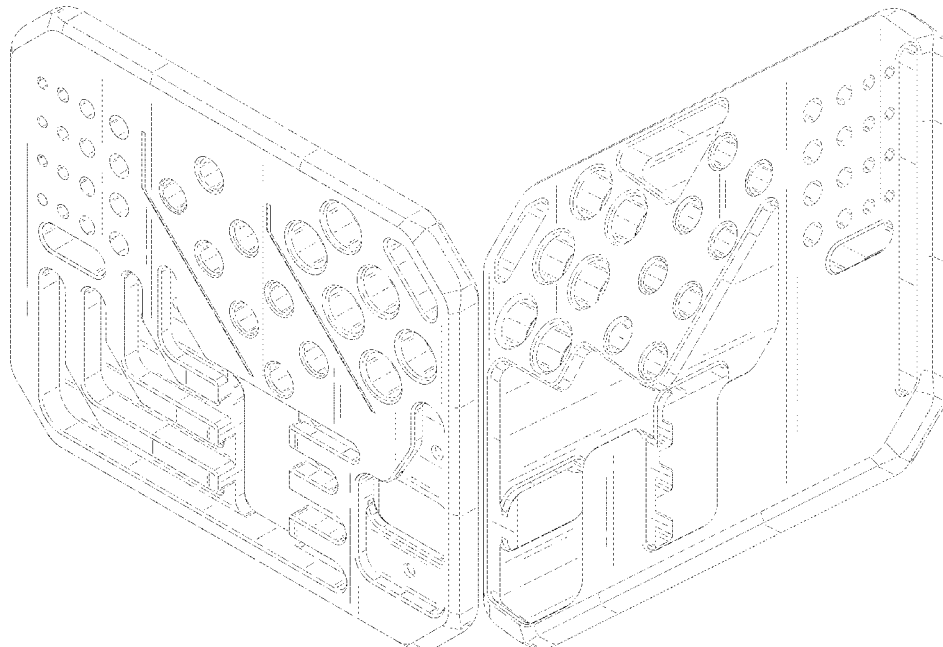
(57) **CLAIM**

The ornamental design for a screws and hex key storage plate kit, as shown and described.

DESCRIPTION

FIG. 1 is a front, right and top perspective view of a screws and hex key storage plate kit showing my new design; FIG. 2 is a rear, left and bottom perspective view thereof; FIG. 3 is a front view thereof; FIG. 4 is a rear view thereof; FIG. 5 is a left view thereof; FIG. 6 is a right view thereof; FIG. 7 is a top view thereof; and, FIG. 8 is a bottom view thereof.

1 Claim, 8 Drawing Sheets



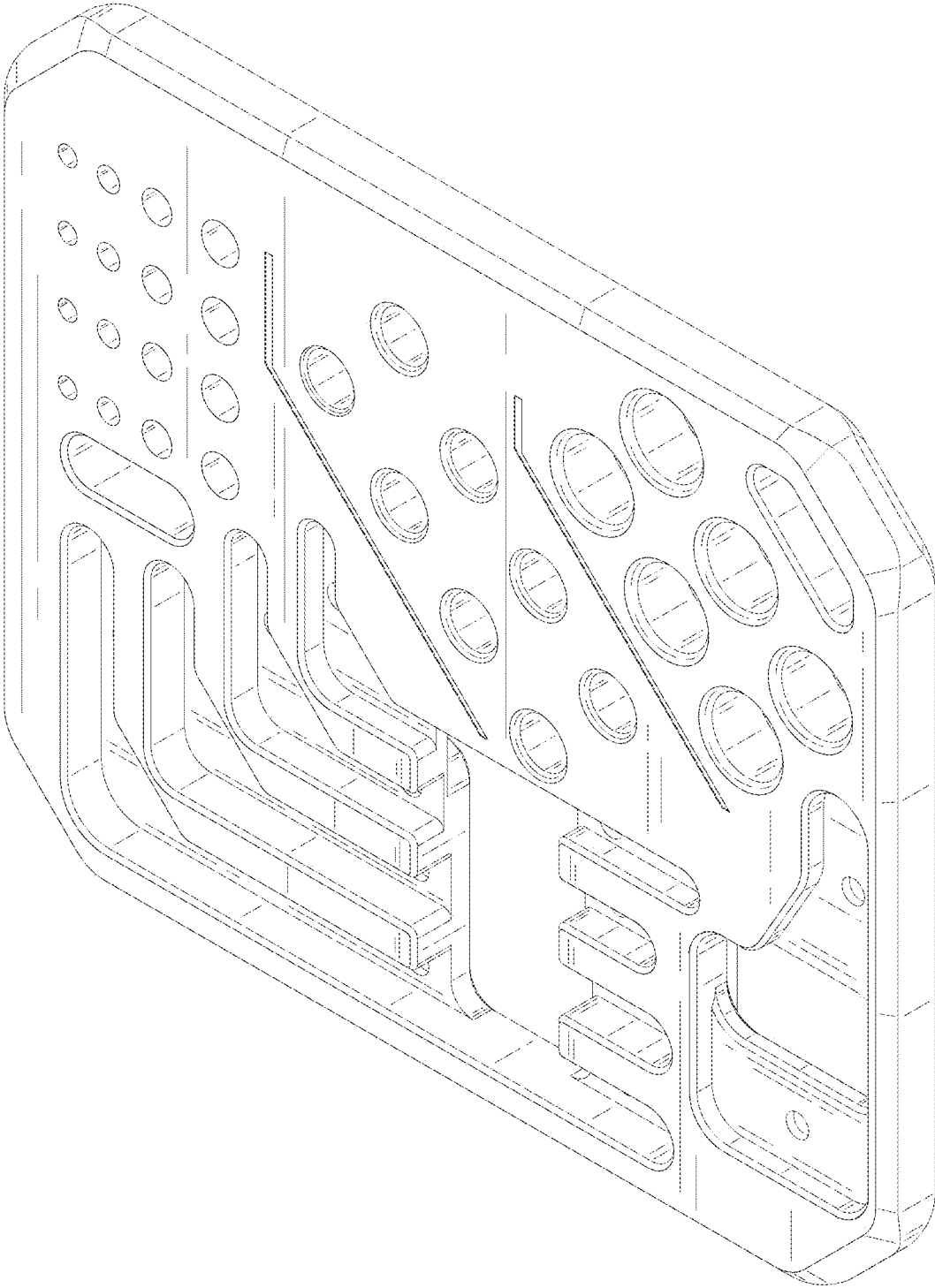


FIG. 1

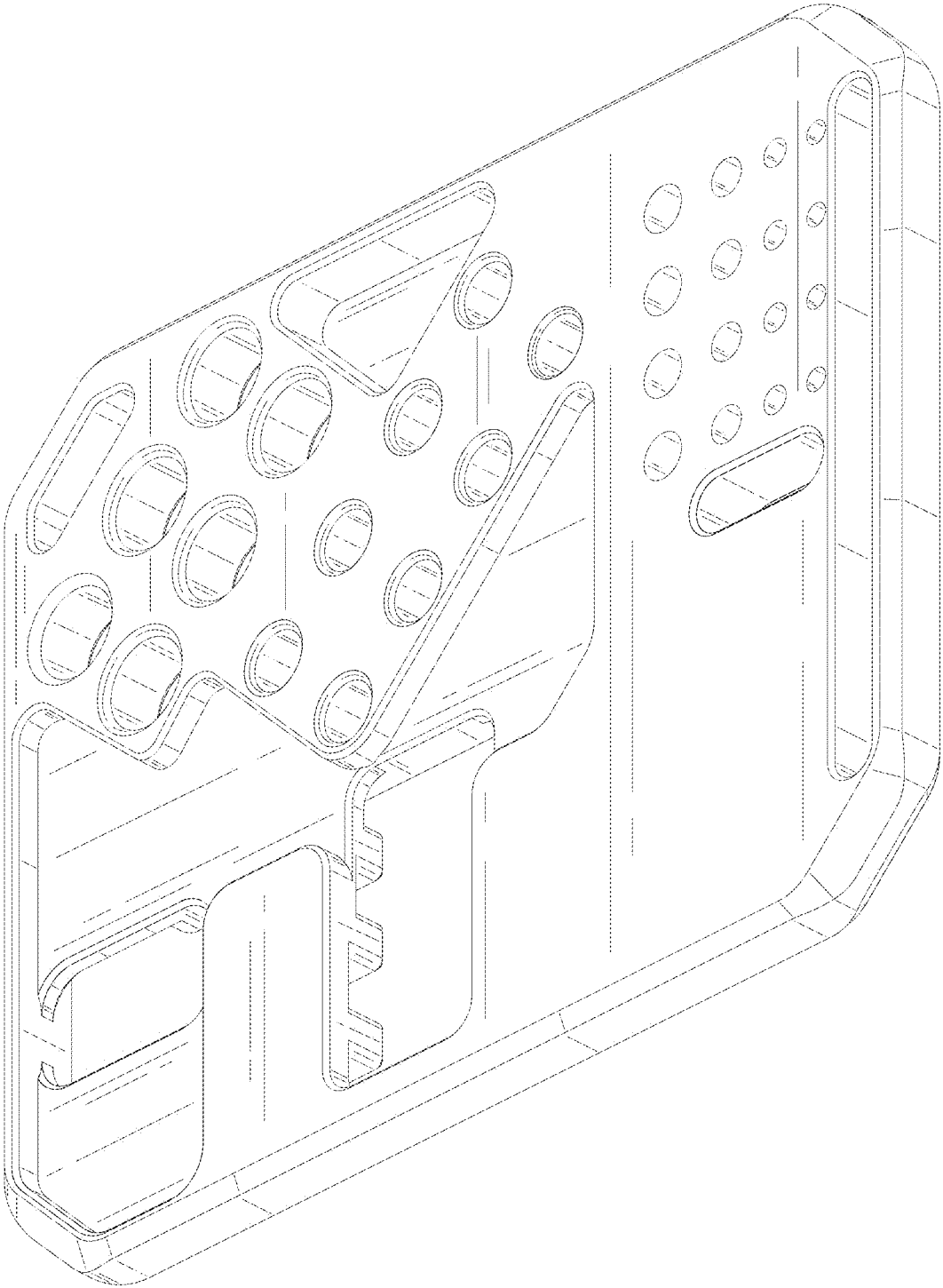


FIG. 2

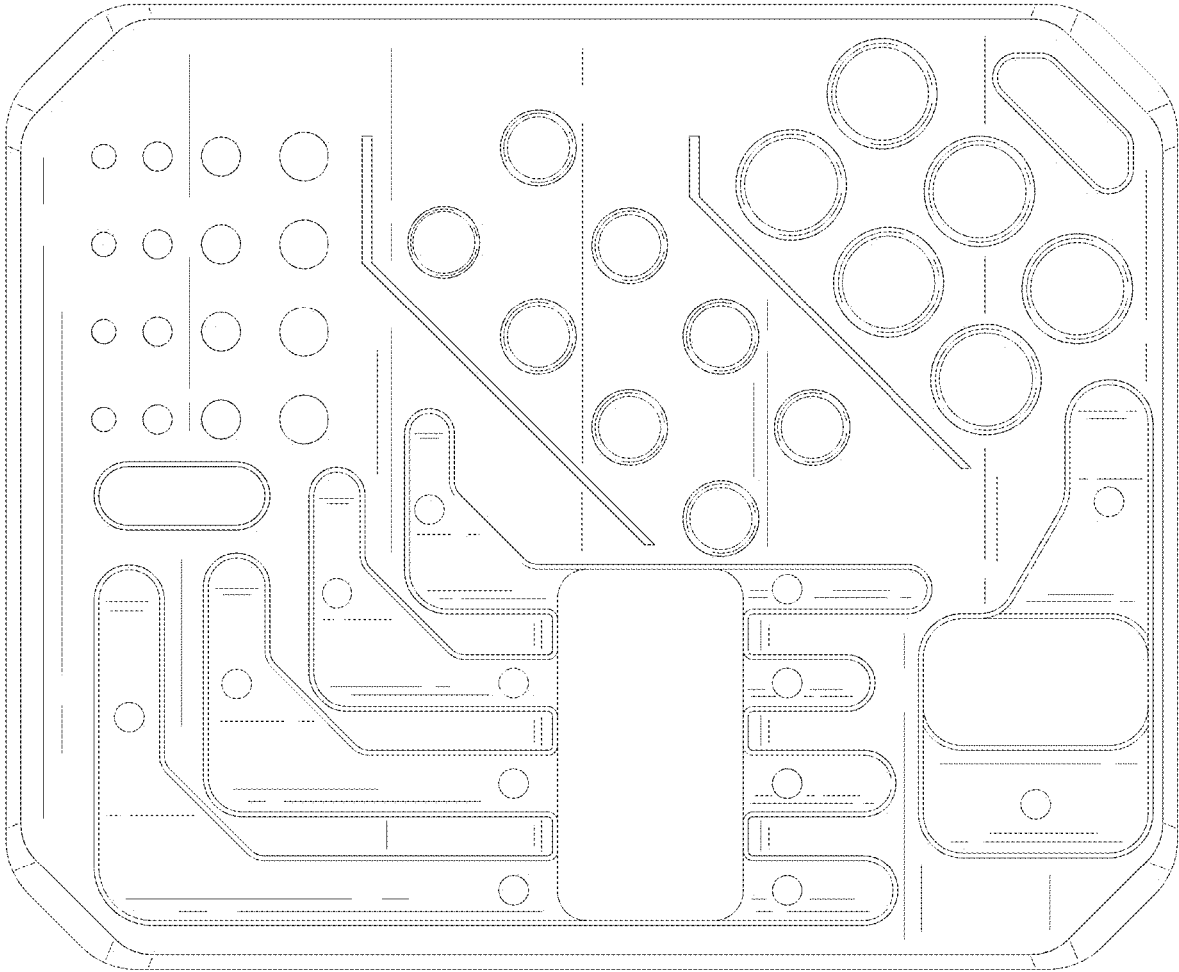


FIG. 3

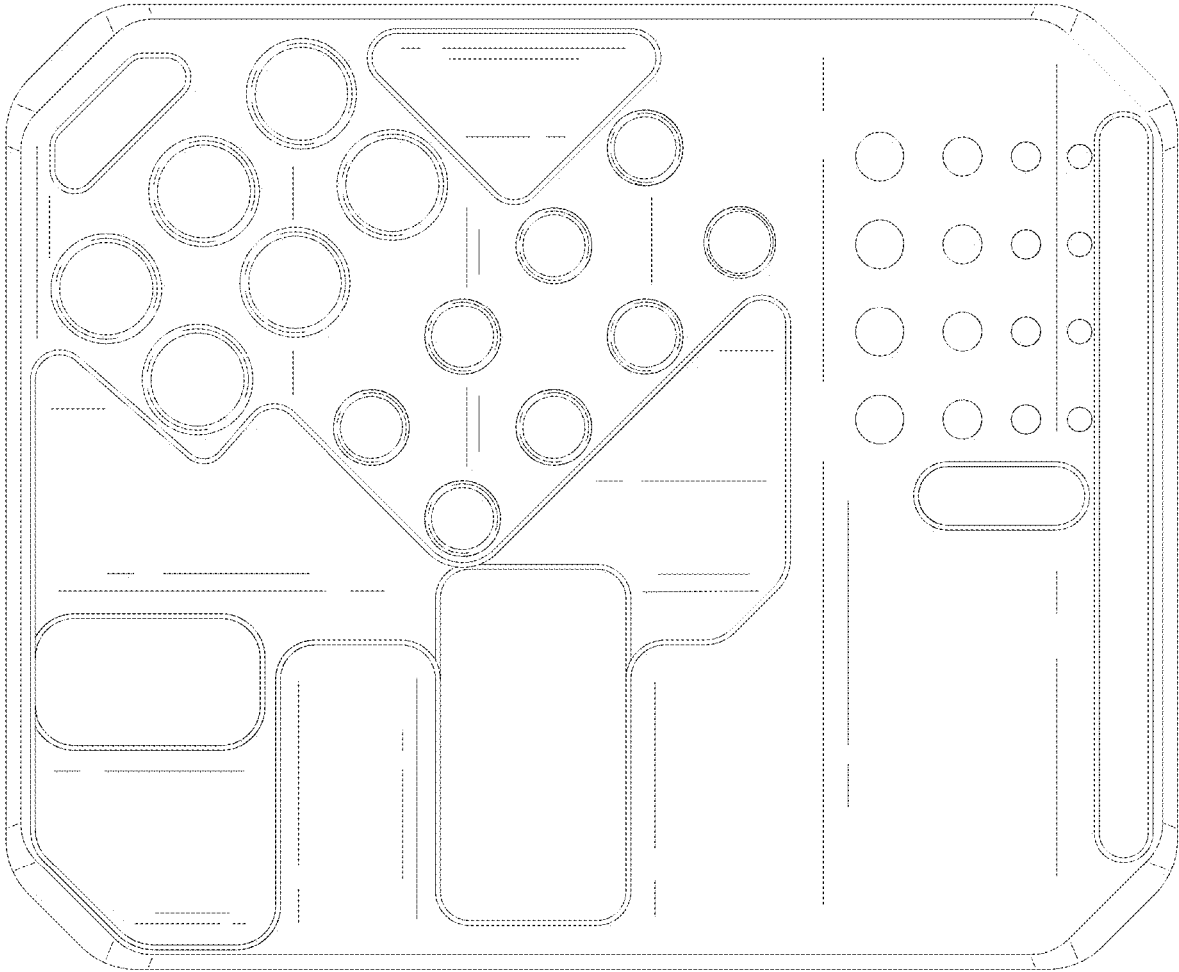


FIG. 4

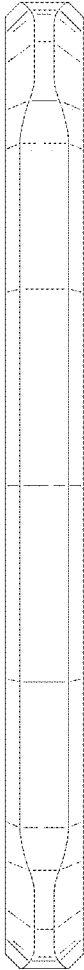


FIG. 5



FIG. 6



FIG. 7

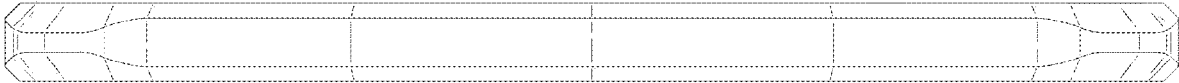


FIG. 8